



US00D884805S

(12) **United States Design Patent**
Pan

(10) **Patent No.:** **US D884,805 S**

(45) **Date of Patent:** **** May 19, 2020**

- (54) **LACROSSE**
- (71) Applicant: **Hongwei Pan**, Zhuhai (CN)
- (72) Inventor: **Hongwei Pan**, Zhuhai (CN)
- (73) Assignee: **Zhuhai Feiyao Sports Co., Ltd.**,
Zhuhai (CN)
- (**) Term: **15 Years**
- (21) Appl. No.: **29/676,136**
- (22) Filed: **Jan. 8, 2019**
- (51) **LOC (12) Cl.** **21-02**
- (52) **U.S. Cl.**
USPC **D21/724**
- (58) **Field of Classification Search**
USPC D21/722, 724
CPC A63B 59/20; A63B 65/122; A63B 65/125;
A63B 65/127; A63B 60/50; A63B 60/51;
A63B 60/52; A63B 60/00; A63B 60/46
See application file for complete search history.

- 7,736,251 B2 * 6/2010 Rogers A63B 59/20
473/513
- 7,736,252 B2 * 6/2010 Tucker, Jr. A63B 59/20
473/513
- 8,267,814 B1 * 9/2012 Kohler A63B 59/20
473/513
- D750,185 S * 2/2016 Burns D21/724
- D798,401 S * 9/2017 Kenneally D21/724
- D798,402 S * 9/2017 Kenneally D21/724
- D860,360 S * 9/2019 Soviero D21/753

* cited by examiner

Primary Examiner — Mitchell I. Siegel

(57) **CLAIM**

The ornamental design for a lacrosse, as shown and described.

DESCRIPTION

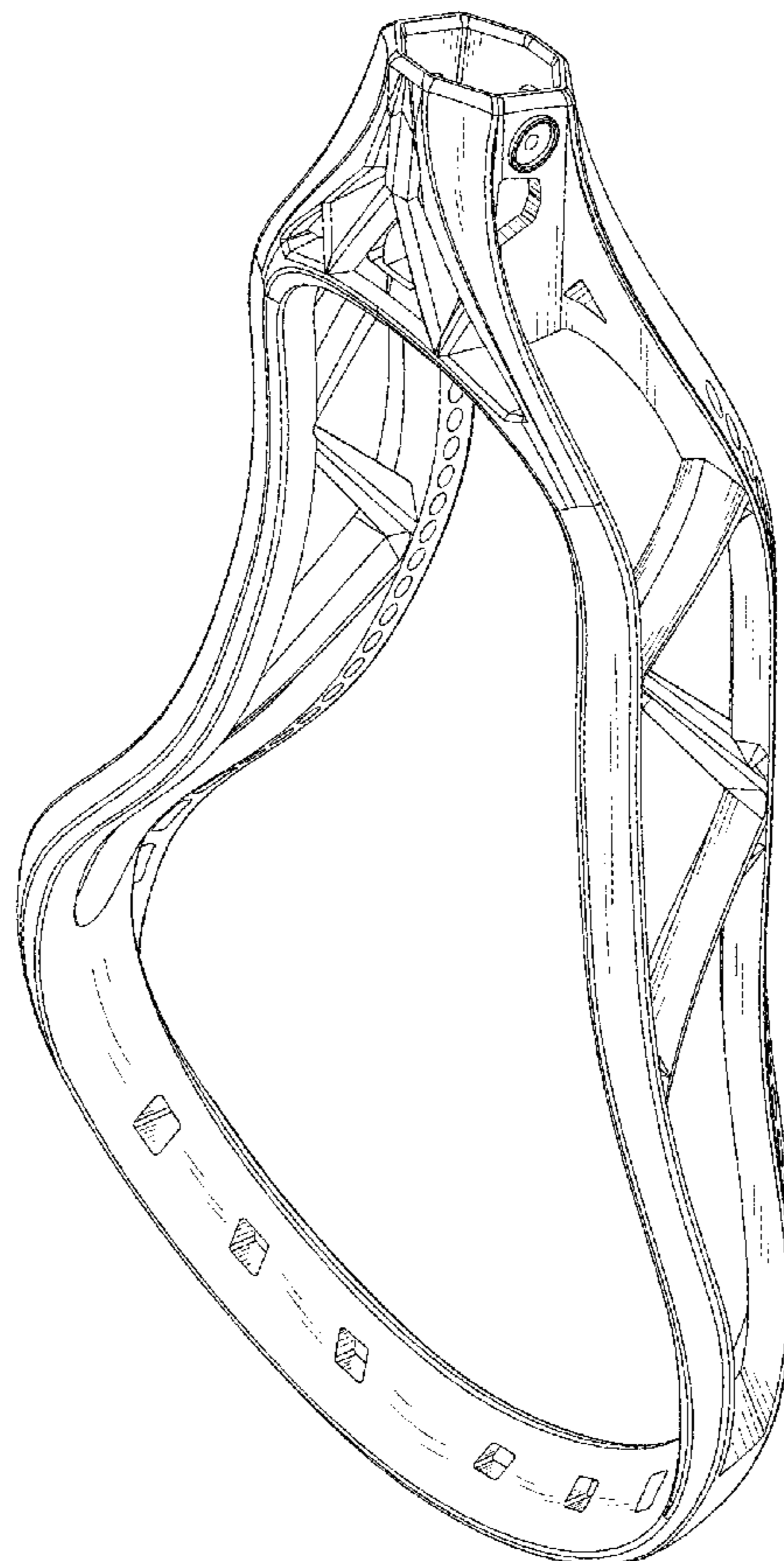
FIG. 1 is a front perspective view of the lacrosse showing my new design;
 FIG. 2 is a rear perspective view thereof;
 FIG. 3 is a front elevational view thereof;
 FIG. 4 is a rear elevational view thereof;
 FIG. 5 is a left side elevational view thereof;
 FIG. 6 is a right side elevational view thereof;
 FIG. 7 is a top plan view thereof; and,
 FIG. 8 is a bottom plan view thereof.

1 Claim, 7 Drawing Sheets

(56) **References Cited**

U.S. PATENT DOCUMENTS

- 6,902,501 B2 * 6/2005 Morrow A63B 59/30
473/513
- 7,585,234 B2 * 9/2009 Reeb A63B 59/20
473/513



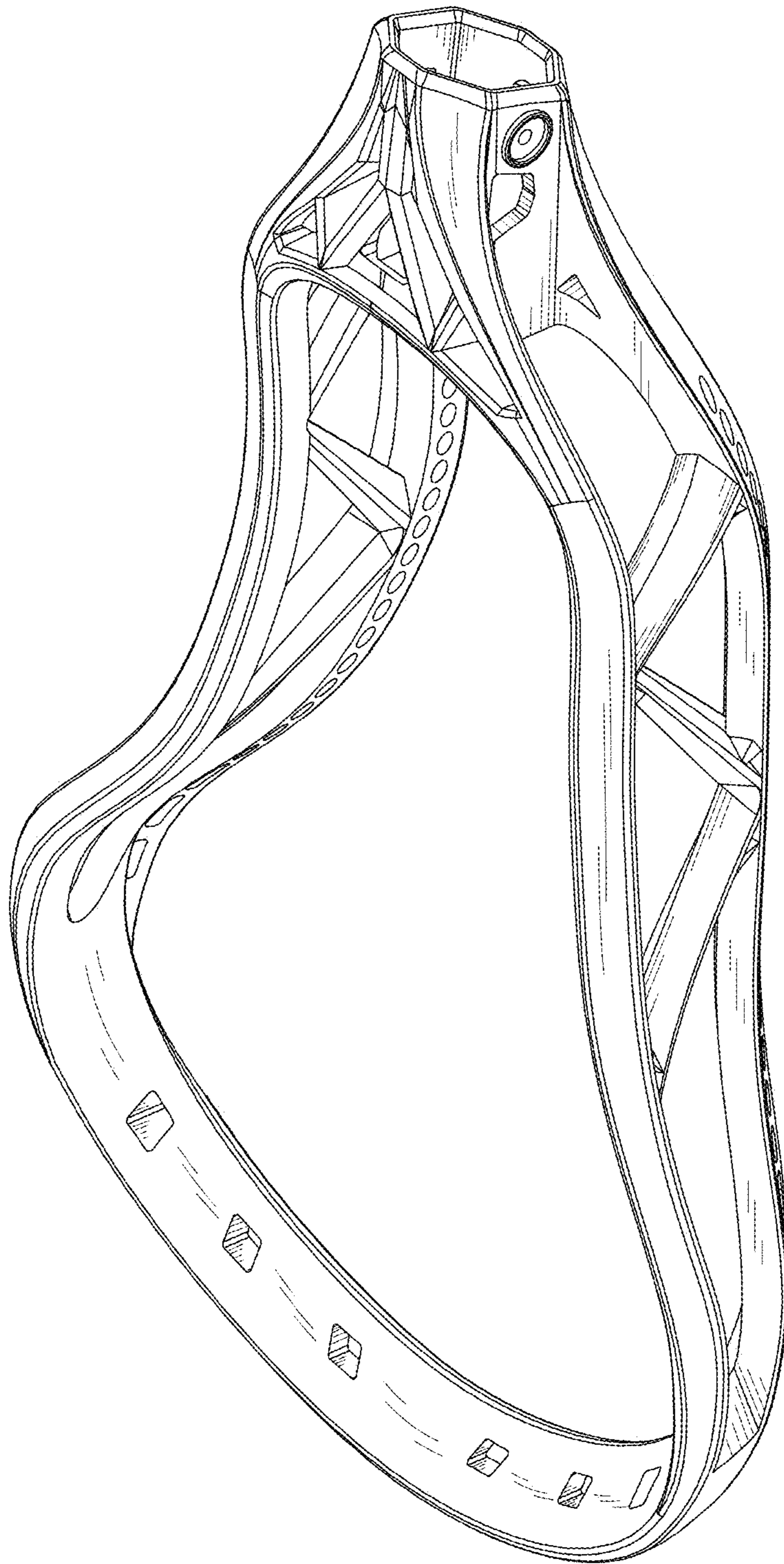


FIG. 1

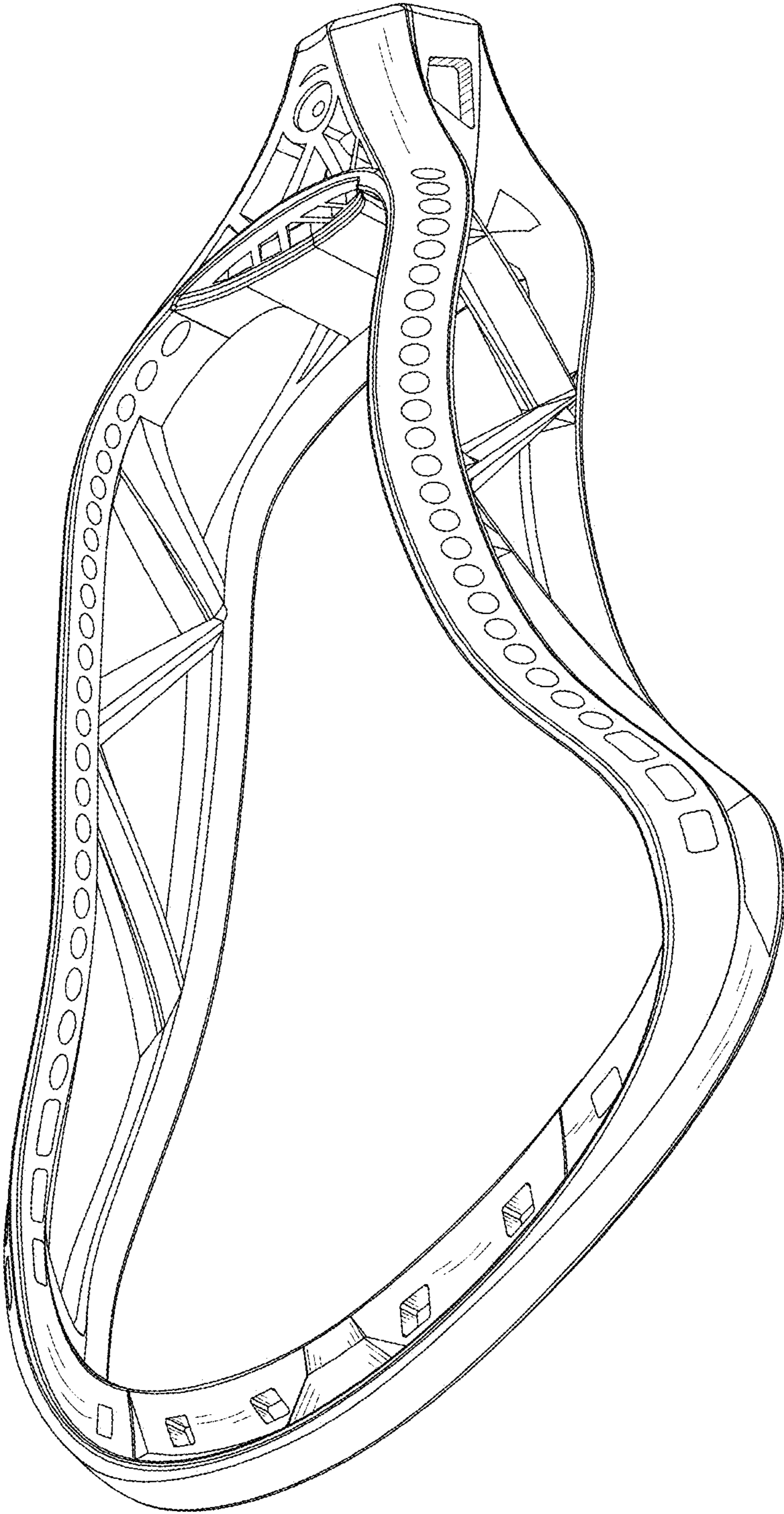


FIG.2

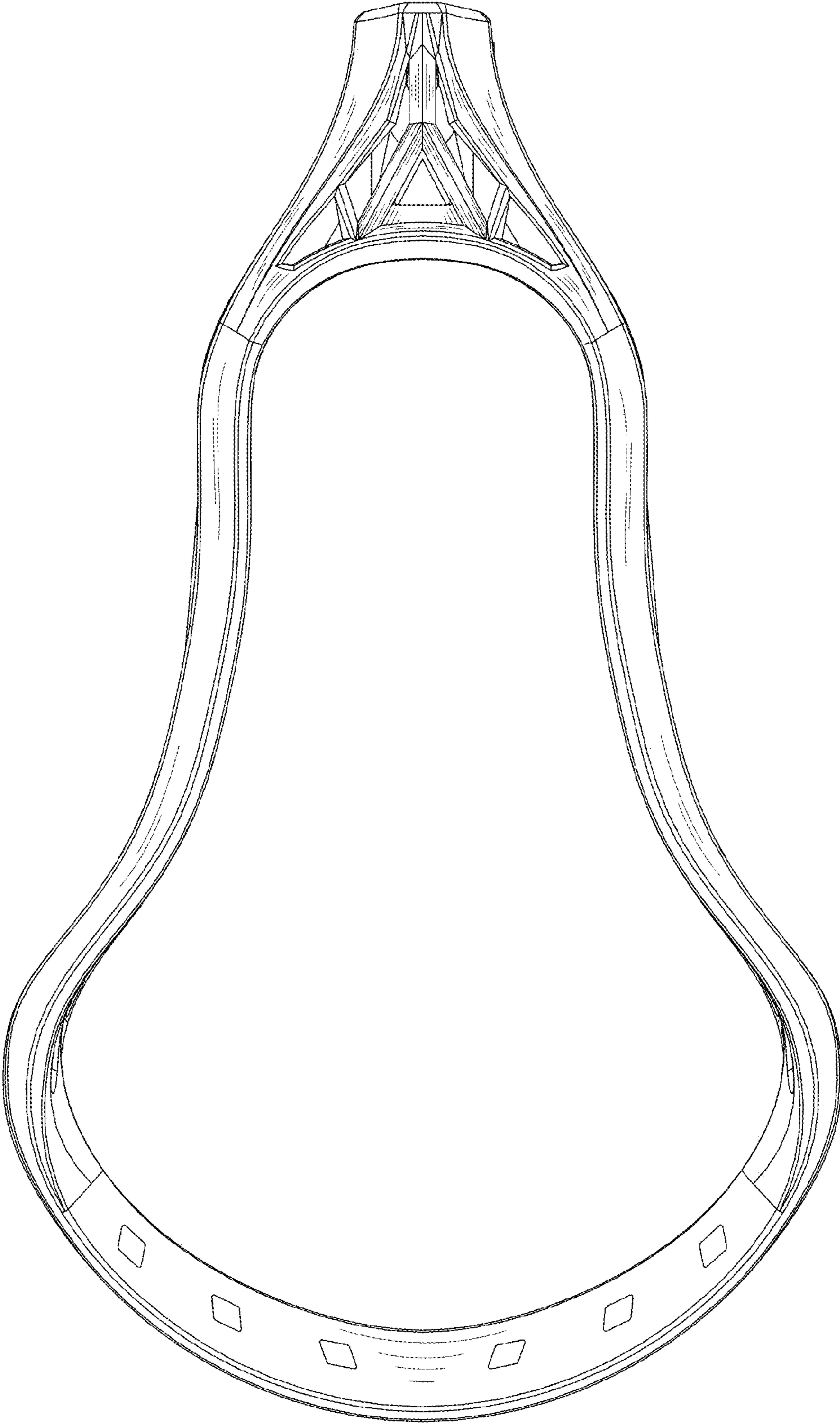


FIG.3

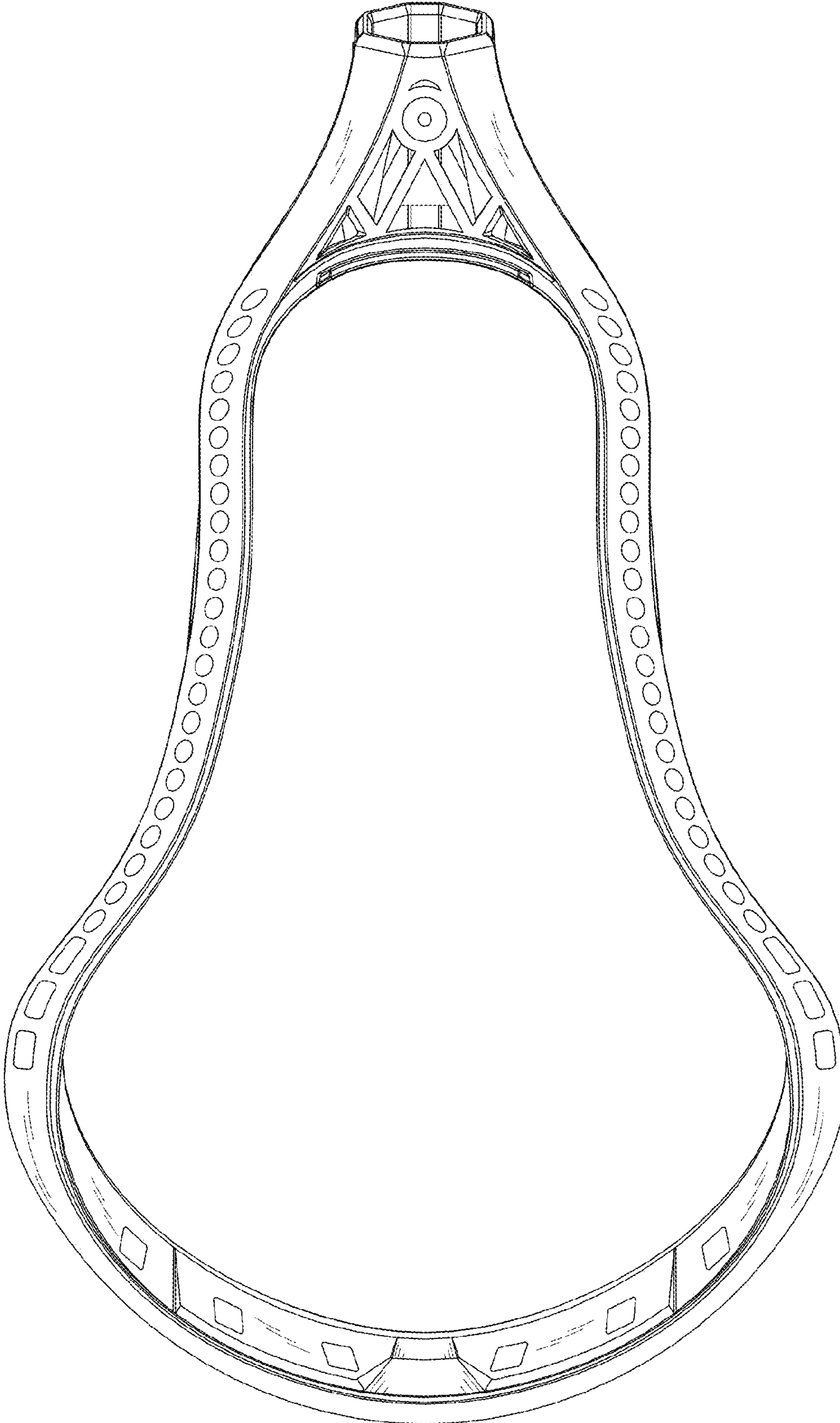


FIG.4

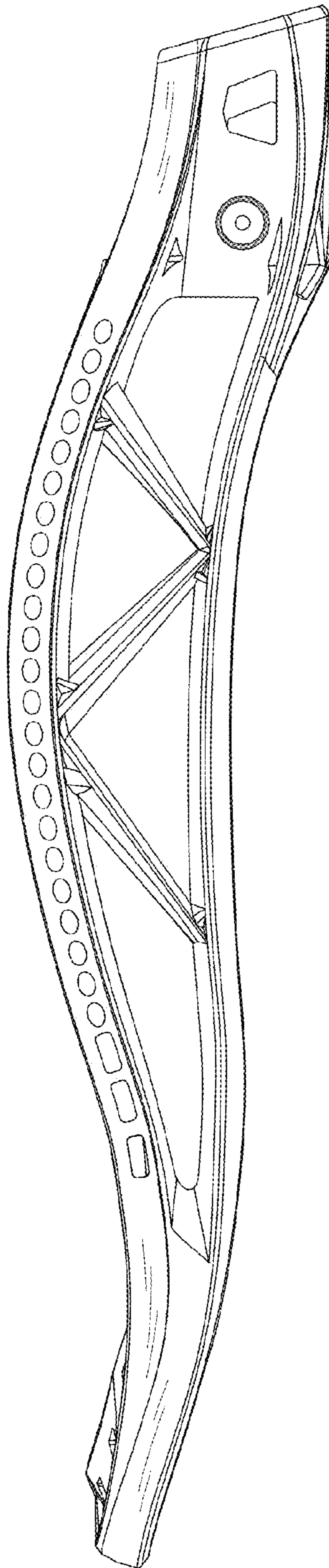


FIG.5

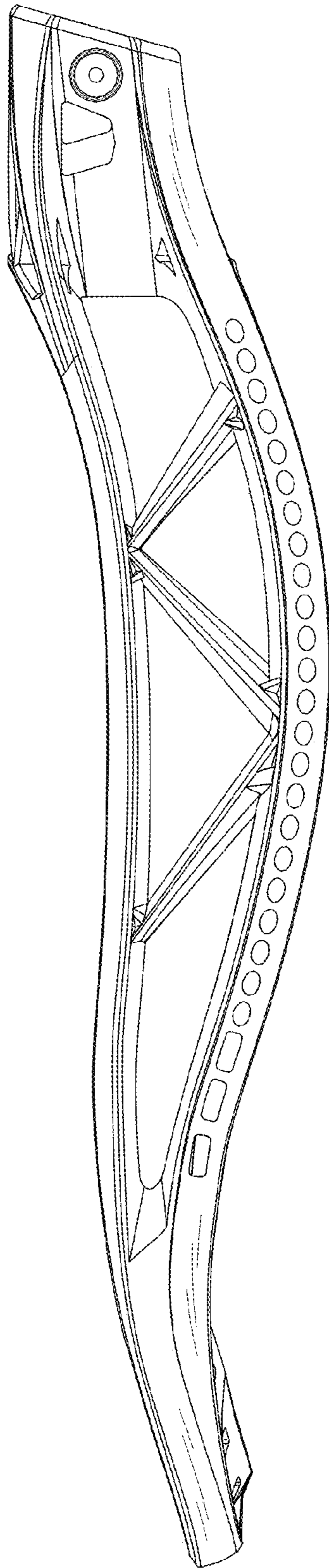


FIG.6

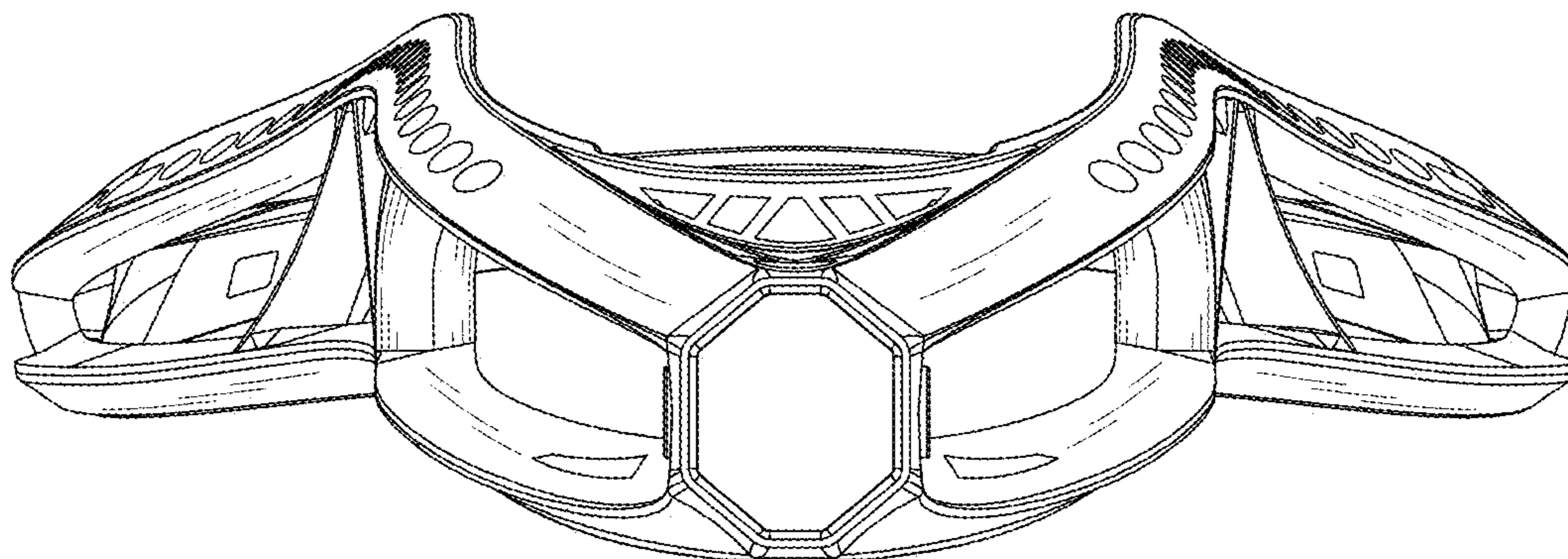


FIG. 7

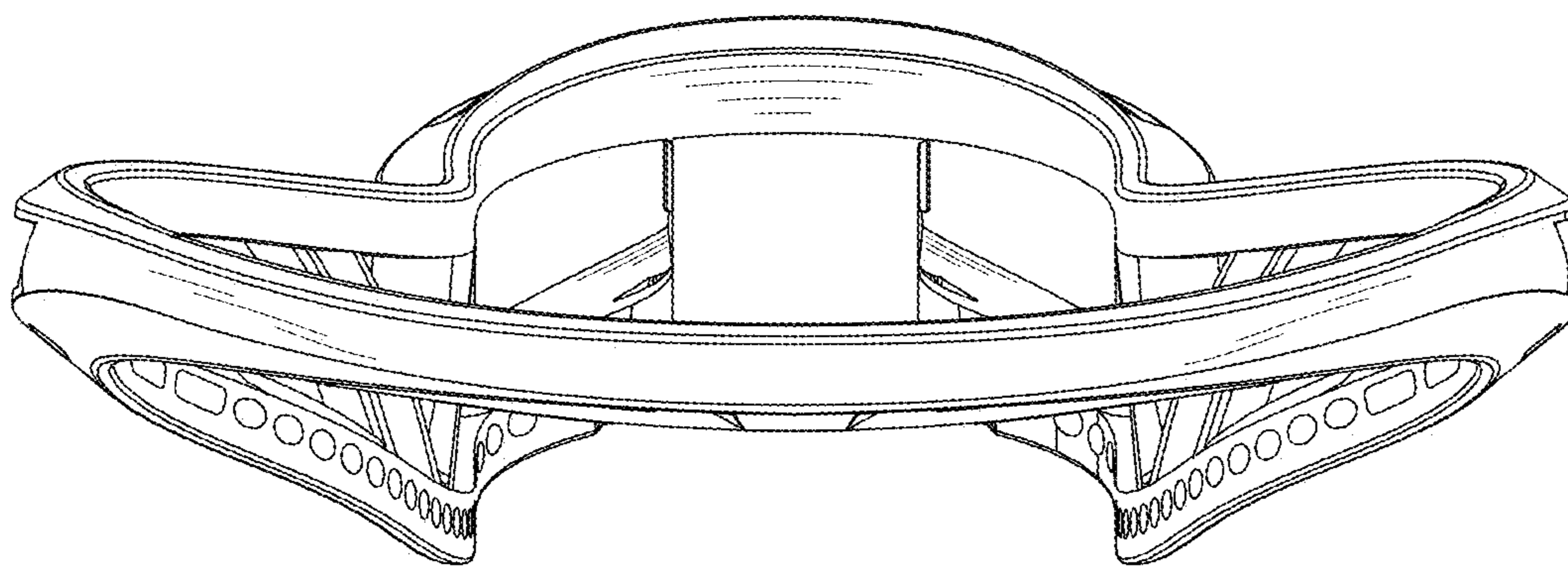


FIG. 8