



US00D884804S

(12) **United States Design Patent** (10) **Patent No.:** **US D884,804 S**
Ross (45) **Date of Patent:** **** May 19, 2020**

(54) **FOAM ROLLER**

(71) Applicant: **Exemplar Design, LLC**, Mason, OH (US)

(72) Inventor: **Adam L. Ross**, Mason, OH (US)

(73) Assignee: **Exemplar Design, LLC**, Mason, OH (US)

(**) Term: **15 Years**

(21) Appl. No.: **29/665,324**

(22) Filed: **Oct. 2, 2018**

(51) **LOC (12) Cl.** **21-02**

(52) **U.S. Cl.**
USPC **D21/662**; D24/211

(58) **Field of Classification Search**
USPC ... 482/106, 51, 93, 109, 110, 139, 142, 148, 482/44, 45, 46, 141, 95, 50, 129, 127; D21/680, 798, 692, 662, 804, 686, 671, D21/691, 682, 694, 687, 654, 487, 679, D21/684, 688, 412, 685, 400, 791, 725, D21/386; D24/188, 211, 141, 215, 190, D24/200, 231, 106, 171; D30/160, 119; D6/601, 598, 604, 691.4, 597, 348, 361, D6/596, 606; 601/112, 121, 122, 46, 15, 601/19, 120, 134, 135, 131; 220/4.07, 220/4.24, 4.27, 666; D3/307, 290, 299, D3/289, 287, 254, 246, 228, 302, 300, D3/301, 276, 11; 476/256, 519, 549, 476/558, 559, 564, 118, 457, 219, 513, 476/560, 568, 409; D7/608; D9/695, D9/711
CPC A61H 15/0092; A61H 2015/0014; A61H 15/00; A61H 2201/1284; A61H 2201/1695; A61H 2201/1253; A61H 2015/0021; A61H 2205/081; A61H 2015/0042; A63B 23/14; A63B 2023/006; A63B 21/4035; A63B 43/00

See application file for complete search history.

(56) **References Cited**

U.S. PATENT DOCUMENTS

D119,035 S *	2/1940	Lindgren	D24/212
D166,659 S *	5/1952	Colotti	D28/90
D177,529 S *	4/1956	McDermott	D24/212
D223,614 S *	5/1972	Koolbergen	D21/679
3,705,579 A *	12/1972	Morini	A61H 15/00 601/121
D253,373 S *	11/1979	Celeste	601/121
D256,841 S *	9/1980	Corbett	D24/211
4,648,387 A *	3/1987	Simmons	A61H 15/0092 482/79
D299,974 S *	2/1989	Schmitt	401/208

(Continued)

OTHER PUBLICATIONS

Gunnar Foam Roller by Gunnar dated no date given. Found online [Mar. 16, 2020]. <https://shop.gunnarpeterson.com/collections/frontpage/products/gunnar-peterson-foam-roller>.*

Primary Examiner — Ryan Harvey

(74) *Attorney, Agent, or Firm* — BakerHostetler

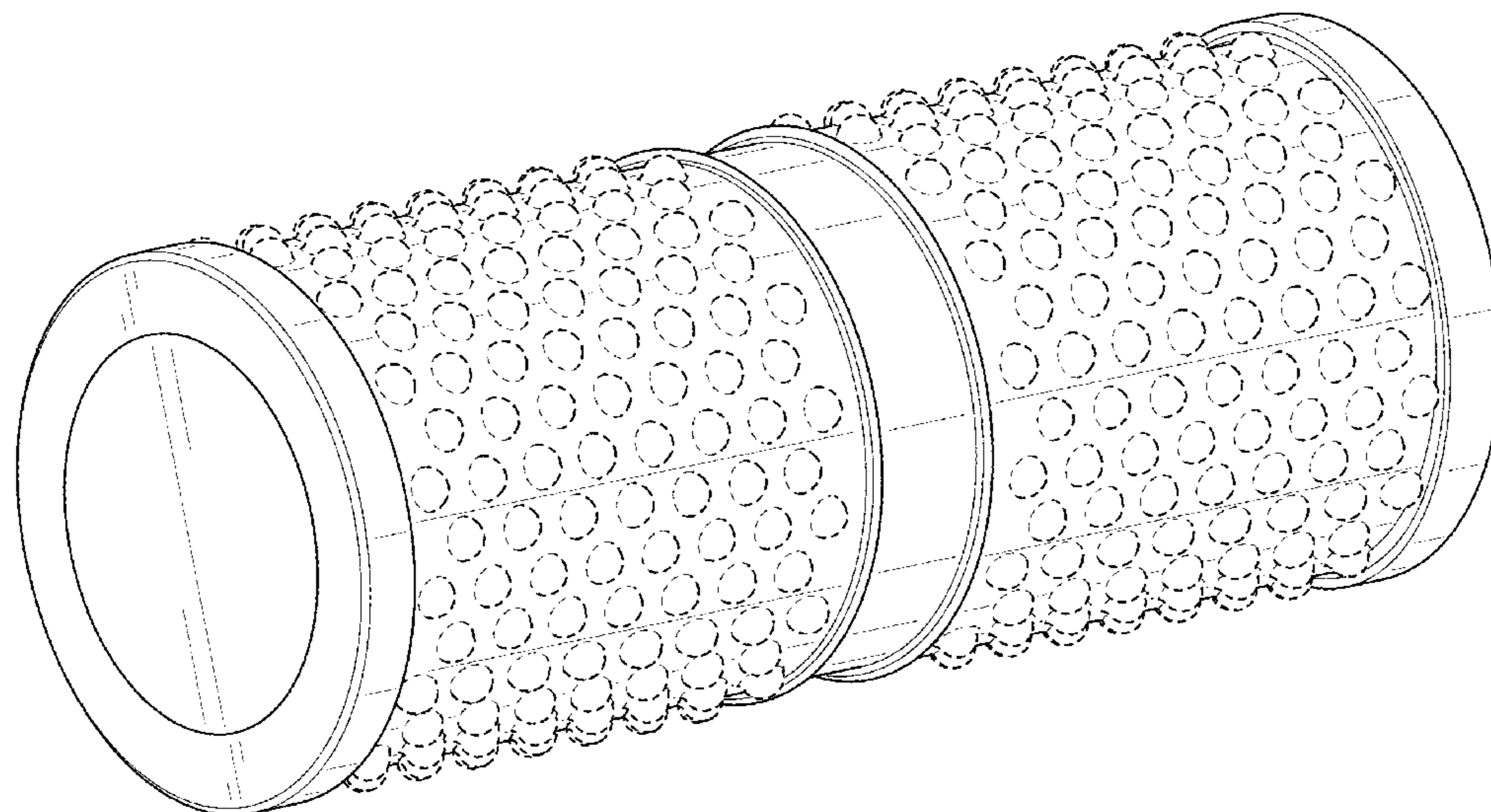
(57) **CLAIM**

I claim the ornamental design for a foam roller, as shown and described.

DESCRIPTION

FIG. 1 is a top perspective view of the foam roller showing my new design;
FIG. 2 is a front side elevation view thereof;
FIG. 3 is a back side elevation view thereof;
FIG. 4 is a left side elevation view thereof;
FIG. 5 is a right side elevation view thereof;
FIG. 6 is a top plan view thereof; and,
FIG. 7 is a bottom plan view thereof.
The broken lines shown in the drawings depict therapeutic portions of the foam roller that form no part of the claimed design.

1 Claim, 6 Drawing Sheets



(56)

References Cited

U.S. PATENT DOCUMENTS

4,807,603	A *	2/1989	Yasui	A61H 15/00 601/121
4,896,758	A *	1/1990	Hoszowski	B60B 19/12 193/37
D369,361	S *	4/1996	Satake	D15/131
D399,569	S *	10/1998	Wier	D24/212
D417,319	S *	11/1999	Weiss, Jr.	D30/119
6,106,438	A *	8/2000	Dean	A63B 23/14 127/45
6,129,687	A *	10/2000	Powell	A61H 15/02 220/4.07
6,398,694	B1 *	6/2002	Bountourakis	A63B 21/015 482/109
D469,135	S *	1/2003	Bell	D21/662
6,694,550	B2 *	2/2004	Lee	A47C 20/021 5/632
6,764,456	B1 *	7/2004	Doherty	A61H 15/00 601/118
D505,291	S *	5/2005	Dalset	D6/601
6,990,699	B2 *	1/2006	Hedges	A47G 9/1081 128/845
7,108,646	B1 *	9/2006	Quick	A47D 13/08 482/132
D546,402	S *	7/2007	Sonnier	D21/662
D563,557	S *	3/2008	Fink	D24/200
D567,951	S *	4/2008	Fink	D24/200
D567,952	S *	4/2008	Fink	D24/200
D567,953	S *	4/2008	Fink	D24/200
D567,954	S *	4/2008	Fink	D24/200
D567,955	S *	4/2008	Fink	D24/200
D573,262	S *	7/2008	Soucy	D24/211
D637,244	S *	5/2011	Davis	D21/662
D643,540	S *	8/2011	Jian	D24/211
D647,980	S *	11/2011	Davis	D21/662
D657,830	S *	4/2012	Guarrasi	D21/662
D660,450	S *	5/2012	Johnson	D24/215
D670,817	S *	11/2012	Narevsky	D24/211
D688,756	S *	8/2013	Wauldron	D21/662
D693,934	S *	11/2013	Lin	D24/215
D700,346	S *	2/2014	Palizzi	D24/211
D700,709	S *	3/2014	Khodabakhshian	D24/211
D713,050	S *	9/2014	Kao	A61H 15/00 D24/211
8,821,352	B2 *	9/2014	Crowell	A61H 15/0092 482/11
D714,952	S *	10/2014	Gonglach	A61H 15/00 D24/211
D721,183	S *	1/2015	Mallory	D24/211
D724,750	S *	3/2015	Taylor	D24/211
D732,311	S *	6/2015	Lord	D6/601
D732,680	S *	6/2015	Taylor	D24/211
D734,480	S *	7/2015	Jones	D24/211
D736,398	S *	8/2015	Kwon	D24/211
D737,456	S *	8/2015	McDonough	A61H 15/0092 D24/211
D744,112	S *	11/2015	Phillips	D24/211
D750,841	S *	3/2016	Lewis	D24/211
D755,304	S *	5/2016	Ackerman	D21/662
D764,066	S *	8/2016	Somjee	D24/211
D785,103	S *	4/2017	Townsend	D21/662
D787,267	S *	5/2017	Maas	D7/510
D788,313	S *	5/2017	Lawrie	D24/211
9,668,933	B1 *	6/2017	Johnson	A61H 15/00
9,694,226	B1 *	7/2017	Vargas	A61H 1/02
D794,814	S *	8/2017	Higgins	D24/211
D797,951	S *	9/2017	Miklavc	D24/215
9,763,850	B2 *	9/2017	Cheng	A61H 15/00
D800,330	S *	10/2017	Loos	D24/211
D805,649	S *	12/2017	Mizelle	D24/211
D806,477	S *	1/2018	Wray	D7/511
D809,612	S *	2/2018	Ganea	D21/662
D810,955	S *	2/2018	Miklavc	D24/215
D818,598	S *	5/2018	Cox	D24/211
D819,149	S *	5/2018	Zhang	D21/691
9,968,513	B1 *	5/2018	Marton	A61H 15/00
D822,772	S *	7/2018	Jorgenson	D21/662
D825,695	S *	8/2018	Kim	D21/662
D827,847	S *	9/2018	Downare	D24/211
D829,920	S *	10/2018	Carpinelli	D24/211
2002/0193714	A1 *	12/2002	Pecora	A61H 15/00 601/121
2004/0204664	A1 *	10/2004	Chu	A61H 7/001 601/121
2008/0090707	A1 *	4/2008	Dye	A61H 15/0092 482/132
2008/0096740	A1 *	4/2008	Nichols	A63B 22/16 482/121
2009/0112137	A1 *	4/2009	Lamore	A63B 21/0004 601/112
2009/0176635	A1 *	7/2009	Brinson	A61H 7/001 482/141
2012/0035029	A1 *	2/2012	Dye	A61H 15/0092 482/132
2012/0065557	A1 *	3/2012	Phillips	A61H 15/0092 601/99
2013/0096472	A1 *	4/2013	Bertram	A61H 15/0092 601/120
2013/0178768	A1 *	7/2013	Dalebout	A61H 15/0092 601/46
2013/0261517	A1 *	10/2013	Rodgers	A61H 7/00 601/121
2014/0336022	A1 *	11/2014	Jones	A63B 23/00 482/132
2014/0371639	A1 *	12/2014	Diecidue	A61H 15/00 601/19
2015/0005146	A1 *	1/2015	Chen	A63B 21/00047 482/142
2015/0045707	A1 *	2/2015	Selvaggio	A61H 15/0092 601/118
2015/0057579	A1 *	2/2015	Martinez	A61H 15/02 601/19
2015/0073321	A1 *	3/2015	Taylor	A61H 15/0092 601/118
2015/0209220	A1 *	7/2015	Lin	A61H 15/0092 601/119
2015/0245977	A1 *	9/2015	Sungarian	A61H 15/00 601/118
2016/0008692	A1 *	1/2016	Townsend	A45C 9/00 206/315.1
2016/0074274	A1 *	3/2016	Mallory	A61H 15/0092 601/119
2016/0279009	A1 *	9/2016	Somjee	A61H 7/007
2017/0042756	A1 *	2/2017	Nelson	A61H 15/00
2017/0065482	A1 *	3/2017	Downare	A61H 15/00
2018/0042806	A1 *	2/2018	West	A61H 15/0092
2018/0133096	A1 *	5/2018	Loos	A61H 15/00

* cited by examiner

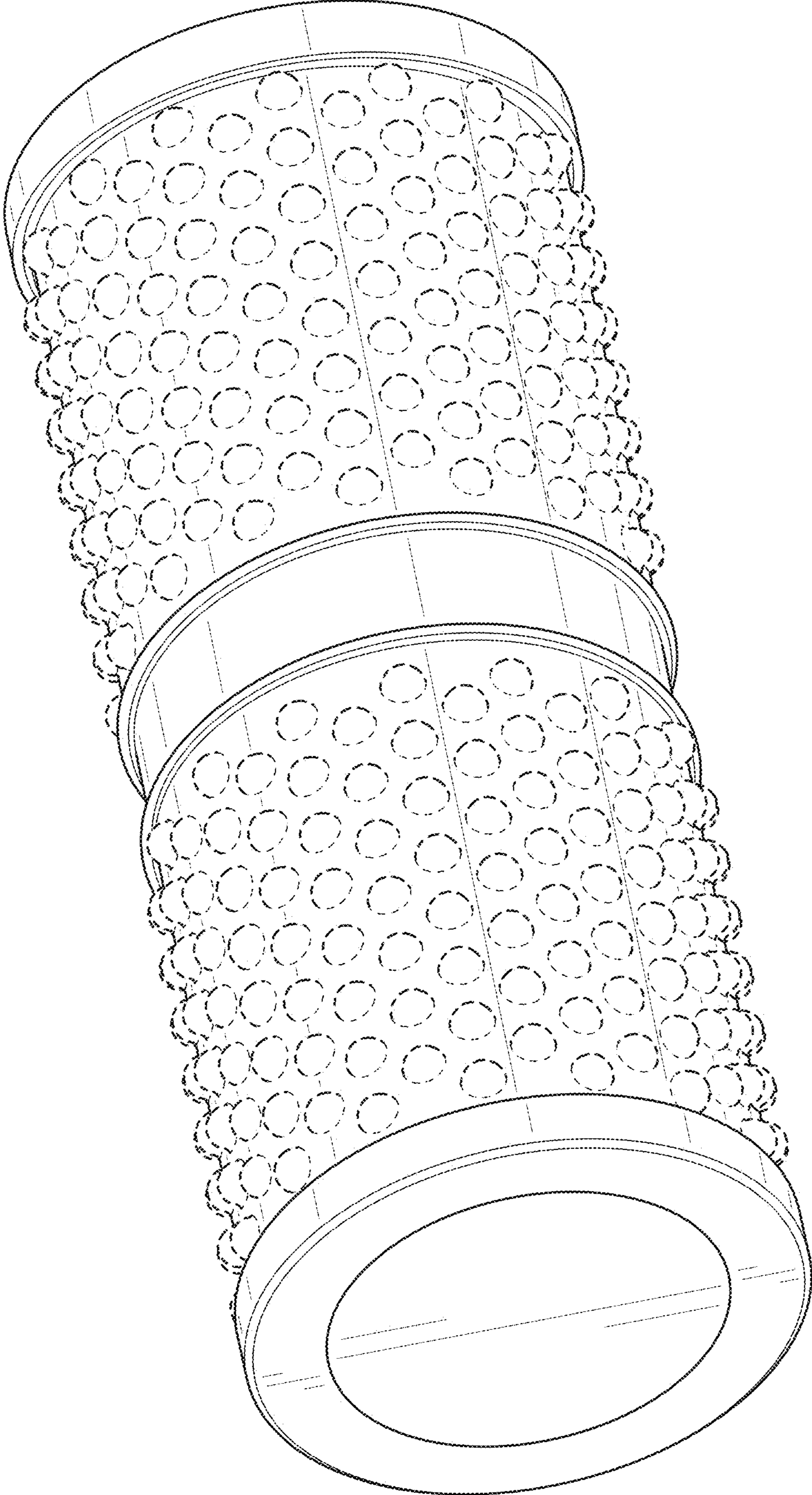


FIG. 1

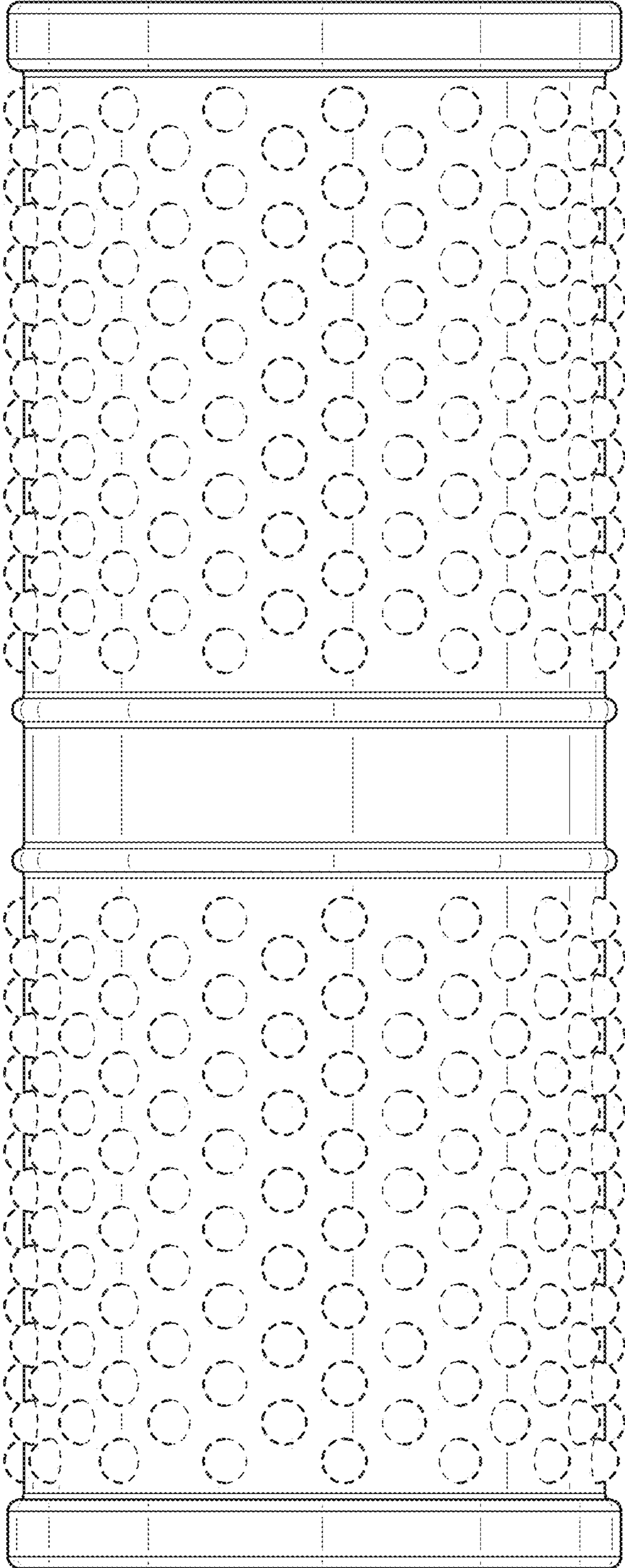


FIG. 2

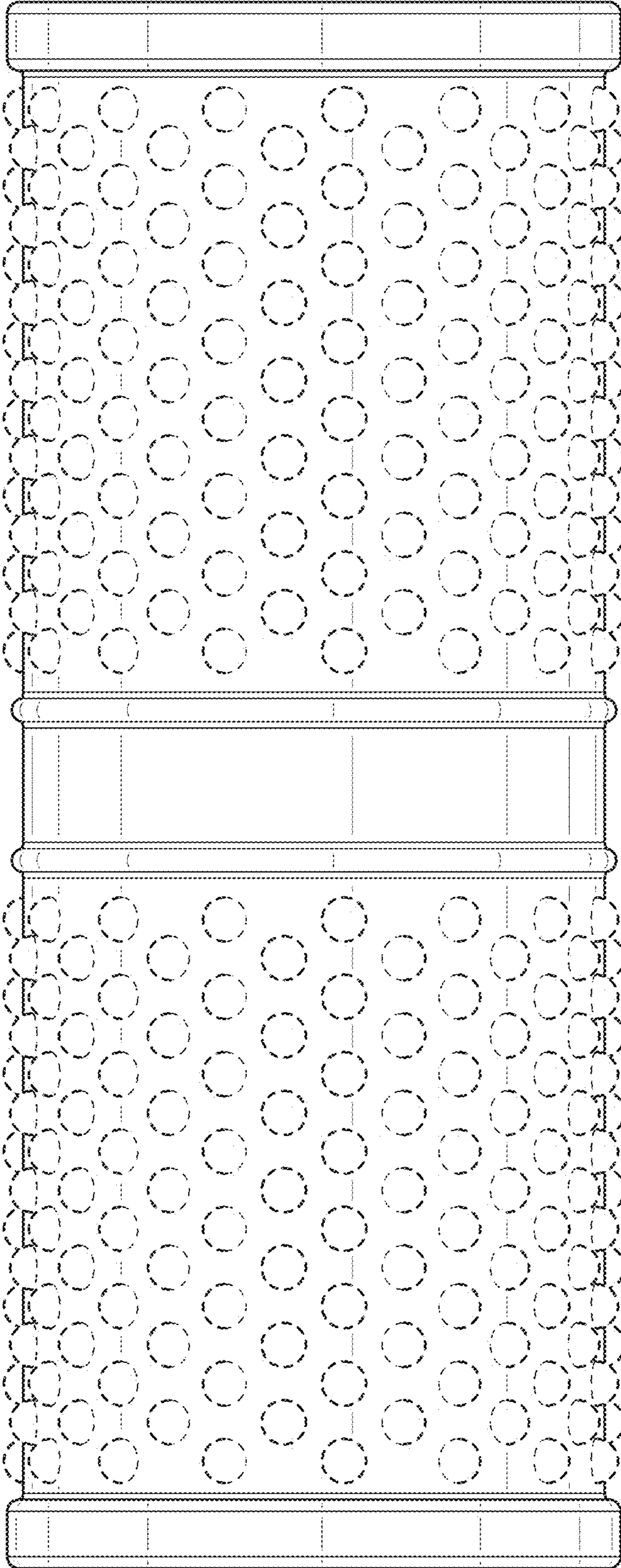


FIG. 3

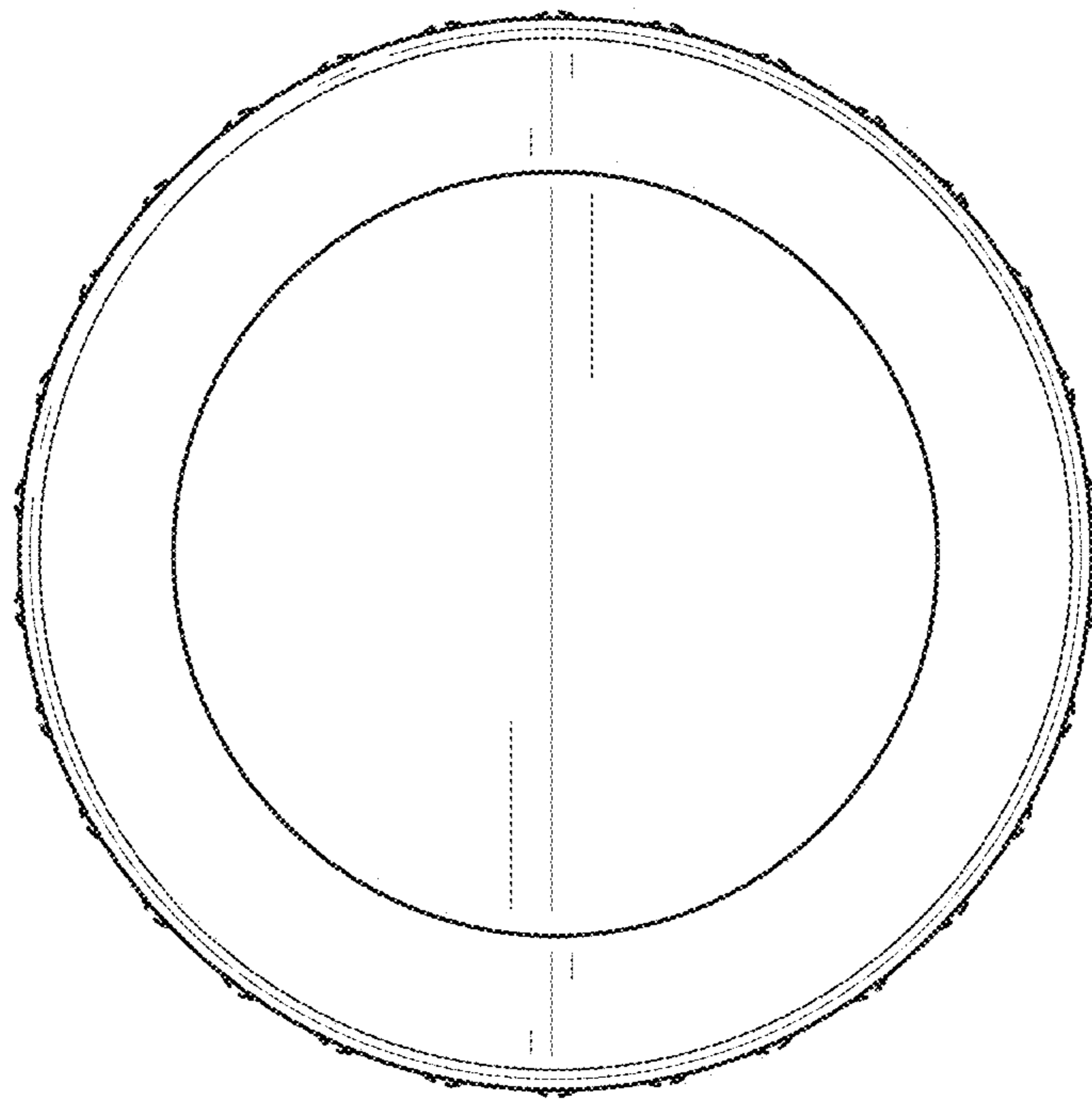


FIG. 4

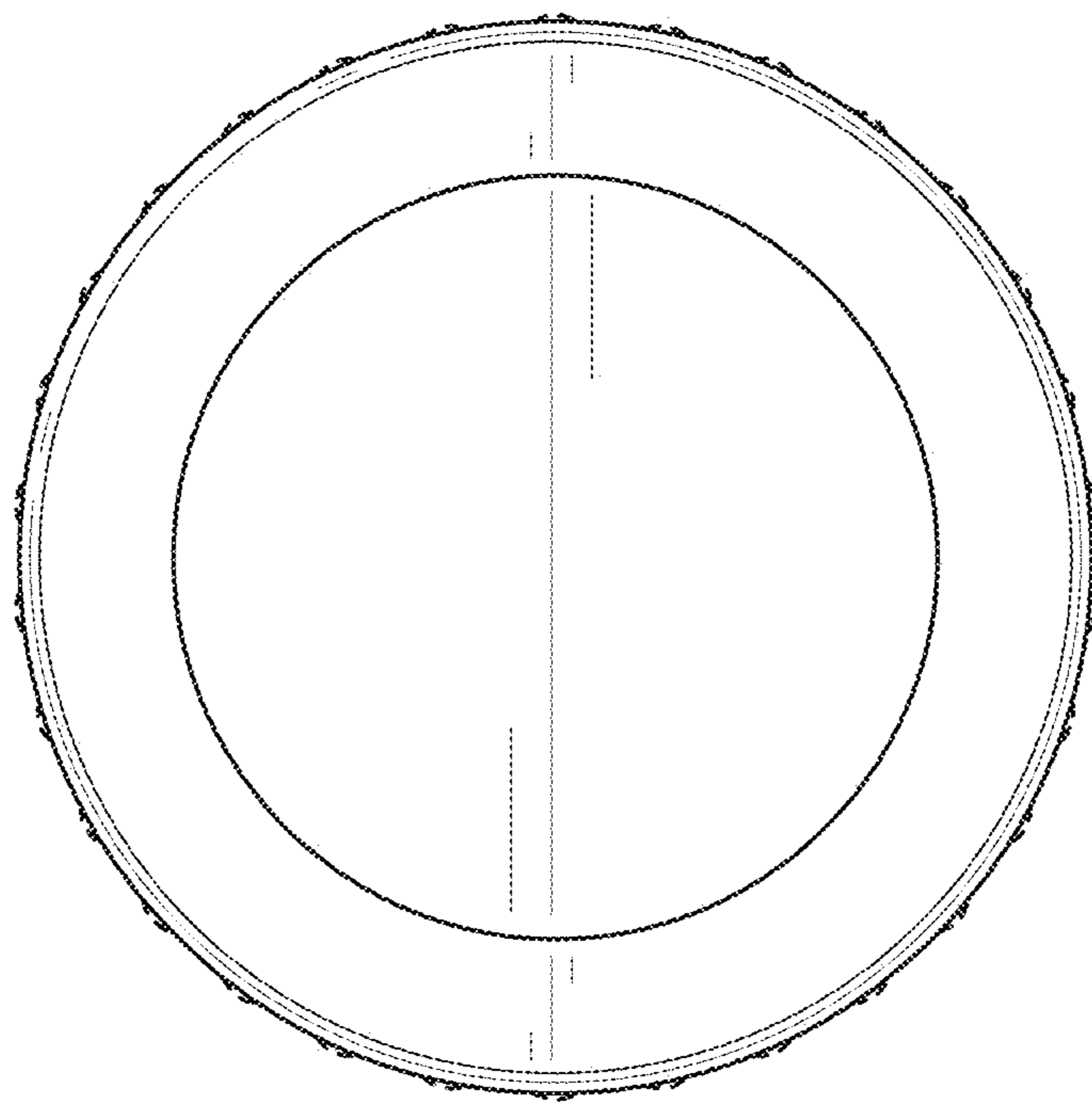


FIG. 5

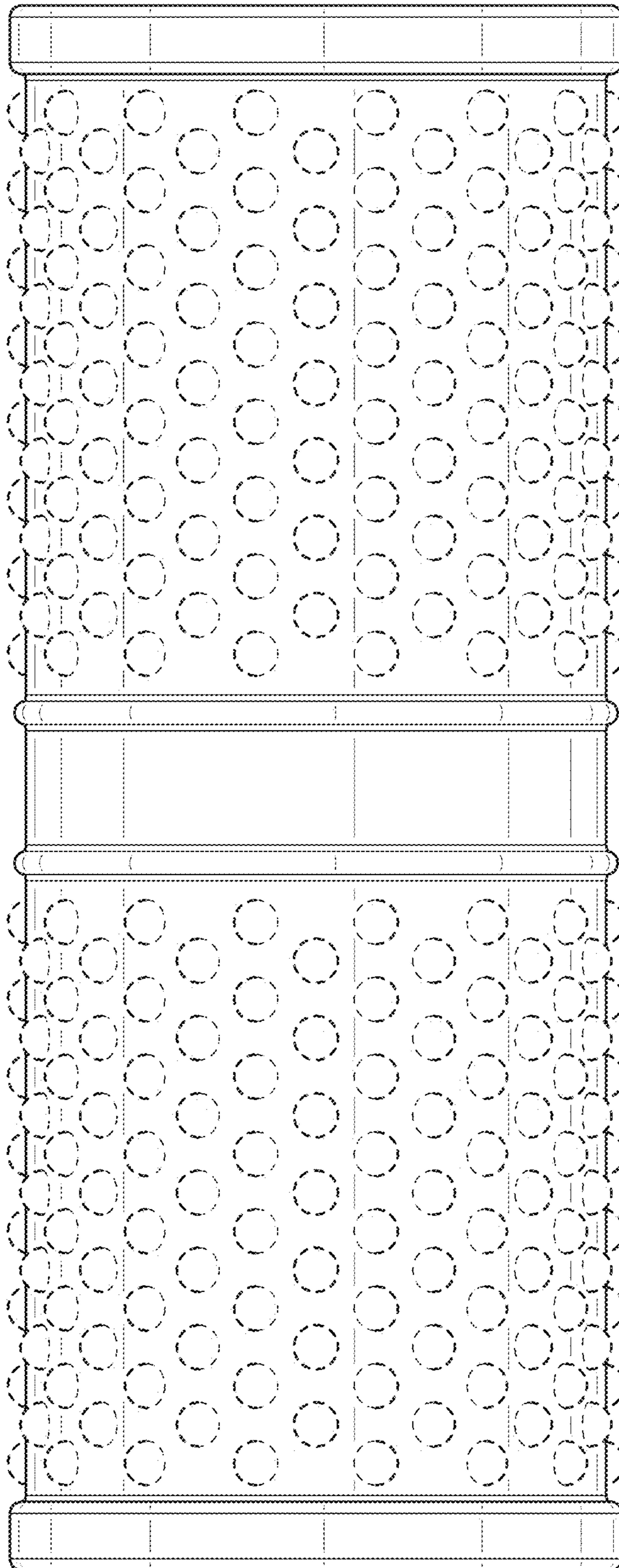


FIG. 6

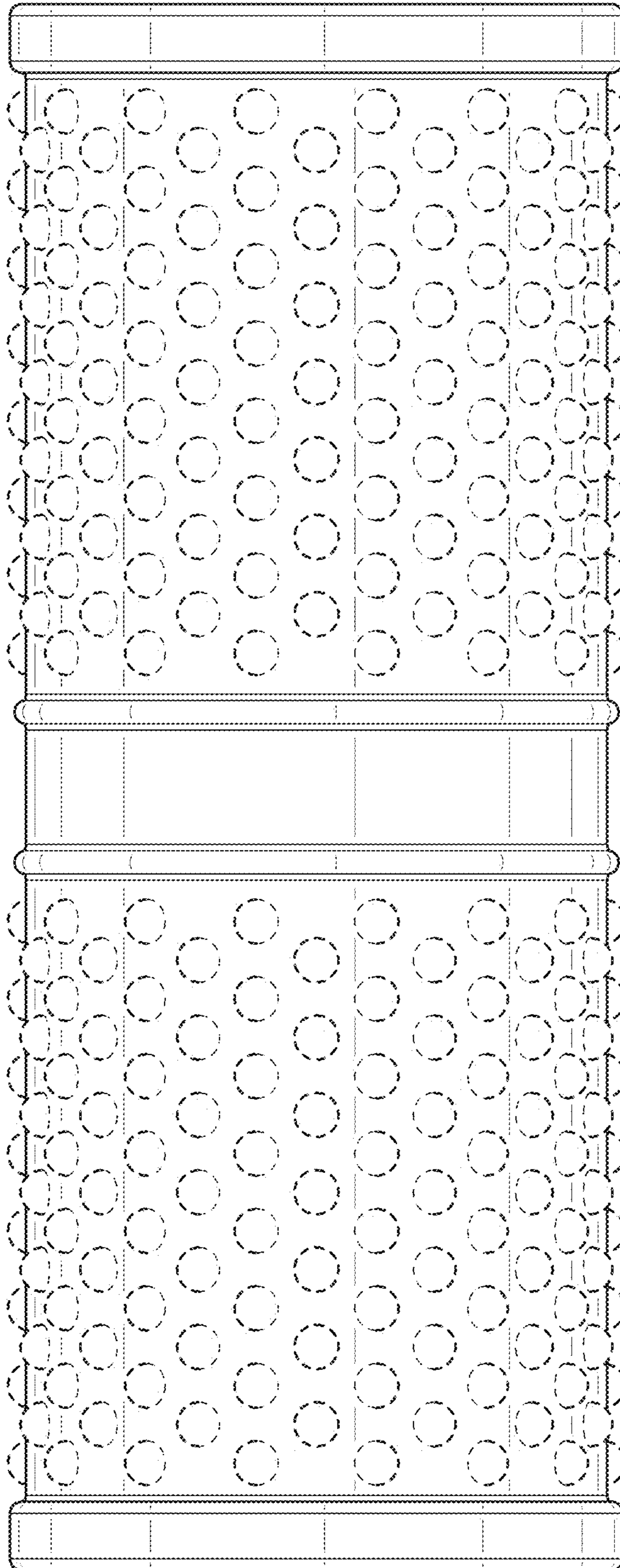


FIG. 7