



US00D884802S

(12) **United States Design Patent**
Kelley et al.

(10) **Patent No.:** **US D884,802 S**

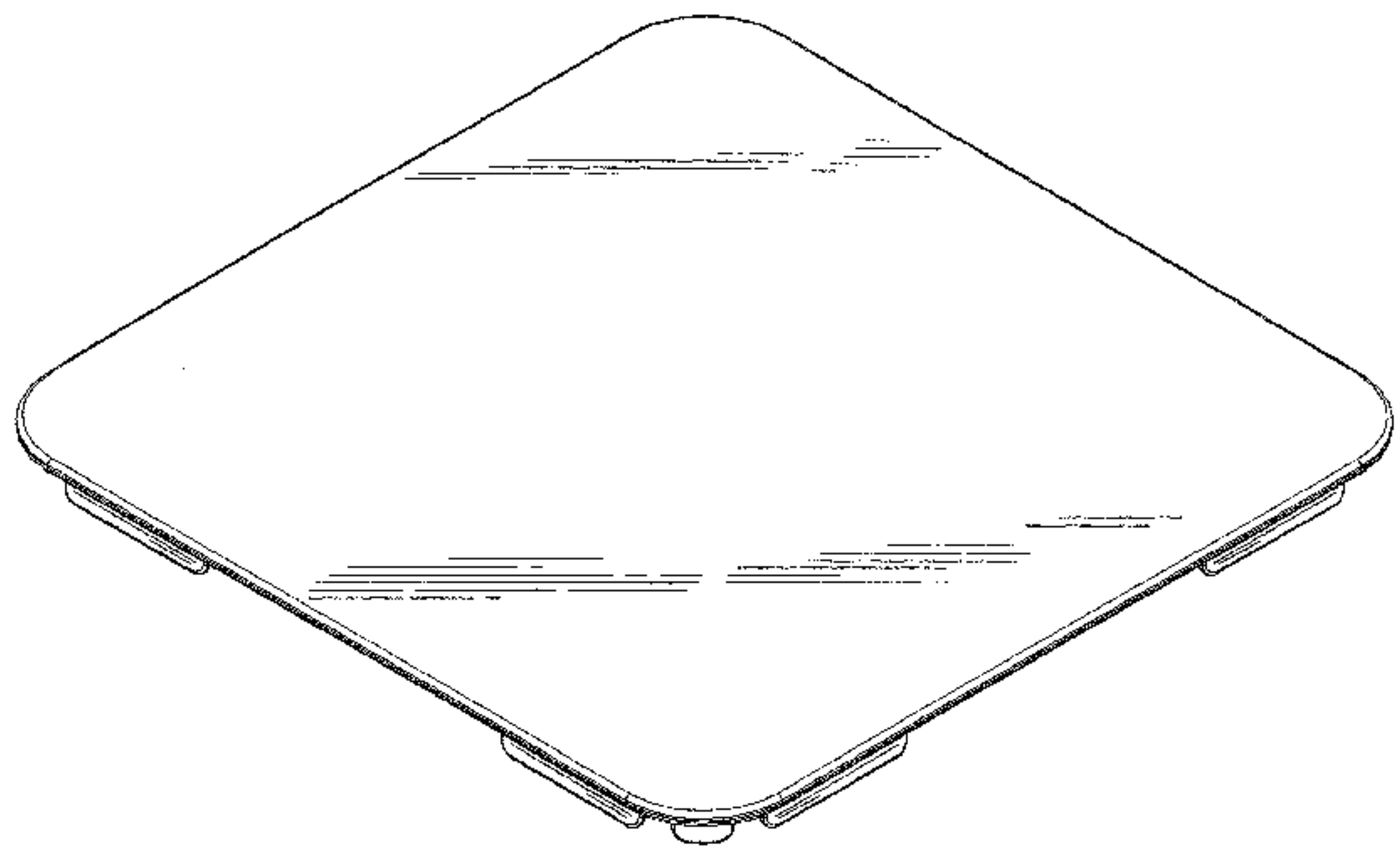
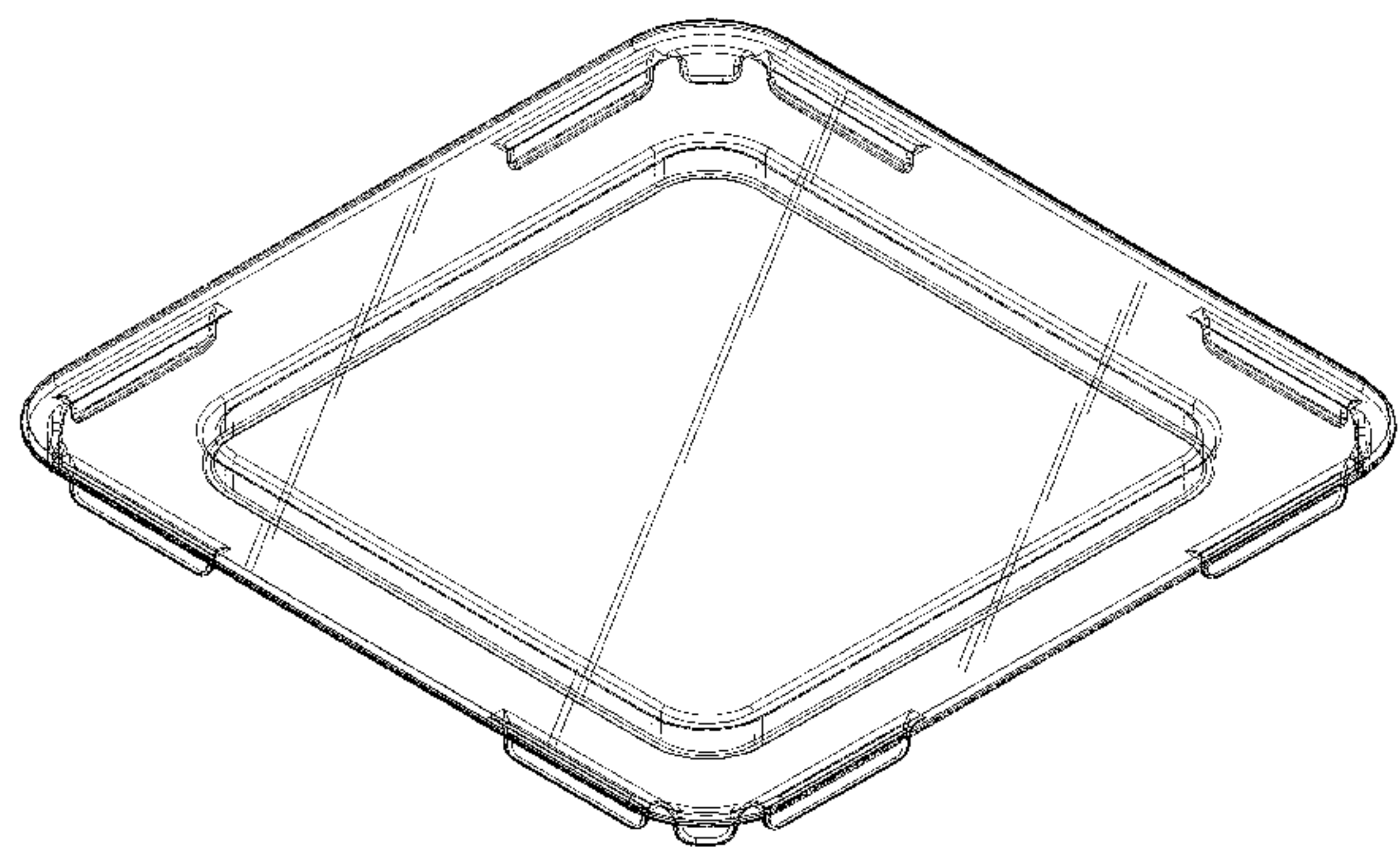
(45) **Date of Patent:** **** May 19, 2020**

- (54) **TOY BUILDING PANEL**
- (71) Applicant: **Squaregles LLC**, Highland Park, IL (US)
- (72) Inventors: **Joseph M. Kelley**, Highland Park, IL (US); **Noah J. Ornstein**, Highland Park, IL (US)
- (73) Assignee: **Box Tiles LLC**, Highland Park, IL (US)
- (**) Term: **15 Years**
- (21) Appl. No.: **29/609,380**
- (22) Filed: **Jun. 29, 2017**
- (51) **LOC (12) Cl.** **21-01**
- (52) **U.S. Cl.**
USPC **D21/491**
- (58) **Field of Classification Search**
USPC D21/478, 479, 484, 485-505; 446/69, 446/85, 102-128; 434/208, 259, 403; 273/153, 156, 160; 428/174
CPC A63H 33/00; A63H 33/04; A63H 33/06; A63H 33/08; A63H 33/10; A63H 33/12; A63H 33/14; A63F 9/08; A63F 9/12; G09B 1/36
See application file for complete search history.

3,890,738 A	6/1975	Bassani	
3,902,291 A	9/1975	Zucht	
3,998,004 A	12/1976	Ehrlich	
D249,976 S *	10/1978	Gronert	D21/491
4,192,083 A	3/1980	Rebbeck	
4,193,221 A	3/1980	Beck	
4,227,337 A	10/1980	Murray et al.	
4,255,837 A	3/1981	Holtz	
4,258,479 A	3/1981	Roane	
4,334,870 A	6/1982	Roane	
4,334,871 A	6/1982	Roane	
4,345,762 A	8/1982	Lebelson	
4,561,223 A	12/1985	Gold et al.	
4,884,988 A	12/1989	McMurray	
5,009,625 A	4/1991	Longuet-Higgins	
5,021,021 A	6/1991	Ballard	
5,134,812 A	8/1992	Hoffman et al.	
5,161,827 A	11/1992	Grosso	
5,222,902 A	6/1993	Piersch	
5,230,172 A	7/1993	Hsu	
D353,866 S *	12/1994	Houry	D21/490
5,417,603 A	5/1995	De Chazal	
5,482,491 A	1/1996	Kichijyo	
D380,787 S *	7/1997	Gabriel	D21/489
D380,790 S *	7/1997	Gabriel	D21/489
D380,791 S	7/1997	Gabriel	
5,803,146 A	9/1998	Boon	
5,830,032 A	11/1998	Campbell	
D404,090 S *	1/1999	Glickman	D21/491
5,860,264 A	1/1999	Gephart	
5,871,384 A	2/1999	Kichijo	
5,888,114 A	3/1999	Slocum et al.	
5,895,045 A *	4/1999	Vilar	A63H 33/06 273/160
6,032,590 A	3/2000	Chen	
6,073,404 A *	6/2000	Norfleet	A63H 33/044 446/109
6,113,203 A	9/2000	Chen	
6,298,591 B1	10/2001	Healy	
6,431,936 B1	8/2002	Kiribuchi	
6,464,553 B2	10/2002	Huang	
6,488,346 B2	12/2002	Chen	
6,500,007 B2	12/2002	Pupulin	
6,565,406 B2 *	5/2003	Huang	A63H 33/042 446/104
6,824,440 B2	11/2004	Brener	
6,969,294 B2	11/2005	Vicentelli	
7,004,082 B2	2/2006	Yang	
7,066,778 B2	6/2006	Kretzschmar	
D532,054 S	11/2006	Kim	
7,154,363 B2	12/2006	Hunts	
7,273,404 B2	9/2007	Kowalski et al.	
7,364,487 B2	4/2008	Evans	

(56) **References Cited**
U.S. PATENT DOCUMENTS

1,863,995 A	6/1932	Ponstingl	
2,951,311 A	9/1960	Luther	
2,968,118 A	1/1961	Paulson	
3,032,919 A *	5/1962	Amsler	A63H 33/084 446/112
3,271,895 A *	9/1966	Sphirensen	A63H 33/102 16/386
3,661,689 A	5/1972	Spanier	
3,712,539 A	1/1973	Staats	
3,768,846 A	10/1973	Hensley	
D233,678 S *	11/1974	Harvey	D21/491
3,872,620 A *	3/1975	Daenen	A63H 33/06 446/112
D234,706 S *	4/1975	Harvey	D21/489



7,373,748	B2	5/2008	Pitcher et al.	
7,520,080	B2	4/2009	Pitcher et al.	
7,559,821	B2	7/2009	Pacheco	
7,743,541	B2	6/2010	Suciu et al.	
7,833,078	B2	11/2010	Kretzschmar	
7,922,417	B2	4/2011	Jimenez	
8,282,438	B2	10/2012	Tamulewicz	
8,753,162	B2	6/2014	Jensen	
D713,474	S	9/2014	Roberson	
8,850,683	B2	10/2014	Haughey et al.	
8,875,427	B2	11/2014	Valiulis	
D718,822	S	12/2014	Lee	
8,904,688	B1	12/2014	Rue et al.	
9,266,030	B2	2/2016	Graube	
9,314,707	B2	4/2016	Ornstein	
9,345,980	B2	5/2016	Lee	
D776,830	S	1/2017	Malpesa Guerrero	
D776,831	S	1/2017	Malpesa Guerrero	
D784,938	S	4/2017	Wang	
D789,312	S	6/2017	Wang	
9,713,777	B2	7/2017	Peterson	
9,734,733	B2	8/2017	Murtagh	
D809,071	S	1/2018	Liu	
D810,207	S *	2/2018	Jasper	D21/491
9,887,049	B2	2/2018	De La Rosa	
D829,830	S *	10/2018	Wakim	D21/491
2001/0004817	A1	6/2001	Auer	
2001/0010992	A1	8/2001	Brazier	
2002/0193046	A1	12/2002	Zebersky	
2005/0241197	A1	11/2005	Ternovits et al.	
2006/0166590	A1	7/2006	Ishikawa	
2009/0013576	A1	1/2009	Jake et al.	
2009/0217560	A1	9/2009	Topcuoglu	
2010/0192437	A1	8/2010	Fallander	
2010/0251659	A1	10/2010	Hughes	
2011/0039473	A1	2/2011	Kretzschmar	
2011/0092129	A1	4/2011	Aggar	
2012/0200561	A1	8/2012	Bando	
2013/0072086	A1	3/2013	Saneshige	
2013/0095722	A1	4/2013	Cochella	
2014/0109448	A1	4/2014	Lehrkamp	
2014/0202054	A1	7/2014	Valentine	
2014/0227934	A1	8/2014	Rudisill	
2014/0256210	A1 *	9/2014	Johnson	A63H 33/046 446/108
2015/0367247	A1	12/2015	Kosmo	
2016/0184727	A1	6/2016	Ornstein	

FOREIGN PATENT DOCUMENTS

CN	201591981	U	9/2010	
CN	ZL2016304680837		3/2017	
CN	ZL2016304680841		3/2017	
CN	ZL2016304683356		3/2017	
CN	ZL2016304663579		5/2017	
CN	ZL2016304663776		5/2017	
CN	ZL2016304665771		5/2017	
CN	ZL2016304666238		5/2017	
CN	ZL2016304668017		5/2017	
CN	ZL2016304682442		5/2017	
KR	200414572		4/2006	
KR	1020120082517		7/2012	
KR	101415746	B1	7/2014	
WO	2011139013	A1	11/2011	
WO	2015038581	A1	3/2015	ke

WO	2015123119	A1	8/2015
WO	2015141927	A1	9/2015

OTHER PUBLICATIONS

Magformers XL Cruisers Construction Set, available at <http://www.amazon.com/Magformers-XL-Cruisers-Construction-Set/dp/B008EGIIEM>, available Apr. 23, 2013 according to archive.org/web.

PCT App. No. PCT/US2017/019120; International Search Report and Written Opinion dated May 5, 2017; pp. 1-48.

* cited by examiner

Primary Examiner — Cynthia M. Chin
(74) Attorney, Agent, or Firm — Fitch, Even, Tabin & Flannery LLP

(57) CLAIM

The ornamental design for a toy building panel, as shown and described.

DESCRIPTION

FIG. 1 is a top perspective view of a toy building panel in accordance with a first embodiment of our new design showing indeterminate length and width; FIG. 2 is a bottom perspective view thereof; FIG. 3 is a top plan view thereof; FIG. 4 is a left side elevation view thereof, the front, rear, and right side elevation views being identical thereto; FIG. 5 is a bottom plan view thereof; FIG. 6 is a top perspective view of a toy building panel in accordance with a second embodiment of our new design showing indeterminate length and width; FIG. 7 is a bottom perspective view thereof; FIG. 8 is a top plan view thereof; FIG. 9 is a left side elevation view thereof, the front, rear, and right side elevation views being identical thereto; FIG. 10 is a bottom plan view thereof; FIG. 11 is a top perspective view of a toy building panel in accordance with a third embodiment of our new design; FIG. 12 is a bottom perspective view thereof; FIG. 13 is a top plan view thereof; FIG. 14 is a left side elevation view thereof, the front, rear, and right side elevation views being identical thereto; FIG. 15 is a bottom plan view thereof; FIG. 16 is a top perspective of a toy building panel in accordance with a fourth embodiment of our new design; FIG. 17 is a bottom perspective view thereof; FIG. 18 is a top plan view thereof; and, FIG. 19 is a left side elevation view thereof, the front, rear, and right side elevation views being identical thereto. The broken lines illustrate portions of the toy building panel that form no part of the claimed design. The oblique shade lines in FIGS. 6-15 represent a transparent or translucent surface and not surface ornamentation. The broken away symbols in the drawings indicate the appearance of any portion of the article between the break lines forms no part of the claimed design.

1 Claim, 15 Drawing Sheets

FIG. 1

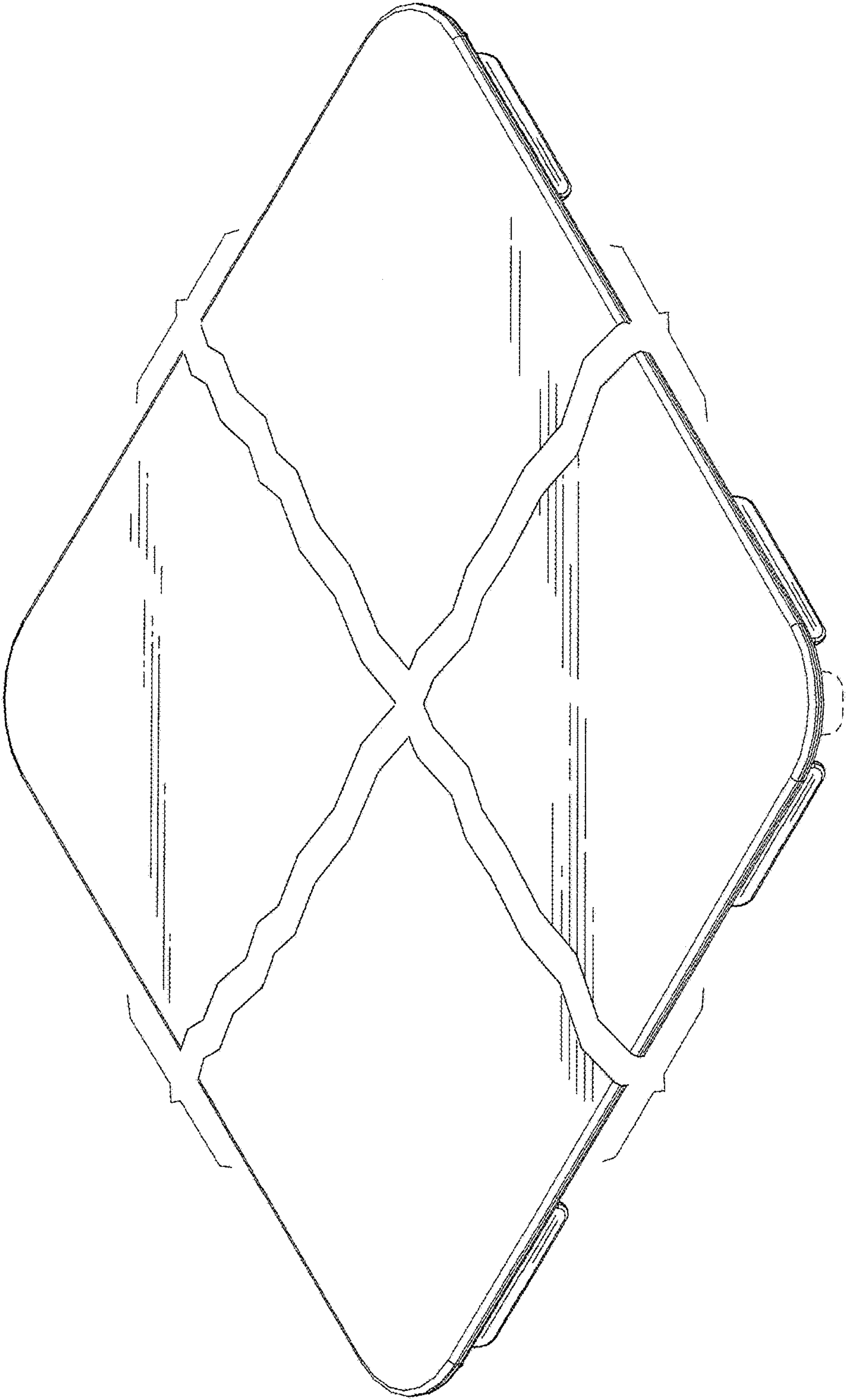


FIG. 2

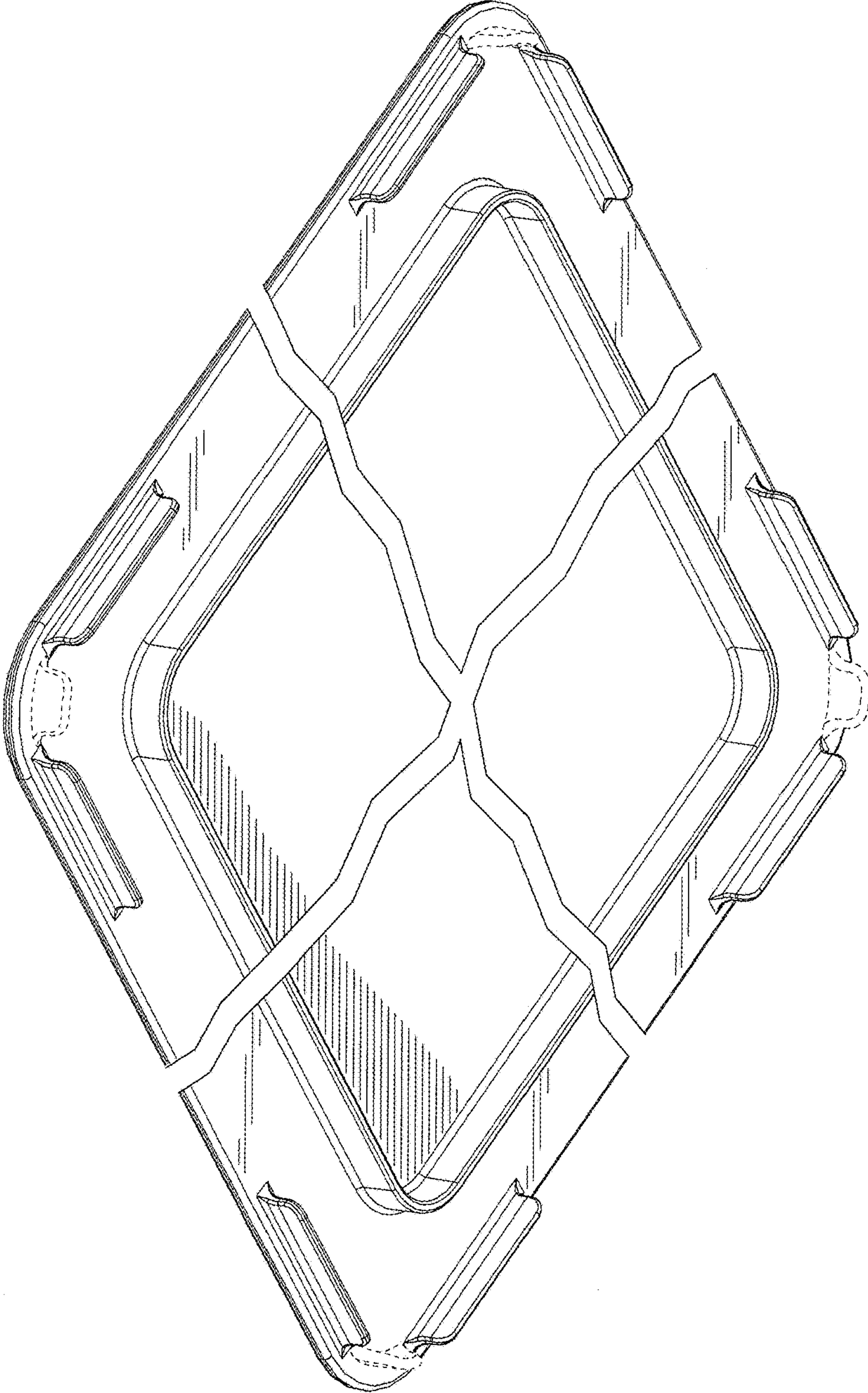


FIG. 3

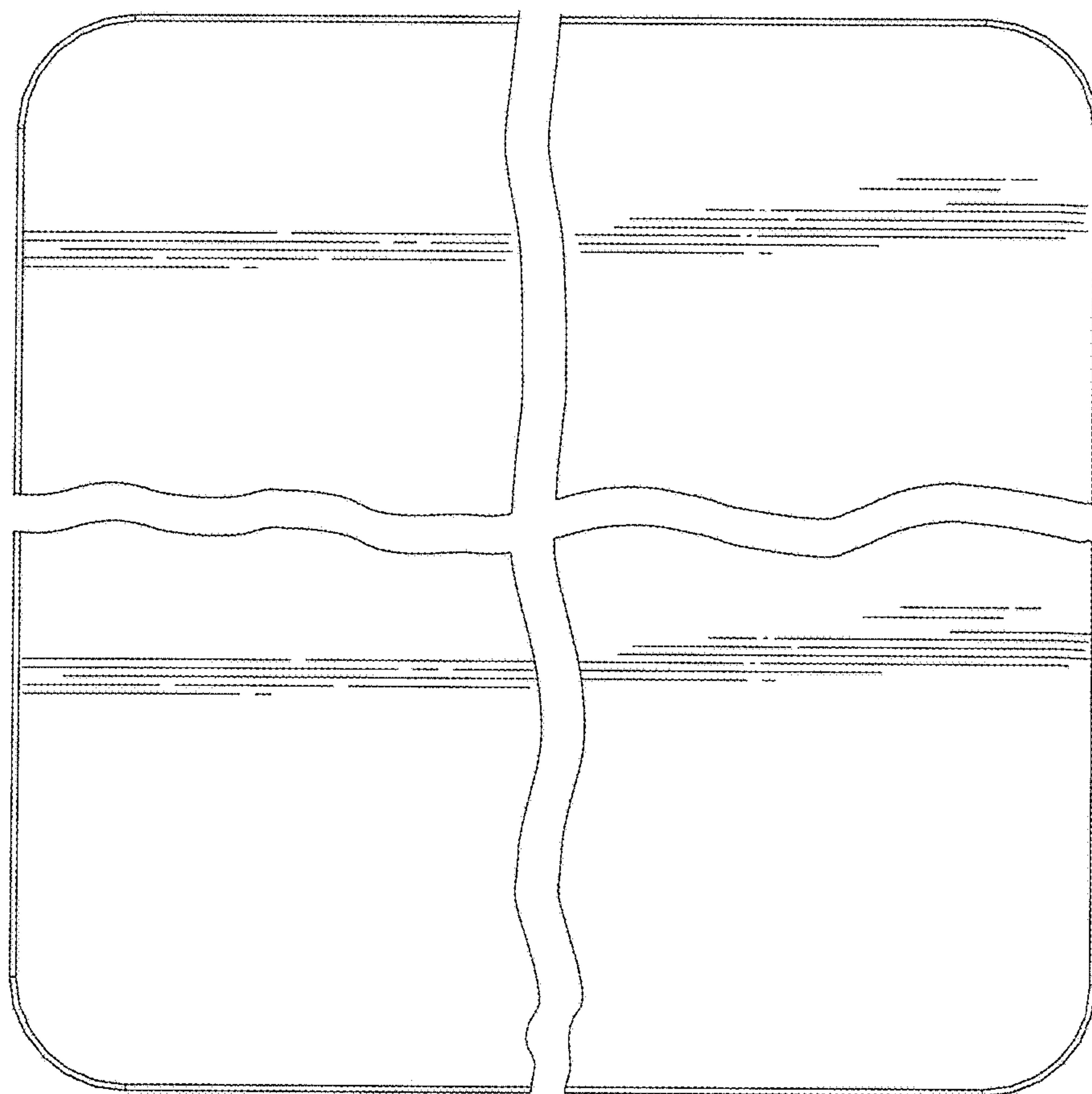


FIG. 4



FIG. 5

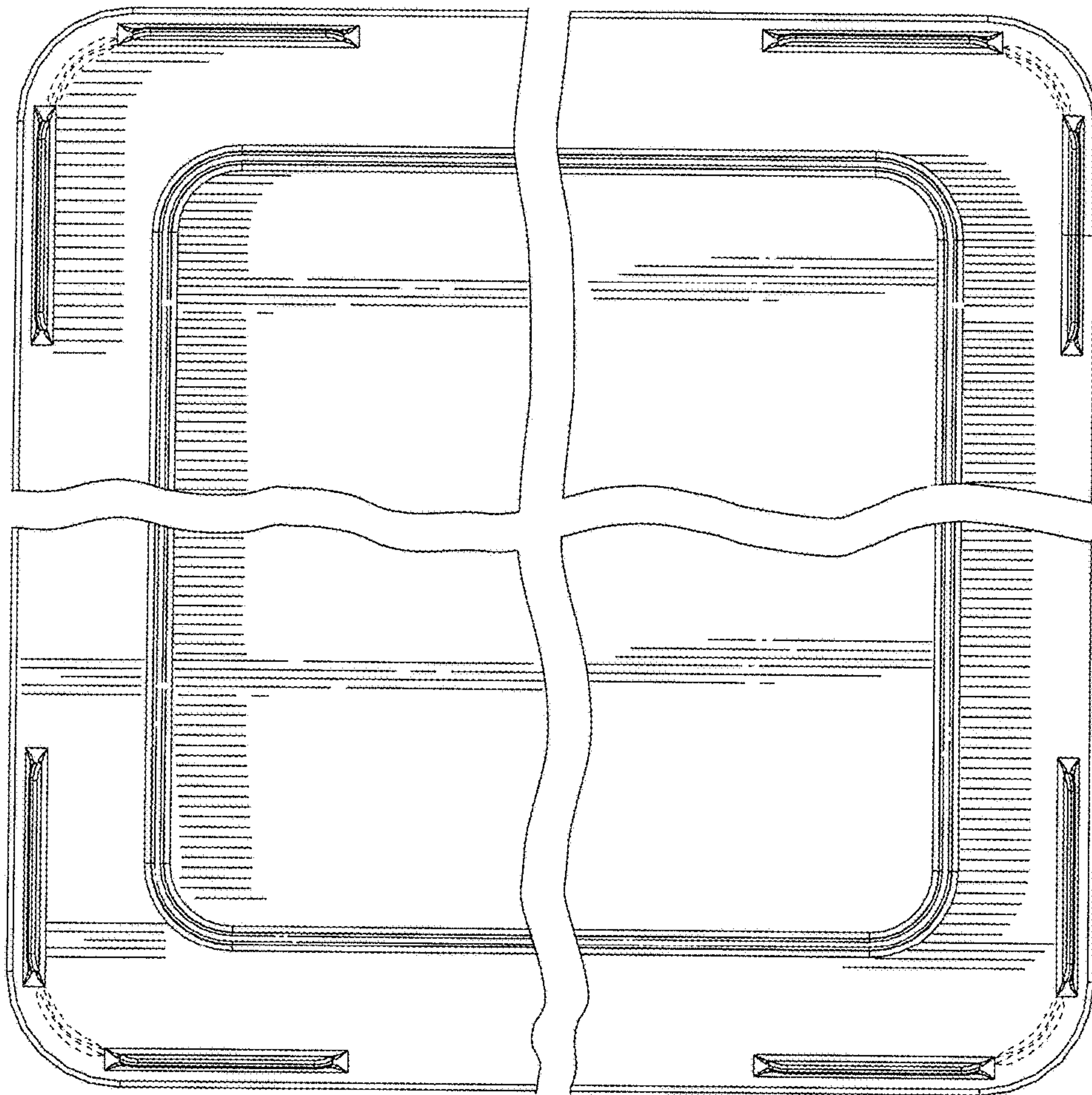
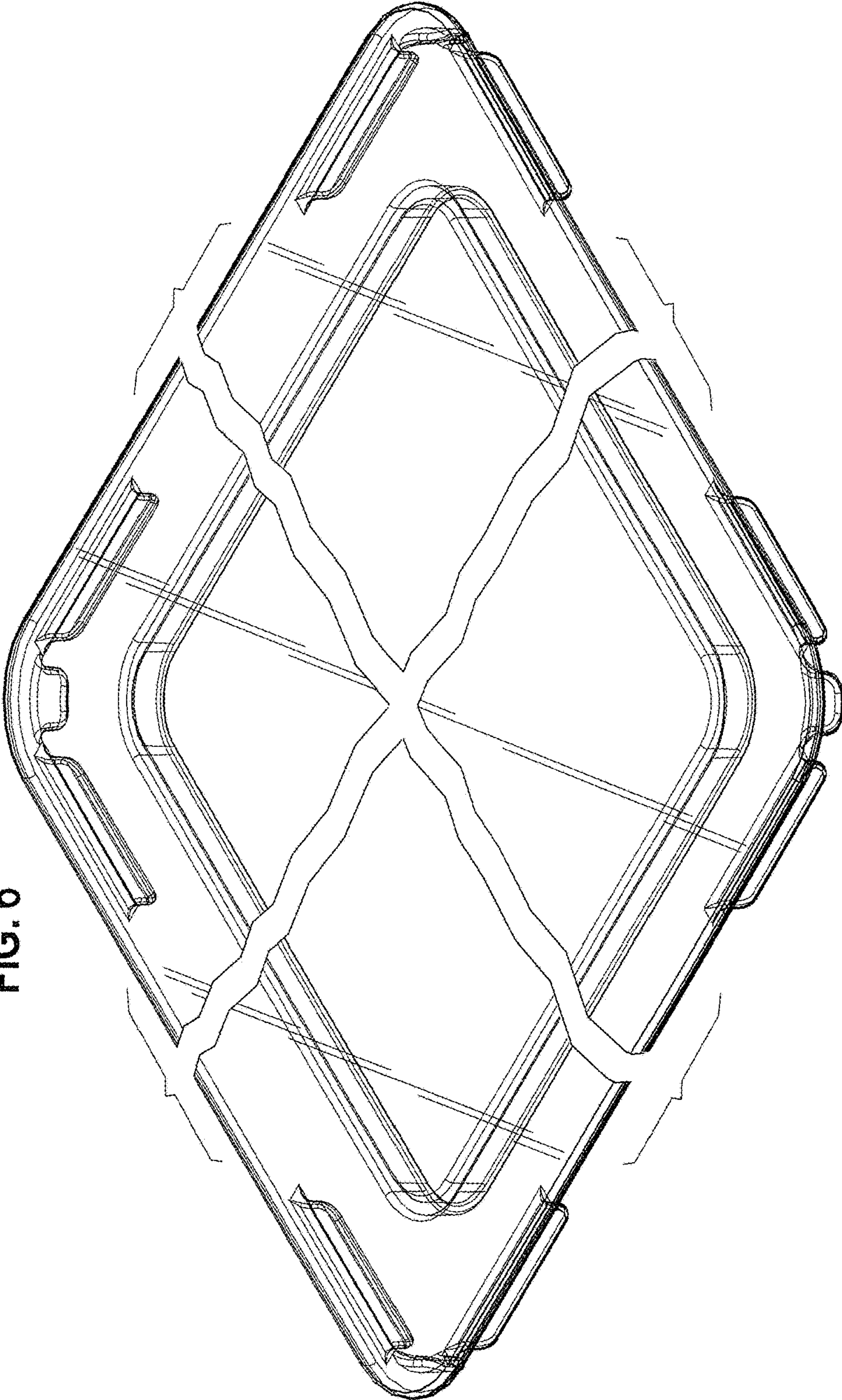


FIG. 6



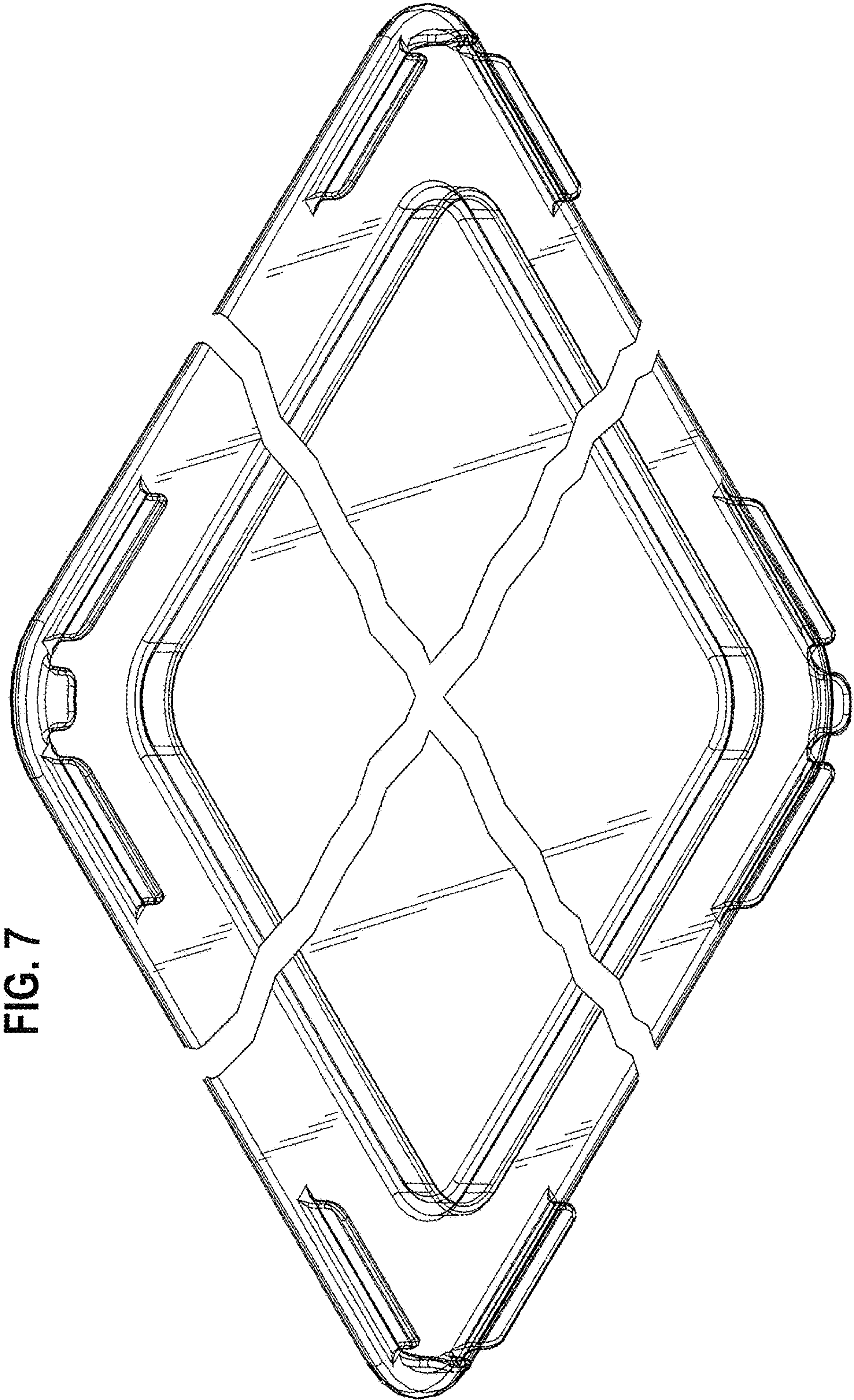


FIG. 7

FIG. 8

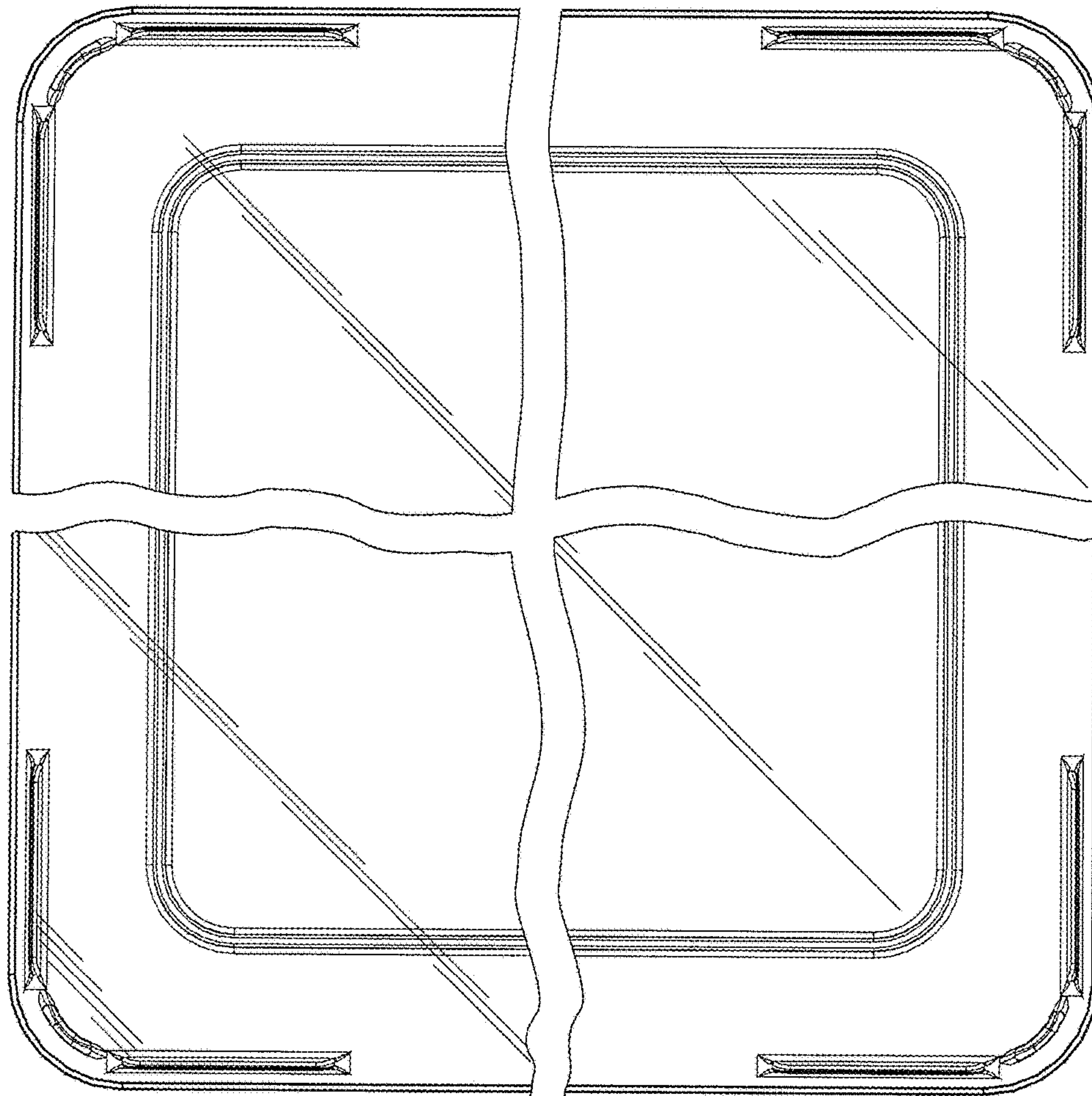
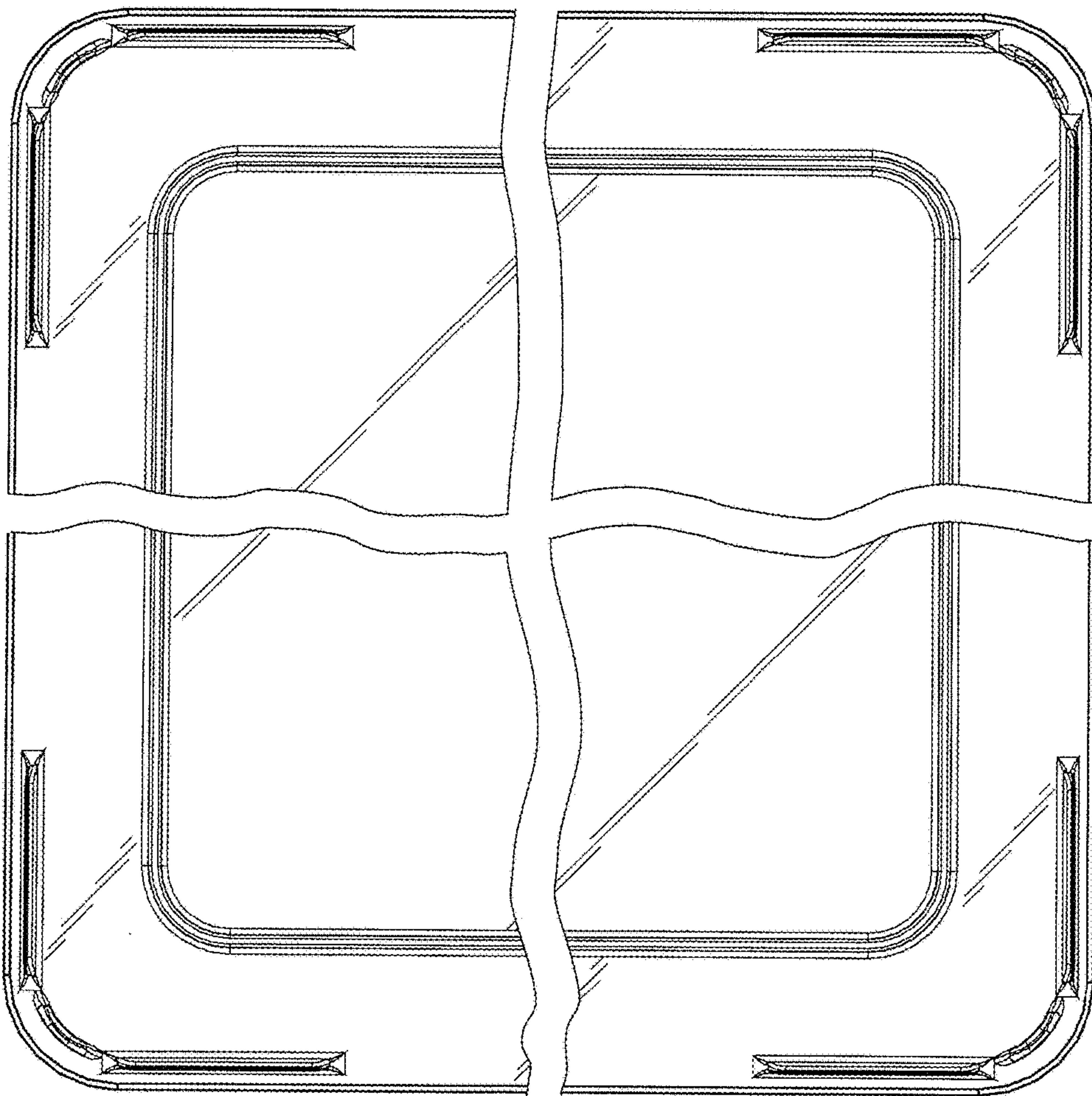


FIG. 9



FIG. 10



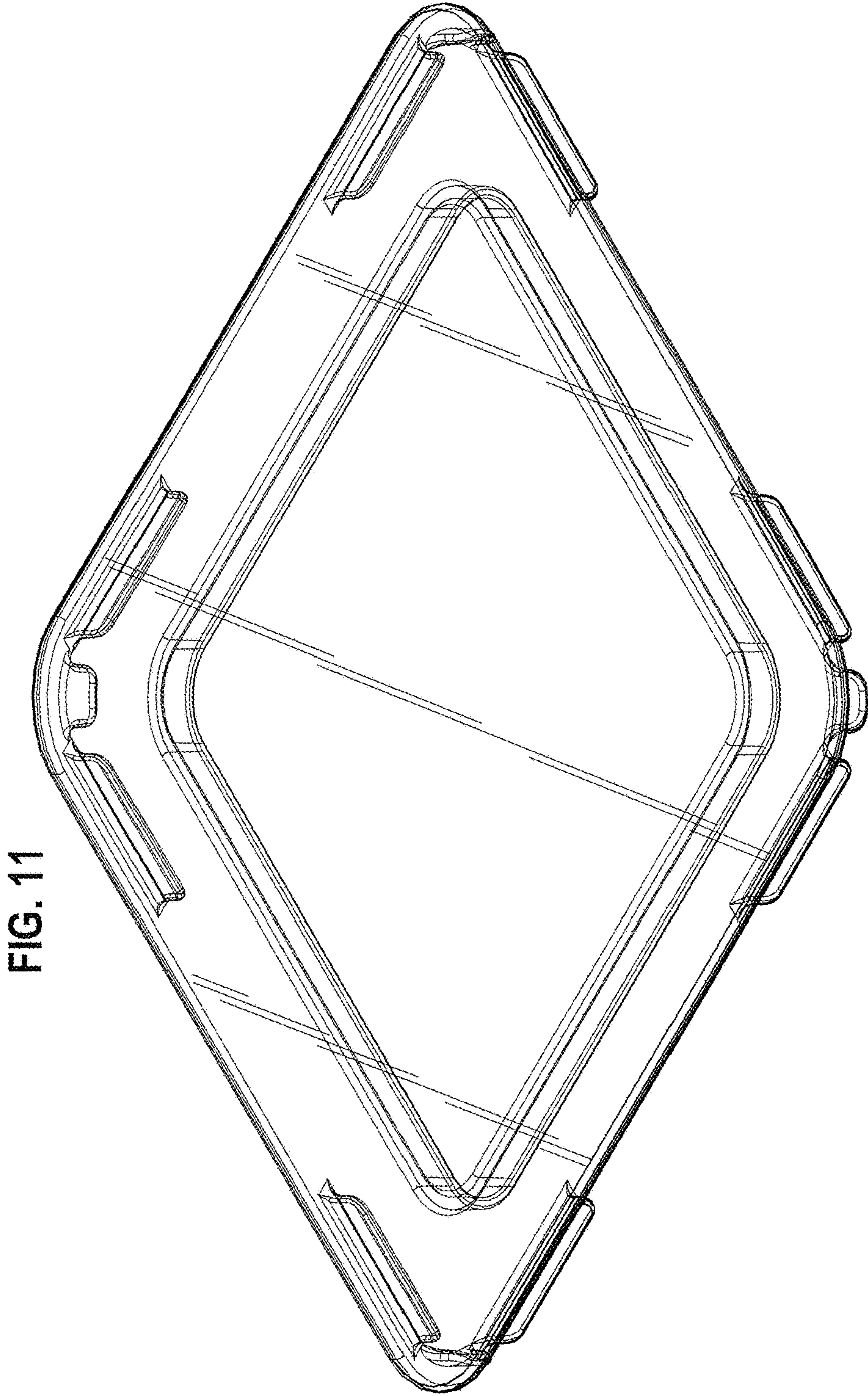


FIG. 11

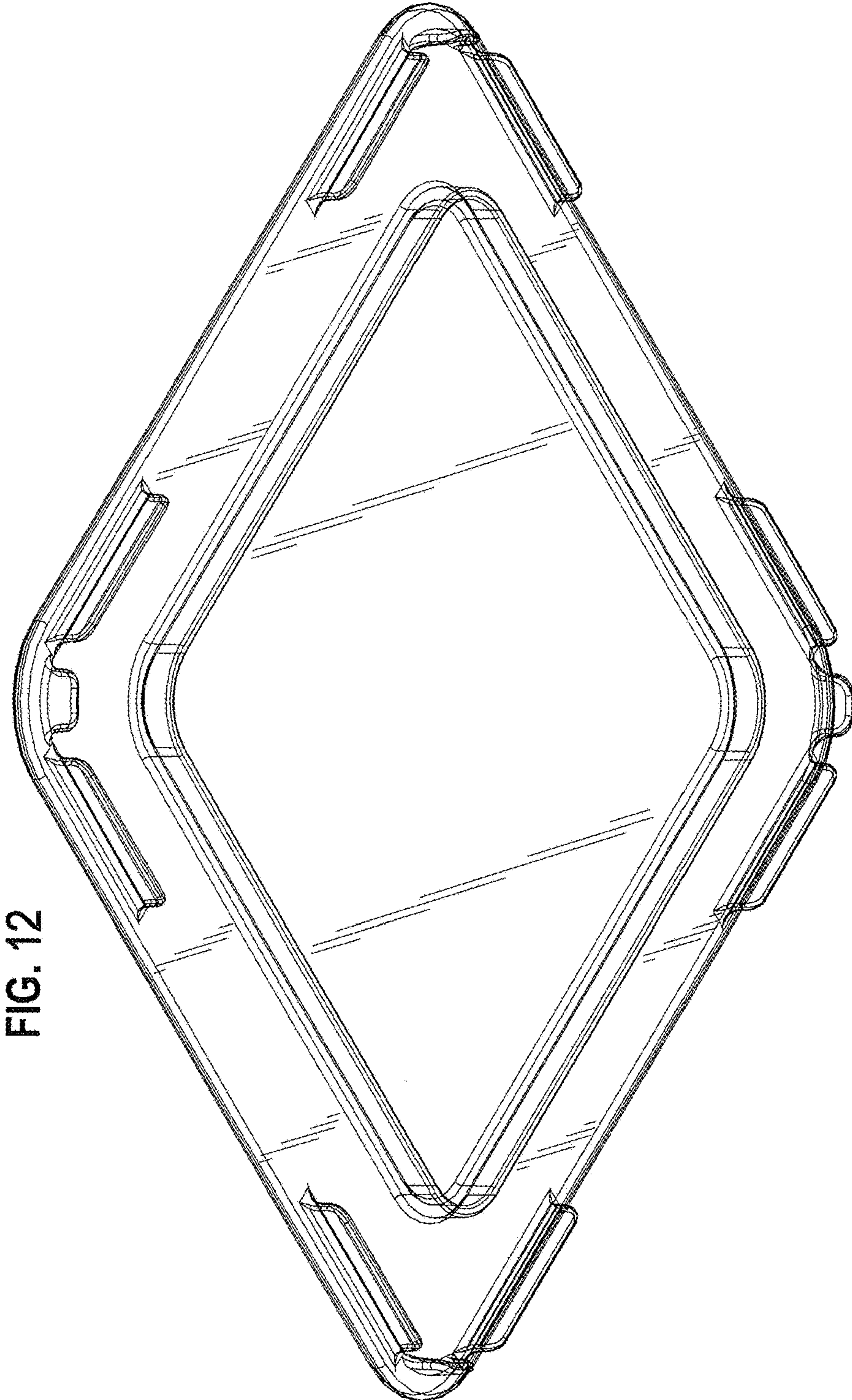


FIG. 12

FIG. 13

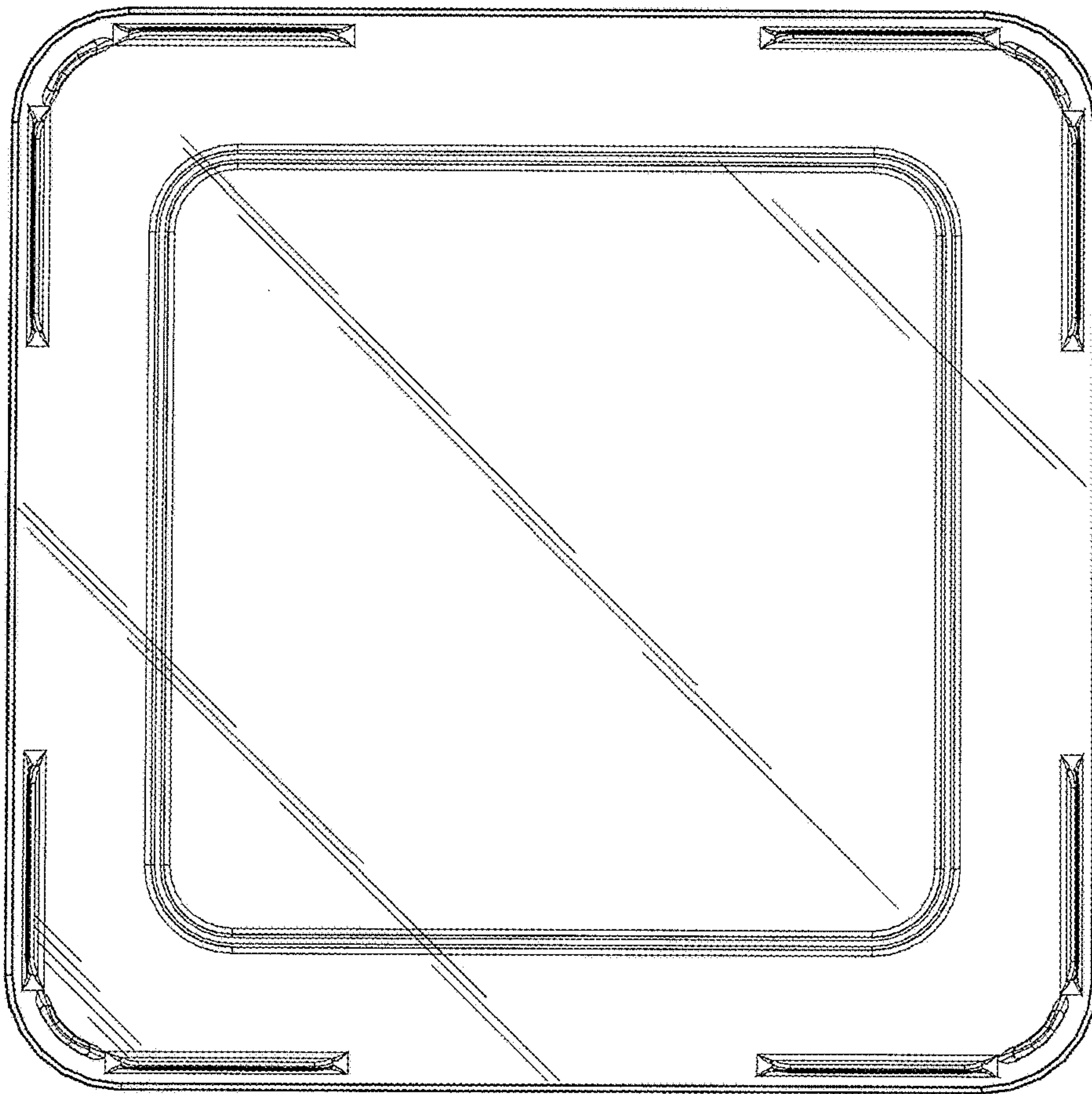


FIG. 14

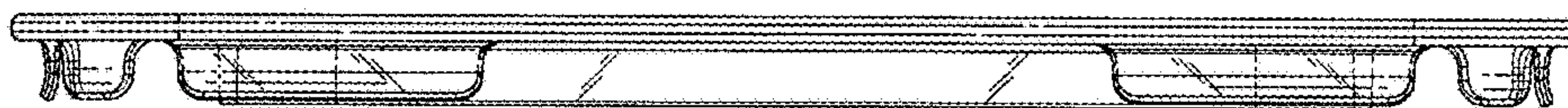


FIG. 15

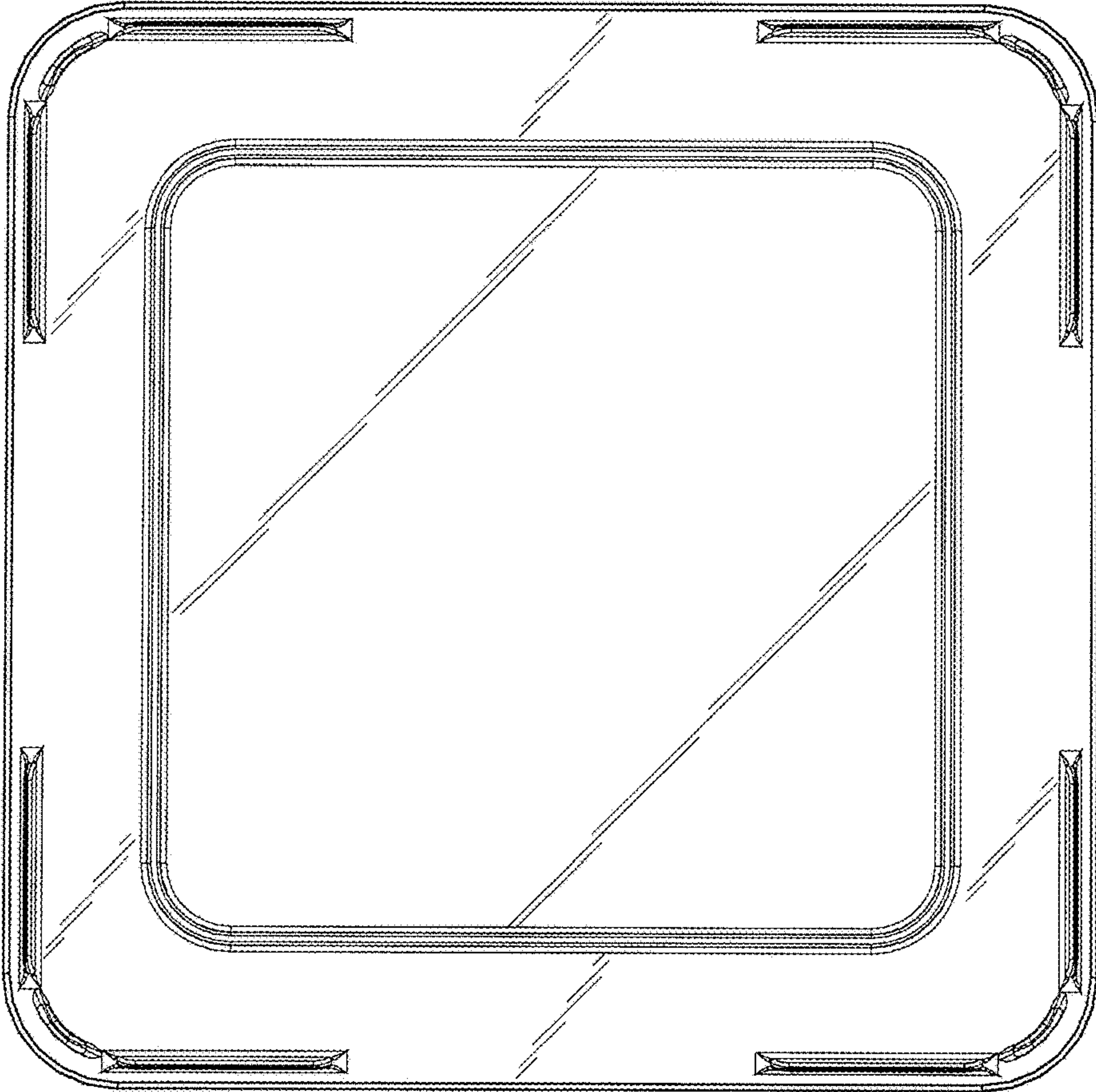


FIG. 16

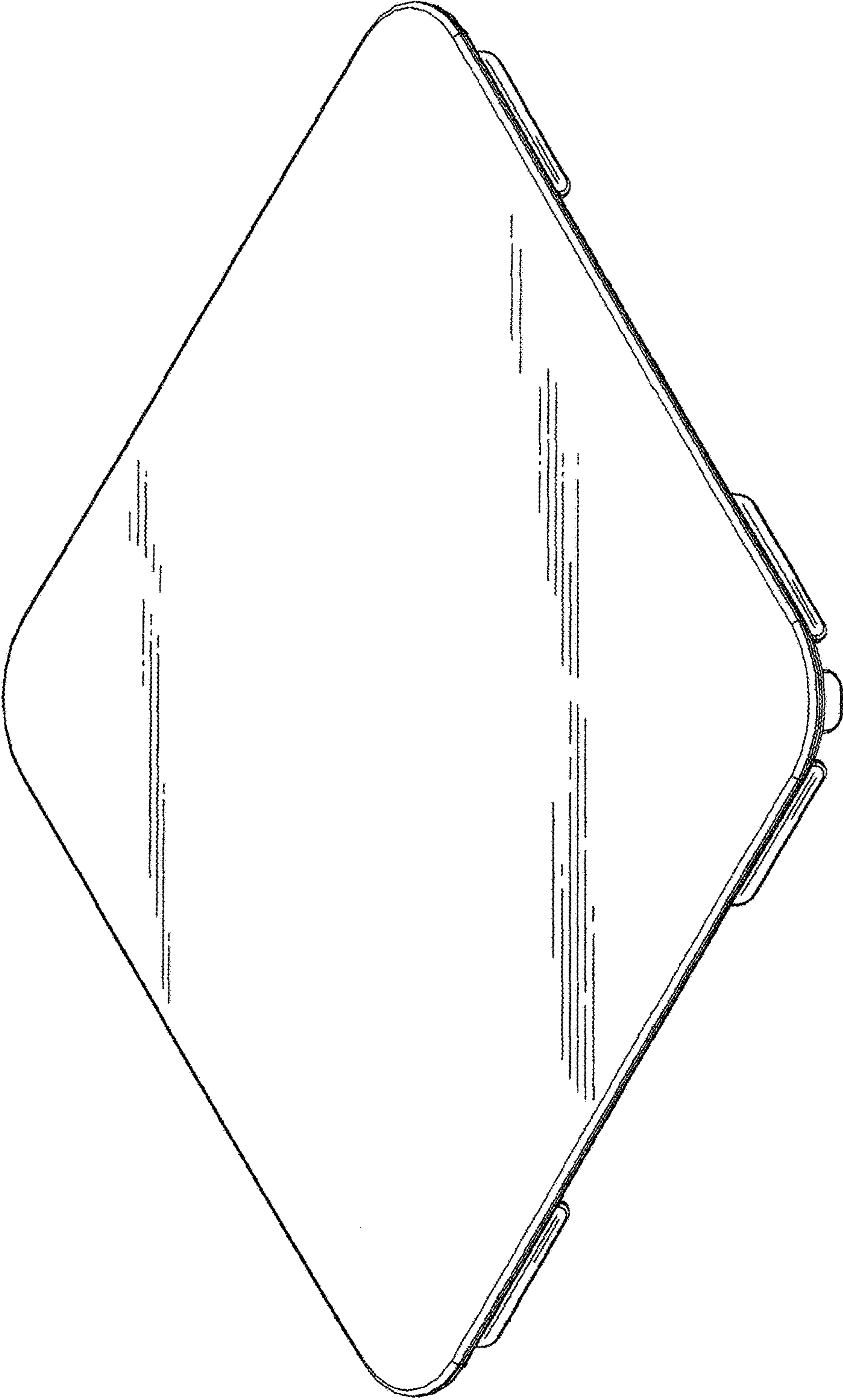


FIG. 17

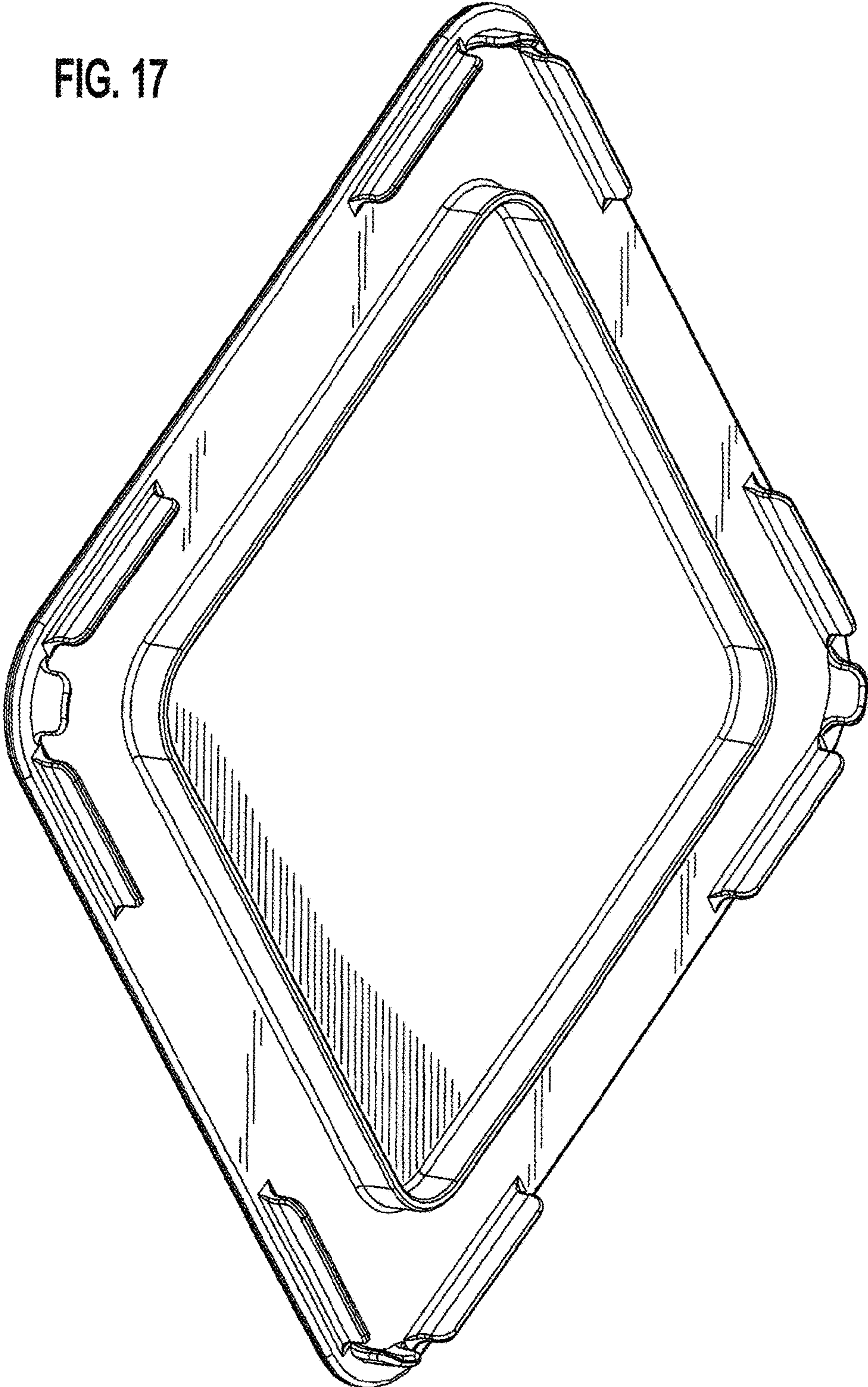


FIG. 18

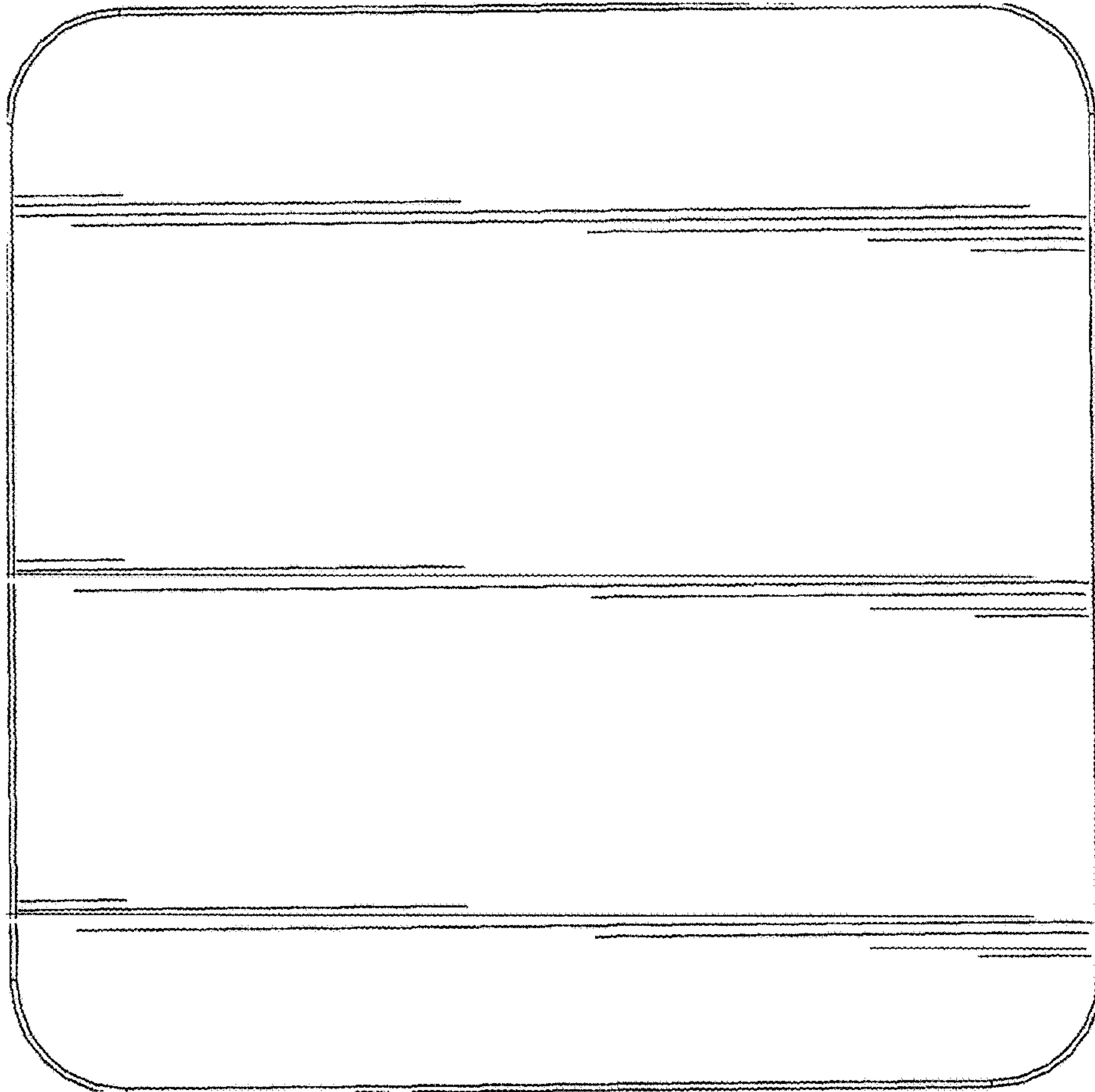


FIG. 19

