



US00D884801S

(12) **United States Design Patent**
Muraki et al.

(10) **Patent No.:** **US D884,801 S**

(45) **Date of Patent:** **** May 19, 2020**

- (54) **ACCESSORY FOR SPINNING TOP TOY**
- (71) Applicant: **TOMY COMPANY, LTD.**, Tokyo (JP)
- (72) Inventors: **Makoto Muraki**, Tokyo (JP); **Hiroyuki Matsukawa**, Tokyo (JP)
- (73) Assignee: **TOMY COMPANY, LTD.**, Tokyo (JP)
- (**) Term: **15 Years**

D851,709 S *	6/2019	Muraki	D21/460
D852,280 S *	6/2019	Horikoshi	D21/460
D854,627 S *	7/2019	Saito	D21/460
D854,628 S *	7/2019	Saito	D21/460
D855,118 S *	7/2019	Saito	D21/460
2010/0159798 A1 *	6/2010	Bertrand	A63H 1/02 446/259
2015/0017872 A1 *	1/2015	Choi	A63H 1/04 446/259

- (21) Appl. No.: **29/671,579**
- (22) Filed: **Nov. 28, 2018**

(30) **Foreign Application Priority Data**

Jun. 1, 2018 (JP) 2018-012151

- (51) **LOC (12) Cl.** **21-01**
- (52) **U.S. Cl.**
USPC **D21/460**
- (58) **Field of Classification Search**
USPC D21/455-464; 446/236-266
CPC A63H 1/00-32
See application file for complete search history.

(56) **References Cited**

U.S. PATENT DOCUMENTS

D629,468 S *	12/2010	Ujita	D21/460
D827,046 S *	8/2018	Horikoshi	D21/460
D835,209 S *	12/2018	Hashiba	D21/460
D839,967 S *	2/2019	Horikoshi	D21/460
D841,099 S *	2/2019	Matsukawa	D21/460
D848,539 S *	5/2019	Horikoshi	D21/460
D849,847 S *	5/2019	Horikoshi	D21/460
D849,848 S *	5/2019	Saito	D21/460
D849,849 S *	5/2019	Muraki	D21/460

FOREIGN PATENT DOCUMENTS

JP	6377211 B1 *	8/2018	A63H 1/02
JP	6405415 B1 *	10/2018	A63H 1/02

* cited by examiner

Primary Examiner — Catherine A Tuttle
(74) *Attorney, Agent, or Firm* — Oliff PLC

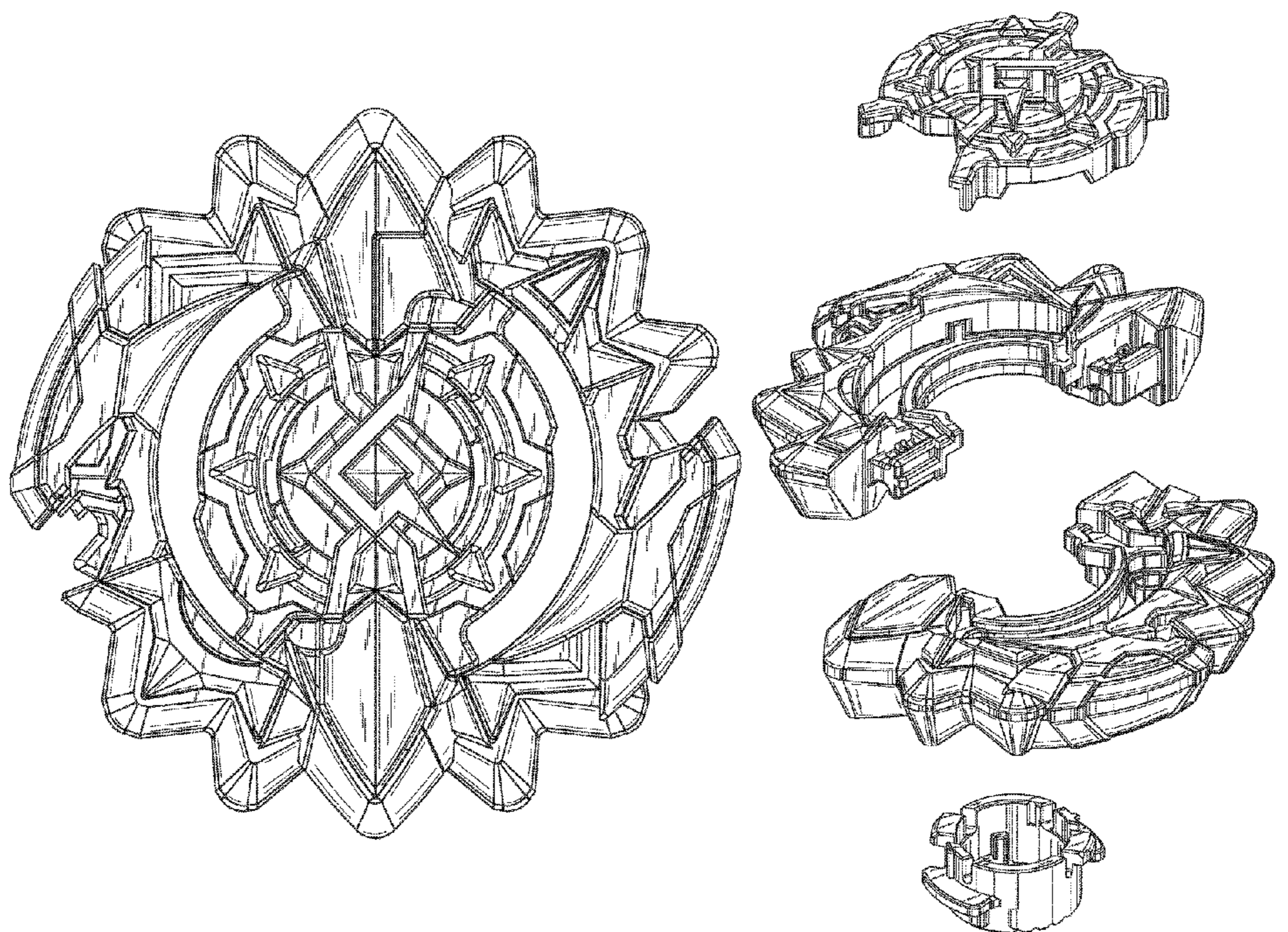
(57) **CLAIM**

The ornamental design for an accessory for spinning top toy, as shown and described.

DESCRIPTION

FIG. 1 is a front elevational view of the accessory for spinning top toy;
 FIG. 2 is a rear elevational view thereof;
 FIG. 3 is a left-side elevational view thereof;
 FIG. 4 is a right-side elevational view thereof;
 FIG. 5 is a top plan view thereof;
 FIG. 6 is a bottom plan view thereof;
 FIG. 7 is a front, top and right side perspective view thereof;
 FIG. 8 is a disassembled front, top and right side perspective view thereof; and,
 FIG. 9 is a disassembled rear, bottom and left side perspective view thereof.

1 Claim, 9 Drawing Sheets



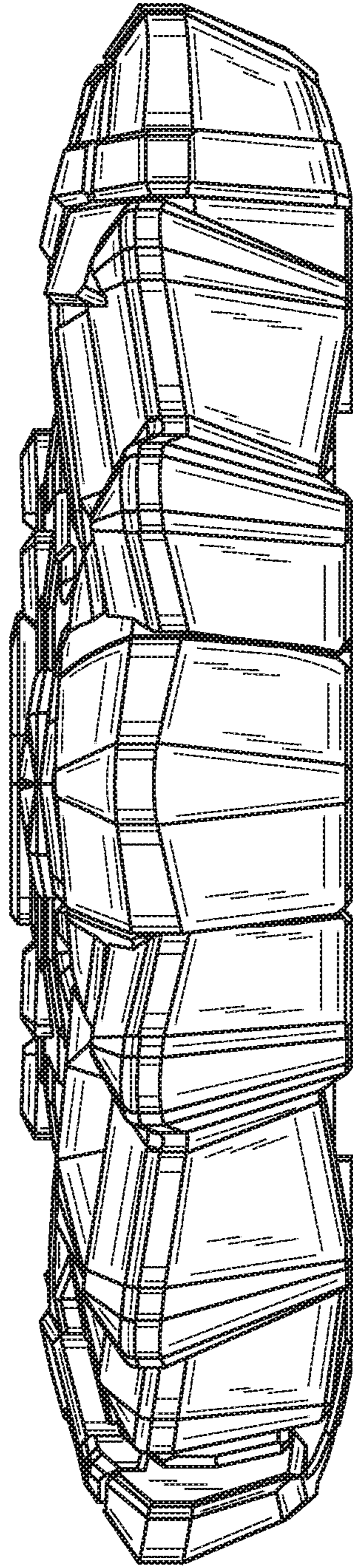


FIG. 1

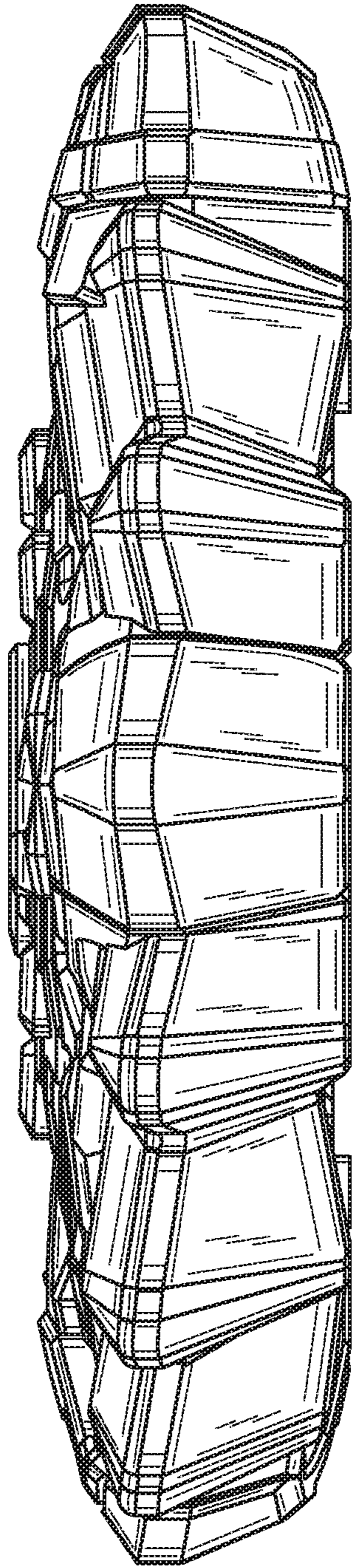


FIG. 2

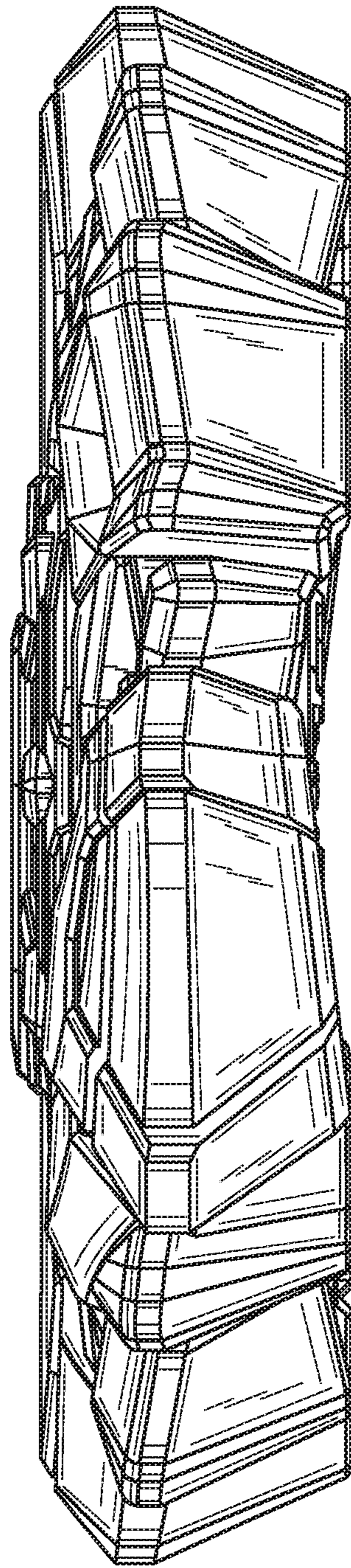


FIG. 3

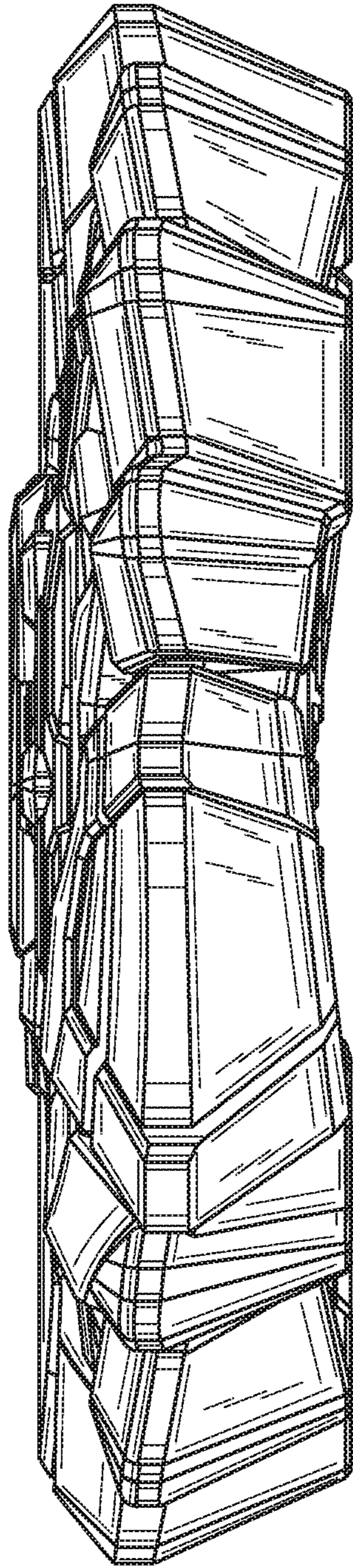


FIG. 4

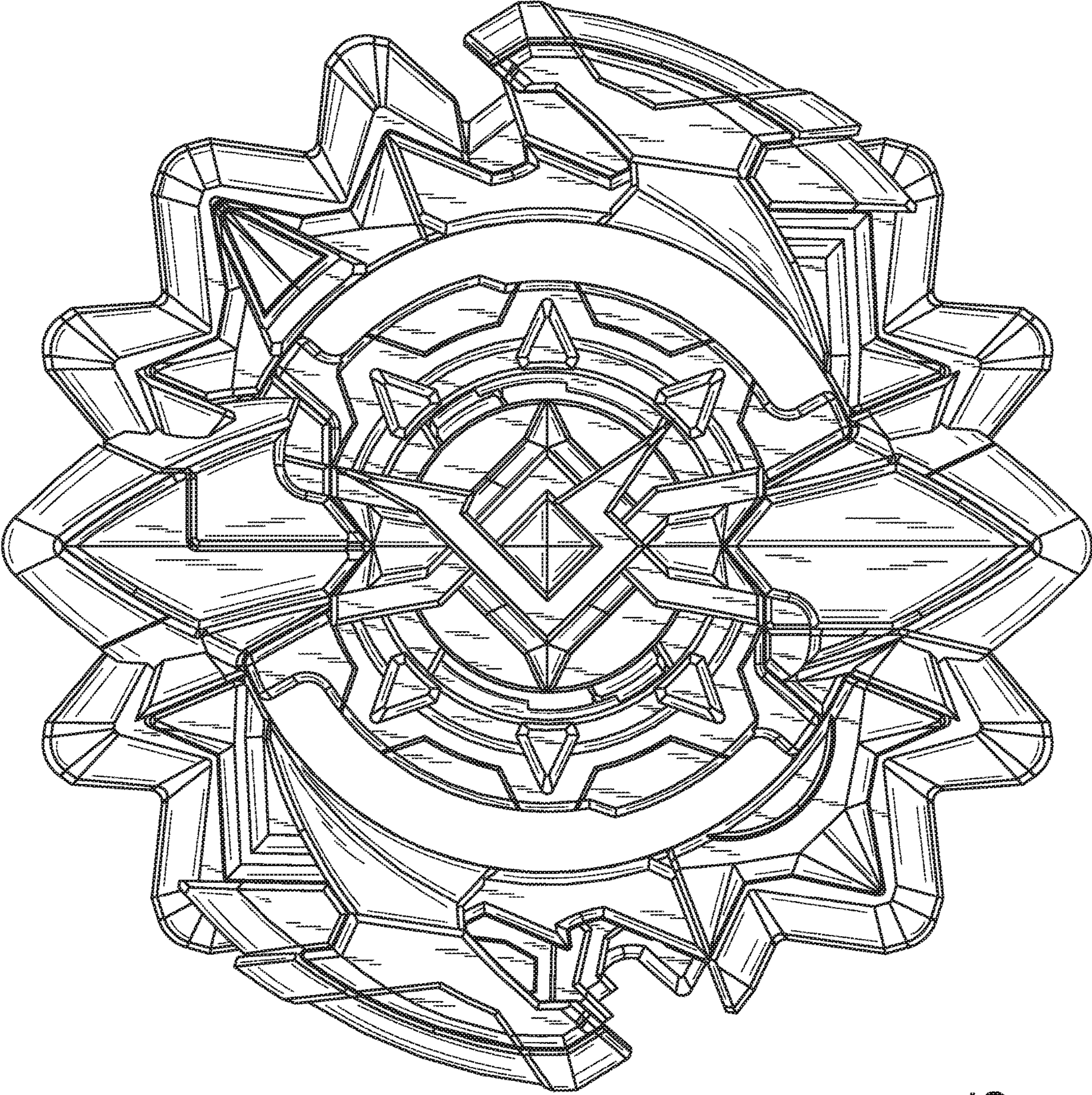


FIG. 5

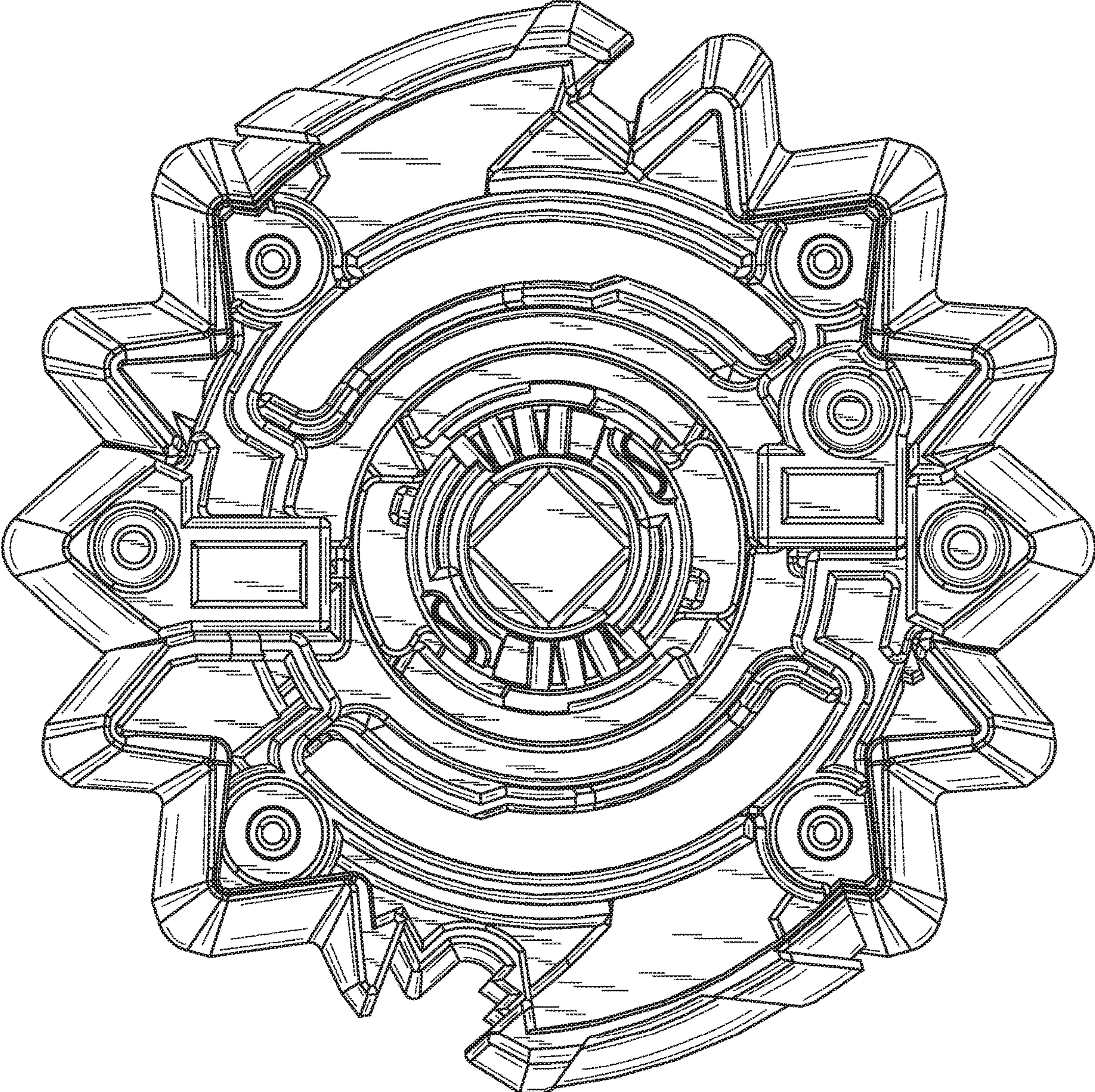


FIG. 6

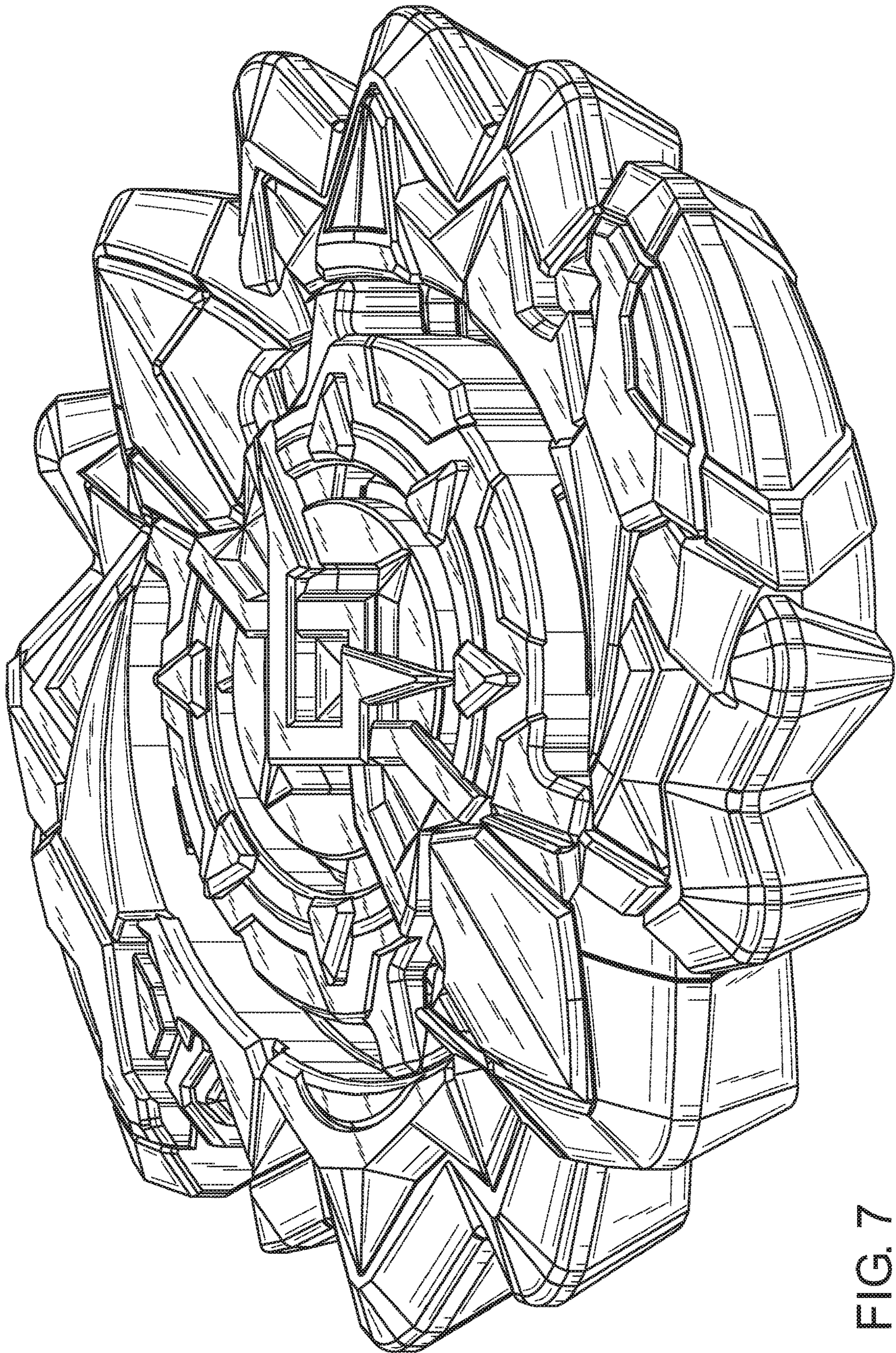
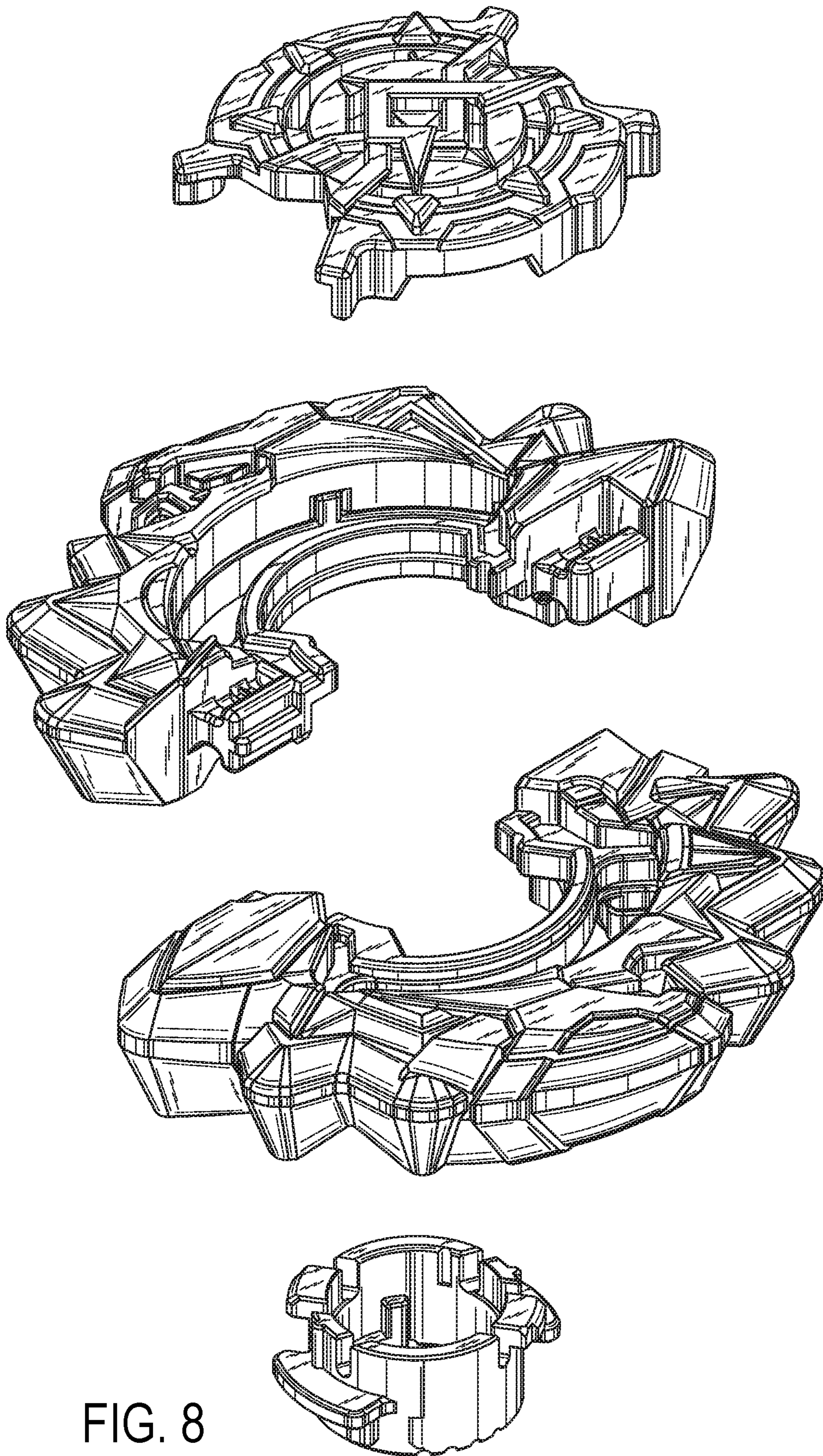


FIG. 7



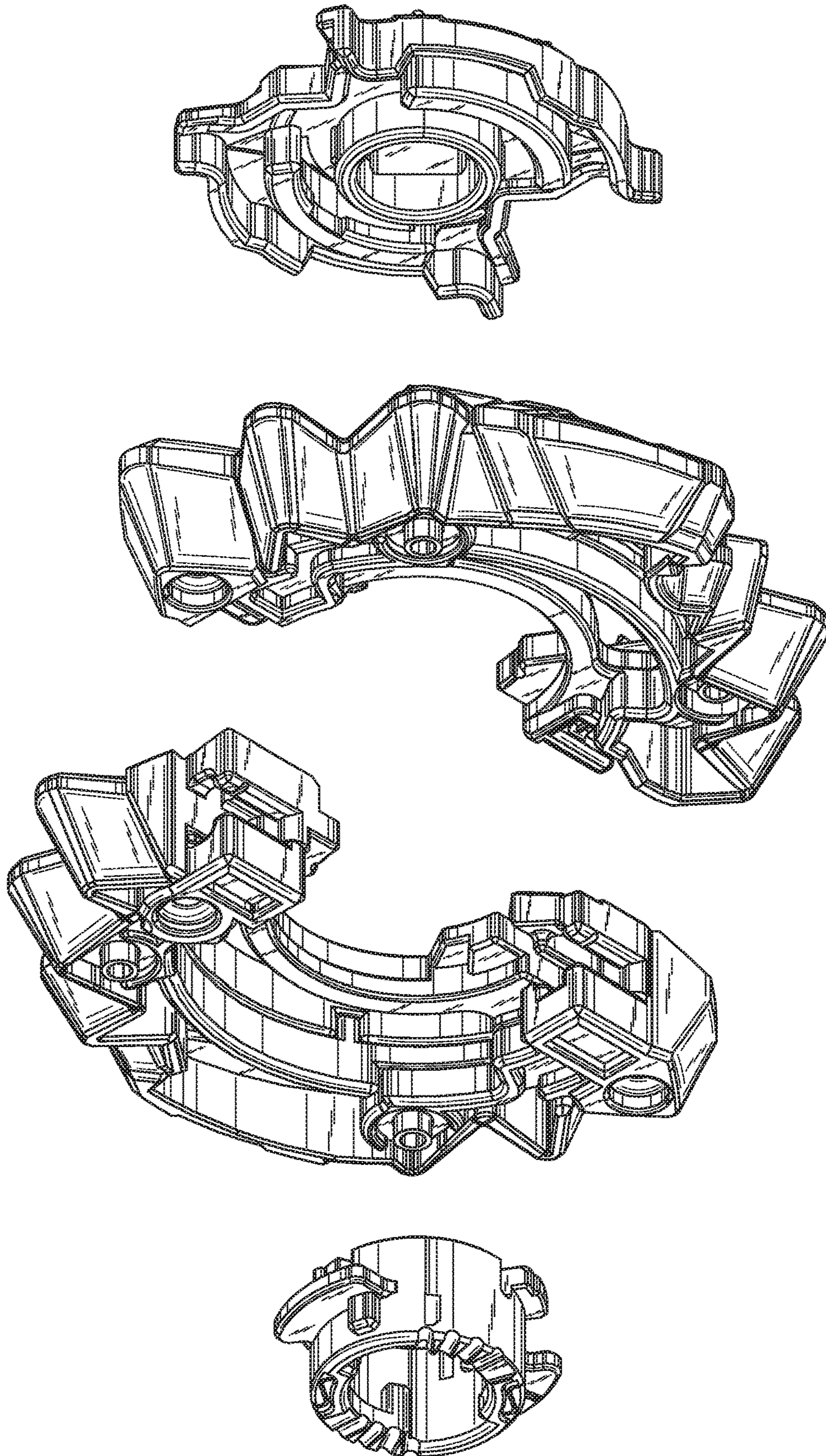


FIG. 9