



US00D884800S

(12) **United States Design Patent**  
**Zhang**

(10) **Patent No.:** **US D884,800 S**

(45) **Date of Patent:** **\*\* May 19, 2020**

(54) **SCOOTER**

(71) Applicant: **Shenzhen COOGHI Funkids Technology Co., Ltd, Shenzhen (CN)**

(72) Inventor: **Jun Zhang, Shenzhen (CN)**

(73) Assignee: **SHENZHEN COOGHI FUNKIDS TECHNOLOGY CO., LTD, Shenzhen (CN)**

(\*\*) Term: **15 Years**

(21) Appl. No.: **29/668,813**

(22) Filed: **Nov. 2, 2018**

(51) **LOC (12) Cl.** ..... **21-01**

(52) **U.S. Cl.**  
USPC ..... **D21/423**

(58) **Field of Classification Search**  
USPC ..... D21/419, 421, 423, 426–428, 435,  
D21/668–671, 760, 765, 771  
CPC ..... B62K 3/002; B62K 15/00; B62K 21/16;  
B62M 1/00; B62M 1/36  
See application file for complete search history.

(56) **References Cited**

**U.S. PATENT DOCUMENTS**

D326,290 S *	5/1992	Badsey .....	D12/110
D701,271 S *	3/2014	Grout .....	D21/419
D728,033 S *	4/2015	O’Connell .....	D21/423
D736,861 S *	8/2015	Eckert .....	D21/423
D738,435 S *	9/2015	O’Connell .....	D21/423
D745,608 S *	12/2015	Xu .....	D21/423
D746,924 S *	1/2016	Delgatty .....	D21/423
D749,174 S *	2/2016	O’Connell .....	D21/423
D750,711 S *	3/2016	Delgatty .....	D21/423
D755,305 S *	5/2016	Edlauer .....	D21/423
D756,465 S *	5/2016	Byrne .....	D21/423

D774,979 S *	12/2016	Delgatty .....	D12/111
D777,261 S *	1/2017	Desberg .....	D21/423
D785,716 S *	5/2017	Herlitz .....	D21/423
D795,354 S *	8/2017	Desberg .....	D21/423
D834,098 S *	11/2018	Desberg .....	D21/423
D835,204 S *	12/2018	Yao .....	D21/423
D835,205 S *	12/2018	Yao .....	D21/423
D842,384 S *	3/2019	Kirchschlager .....	D21/419
D848,536 S *	5/2019	Lee .....	D21/423
D848,563 S *	5/2019	Cao .....	D21/765
D859,535 S *	9/2019	Li .....	D21/423
D860,330 S *	9/2019	Xu .....	D21/423
D868,166 S *	11/2019	Kirchschlager .....	D21/423

\* cited by examiner

*Primary Examiner* — Darlington Ly

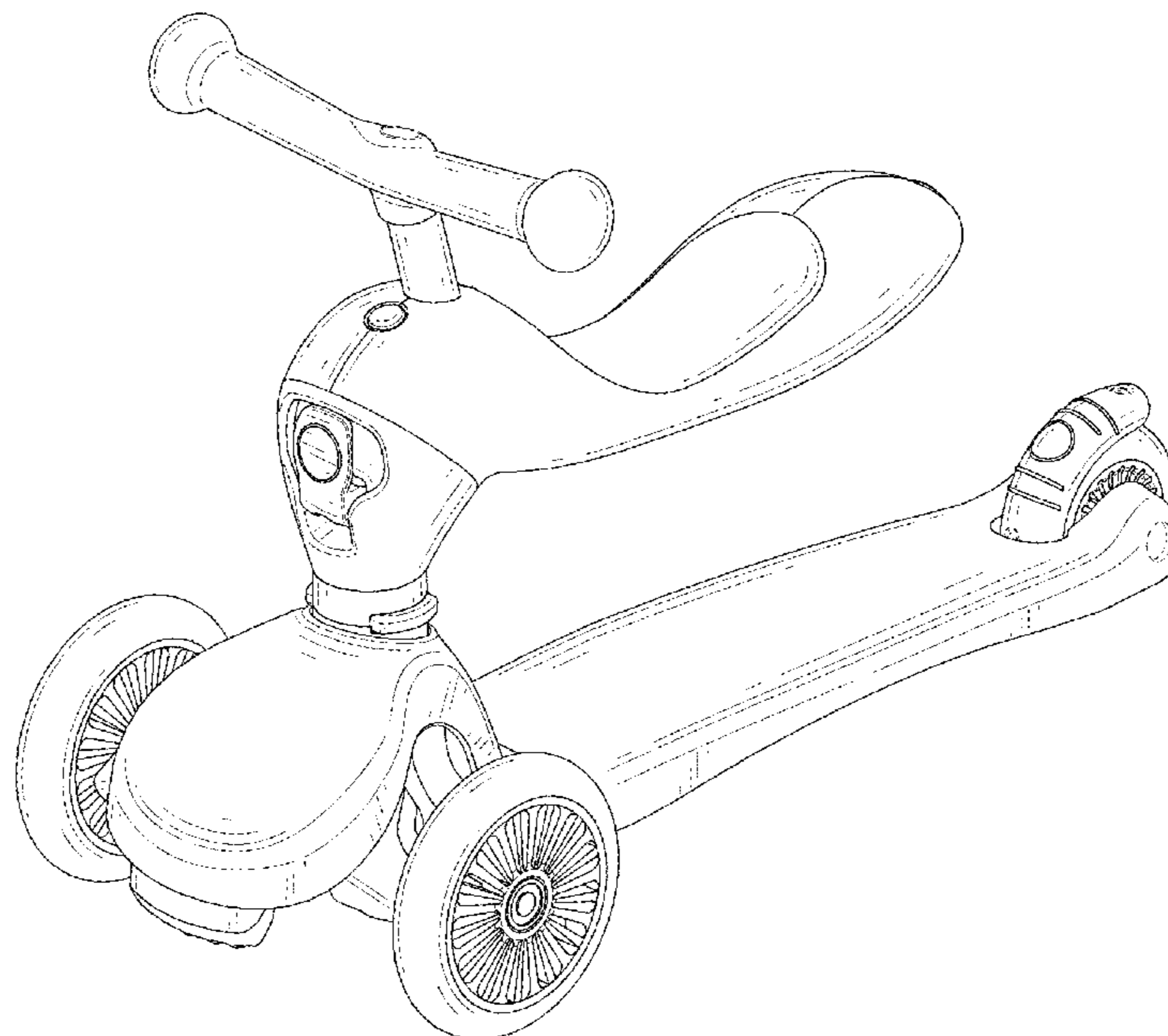
(57) **CLAIM**

The ornamental design for a scooter, as shown and described.

**DESCRIPTION**

FIG. 1 is a perspective view of a scooter showing my new design;  
 FIG. 2 is another perspective view thereof;  
 FIG. 3 is a front elevational view thereof;  
 FIG. 4 is a rear elevational view thereof;  
 FIG. 5 is a left side elevational view thereof;  
 FIG. 6 is a right side elevational view thereof;  
 FIG. 7 is a top plan view thereof;  
 FIG. 8 is a bottom plan view thereof;  
 FIG. 9 is a front perspective view of the scooter in the second state; and,  
 FIG. 10 is a bottom perspective view of the scooter in the second state.  
 The broken lines in the drawings are for the purpose of illustrating portions of the scooter that form no part of the claimed design.

**1 Claim, 10 Drawing Sheets**



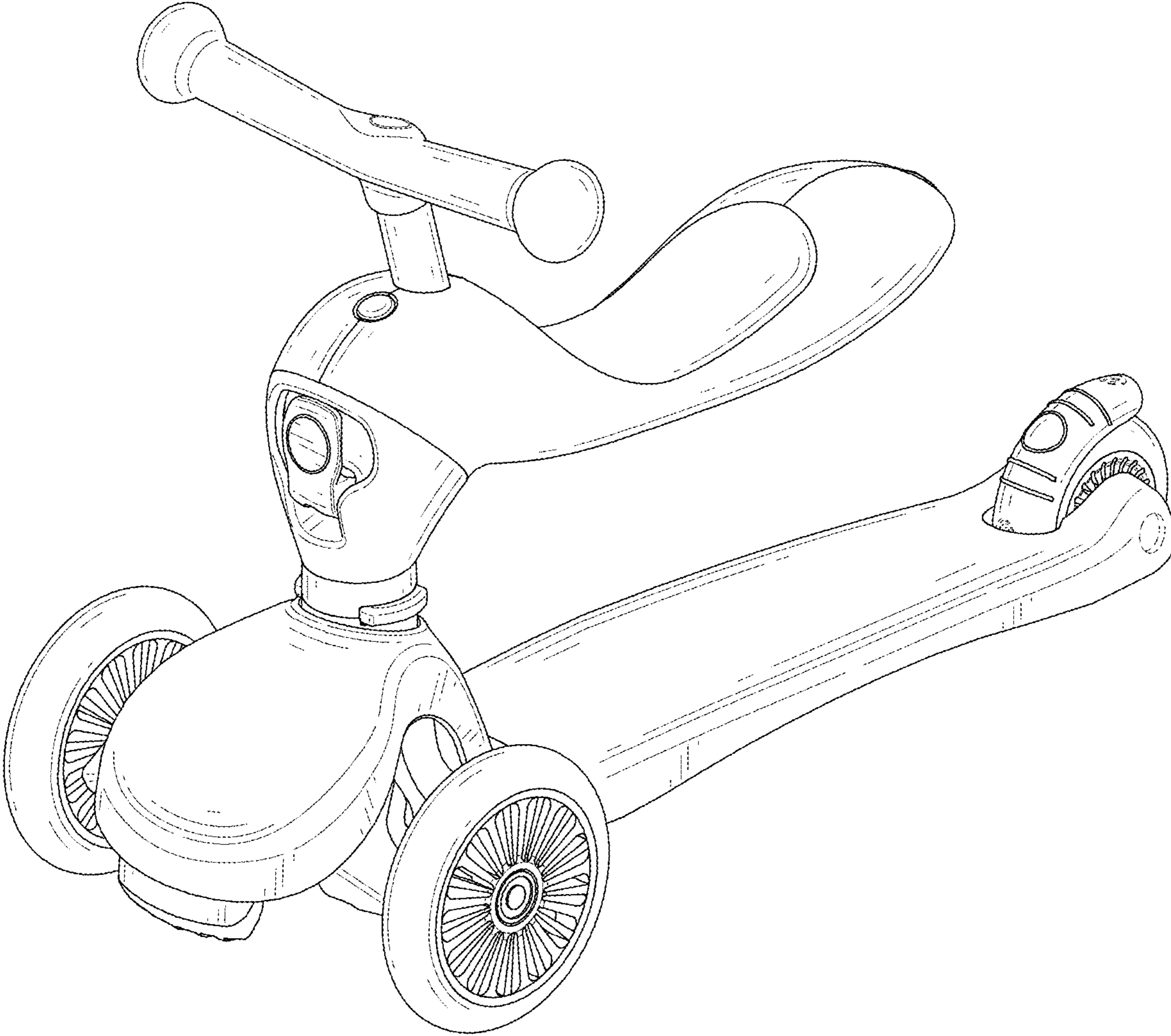


FIG. 1

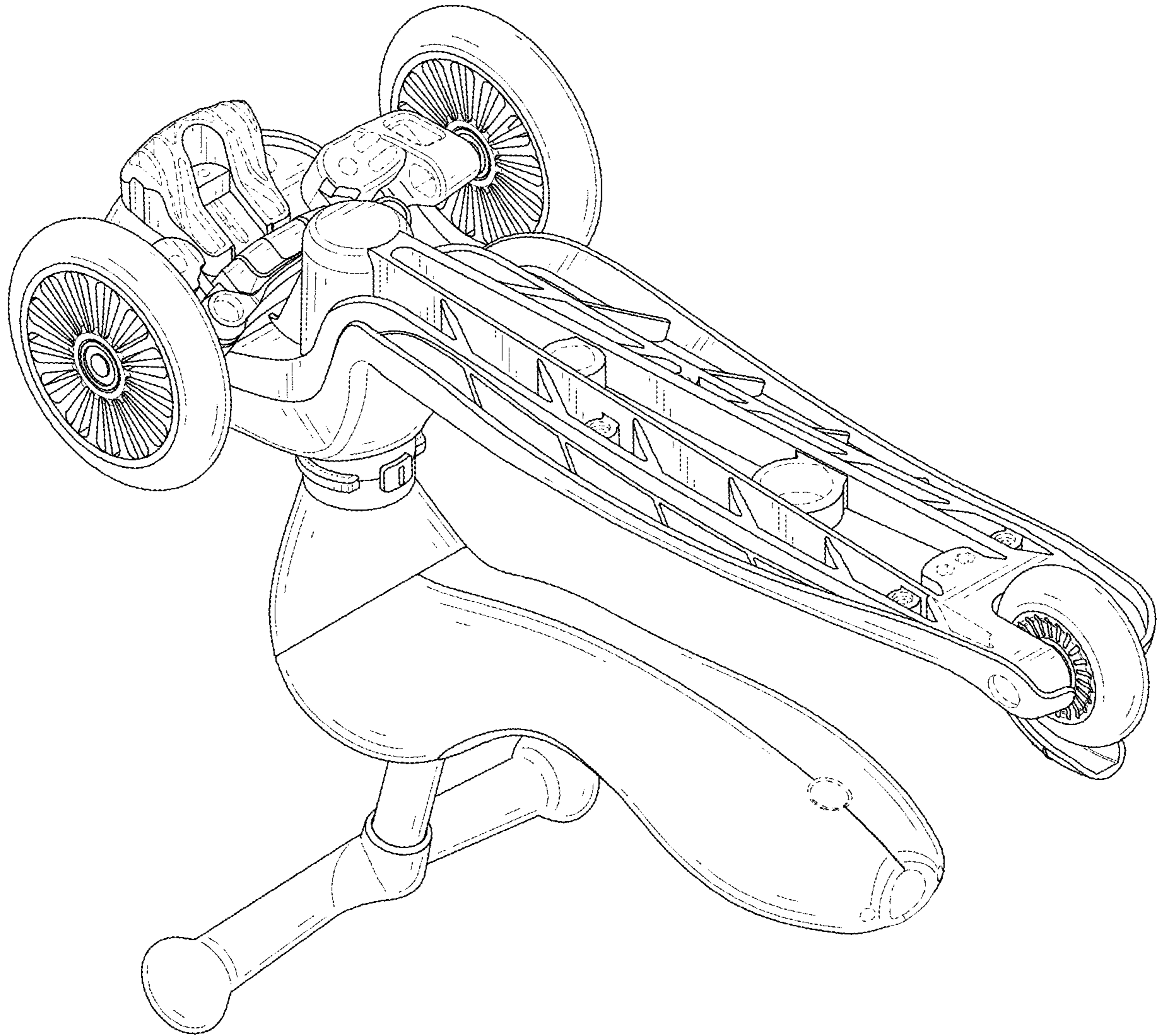


FIG. 2

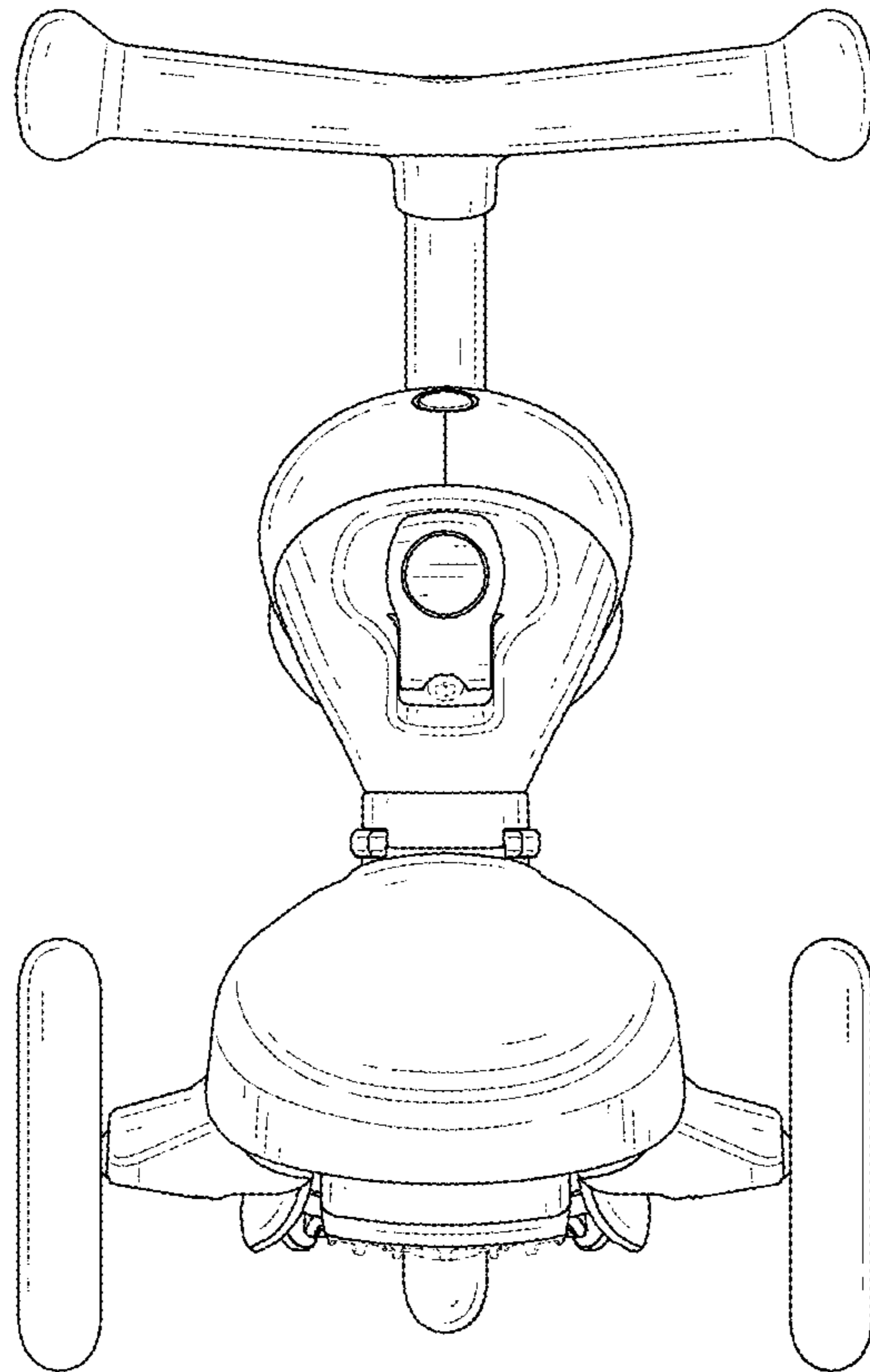


FIG. 3

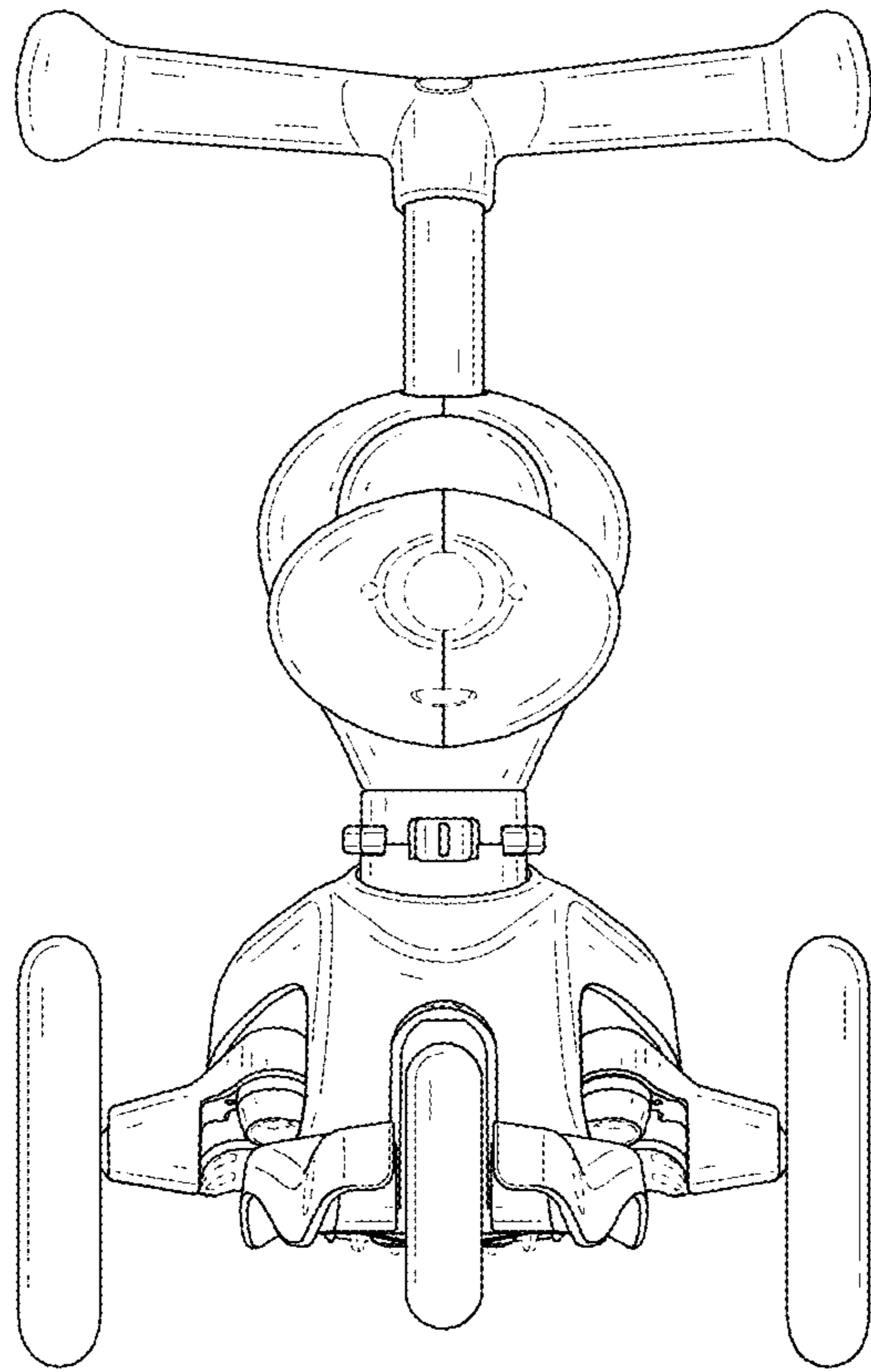


FIG. 4

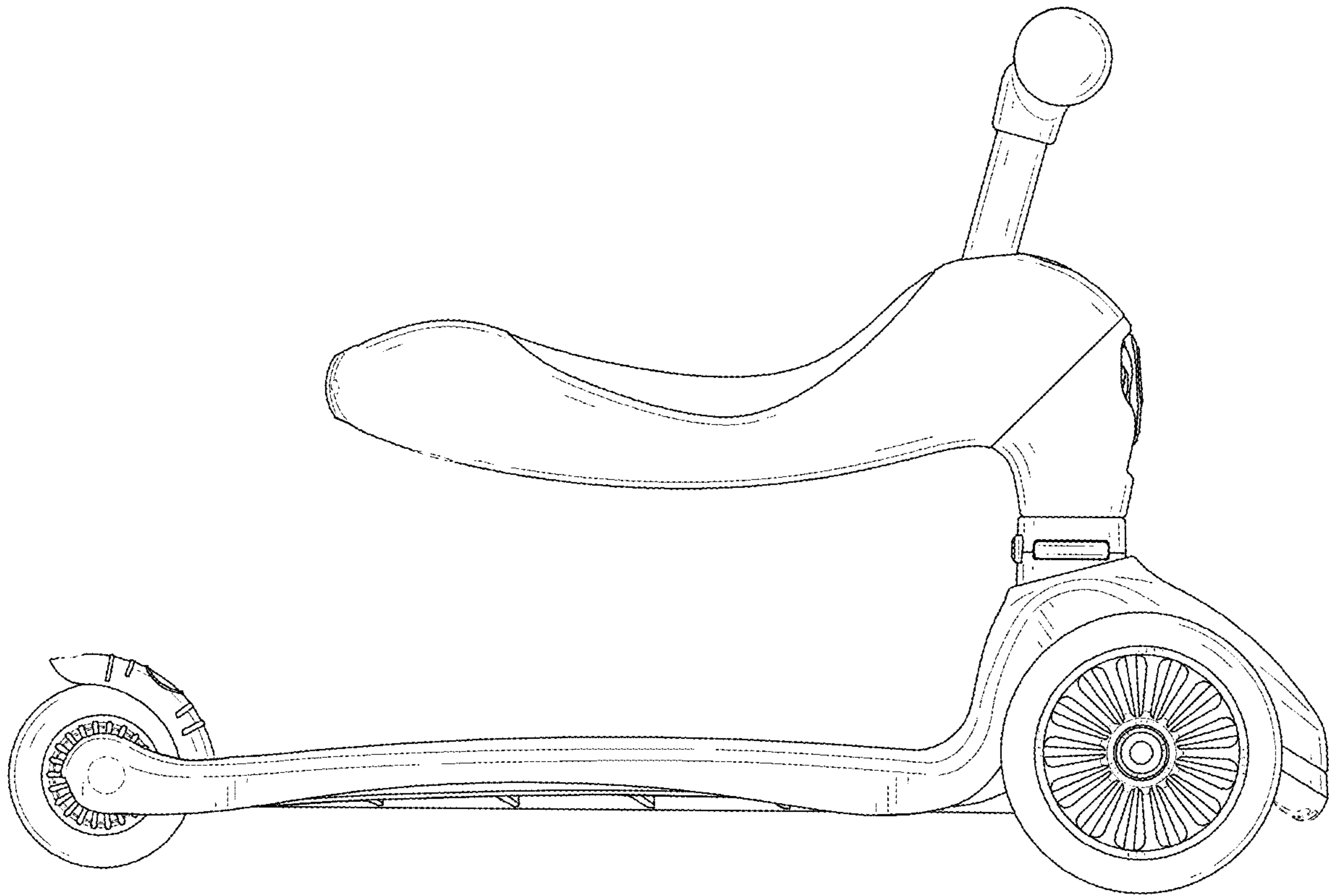


FIG. 5

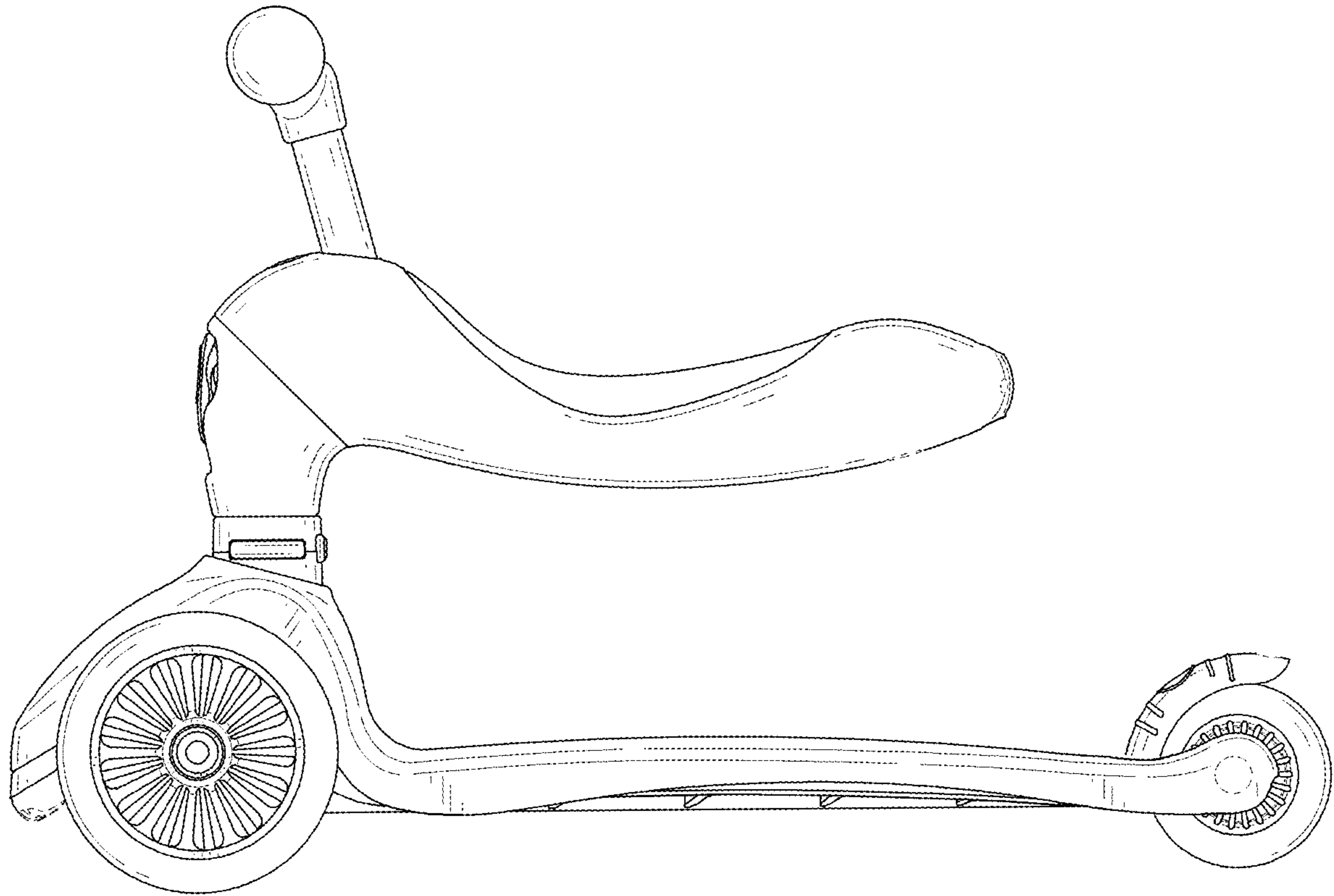


FIG. 6

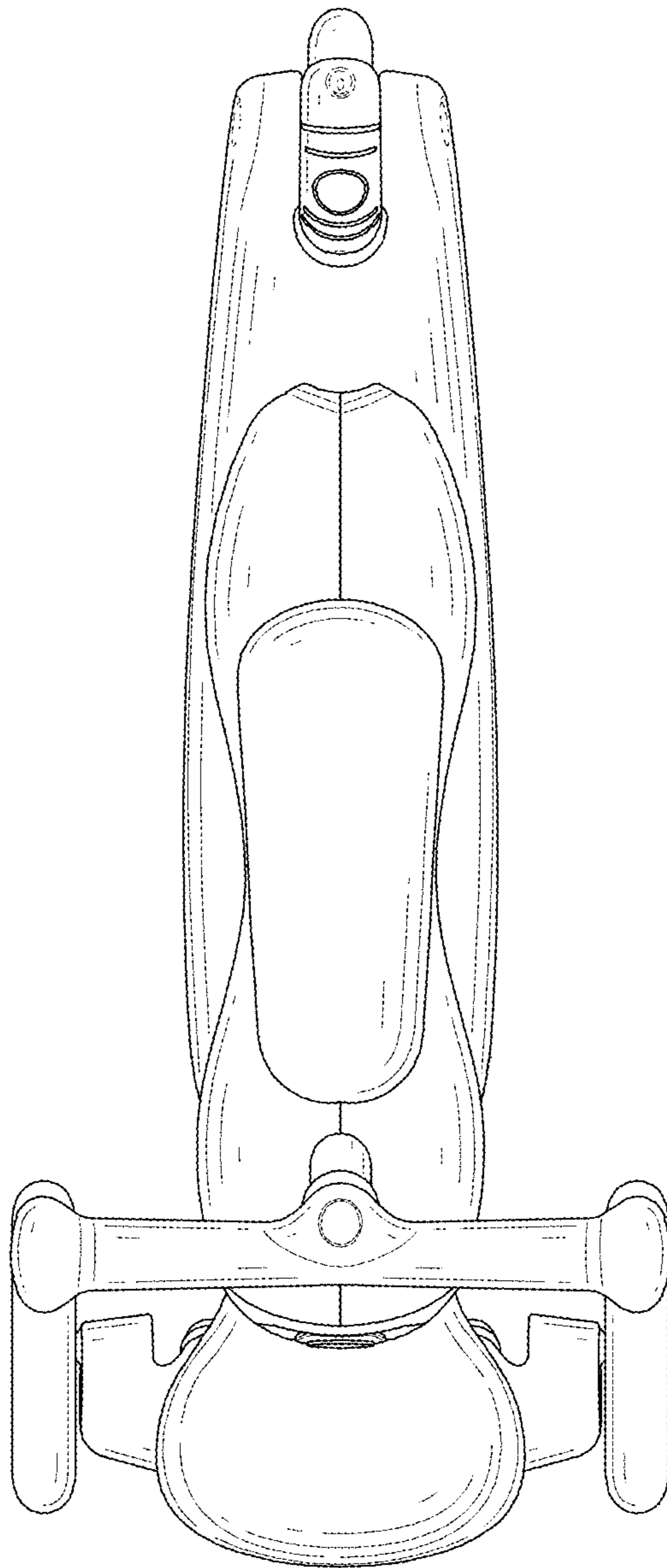


FIG. 7



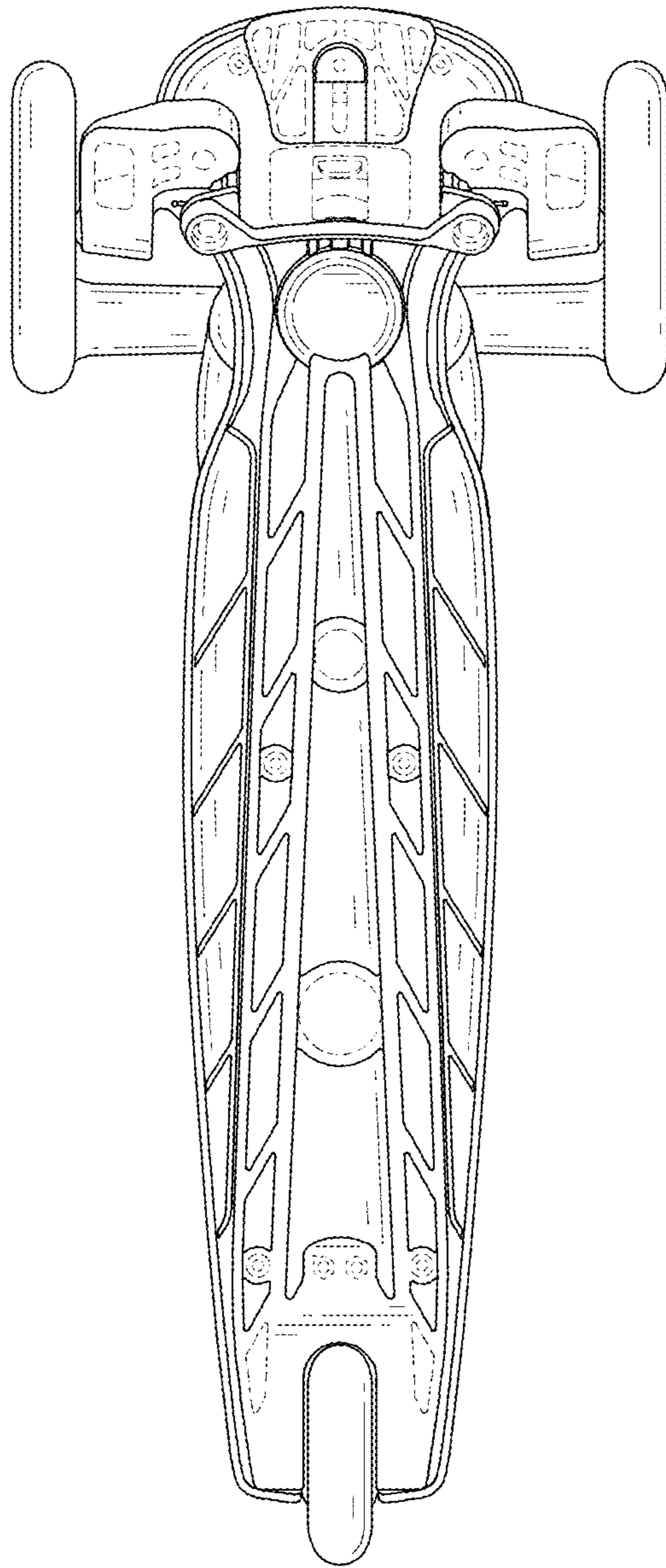


FIG. 8

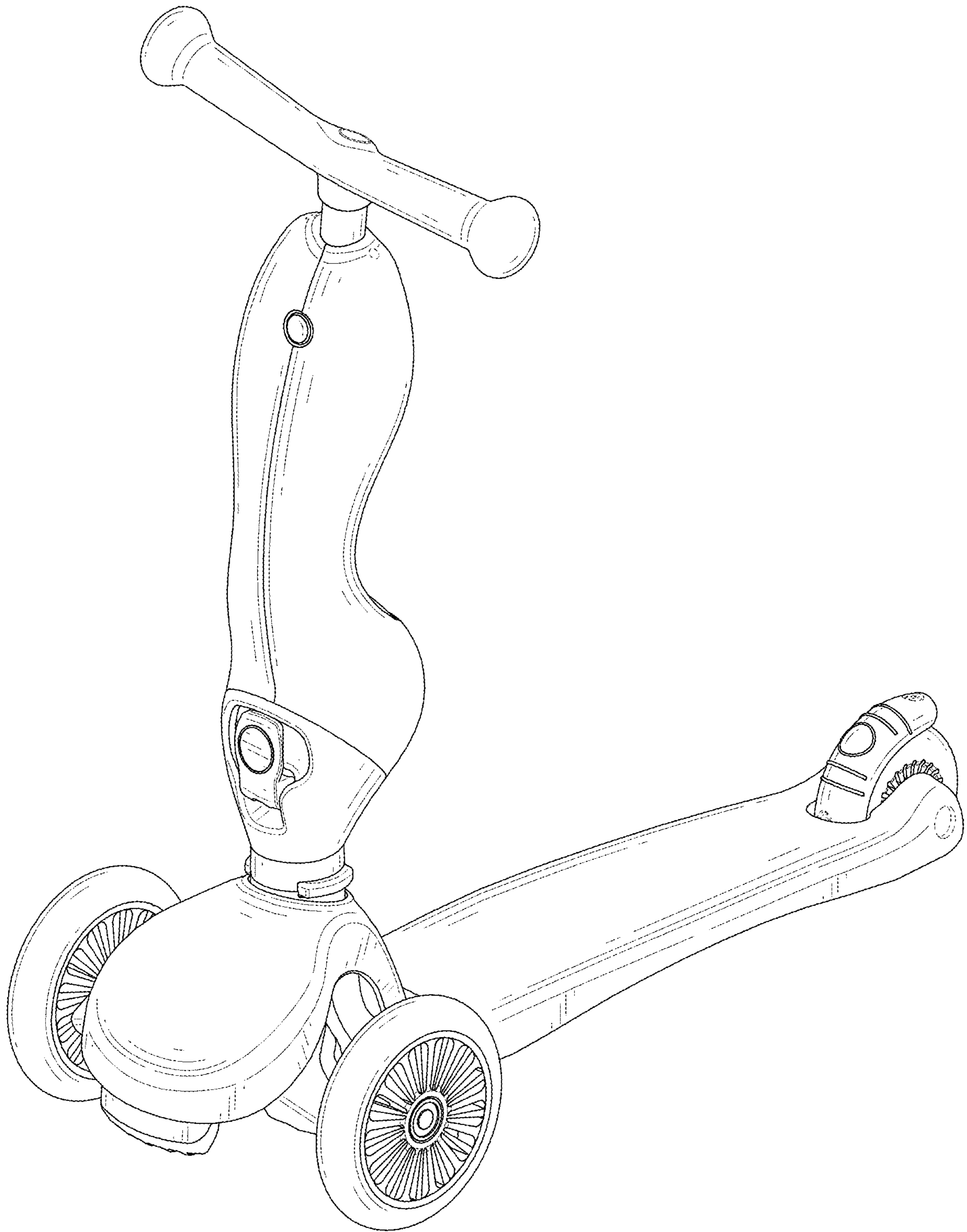


FIG. 9

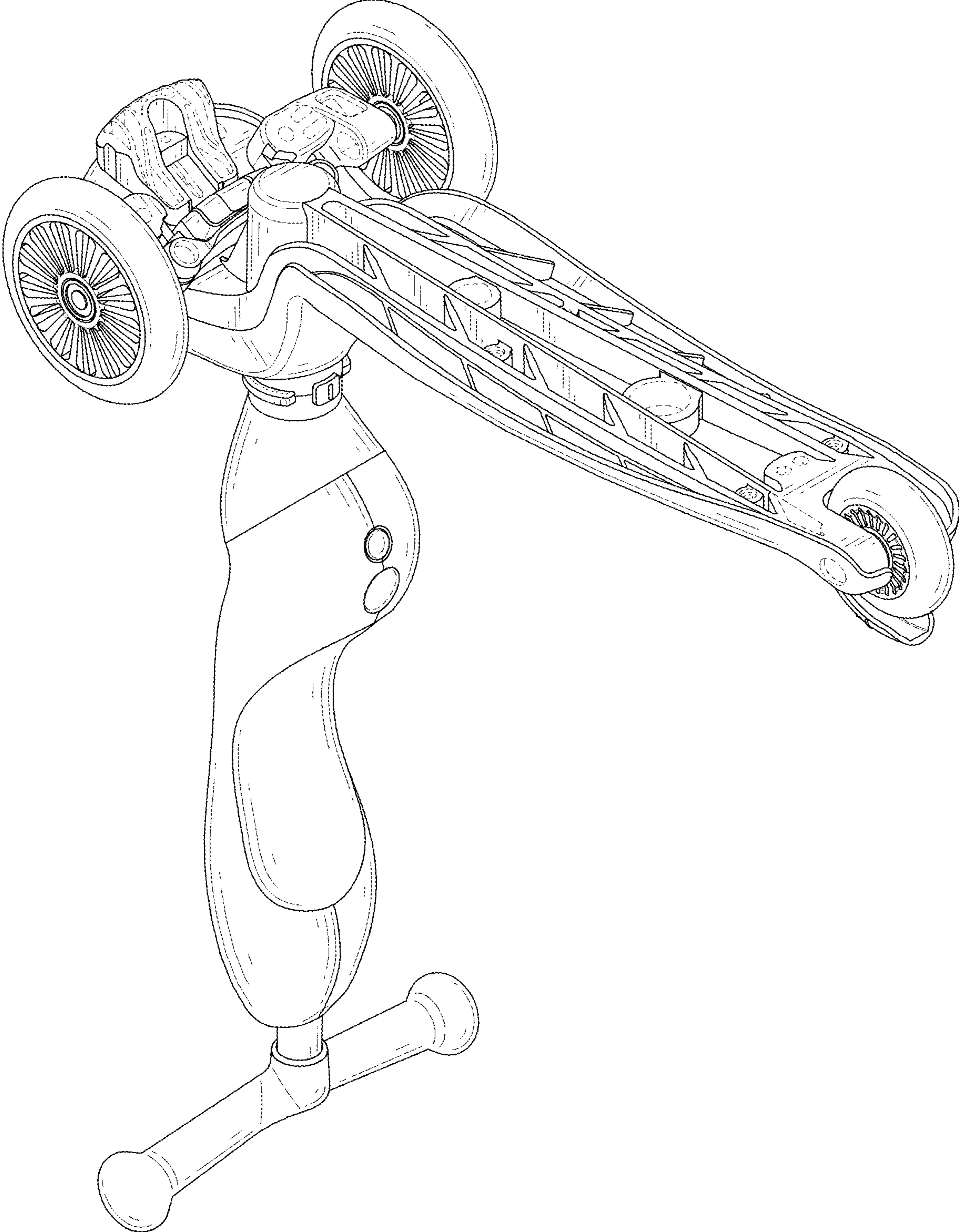


FIG. 10