



US00D884795S

(12) **United States Design Patent** (10) **Patent No.:** **US D884,795 S**  
**Fernandez** (45) **Date of Patent:** **\*\* May 19, 2020**

(54) **TARGET HANGER**  
(71) Applicant: **Andrew Fernandez**, La Verne, CA  
(US)  
(72) Inventor: **Andrew Fernandez**, La Verne, CA  
(US)  
(\*\*) Term: **15 Years**  
(21) Appl. No.: **29/680,953**

D632,147 S \* 2/2011 Yang ..... D8/28  
D658,462 S \* 5/2012 Hsieh ..... D8/28  
D663,178 S \* 7/2012 Tsai ..... D8/28  
8,607,668 B1 \* 12/2013 Frank ..... B67B 7/16  
81/3.09  
D699,087 S \* 2/2014 Yates ..... D8/28  
D701,437 S \* 3/2014 Macor ..... D8/107  
D718,104 S \* 11/2014 Macor ..... D8/21  
D729,543 S \* 5/2015 Gicante ..... D6/552  
D755,592 S \* 5/2016 Bullard ..... D8/17  
D781,674 S \* 3/2017 Bullard ..... D8/17  
(Continued)

(22) Filed: **Feb. 21, 2019**  
(51) **LOC (12) Cl.** ..... **21-01**  
(52) **U.S. Cl.**  
USPC ..... **D21/302**  
(58) **Field of Classification Search**  
USPC ..... D21/302, 304, 561; D11/86, 130, 164,  
D11/181; D8/370, 373; D6/328, 513;  
D32/25, 66; D30/124; D23/208;  
D20/42, 43; D19/65; D13/154; 273/391  
CPC ..... F41J 1/10; F41J 7/04; A63B 67/06  
See application file for complete search history.

**OTHER PUBLICATIONS**

“Deepshouth steel target hanger”, posted Dec. 1, 2019 [online],  
[retrieved Jan. 4, 2019]. Retrieved from internet, <https://ar500-targets.com/product/target-hanger-ar500/#reviews>.\*

*Primary Examiner* — Kevin K Rudzinski  
*Assistant Examiner* — Mehri F Bajoul  
(74) *Attorney, Agent, or Firm* — Dunlap Bennett &  
Ludwig PLLC

(56) **References Cited**

**U.S. PATENT DOCUMENTS**

D234,451 S \* 3/1975 Bloom ..... D8/17  
D308,467 S \* 6/1990 Fenton ..... D8/367  
D434,292 S \* 11/2000 Hsieh ..... D8/28  
D459,960 S \* 7/2002 Wei ..... D8/25  
D477,197 S \* 7/2003 Yates ..... D8/19  
D481,276 S \* 10/2003 Hu ..... D8/28  
D487,681 S \* 3/2004 Hsien ..... D8/21  
6,896,267 B1 \* 5/2005 Le Anna ..... F41J 7/04  
273/391  
D506,371 S \* 6/2005 Hsien ..... D8/21  
D507,466 S \* 7/2005 Hu ..... D8/21  
D520,824 S \* 5/2006 Hsien ..... D8/28  
D545,651 S \* 7/2007 TuanMu ..... D8/25  
D546,649 S \* 7/2007 Jennings ..... D8/21  
D599,412 S \* 9/2009 Sandman ..... D21/301  
D628,348 S \* 11/2010 Chao ..... D30/145

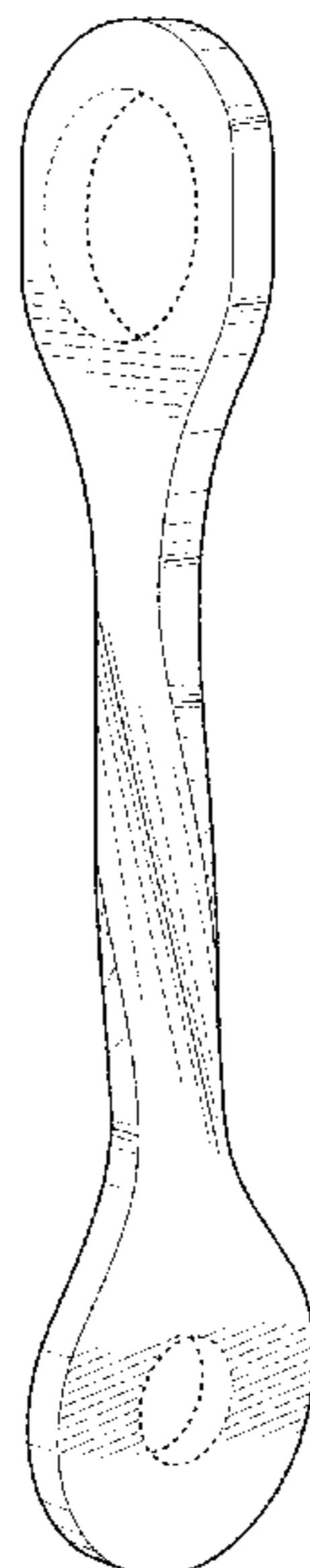
(57) **CLAIM**

The ornamental design for a target hanger, as shown and described.

**DESCRIPTION**

FIG. 1 is a perspective view of a target hanger;  
FIG. 2 is a front elevational view thereof;  
FIG. 3 is another front elevational view shows the design rotated at 180 degree thereof;  
FIG. 4 is a left elevational view of FIG. 1;  
FIG. 5 is right elevational view shows the design rotated at 180 degree of FIG. 1;  
FIG. 6 is a top plan view of FIG. 1; and,  
FIG. 7 is a bottom plan view of FIG. 1.  
The broken lines shown in the drawings depict portions of the target hanger that form no part of the claimed invention.

**1 Claim, 4 Drawing Sheets**



(56)

**References Cited**

U.S. PATENT DOCUMENTS

D833,839 S \* 11/2018 Scano ..... D8/17  
D842,666 S \* 3/2019 Macor ..... D8/21  
D848,815 S \* 5/2019 Mellin ..... D8/303  
D867,457 S \* 11/2019 Sweeney ..... D21/303  
2017/0010075 A1 \* 1/2017 Miller ..... F41J 7/04  
2017/0184378 A1 \* 6/2017 Fernandez ..... F41J 1/10  
2018/0087880 A1 \* 3/2018 Fernandez ..... F41J 7/04

\* cited by examiner

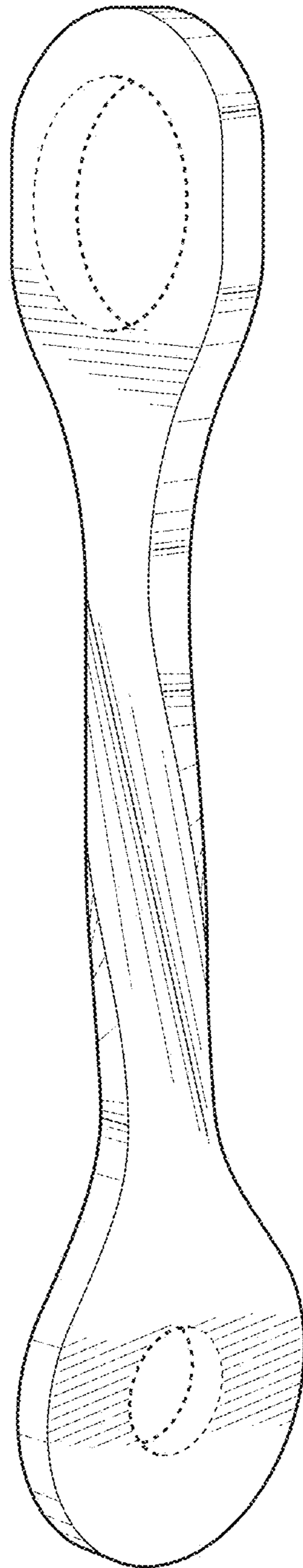


FIG. 1

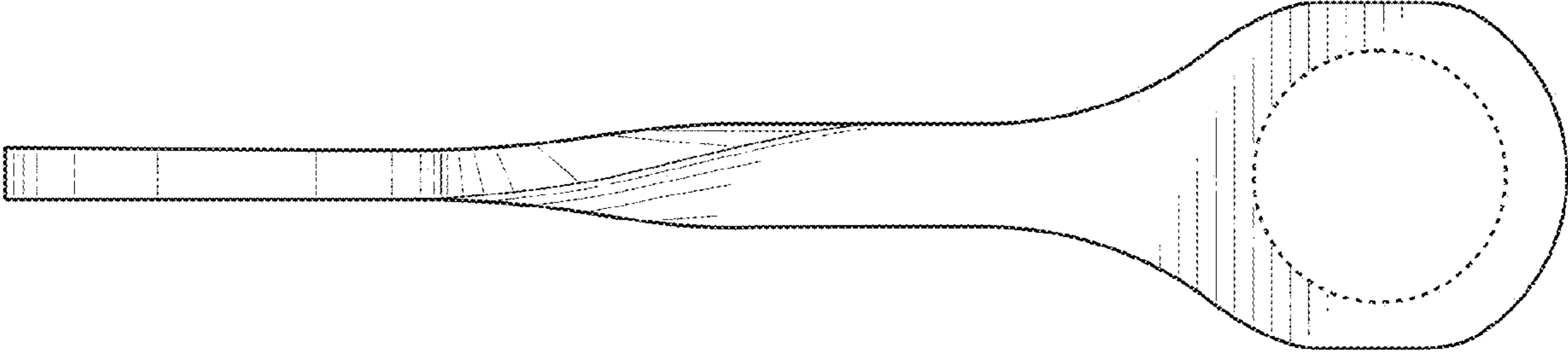


FIG. 3

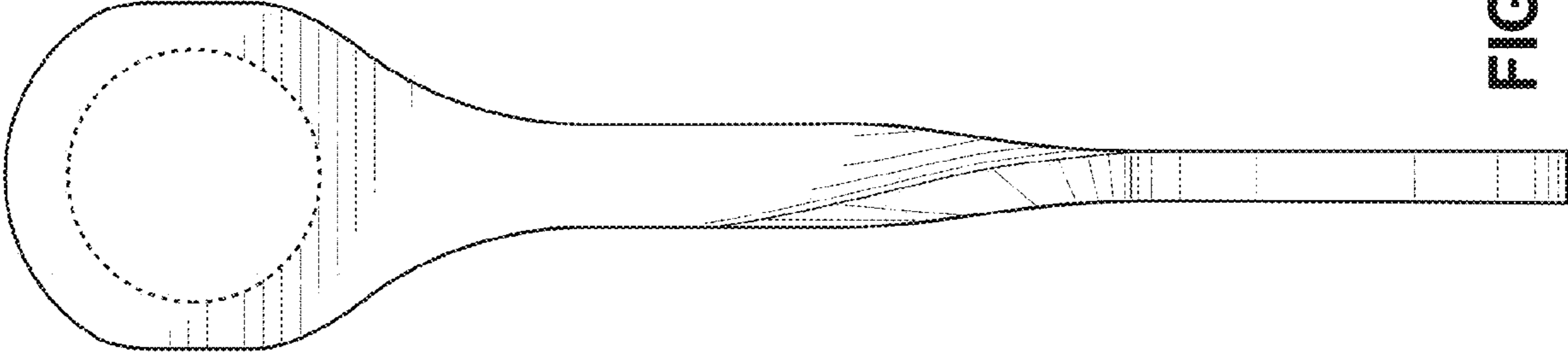


FIG. 2

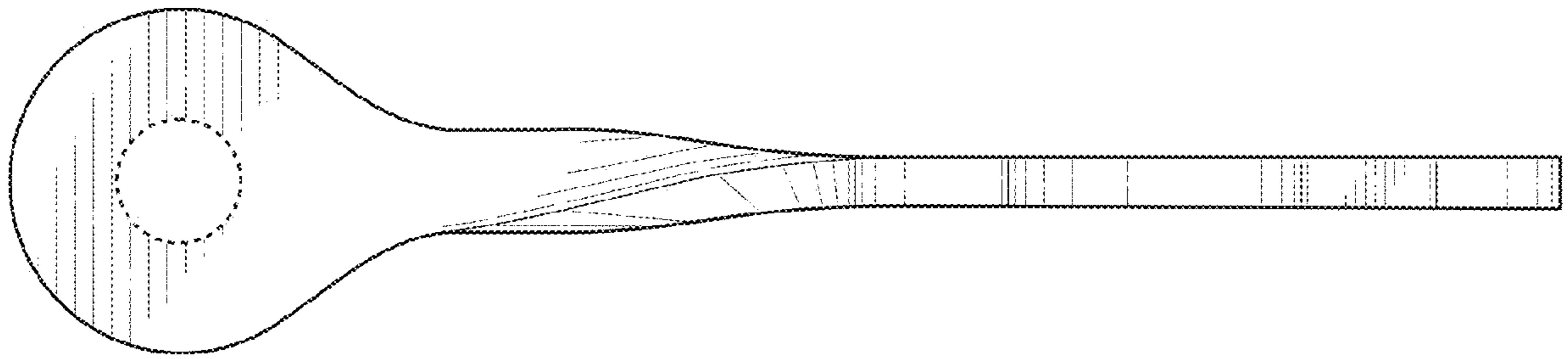


FIG. 4

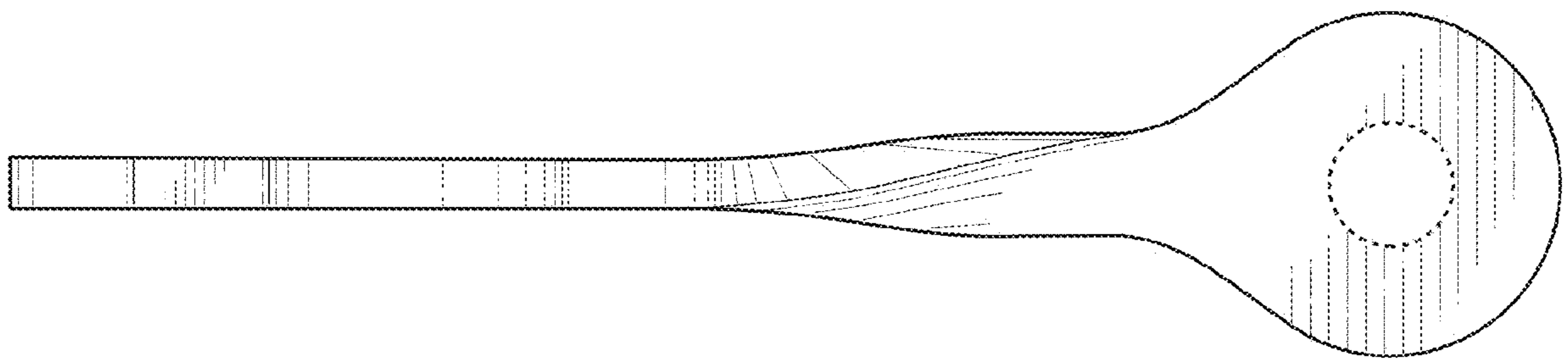
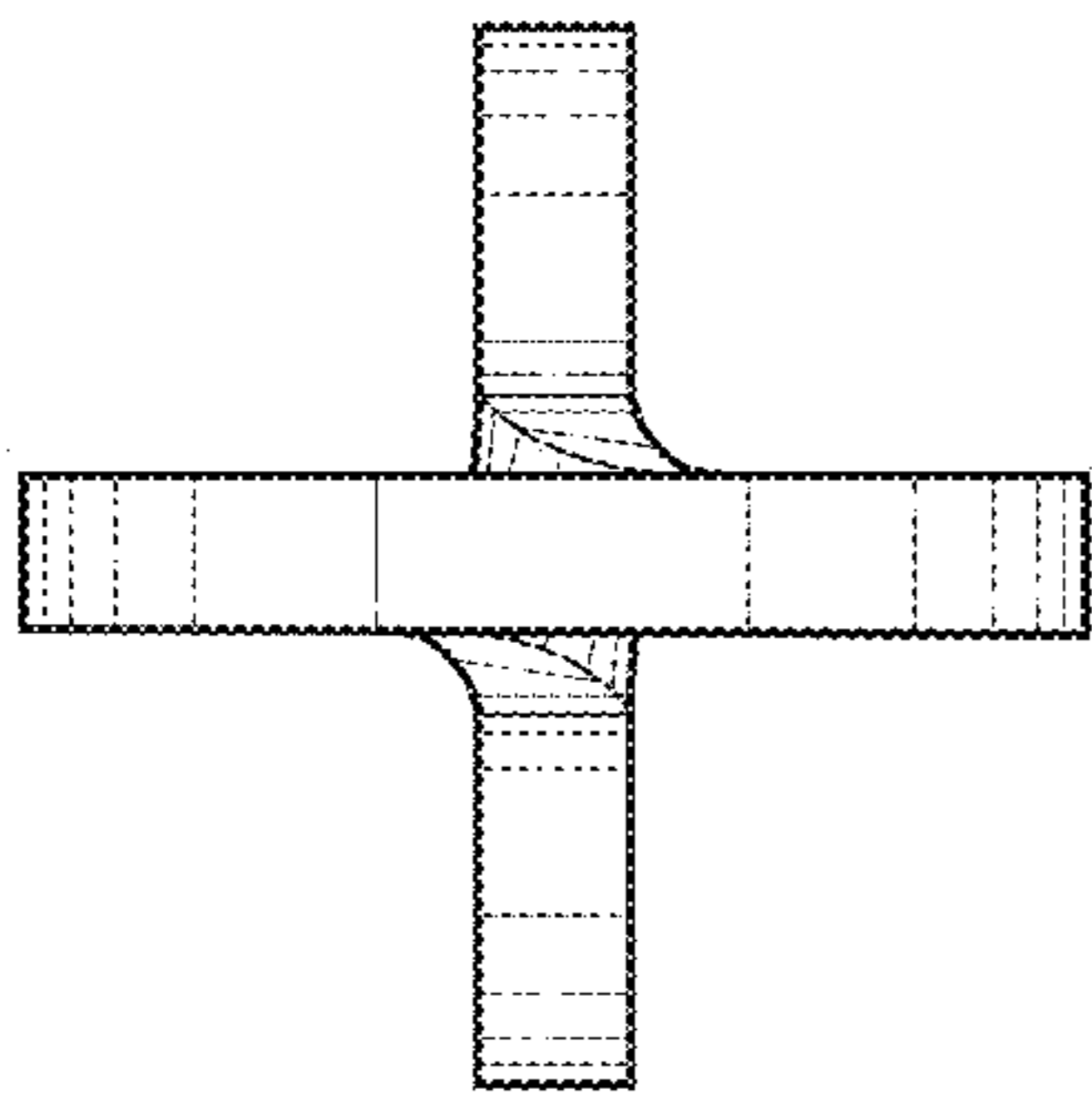
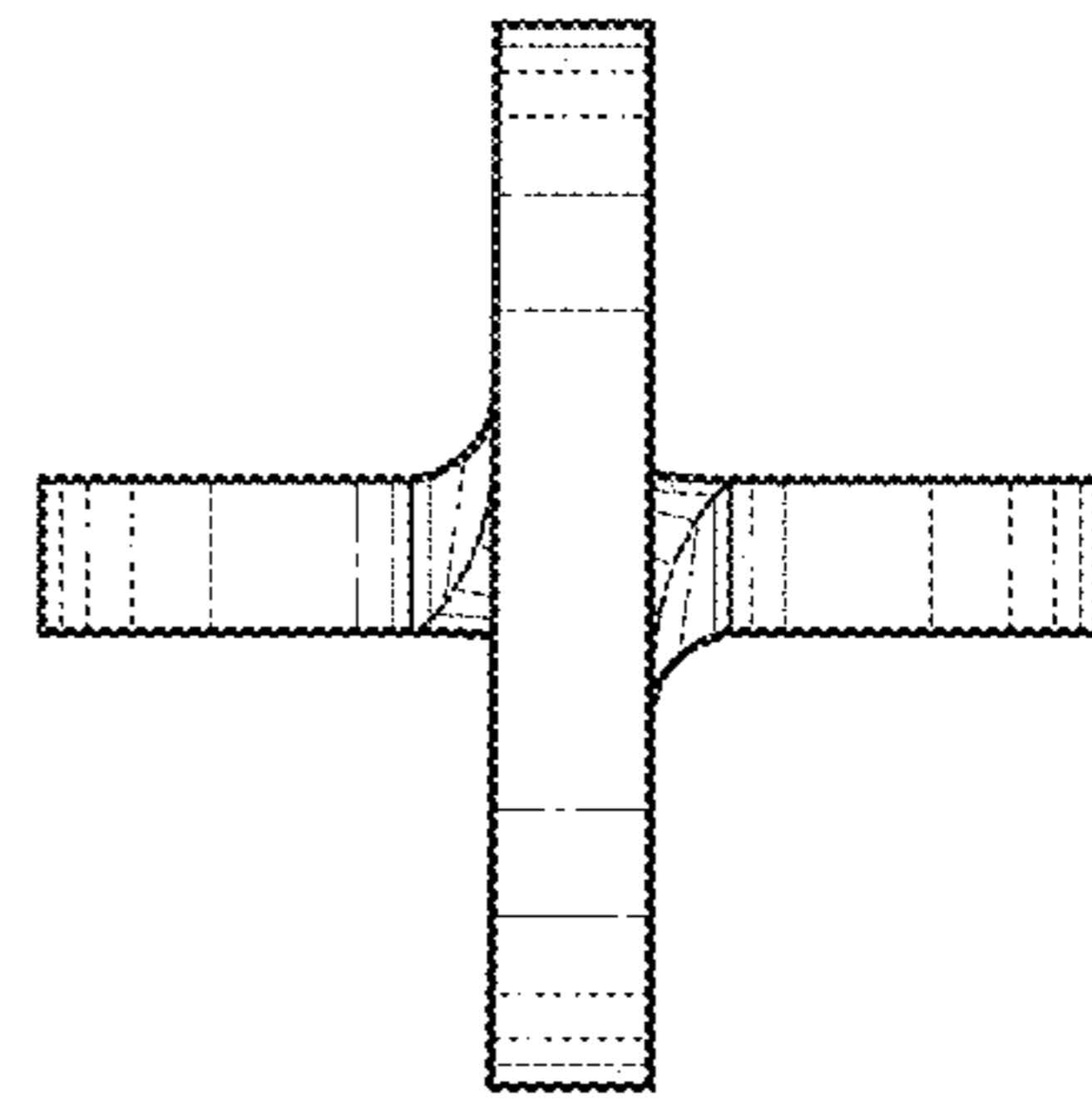


FIG. 5



**FIG. 6**



**FIG. 7**