



US00D884794S

(12) **United States Design Patent**  
**Koberstine et al.**

(10) **Patent No.:** **US D884,794 S**

(45) **Date of Patent:** **\*\* May 19, 2020**

- (54) **CATAPULT**
- (71) Applicant: **The Prophet Corporation**, Owatonna, MN (US)
- (72) Inventors: **Jason Butler Koberstine**, Apple Valley, MN (US); **Todd Russell Jennings**, Sunfish Lake, MN (US)
- (73) Assignee: **The Prophet Corporation**, Owatonna, MN (US)

D422,028 S *	3/2000	Warner	.....	D21/720
6,102,405 A *	8/2000	Spikes	.....	A63F 9/0073
				273/351
D500,092 S *	12/2004	Carbonero	.....	D21/301
D755,900 S *	5/2016	Goitein	.....	D21/453
D788,235 S *	5/2017	Lantz	.....	D21/699
D789,466 S *	6/2017	Cho	.....	D21/699
D805,129 S *	12/2017	Nagata	.....	D21/301
D860,325 S *	9/2019	Ding	.....	D21/303
2019/0290989 A1 *	9/2019	Palanethra	.....	F41B 3/03
2019/0318657 A1 *	10/2019	Koberstine	.....	G09B 23/06
2019/0318658 A1 *	10/2019	Koberstine	.....	F41B 3/03

(\*\*) Term: **15 Years**

(21) Appl. No.: **29/644,263**

(22) Filed: **Apr. 16, 2018**

(51) **LOC (12) Cl.** ..... **21-01**

(52) **U.S. Cl.**  
USPC ..... **D21/301**

(58) **Field of Classification Search**  
USPC ..... D21/300, 301, 302, 303, 304, 305, 309,  
D21/312, 314, 334, 335, 436, 453, 707,  
D21/715, 722, 797; D30/118, 119;  
D25/15, 29, 61; 124/4, 7, 20.1, 36, 49  
CPC ..... G09B 23/06; F41B 3/03  
See application file for complete search history.

(56) **References Cited**

U.S. PATENT DOCUMENTS

1,152,186 A *	8/1915	Koehler	.....	A63B 69/408
				124/7
1,374,757 A *	4/1921	Napier	.....	F41J 9/20
				124/26
3,605,715 A *	9/1971	Welbourn	.....	F41J 9/20
				124/7
3,638,633 A *	2/1972	Clark	.....	F41B 3/03
				124/4
5,439,212 A *	8/1995	Hart	.....	A63B 69/408
				124/7
D366,908 S *	2/1996	Crennen	.....	D21/454

\* cited by examiner

*Primary Examiner* — Kevin K Rudzinski

*Assistant Examiner* — Mehri F Bajoul

(74) *Attorney, Agent, or Firm* — Merchant & Gould P.C.

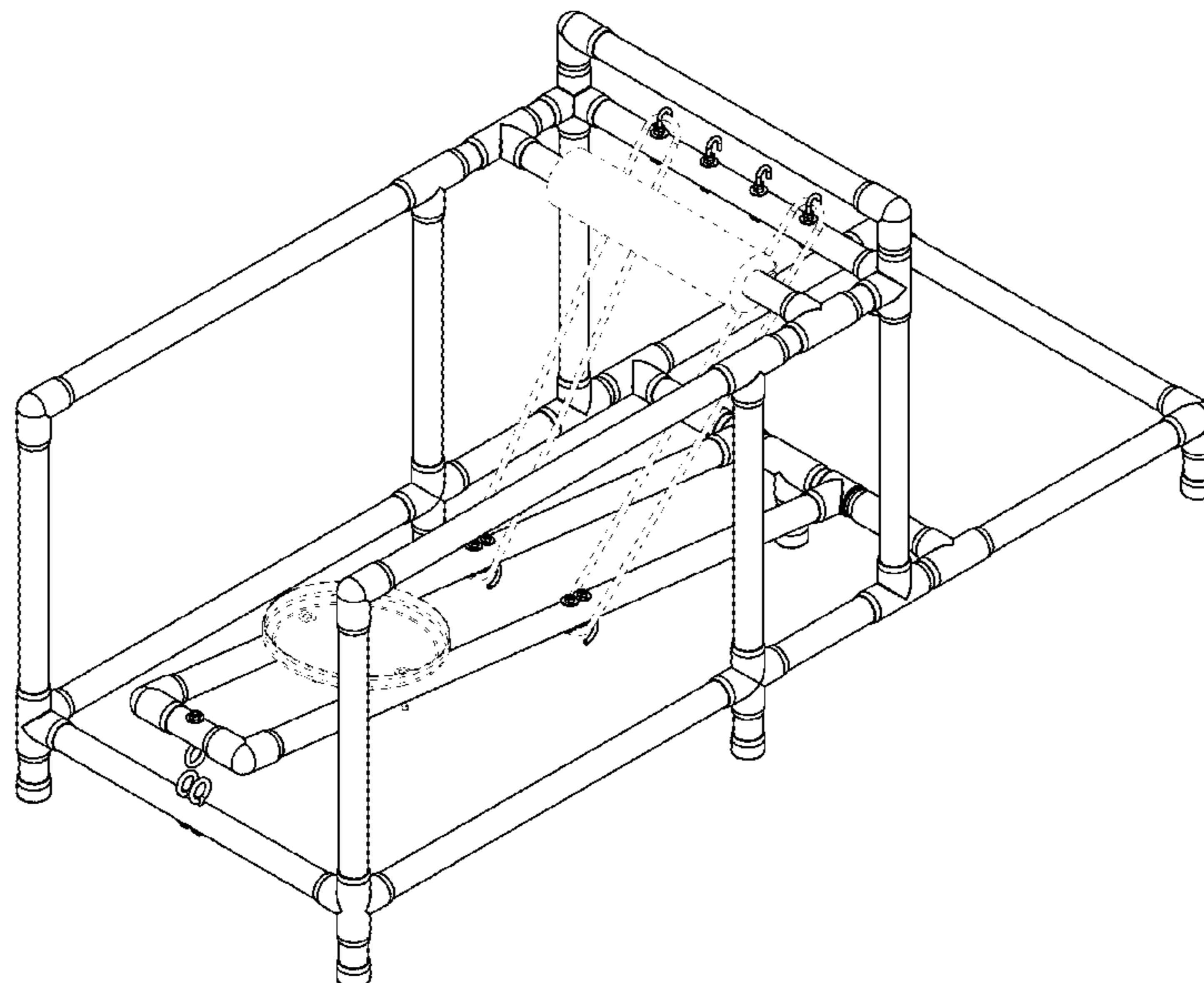
(57) **CLAIM**

The ornamental design for a catapult, as shown and described.

**DESCRIPTION**

FIG. 1 is a top perspective view of a catapult showing our new design;  
 FIG. 2 is a bottom perspective view of the catapult of FIG. 1;  
 FIG. 3 is a front elevational view of the catapult of FIG. 1;  
 FIG. 4 is a rear elevational view of the catapult of FIG. 1;  
 FIG. 5 is a right side elevational view of the catapult of FIG. 1;  
 FIG. 6 is a left side elevational view of the catapult of FIG. 1;  
 FIG. 7 is a top plan view of the catapult of FIG. 1; and,  
 FIG. 8 is a bottom plan view of the catapult of FIG. 1.  
 The broken lines in the drawings illustrate portions of the catapult that form no part of the claim.

**1 Claim, 7 Drawing Sheets**



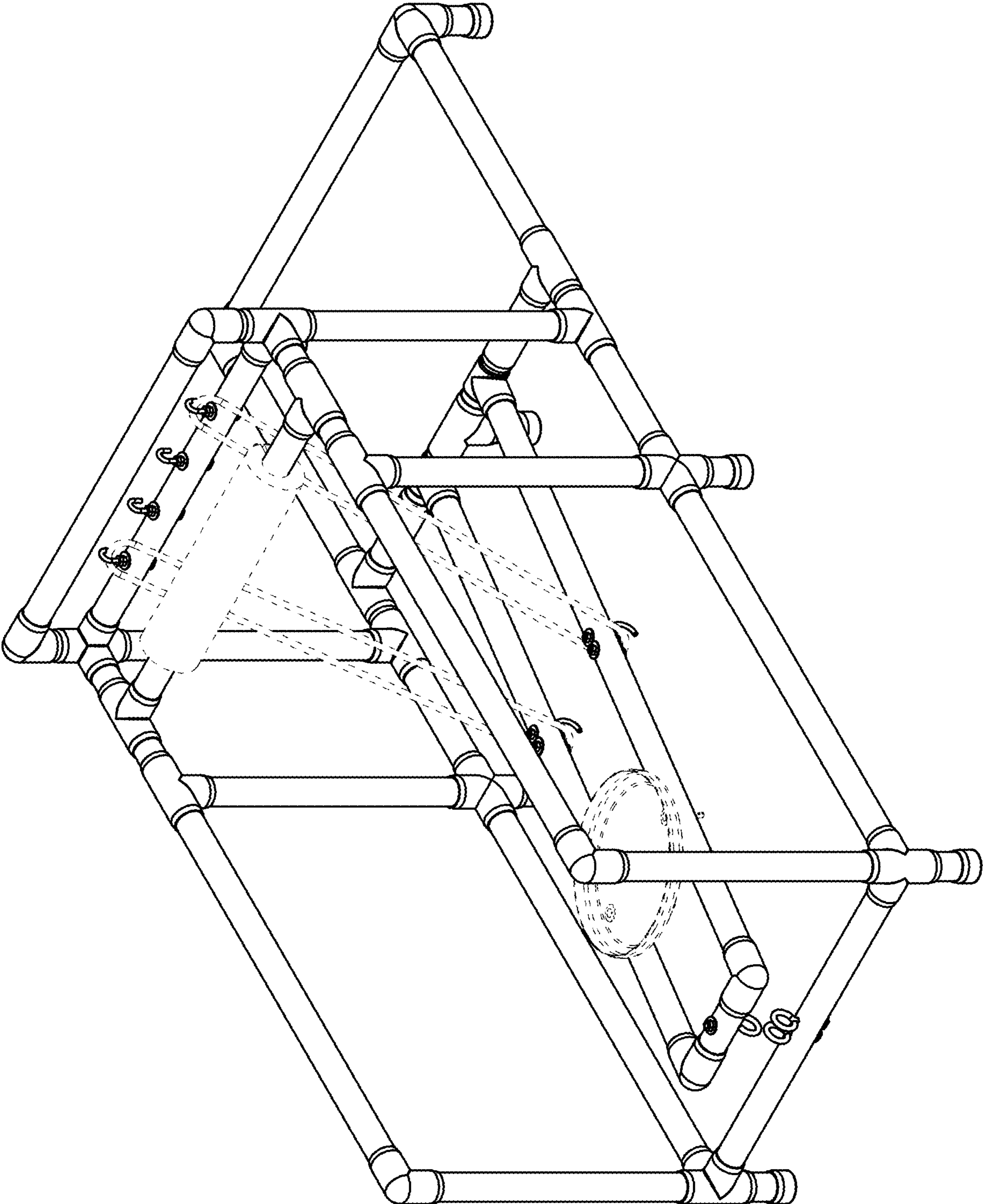


FIG. 1

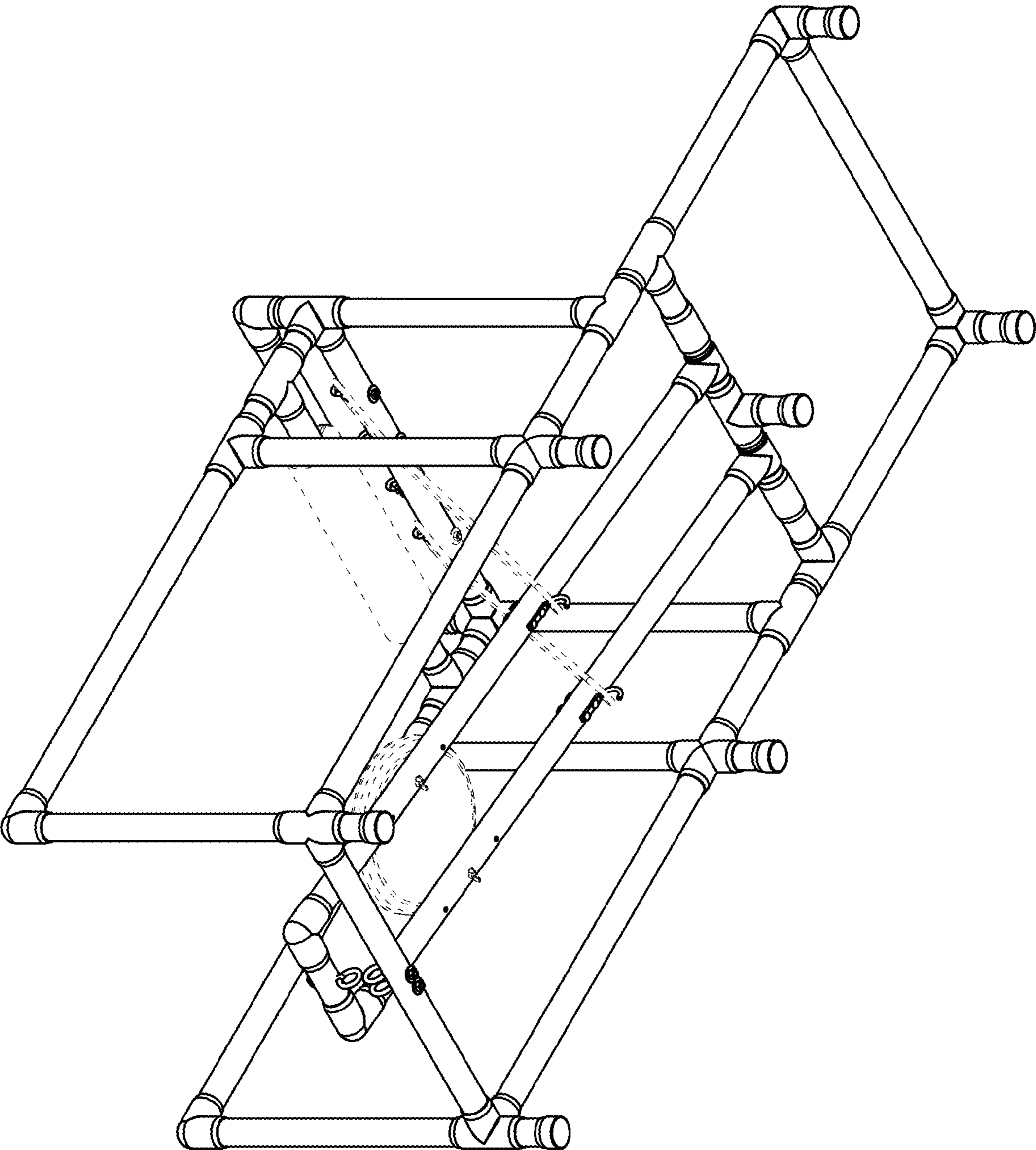


FIG. 2

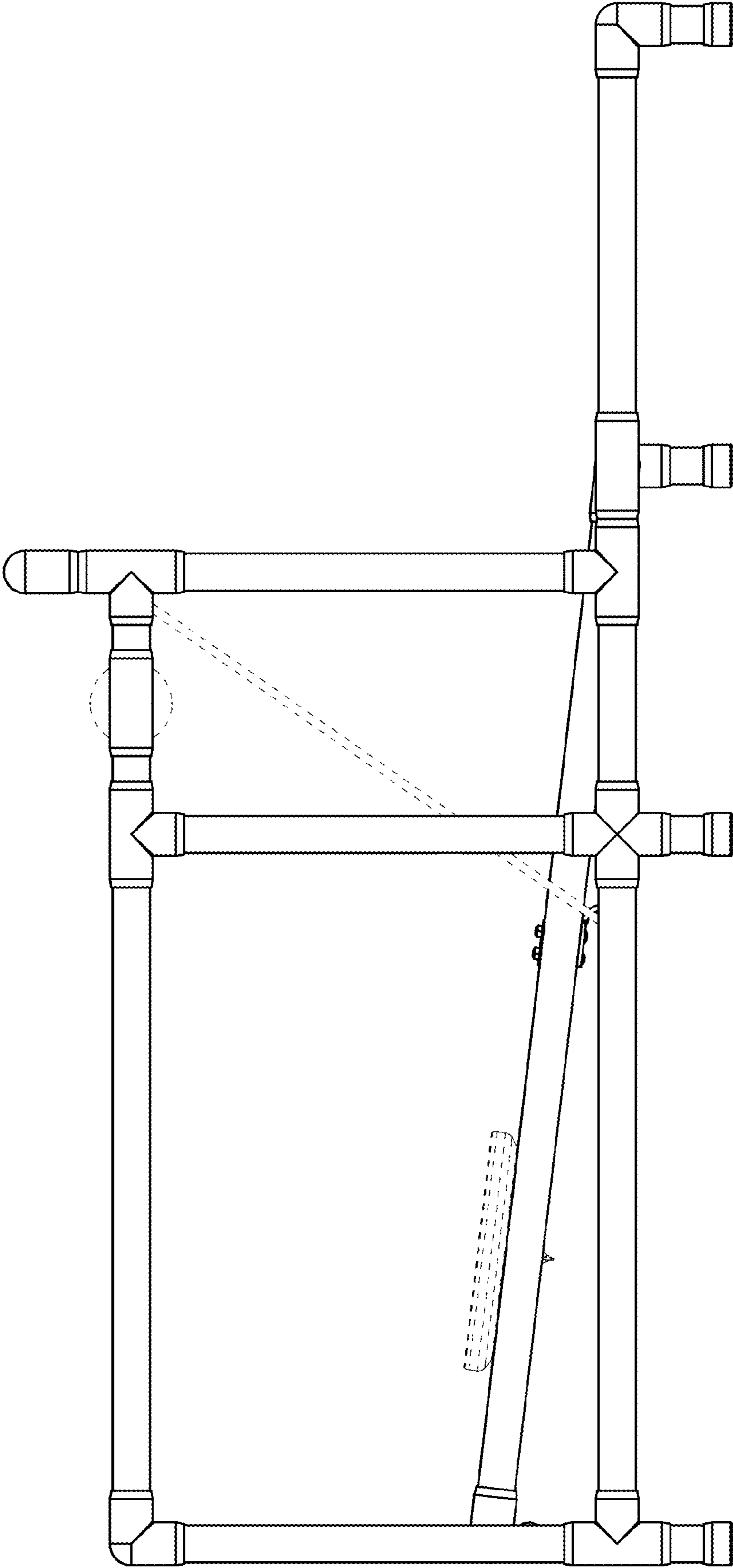


FIG. 3

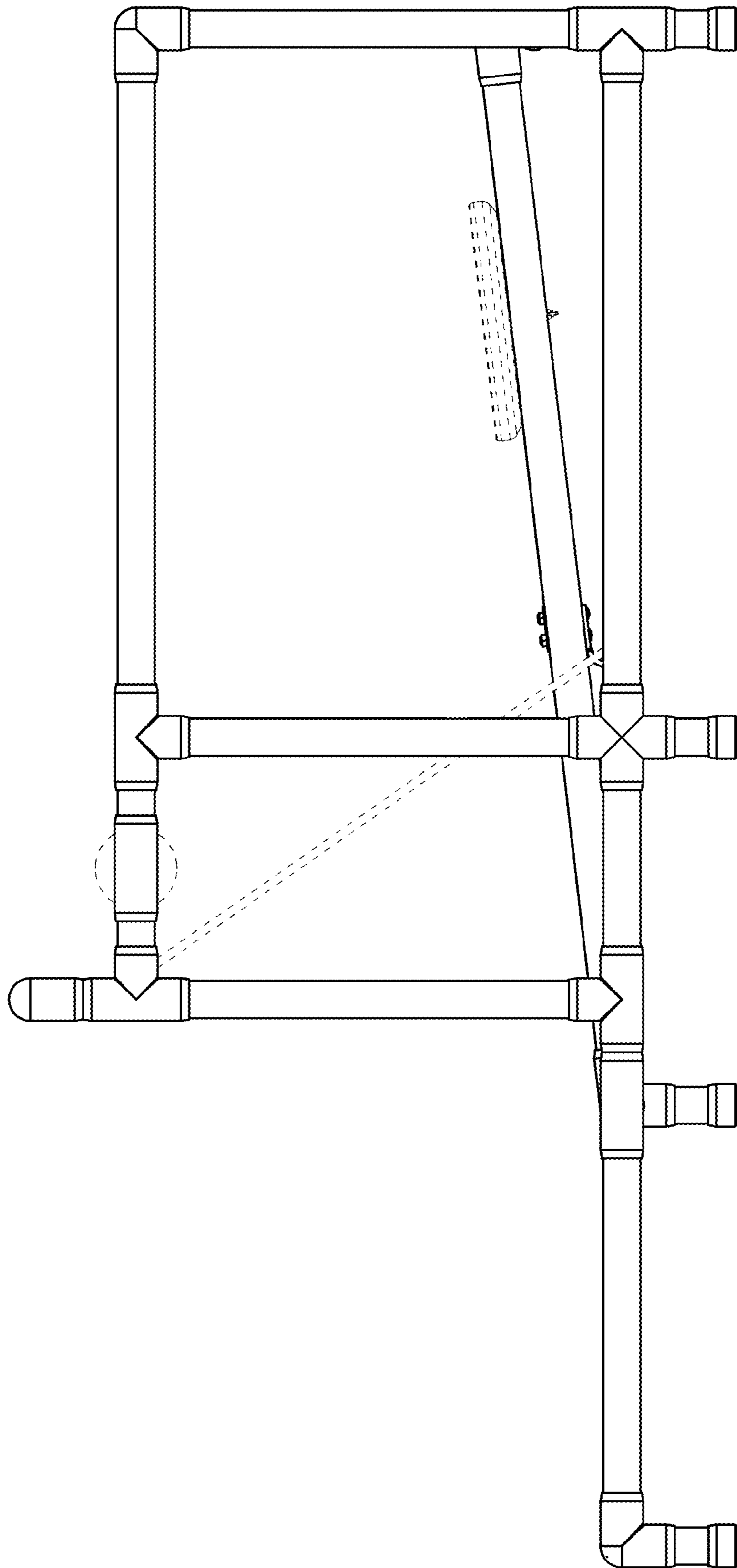


FIG. 4

FIG. 6

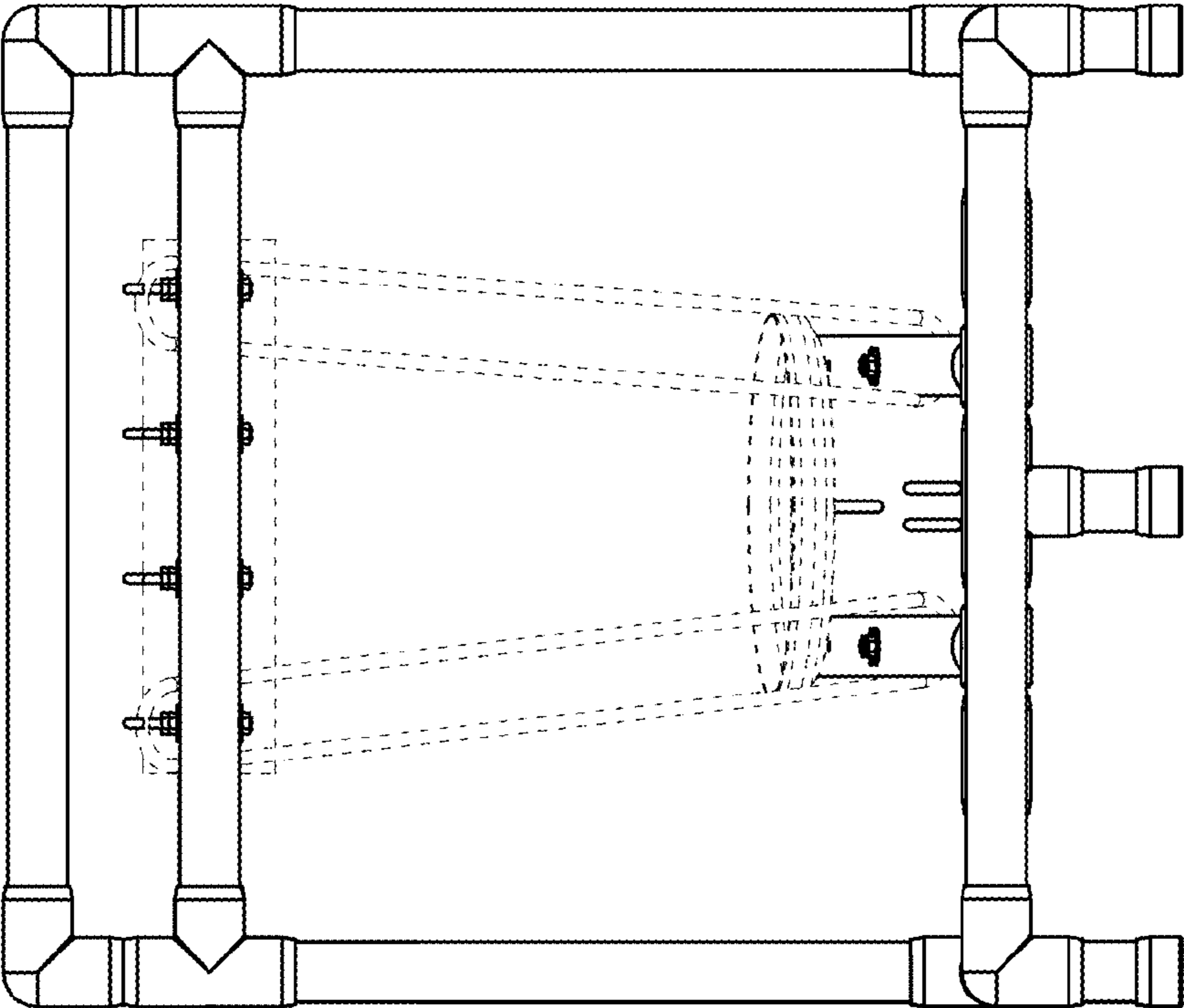


FIG. 5

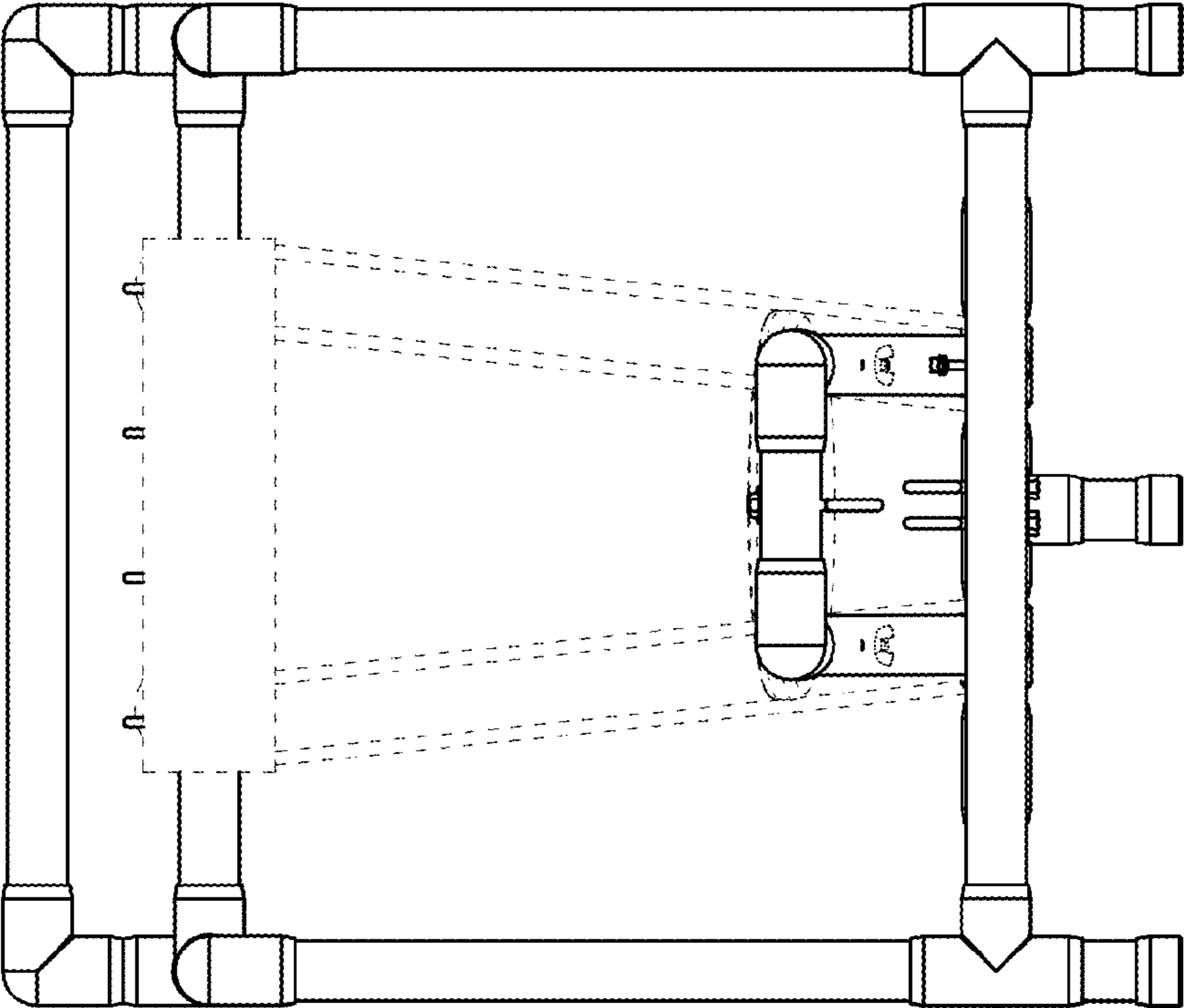
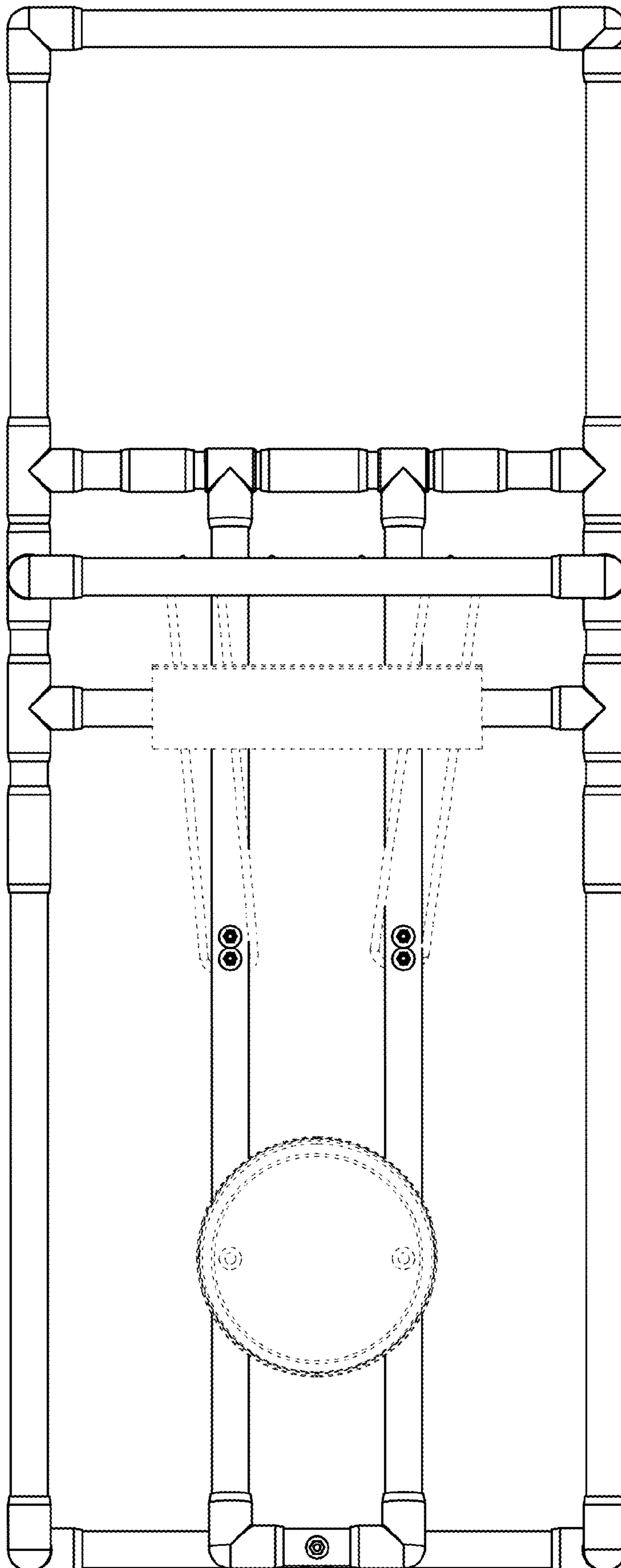


FIG. 7



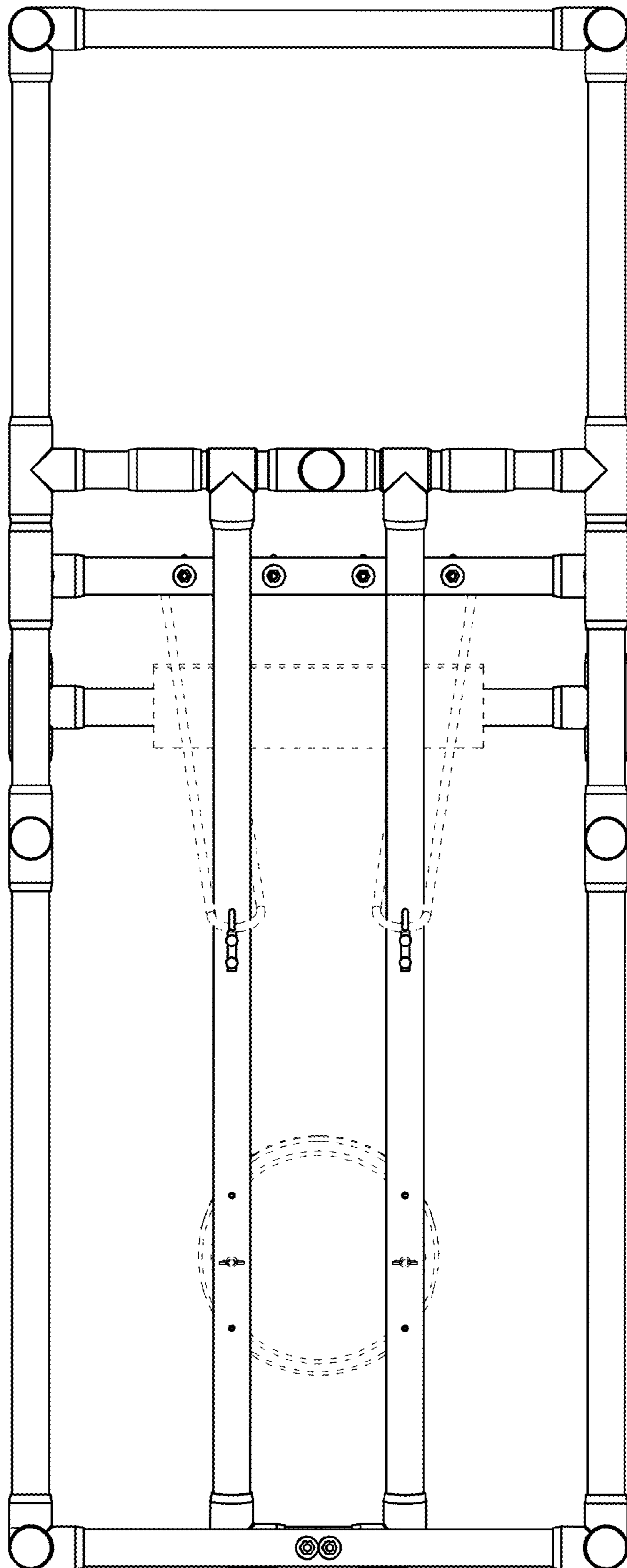


FIG. 8