



US00D884793S

(12) **United States Design Patent**
Brown et al.

(10) **Patent No.:** **US D884,793 S**

(45) **Date of Patent:** **** May 19, 2020**

- (54) **SALES DISPLAY MOUNT**
- (71) Applicant: **SFD SYSTEMS LIMITED**,
Newmarket (GB)
- (72) Inventors: **Christopher Brown**, Newmarket (GB);
Ian Daniel Pagano, Brandon (GB);
Nicola Widdowson-Kay, Great Paxton
(GB); **Graham Michael Davies**,
Sudbury (GB)
- (73) Assignee: **SFD SYSTEMS LIMITED**,
Newmarket (GB)

- D372,390 S * 8/1996 Lloyd-Morris D6/553
- 5,715,622 A * 2/1998 Giordano, Jr. G09F 3/204
40/448
- D403,910 S * 1/1999 Anderson G09F 3/204
D6/580
- 6,126,125 A * 10/2000 Dalton G09F 3/204
248/205.2
- 6,675,514 B1 * 1/2004 Salimes G09F 3/20
40/447
- 7,159,352 B1 * 1/2007 Lefebvre G09F 3/204
248/201
- D562,909 S * 2/2008 Meijer G09F 3/208
D20/43

(Continued)

(**) Term: **15 Years**

Primary Examiner — Mary Ann Calabrese

(74) *Attorney, Agent, or Firm* — Knobbe, Martens, Olson
& Bear, LLP

(21) Appl. No.: **35/504,313**

(22) Filed: **Jul. 6, 2017**

(57) **CLAIM**

The ornamental design for a sales display mount, as shown
and described.

(80) **Hague Agreement Data**

Int. Filing Date: **Jul. 6, 2017**

Int. Reg. No.: **DM/098307**

Int. Reg. Date: **Jul. 6, 2017**

Int. Reg. Pub. Date: **Jan. 12, 2018**

DESCRIPTION

(51) **LOC (12) Cl.** **20-03**

(52) **U.S. Cl.**
USPC **D20/44**

(58) **Field of Classification Search**
USPC D20/10, 19, 43, 44, 99; D8/377
CPC G09F 1/12; G09F 3/08; G09F 3/20; G09F
3/204; G09F 7/08; G09F 7/10; G09F
7/12; G09F 7/20; G09F 2007/183; A47F
5/0043; A47F 5/0815; A47F 5/0836;
A47F 5/0846; A47F 5/0853; H02B 1/052
See application file for complete search history.

- 1.1: Front
- 1.2: Top
- 1.3: Bottom
- 1.4: Left
- 1.5: Right
- 1.6: Front
- 1.7: Perspective
- 2.1: Front
- 2.2: Top
- 2.3: Bottom
- 2.4: Left
- 2.5: Right
- 2.6: Front
- 2.7: Perspective

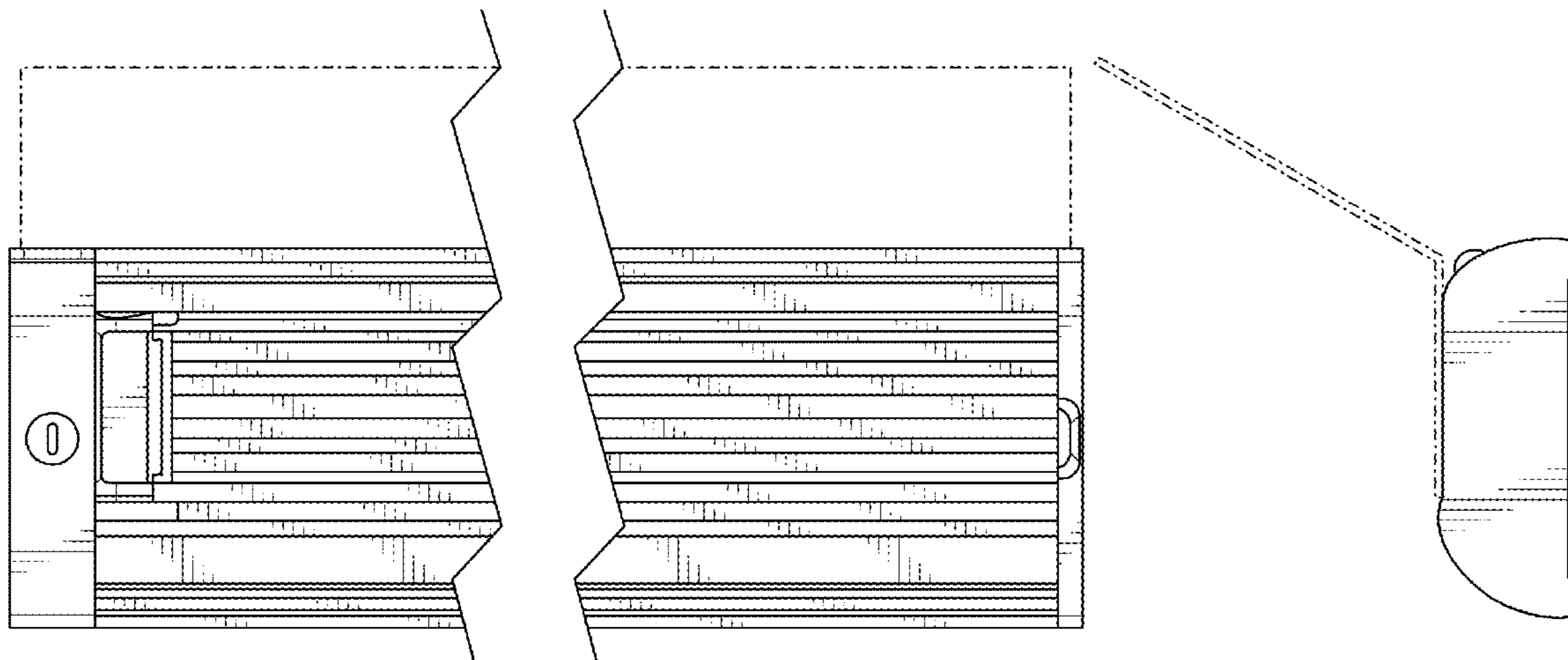
The claimed design is shown with a symbolic break in its
length. The appearance of any portion of the article between
the break lines forms no part of the claimed design.

(56) **References Cited**

U.S. PATENT DOCUMENTS

- 2,794,279 A * 6/1957 Slavsky G09F 3/20
40/650
- D221,854 S * 9/1971 Dowdell, Jr. et al. D20/44

1 Claim, 14 Drawing Sheets



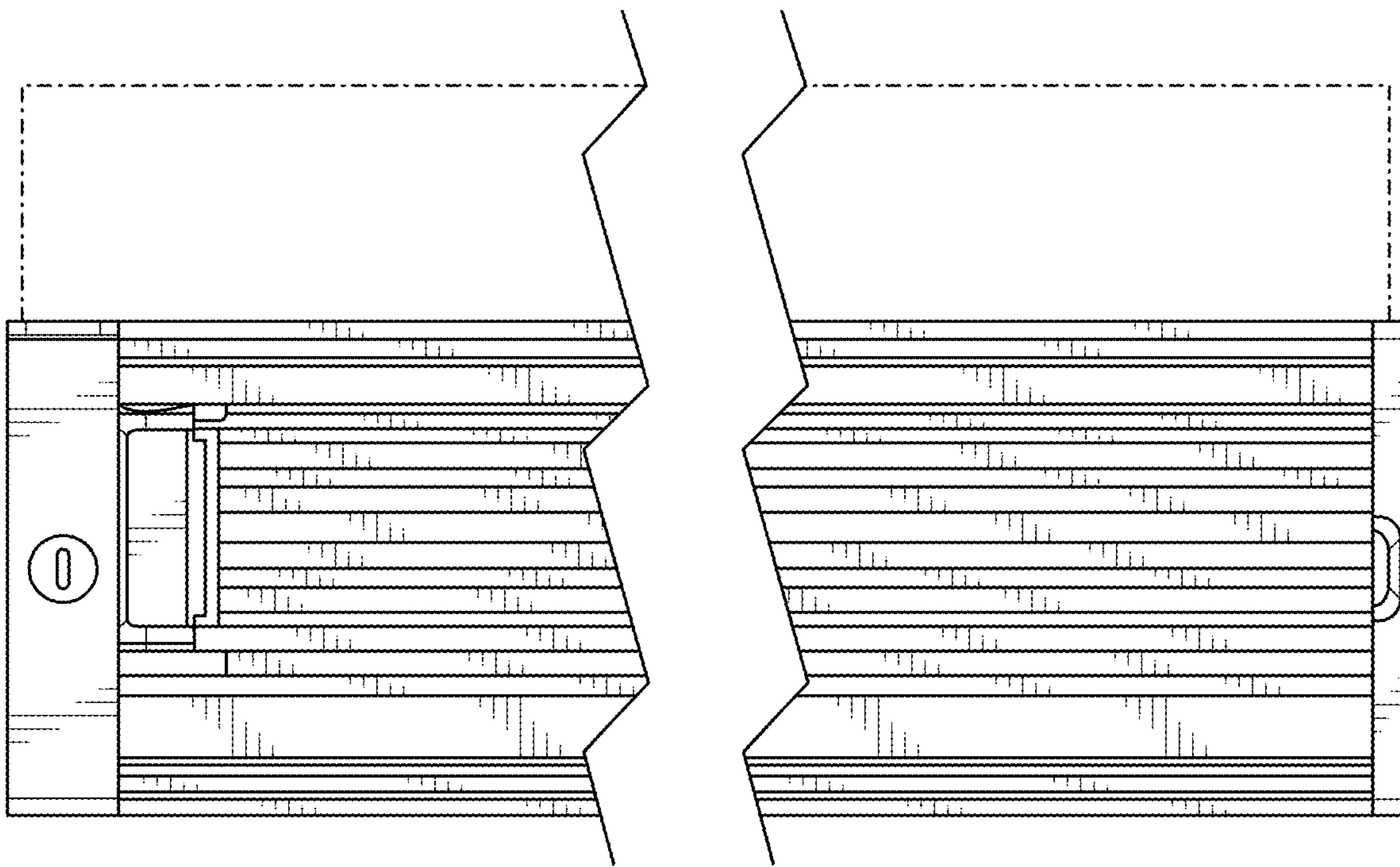
(56)

References Cited

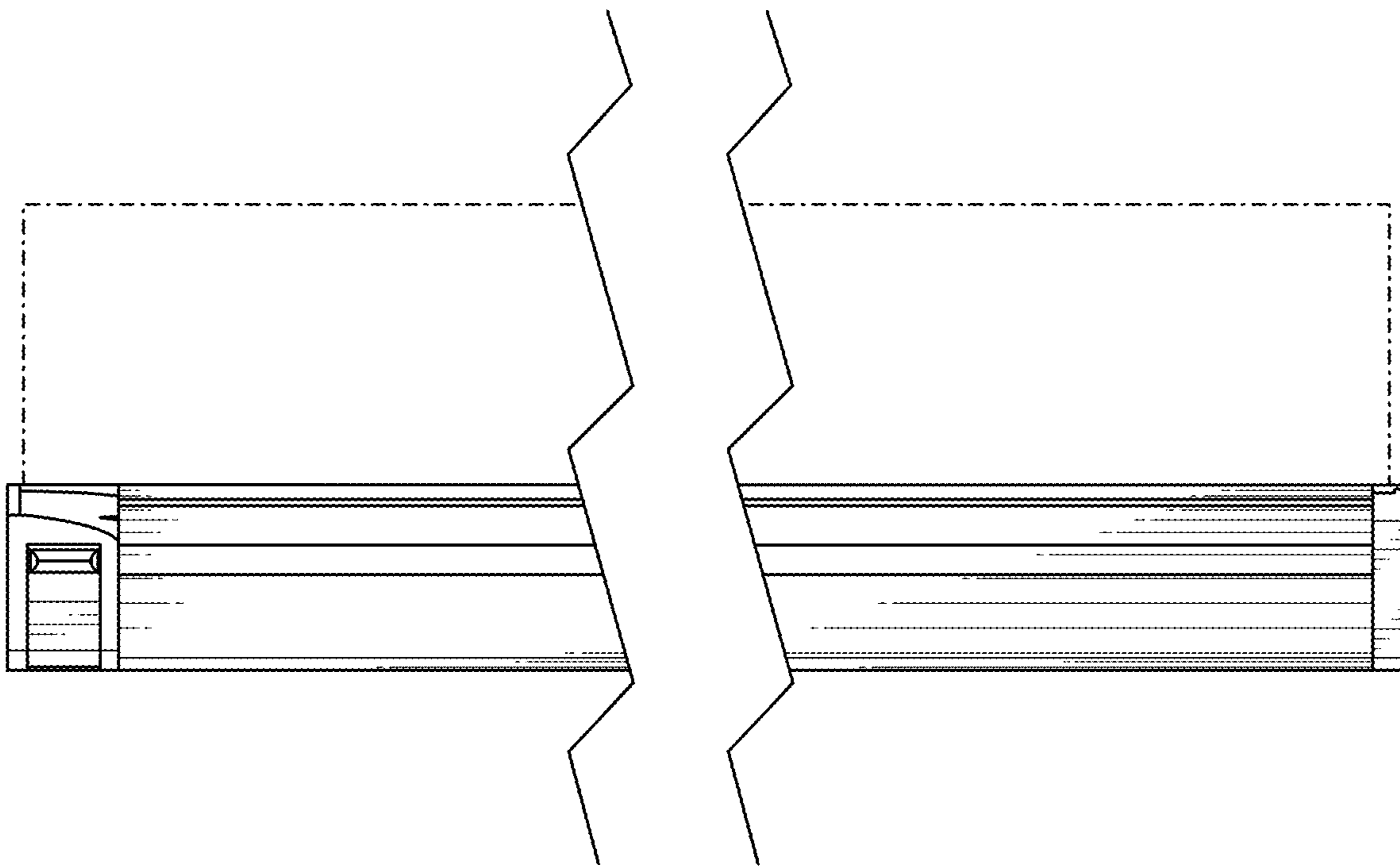
U.S. PATENT DOCUMENTS

D616,035 S * 5/2010 Kosir G09F 3/20
D20/44
9,115,955 B2 * 8/2015 Barnhart F41C 23/16
2010/0011640 A1 * 1/2010 Holm G09F 3/20
40/592
2018/0268745 A1 * 9/2018 de Haas G09F 3/208

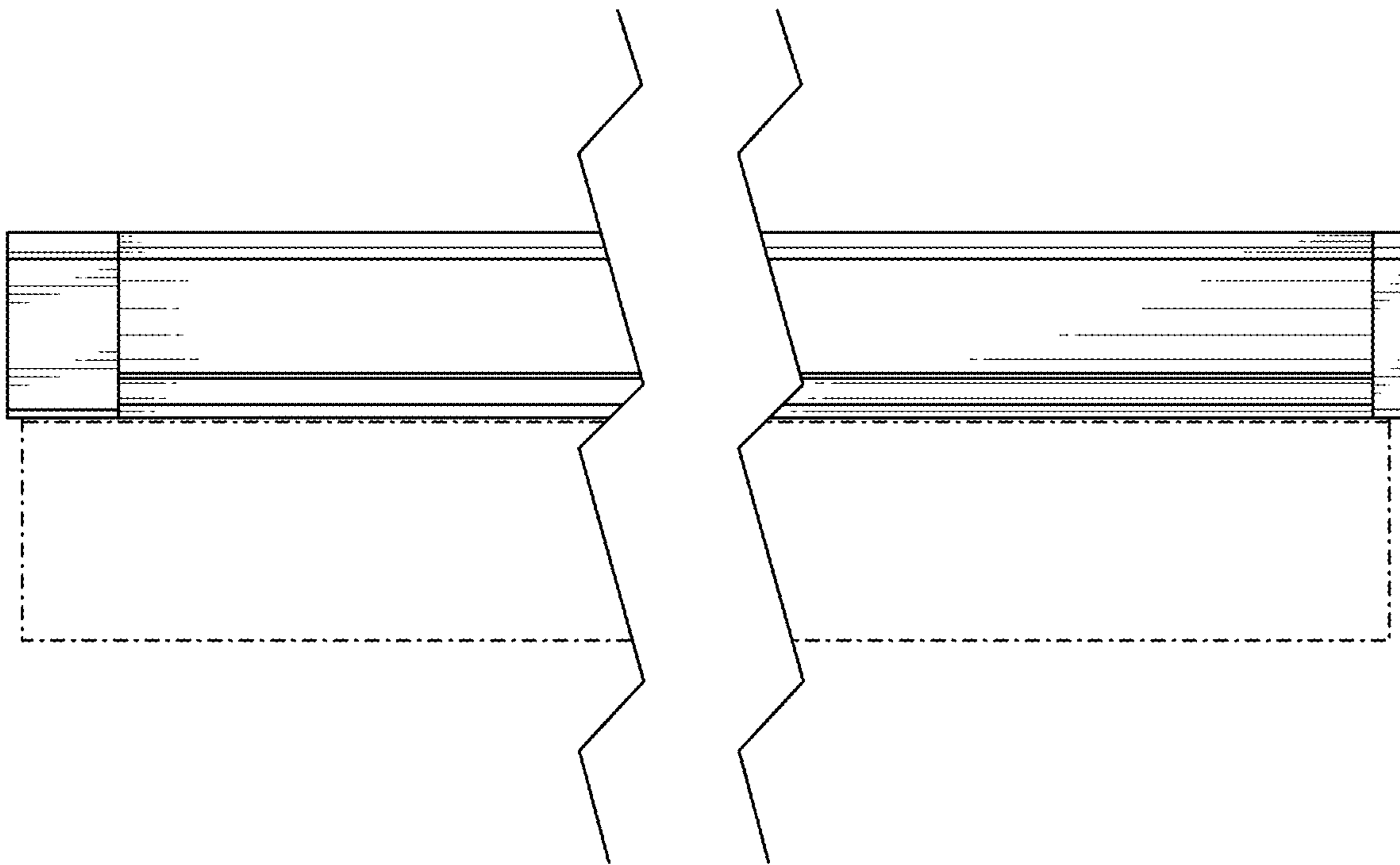
* cited by examiner



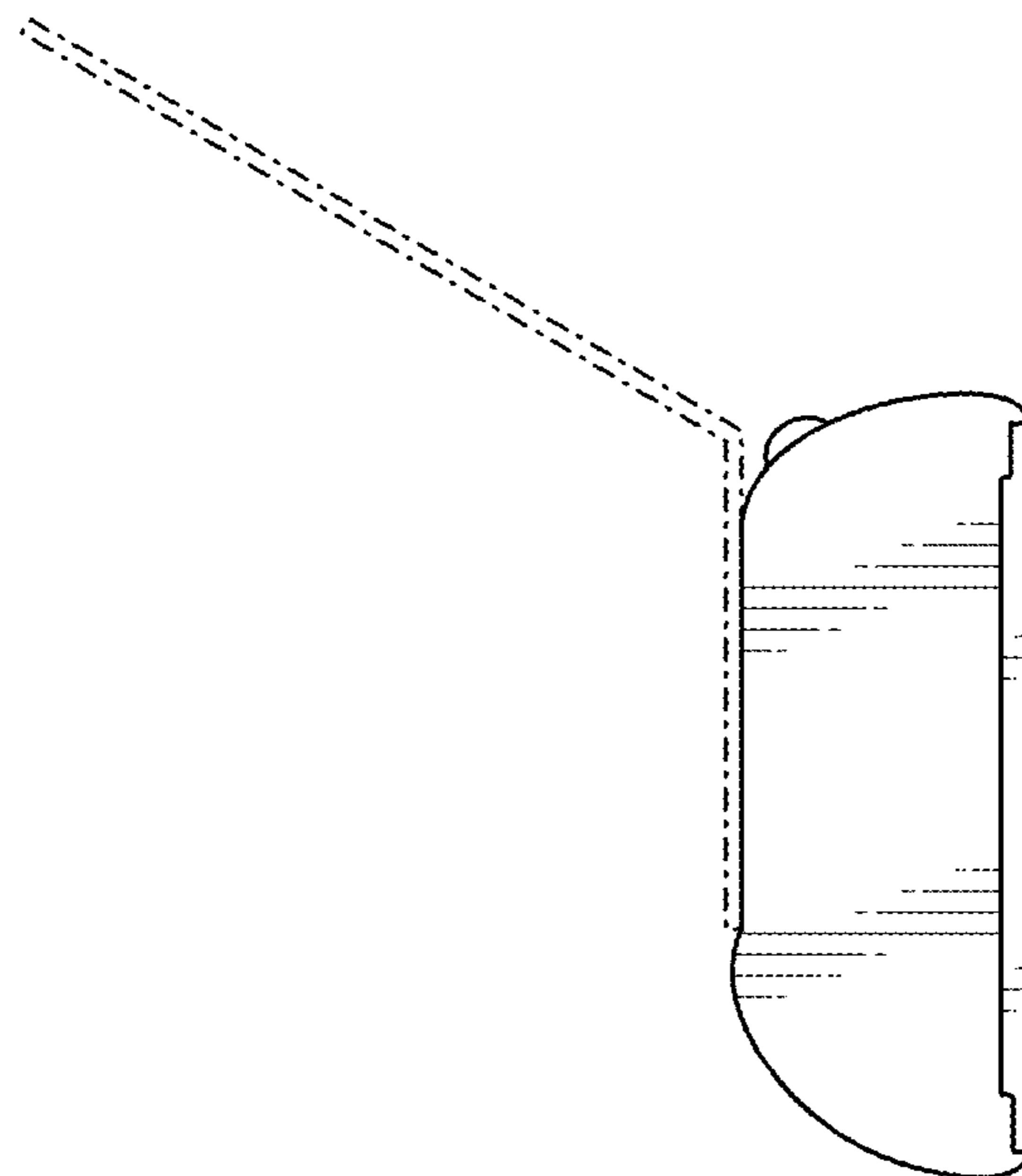
1.1



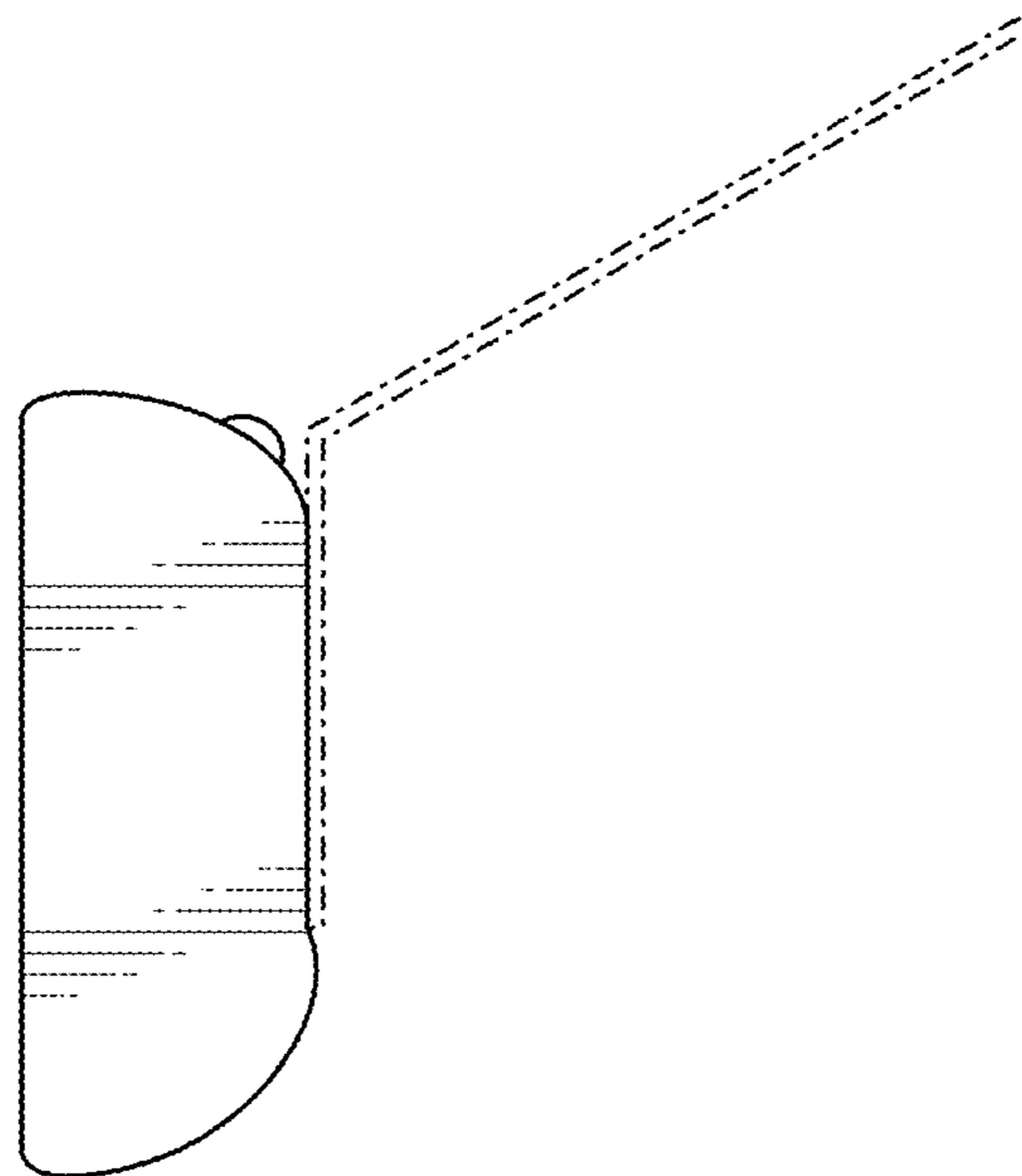
1.2



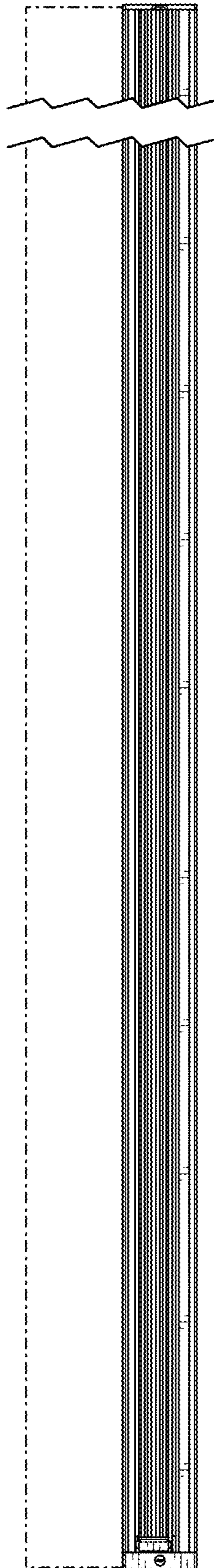
1.3



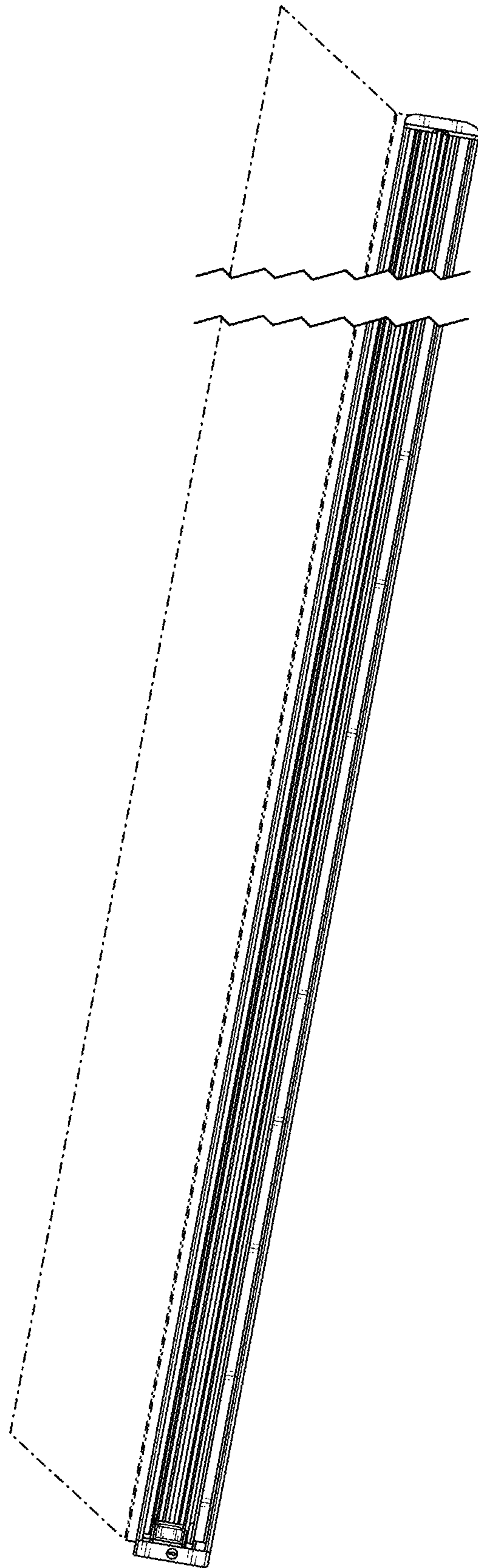
1.4



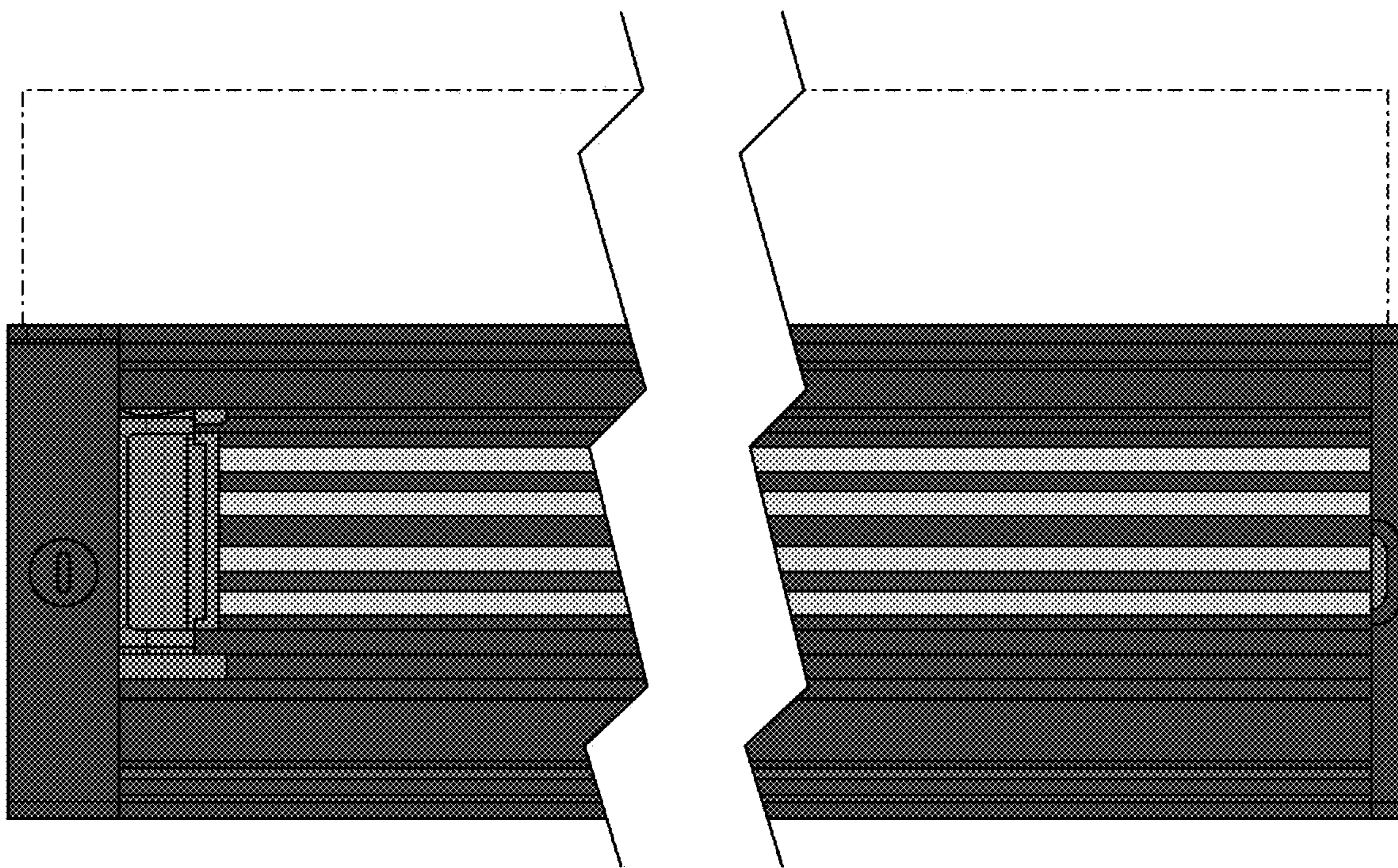
1.5



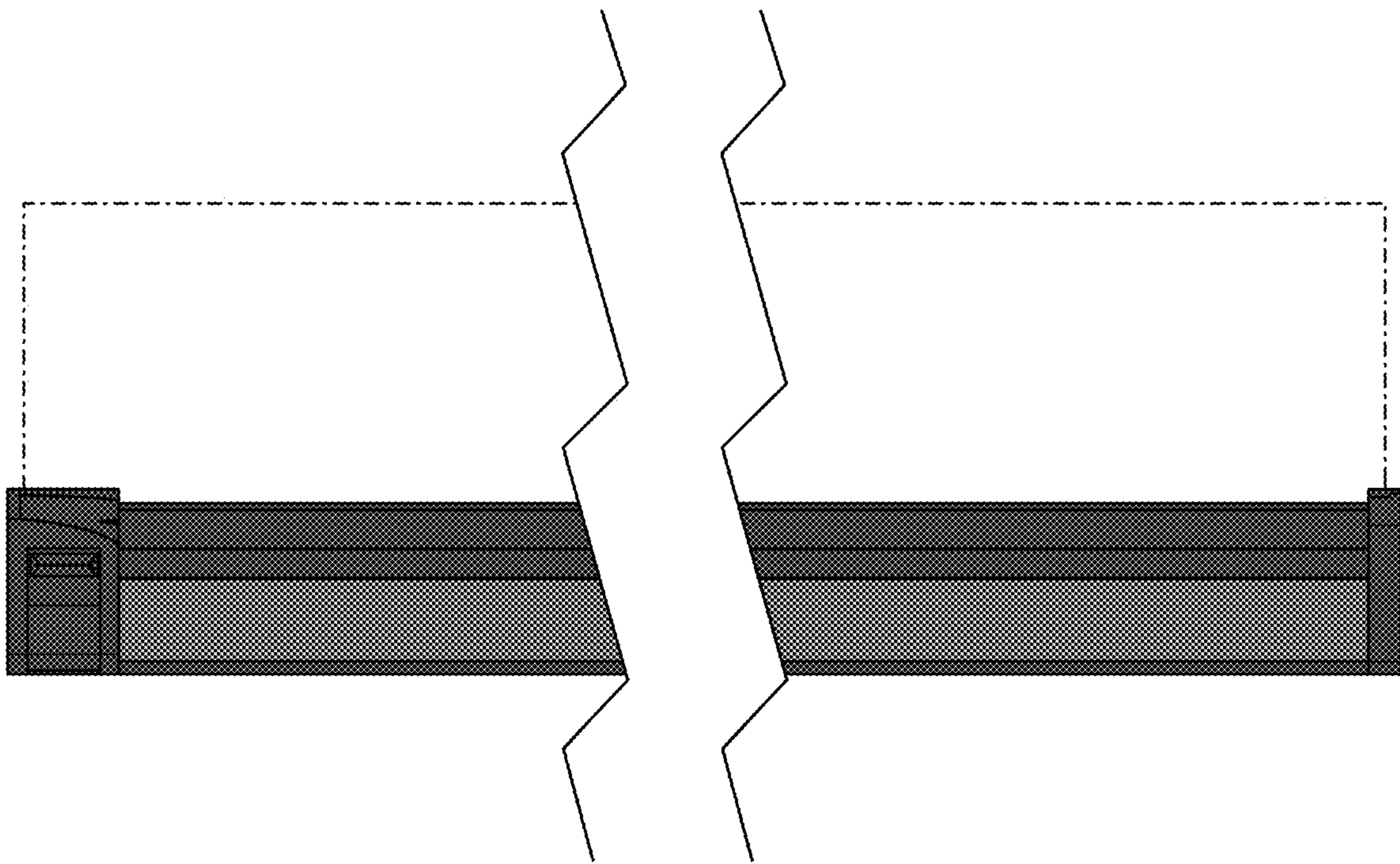
1.6



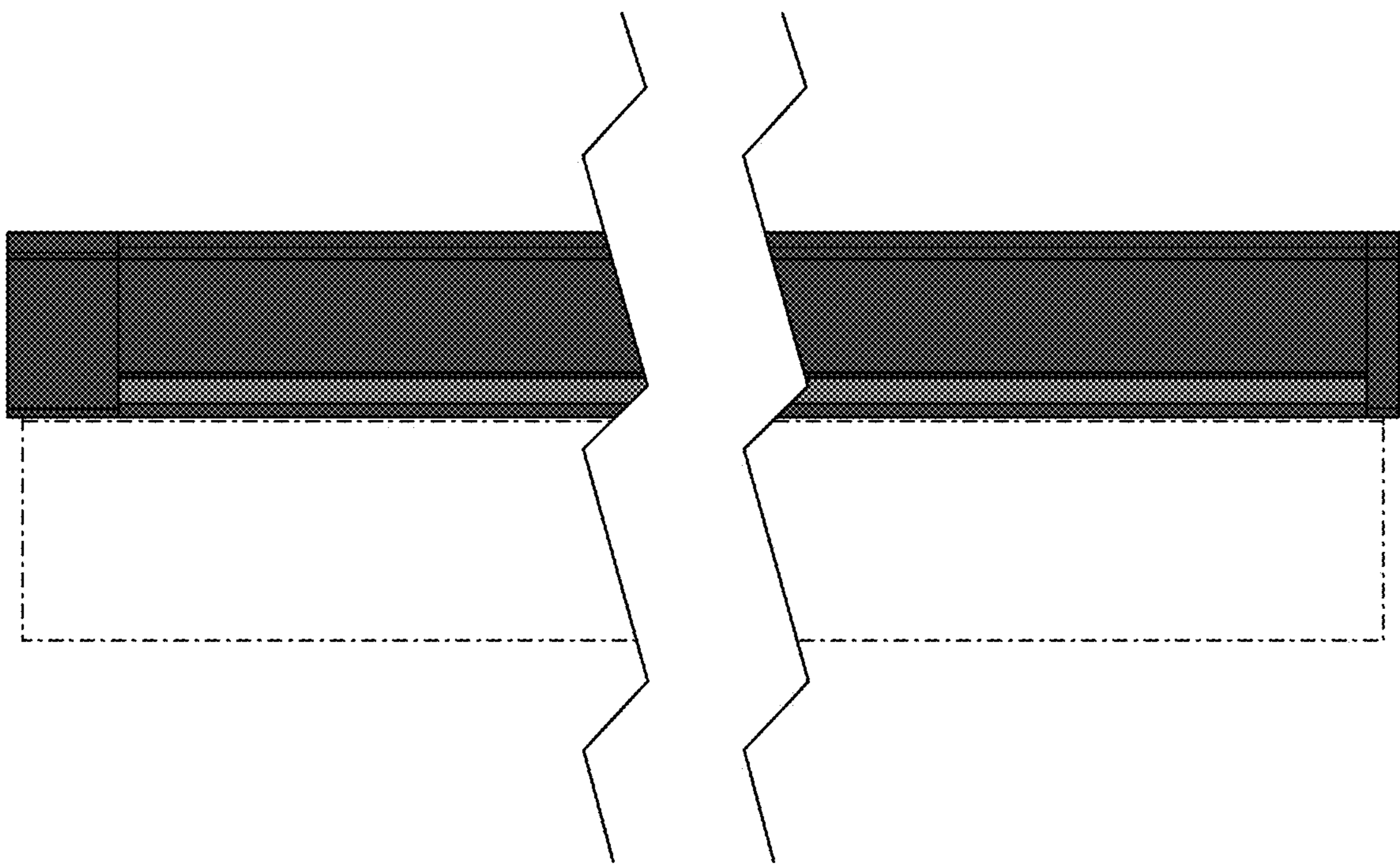
1.7



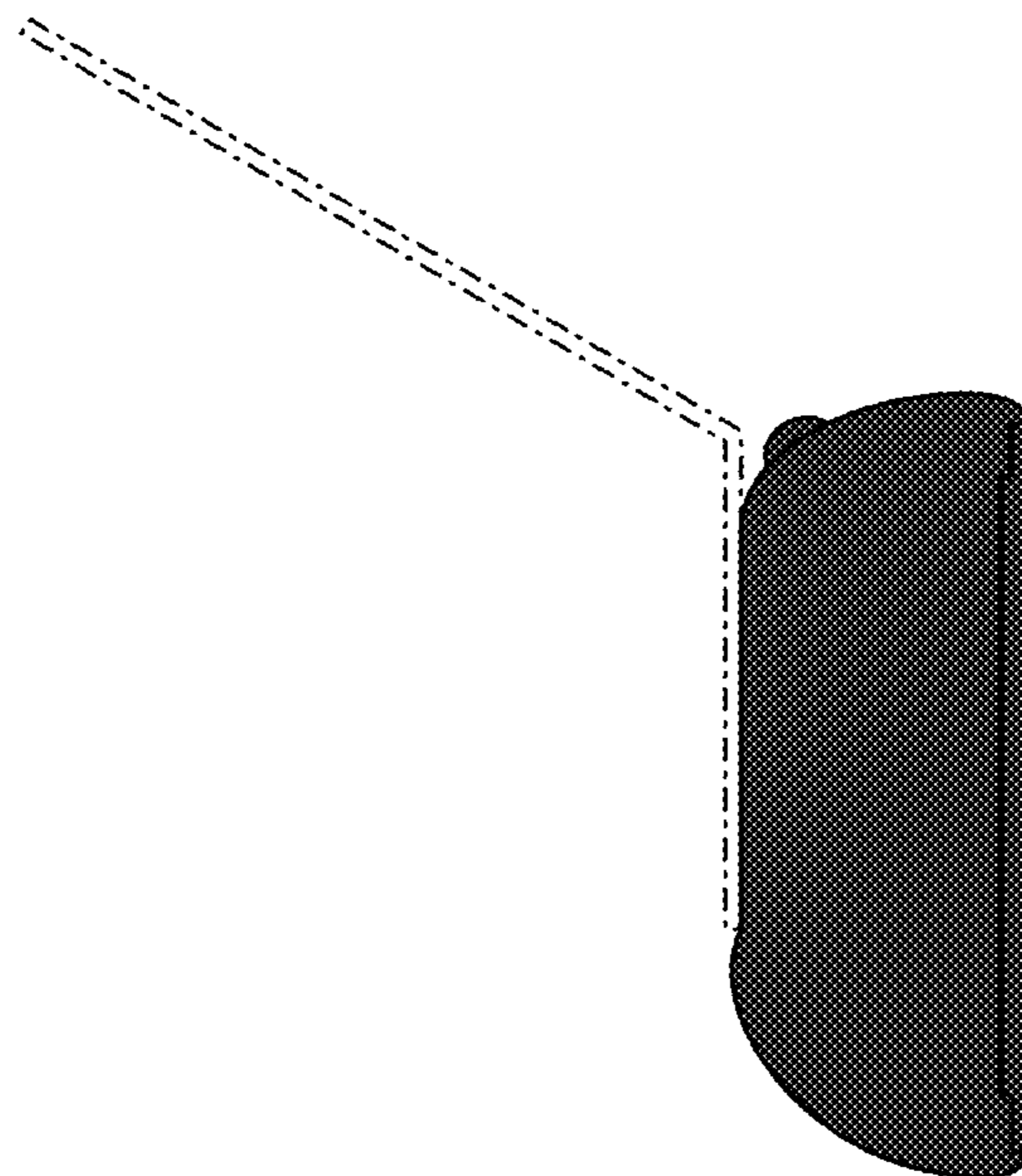
2.1



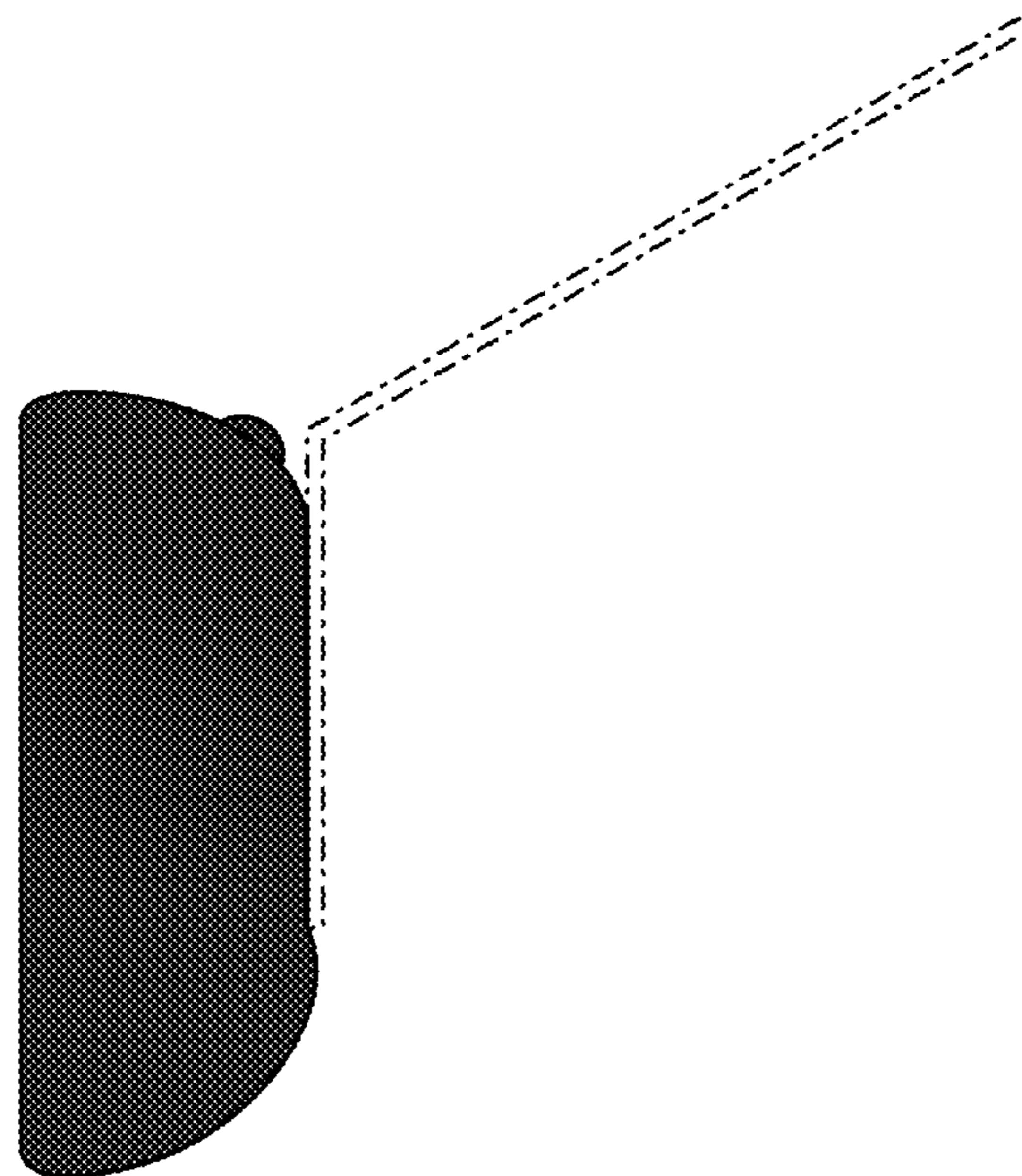
2.2



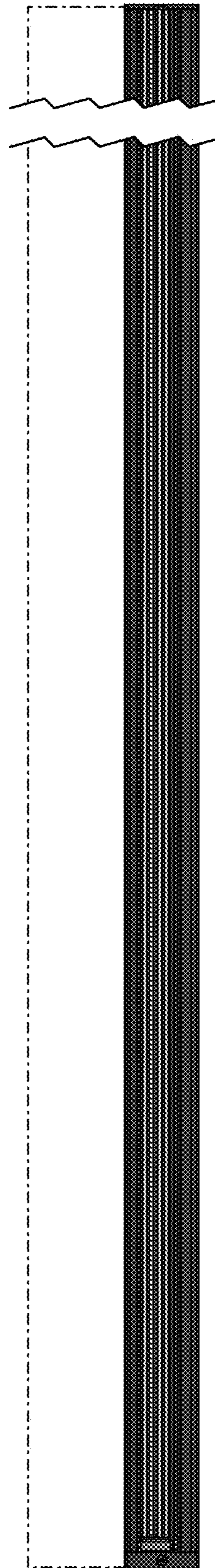
2.3



2.4



2.5



2.6

