



US00D884792S

(12) **United States Design Patent** (10) **Patent No.:** **US D884,792 S**
Swallow et al. (45) **Date of Patent:** **** May 19, 2020**

(54) **NAME CARD HOLDER**

(71) Applicant: **SoloProtect Limited**, Sheffield (GB)
(72) Inventors: **Craig Swallow**, Sheffield (GB); **Nick Davies**, Sheffield (GB); **Dennis Mason**, Sheffield (GB); **John Broady**, Sheffield (GB)

D428,019 S * 7/2000 Amron D14/203.7
D433,715 S * 11/2000 Bartz D20/22
D496,967 S * 10/2004 Davis D14/433
D530,926 S * 10/2006 Sellers D6/300
D569,629 S * 5/2008 Yu D6/308
D598,300 S * 8/2009 Sadler D10/15
D599,216 S * 9/2009 Sadler D10/15
D608,093 S * 1/2010 Moore D3/250
D643,069 S * 8/2011 Mallozzi G09F 3/207
D20/22

(73) Assignee: **SoloProtect Limited**, Sheffield (GB)

(Continued)

(**) Term: **15 Years**

OTHER PUBLICATIONS

(21) Appl. No.: **29/624,063**

“The Smallest Lone Worker Protection Device . . .” newgenbwv.com. Available Jul. 10, 2018. Accessed via Internet Archive Wayback Machine on Sep. 10, 2019. Available online via URL: <https://web.archive.org/web/20180710013110/https://www.newgenbwv.com/us/> (Year: 2018).*

(22) Filed: **Oct. 30, 2017**

(30) **Foreign Application Priority Data**

May 12, 2017 (EM) 003998525

(51) **LOC (12) Cl.** **19-08**

(52) **U.S. Cl.**
USPC **D20/22**

(58) **Field of Classification Search**

USPC D3/218, 247, 249–253, 300, 303;
D10/106.9, 106.93, 106.94; D19/26, 32,
D19/65, 99, 100; D20/10, 19, 22–29, 40,
D20/43, 99; 224/195, 197, 199, 219,
224/222, 247, 267, 269, 271–272, 666,
224/668; 206/305, 320, 701; 455/42, 90,
455/92, 90.3; 348/294, 373–376;
359/826; 396/6, 301, 529, 535, 539–541
CPC A45C 1/024; A45C 3/06; B41L 47/06;
B43D 3/12; B43D 3/18; B42D 17/00;
B42F 21/00; B42F 13/006; G09F 1/10;
G09F 3/08; G09F 3/18; G09F 3/204

See application file for complete search history.

Primary Examiner — Cathron C Brooks

Assistant Examiner — Christian P. McLean

(74) *Attorney, Agent, or Firm* — NK Patent Law

(56) **References Cited**

U.S. PATENT DOCUMENTS

4,356,646 A * 11/1982 Johnson, Jr. G09F 3/18
101/369
D404,761 S * 1/1999 Tarpenning D14/341

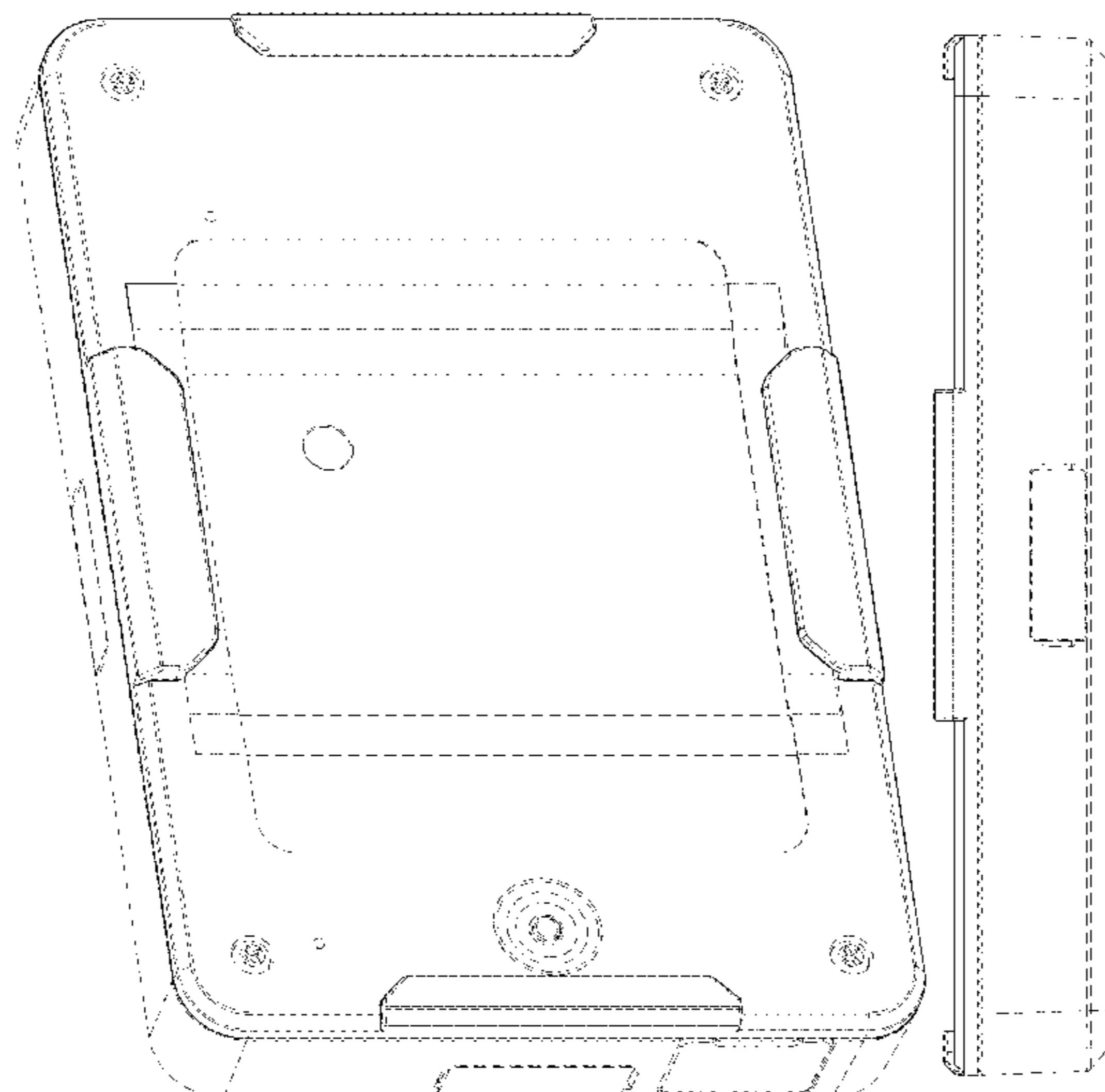
(57) **CLAIM**

We claim the ornamental design for the “name card holder”, as shown and described.

DESCRIPTION

FIG. 1 is a rear facing perspective view of a name card holder;
FIG. 2 is a front view thereof;
FIG. 3 is a rear view thereof;
FIG. 4 is a right side view thereof;
FIG. 5 is a left side view thereof;
FIG. 6 is a bottom view thereof; and,
FIG. 7 is a top view thereof.
The broken lines illustrate portions of the name card holder that form no part of the claimed design.

1 Claim, 7 Drawing Sheets



(56)

References Cited

U.S. PATENT DOCUMENTS

D685,189 S * 7/2013 Adelman D3/247
D685,990 S * 7/2013 Zhang D3/218
D693,257 S * 11/2013 Yang D10/106.93
8,720,844 B2 * 5/2014 Westimayer F16M 13/02
248/218.4
D708,673 S * 7/2014 Tsai D20/43
D724,841 S * 3/2015 Schneider D3/247
D745,866 S * 12/2015 Adelman D14/250
D751,289 S * 3/2016 Gluck D3/247
D755,895 S * 5/2016 Garfinkle D20/27
D776,426 S * 1/2017 Smith D3/247
D812,140 S * 3/2018 Lee D20/10
D813,312 S * 3/2018 Mahbubani D20/40
D830,354 S * 10/2018 Deng D14/250
D835,187 S * 12/2018 Choi D19/32
D851,928 S * 6/2019 Moore D3/247
D852,867 S * 7/2019 Chang D16/202
D854,090 S * 7/2019 Warther D20/22
D854,314 S * 7/2019 Burns D3/218
D862,879 S * 10/2019 Lange D3/249
D871,398 S * 12/2019 Seo D14/341
D871,480 S * 12/2019 Hu D16/202
2015/0124089 A1 * 5/2015 Swallow G03B 17/02
348/143

* cited by examiner

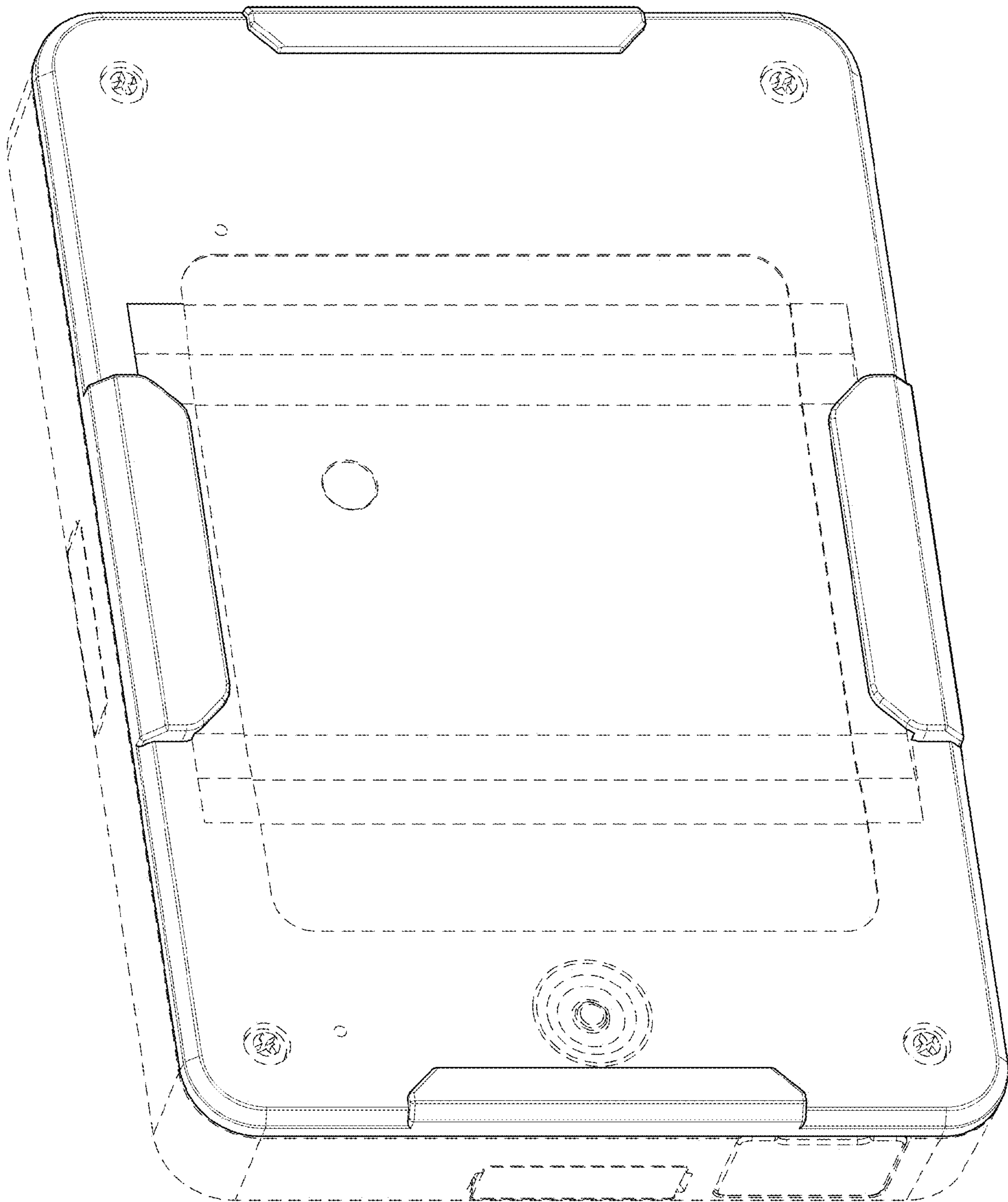


FIG. 1

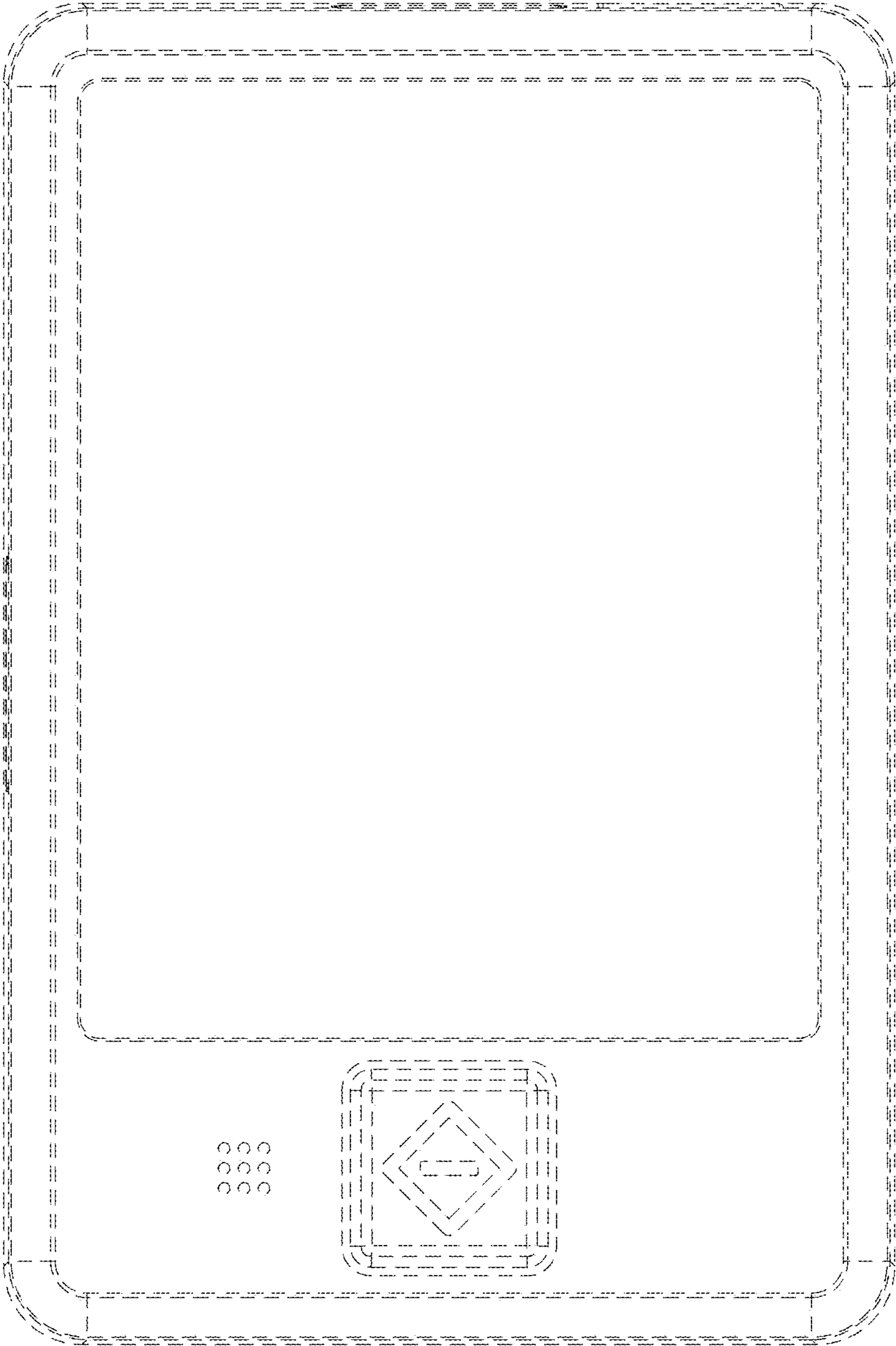


FIG. 2

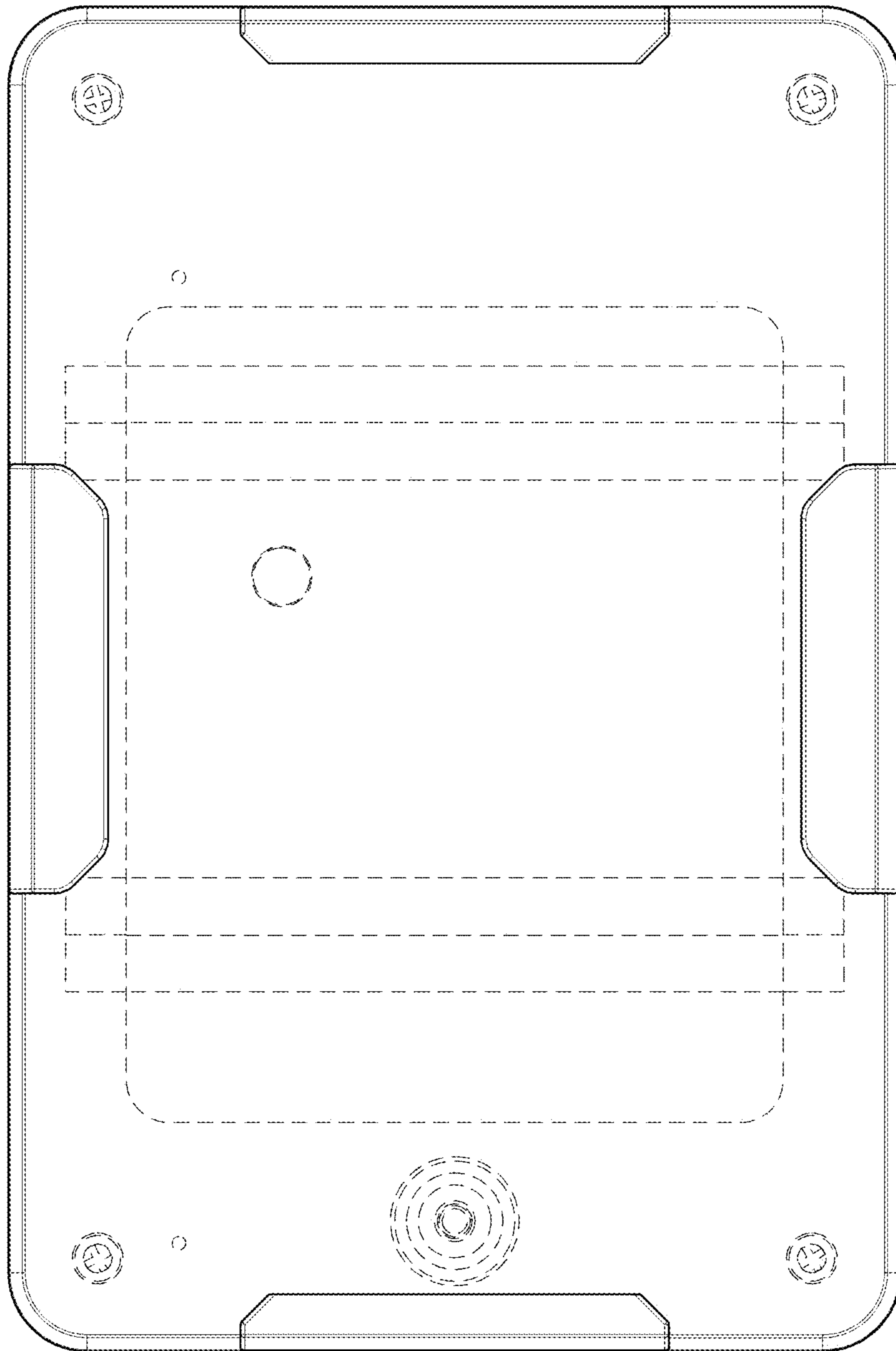


FIG. 3

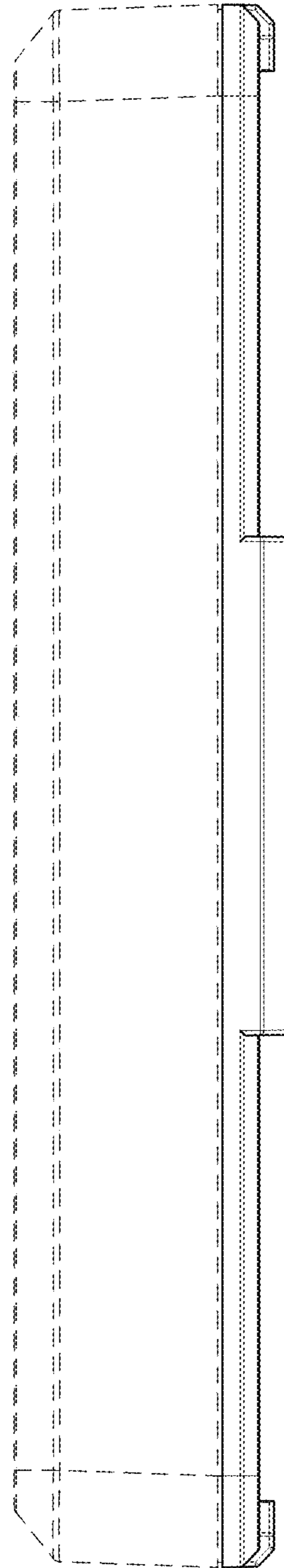


FIG. 4

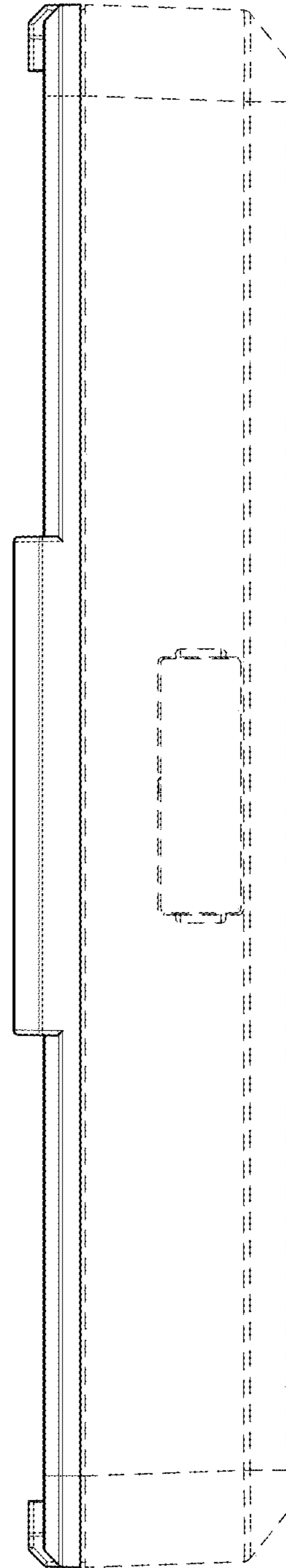


FIG. 5

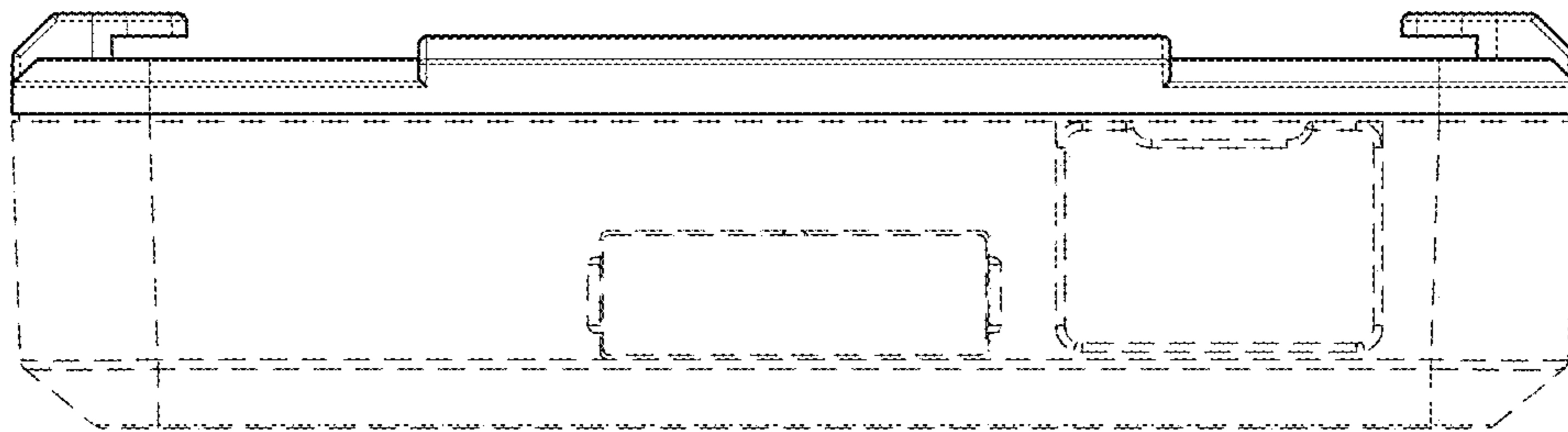


FIG. 6

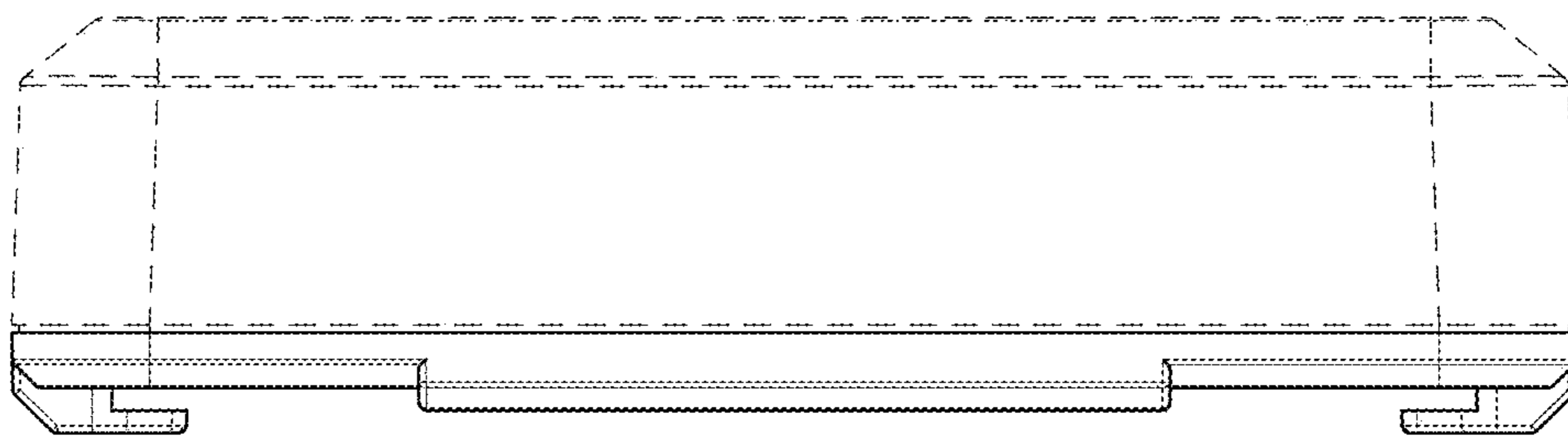


FIG. 7