



US00D884790S

(12) **United States Design Patent**
Saputo et al.

(10) **Patent No.:** **US D884,790 S**
(45) **Date of Patent:** **** May 19, 2020**

(54) **DIVIDER**

- (71) Applicant: **AdDividers, LLC**, Avila Beach, CA (US)
- (72) Inventors: **Joseph Saputo**, Shell Beach, CA (US);
Steven Norby, Shell Beach, CA (US)
- (73) Assignee: **ADDDIVIDERS, LLC**, Avila Beach, CA (US)
- (**) Term: **15 Years**
- (21) Appl. No.: **29/642,569**
- (22) Filed: **Mar. 30, 2018**
- (51) **LOC (12) Cl.** **20-03**
- (52) **U.S. Cl.**
USPC **D20/19; D20/43**
- (58) **Field of Classification Search**
USPC D6/511, 592, 613; D8/354; D9/457;
D11/165, 172; D12/193; D14/374;
D19/1, 6, 9, 10; D20/10-15, 17-19, 22,
D20/23, 27, 35, 40, 42, 99; D25/119;
40/5, 124.01-124.09, 124.11-124.19,
40/124.191, 200-211, 299.01, 305, 310,
40/312, 360, 446, 541, 584, 638; 283/56,
283/67, 71, 81; 362/812
CPC . B60R 13/105; G09F 1/04; G09F 1/10; G09F
1/103; G09F 1/12; G09F 1/14; G09F
2001/106; G09F 3/18; G09F 3/185; G09F
3/20; G09F 3/201; G09F 3/202; G09F
3/204; G09F 7/10; G09F 7/18
See application file for complete search history.

(56) **References Cited**

U.S. PATENT DOCUMENTS

- 4,718,213 A * 1/1988 Butterfield E04B 9/005
52/311.2
- D314,757 S * 2/1991 Gecchelin D13/155
- D382,978 S * 8/1997 Gearing D25/119
- D418,394 S * 1/2000 King D25/124

(Continued)

OTHER PUBLICATIONS

“Retail Store Cashier . . .” saleshelf.en.made-in-china.com. Date not available. Accessed Jun. 6, 2019. Available online at URL: <https://saleshelf.en.made-in-china.com/productimage/ryaniSpYschR-2f1j00mGtUMOohrBcS/China-Retail-Store-Cashier-Convenience-Checkout-Lane-Grocery-Shopping-Divider.html> (Year: N/A).*

(Continued)

Primary Examiner — Cathron C Brooks

Assistant Examiner — Christian P. McLean

(74) *Attorney, Agent, or Firm* — Fitch, Even, Tabin & Flannery LLP

(57) **CLAIM**

We claim the ornamental design for a divider, as shown and described.

DESCRIPTION

FIG. 1 is a top perspective view showing our new design for a divider for use on grocery store checkout conveyor belts in accordance with a first embodiment of the present disclosure;

FIG. 2 is a side perspective view thereof;

FIG. 3 is a top view thereof;

FIG. 4 is a side view thereof;

FIG. 5 is an end view thereof;

FIG. 6 is a top perspective view showing our new design for a divider for use on grocery store checkout conveyor belts in accordance with a second embodiment of the present disclosure;

FIG. 7 is a side perspective view thereof;

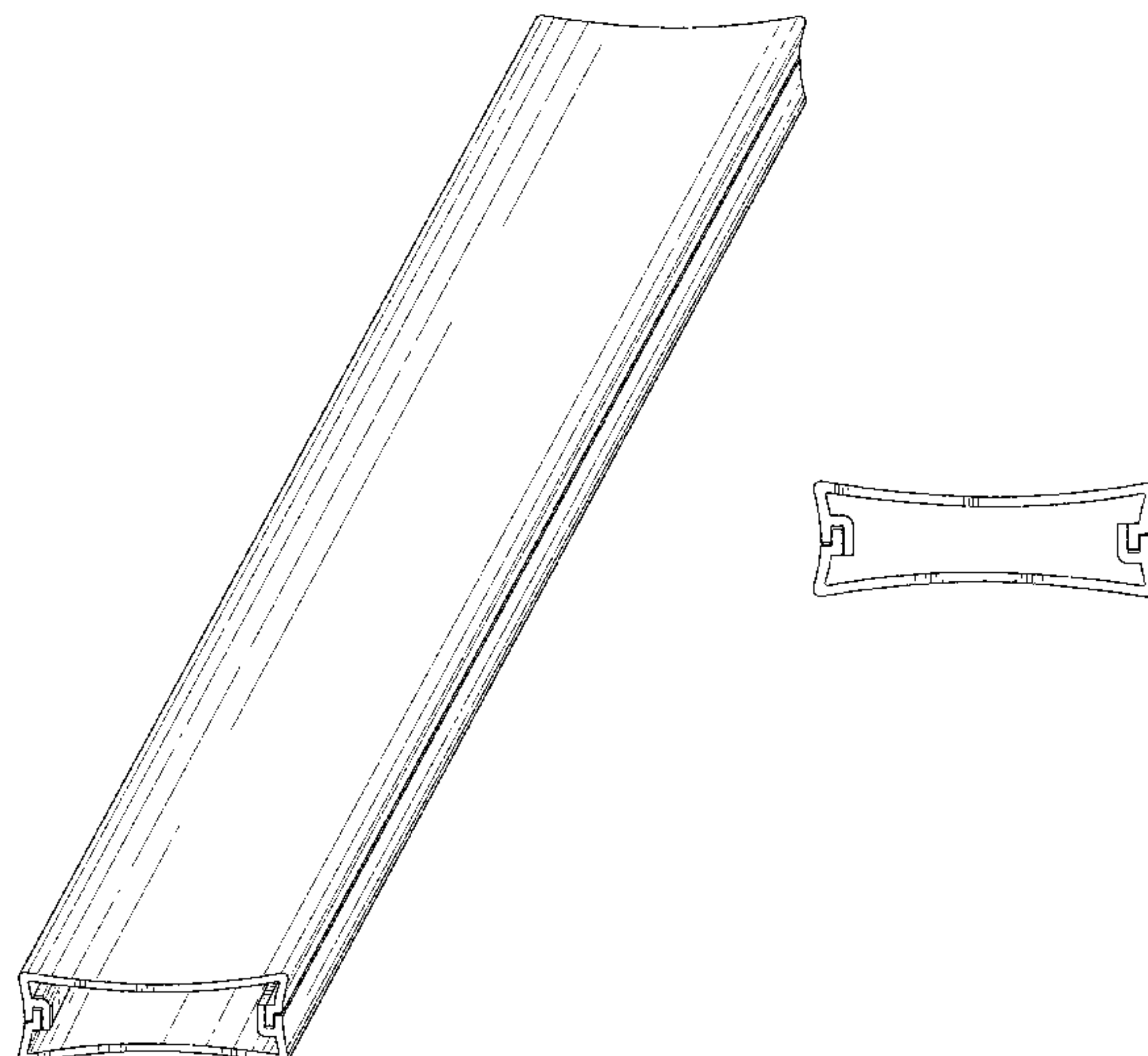
FIG. 8 is a top view thereof;

FIG. 9 is a side view thereof; and,

FIG. 10 is an end view thereof.

The broken lines of the divider illustrate portions of the divider that form no part of the claimed design.

1 Claim, 8 Drawing Sheets



(56)

References Cited

U.S. PATENT DOCUMENTS

6,092,320 A * 7/2000 Bringuet G09F 7/10
40/618
D459,975 S * 7/2002 Dinh D25/119
D464,783 S * 10/2002 Abbestam D25/119
D582,571 S * 12/2008 Bergmann D25/124
D592,487 S * 5/2009 Tedesco D8/349
D599,945 S * 9/2009 Pfund D26/76
D600,401 S * 9/2009 Varrin D26/138
D623,343 S * 9/2010 Kluš D26/138
D629,987 S * 12/2010 D'Ulisse D32/58
D765,883 S * 9/2016 Jaimes D25/119
D792,611 S * 7/2017 Shargani D25/119
D793,617 S * 8/2017 Trzcielinski D26/118
D800,347 S * 10/2017 Blick D25/119
D802,799 S * 11/2017 Walker D25/121
D823,095 S * 7/2018 Stahl D8/354
D823,496 S * 7/2018 Farnsworth D26/24
D831,230 S * 10/2018 Hynek D25/119
D846,183 S * 4/2019 Bellows D26/138
D858,139 S * 9/2019 Holt D6/580
D859,611 S * 9/2019 Gori D23/267
D874,025 S * 1/2020 Kittur D25/119
2018/0306413 A1 * 10/2018 Tremaine F21V 15/012

OTHER PUBLICATIONS

"T Rails . . ." shopfittingsstore.com. Available Apr. 13, 2019.
Accessed Jan. 9, 2019. Available online via URL: <https://web.archive.org/web/20190413011522/https://www.shopfittingsstore.com.au/accessories-for-gondola-shelving/850-t-rails-with-adhesive-for-gondola-shelving-dividers-data-strip.html> (Year: 2019).*

* cited by examiner

FIG. 1

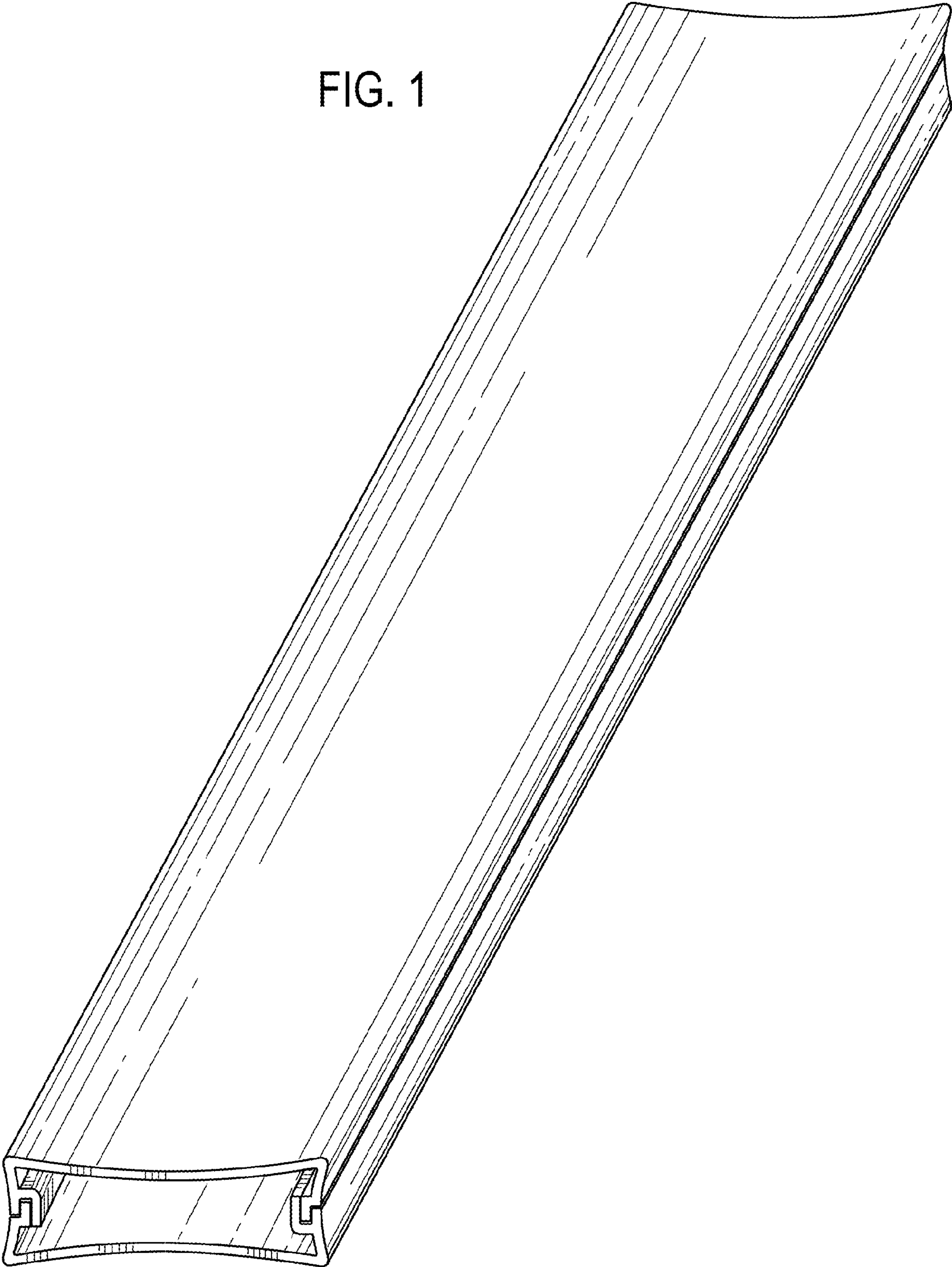


FIG. 2

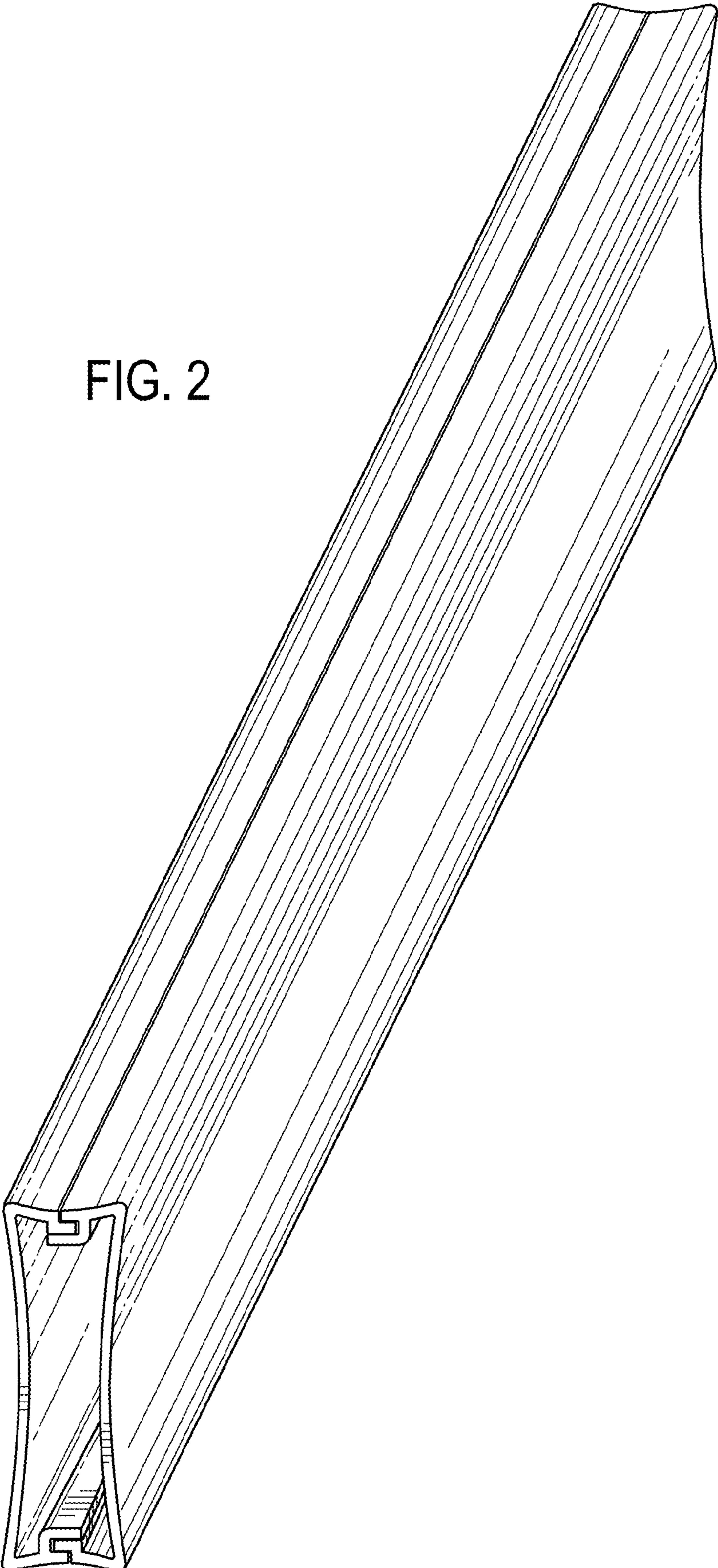


FIG. 3

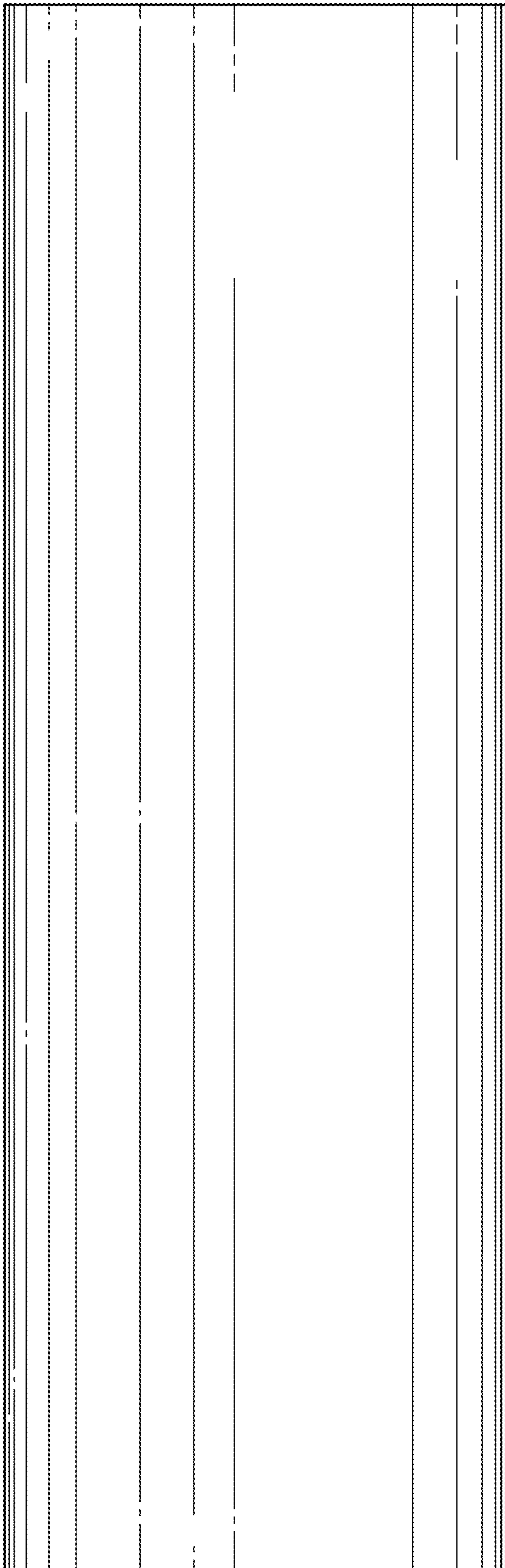


FIG. 4

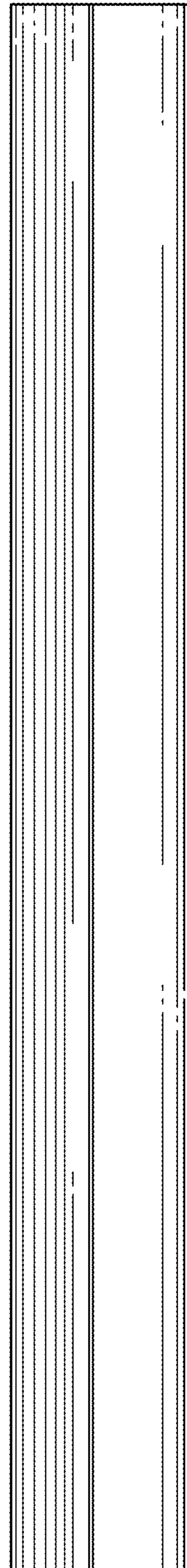


FIG. 5

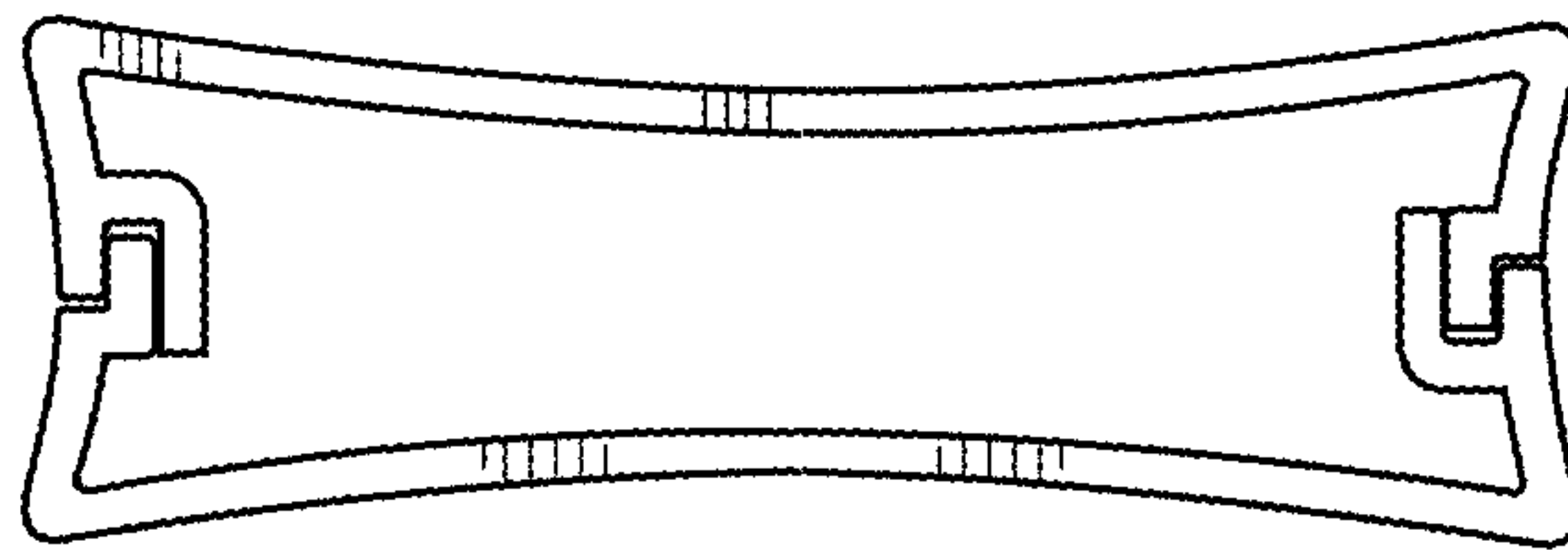
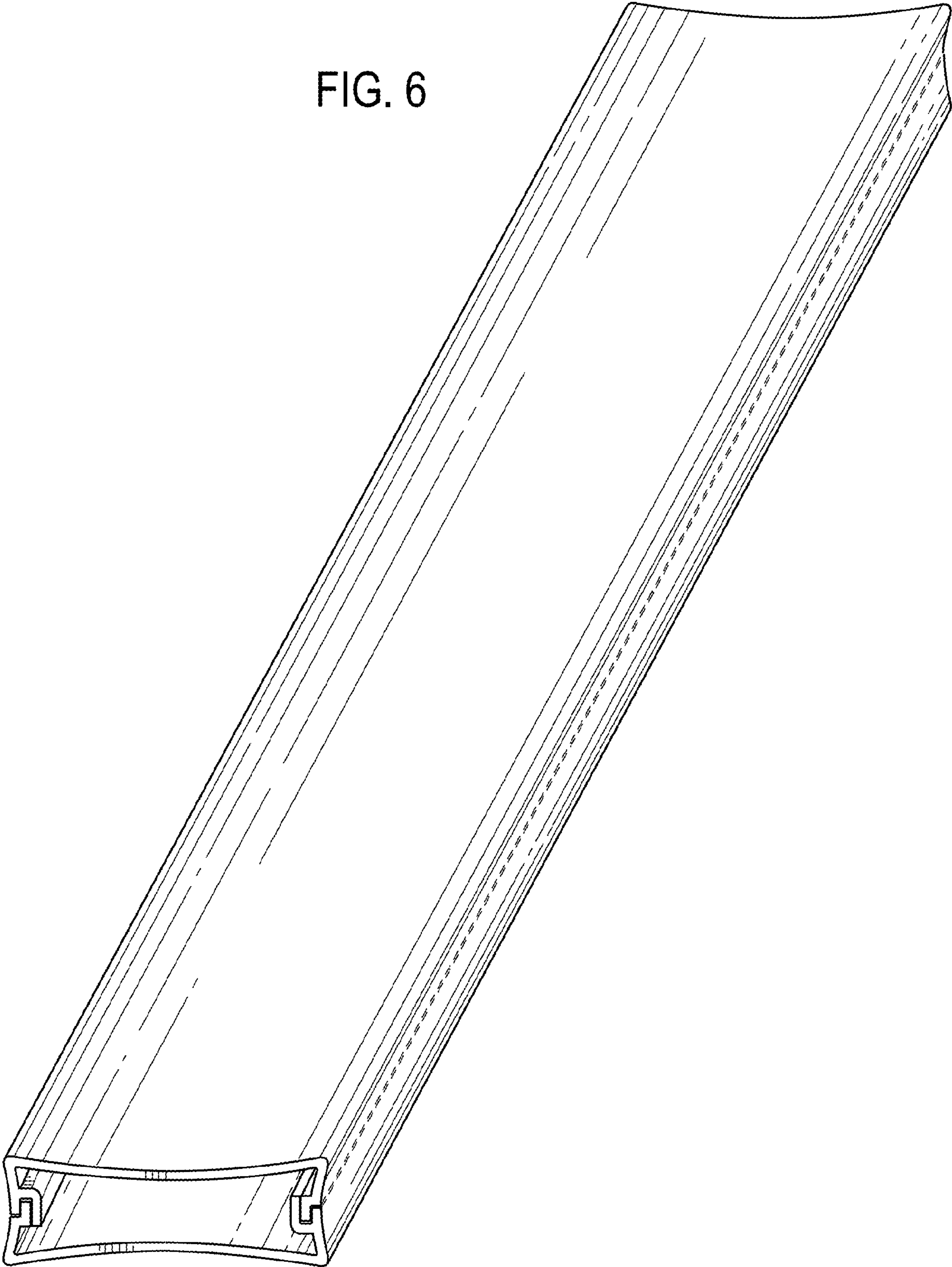


FIG. 6



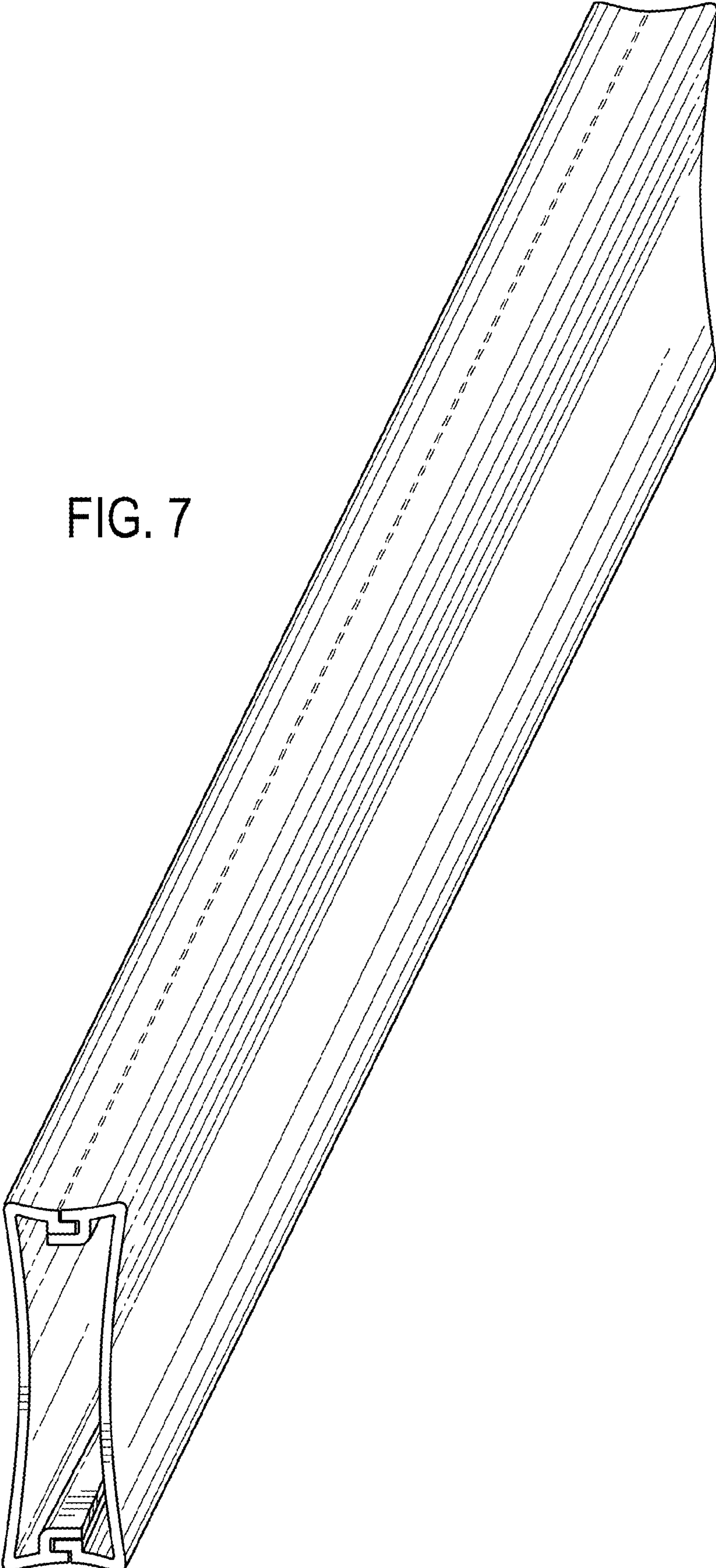


FIG. 7

FIG. 8

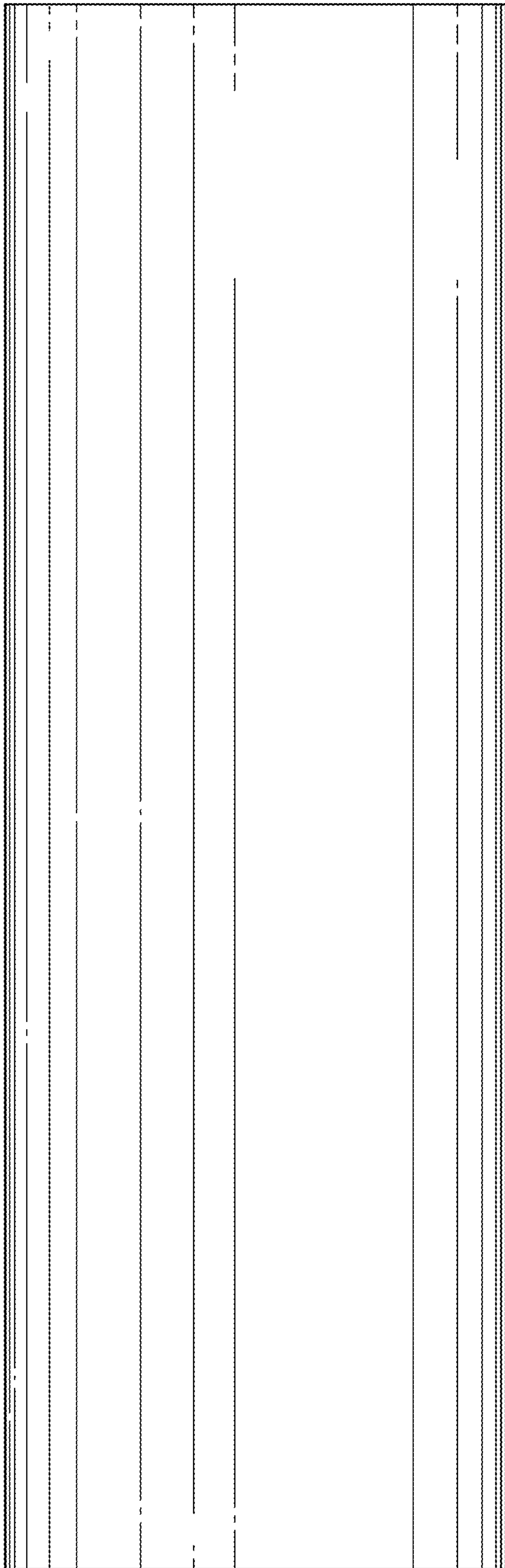


FIG. 9

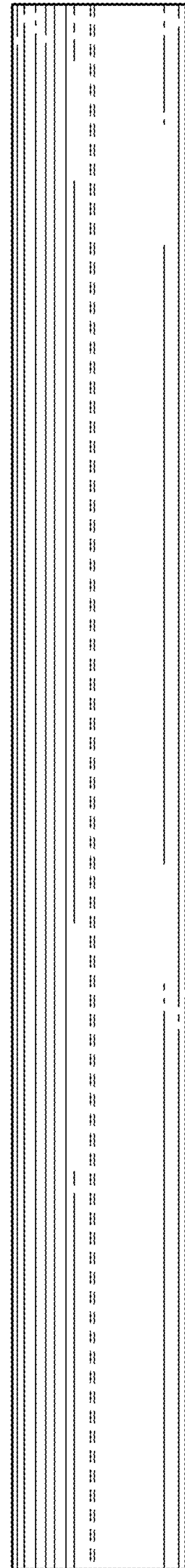


FIG. 10

