



US00D884789S

(12) **United States Design Patent** (10) **Patent No.:** **US D884,789 S**
Iwao (45) **Date of Patent:** **** May 19, 2020**

(54) **PEN**
(71) Applicant: **KABUSHIKI KAISHA PILOT CORPORATION**, Tokyo (JP)
(72) Inventor: **Genki Iwao**, Tokyo (JP)
(73) Assignee: **KABUSHIKI KAISHA PILOT CORPORATION**, Chuo-ku, Tokyo (JP)
(**) Term: **15 Years**
(21) Appl. No.: **29/650,398**
(22) Filed: **Jun. 6, 2018**

(30) **Foreign Application Priority Data**
Dec. 7, 2017 (JP) 2017-027453
Dec. 7, 2017 (JP) 2017-027454
(51) **LOC (12) Cl.** **19-06**
(52) **U.S. Cl.**
USPC **D19/164**; D19/914; D19/916
(58) **Field of Classification Search**
USPC D19/115–204; D14/411
(Continued)

(56) **References Cited**
U.S. PATENT DOCUMENTS
1,490,231 A * 4/1924 Poole B43K 25/022
24/11 M
D84,943 S * 8/1931 Larsen D19/164
(Continued)

Primary Examiner — Elizabeth A. Albert
(74) *Attorney, Agent, or Firm* — Sughrue Mion, PLLC

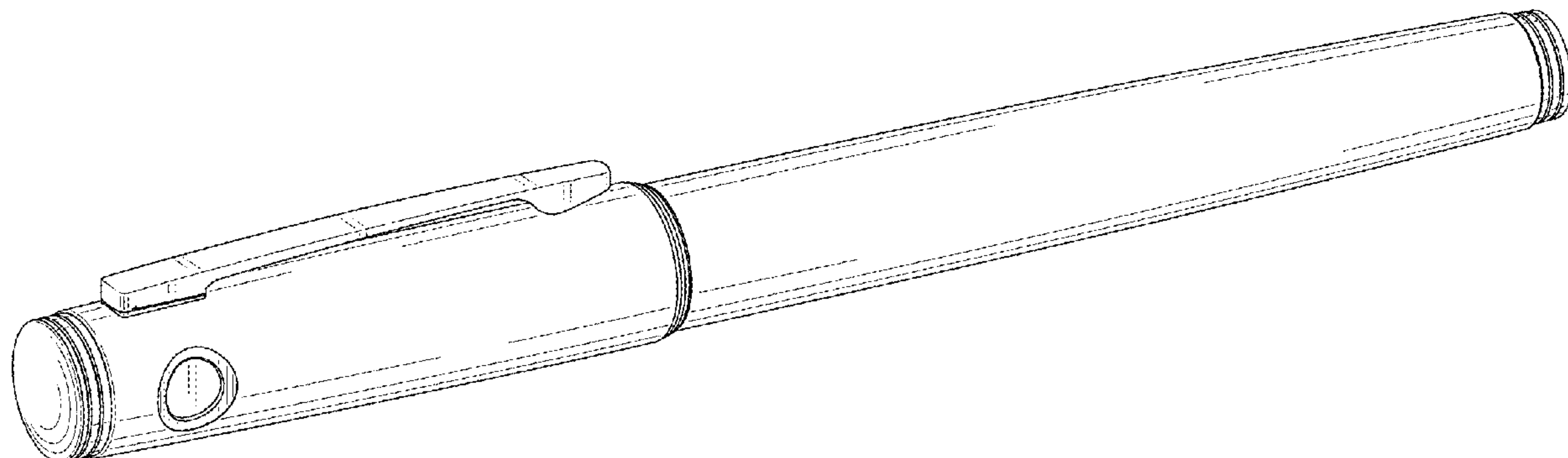
(57) **CLAIM**
The ornamental design for a pen, as shown and described.

DESCRIPTION

FIG. 1 is a perspective view of a pen according to a first embodiment showing my new design;

FIG. 2 is a front view thereof, a rear view being a mirror image;
FIG. 3 is a left side view thereof;
FIG. 4 is a right side view thereof;
FIG. 5 is a top view thereof;
FIG. 6 is a bottom view thereof;
FIG. 7 is a front view of a cap thereof, shown without the body for convenience; a rear view of the cap being a mirror image;
FIG. 8 is a left side view of the cap thereof;
FIG. 9 is a right side view of the cap thereof;
FIG. 10 is a top view of the cap thereof;
FIG. 11 is a bottom view of the cap thereof;
FIG. 12 is a front view of a body thereof, shown without the cap for convenience; a rear view of the body being a mirror image;
FIG. 13 is a left side view of the body thereof;
FIG. 14 is a right side view of the body thereof;
FIG. 15 is a top view of the body thereof;
FIG. 16 is a bottom view of the body thereof;
FIG. 17 is an exploded perspective view thereof;
FIG. 18 is a perspective view of a pen according to a second embodiment showing my new design;
FIG. 19 is a front view thereof, a rear view being a mirror image;
FIG. 20 is a left side view thereof;
FIG. 21 is a right side view thereof;
FIG. 22 is a top view thereof;
FIG. 23 is a bottom view thereof;
FIG. 24 is a front view of a cap thereof, shown without the body for convenience; a rear view of the cap being a mirror image;
FIG. 25 is a left side view of the cap thereof;
FIG. 26 is a right side view of the cap thereof;
FIG. 27 is a top view of the cap thereof;
FIG. 28 is a bottom view of the cap thereof;
FIG. 29 is a front view of a body thereof, shown without the cap for convenience; a rear view of the body being a mirror image, a top and bottom views of the body being identical to the front view,
FIG. 30 is a left side view of the body thereof;
FIG. 31 is a right side view of the body thereof; and,
FIG. 32 is an exploded perspective view thereof.

(Continued)



The broken lines showing the inside in FIG. 9 are included for the purpose of showing a portion of the pen that forms no part of the claimed design.

1 Claim, 13 Drawing Sheets

(58) **Field of Classification Search**

CPC . B43K 5/005; B43K 7/12; B43K 8/04; B43K 8/06; B43K 19/00; B43K 19/02; B43K 19/14; B43K 21/006; B43K 21/06
See application file for complete search history.

(56) **References Cited**

U.S. PATENT DOCUMENTS

2,147,561 A * 2/1939 Sherlock B43L 19/02
30/169
2,156,775 A * 5/1939 Zimmer B43K 29/00
40/334
D254,912 S * 5/1980 Ito D19/164
D258,217 S * 2/1981 Sakaoka D19/168
D259,792 S * 7/1981 Itoh D19/169
D261,010 S * 9/1981 Itoh D19/168
D266,258 S * 9/1982 Lockwood D19/179
D266,769 S * 11/1982 Camps D19/169
D267,655 S * 1/1983 Verona D19/169
D275,577 S * 9/1984 Hechter D19/168

D280,737 S * 9/1985 Verhaegue D19/169
D282,672 S * 2/1986 LeBlanc D19/179
D286,547 S * 11/1986 Koizumi D19/169
D288,335 S * 2/1987 Regnault D19/168
D323,673 S * 2/1992 Gomez D19/169
D324,236 S * 2/1992 Gomez D19/169
D330,217 S * 10/1992 Booker D19/168
D367,200 S * 2/1996 Brown D19/169
D367,673 S * 3/1996 Compte D19/164
D372,048 S * 7/1996 Hollington D19/168
D458,305 S * 6/2002 Iwase D19/169
D462,386 S * 9/2002 Iwase D19/169
D467,970 S * 12/2002 Pellissa Beneyto D19/169
D478,350 S * 8/2003 Furlong D19/164
D501,028 S * 1/2005 Carre D19/168
7,168,105 B2 * 1/2007 Adelman B43K 5/005
401/195
D547,375 S * 7/2007 Gerules D19/168
D563,470 S * 3/2008 Qiu D19/168
D611,539 S * 3/2010 Zhang D19/168
D612,423 S * 3/2010 Suero, Jr. D19/164
D612,424 S * 3/2010 Suero, Jr. D19/164
D628,241 S * 11/2010 Stukenkemper D19/168
D628,646 S * 12/2010 Zhano D19/164
D645,083 S * 9/2011 Stukenkemper D19/168
D662,986 S * 7/2012 Liu D19/169
D679,322 S * 4/2013 Martin D19/168
D698,864 S * 2/2014 Watase D19/164
D754,661 S * 4/2016 Nishizawa D14/411
D862,593 S * 10/2019 Morrison D19/170

* cited by examiner

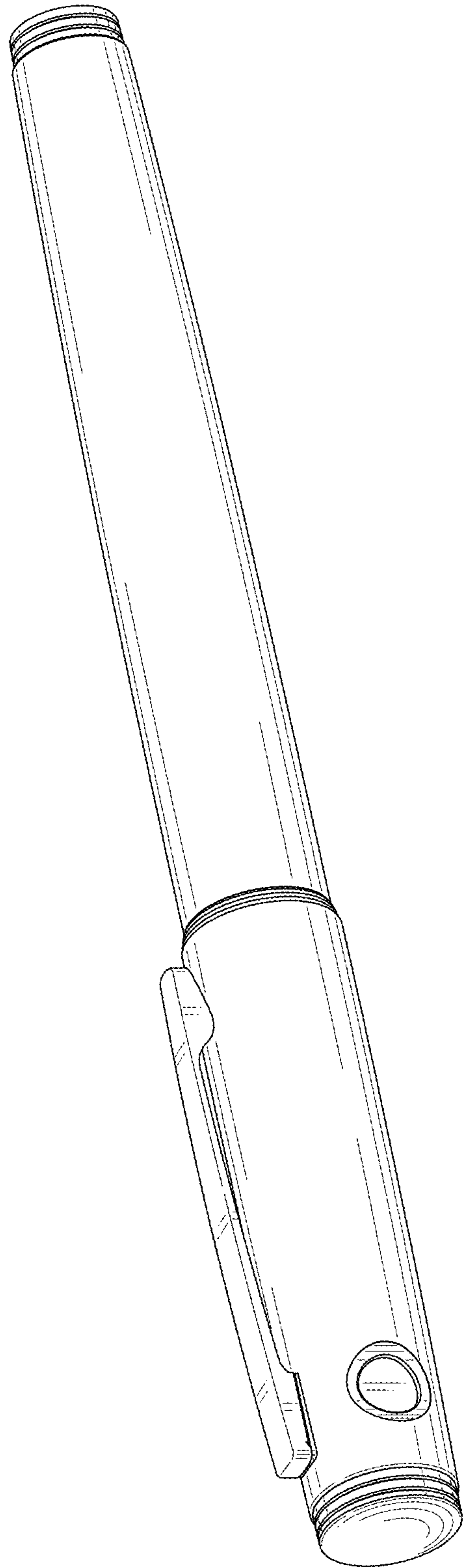


FIG. 1

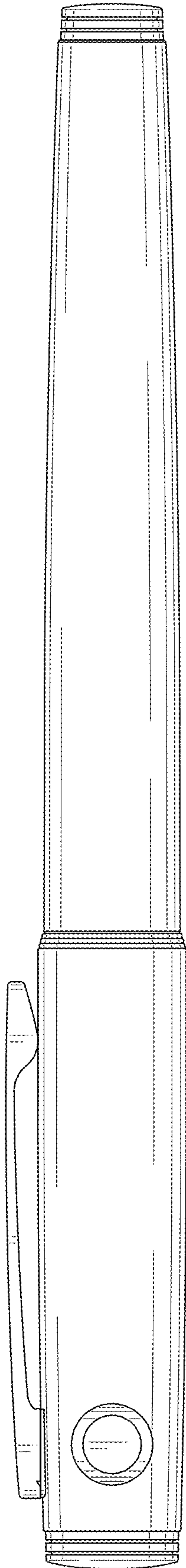


FIG. 2

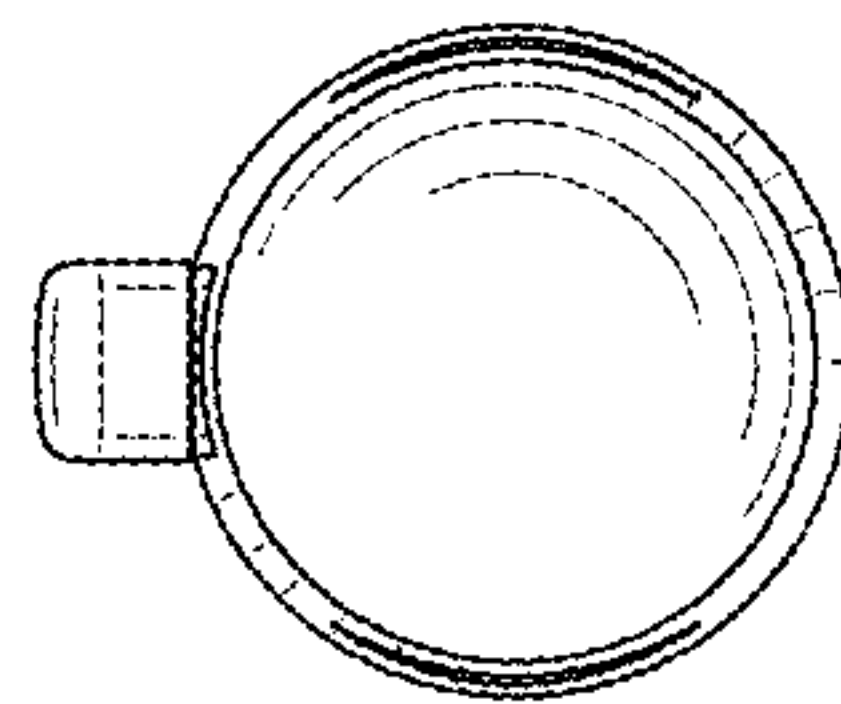


FIG. 3

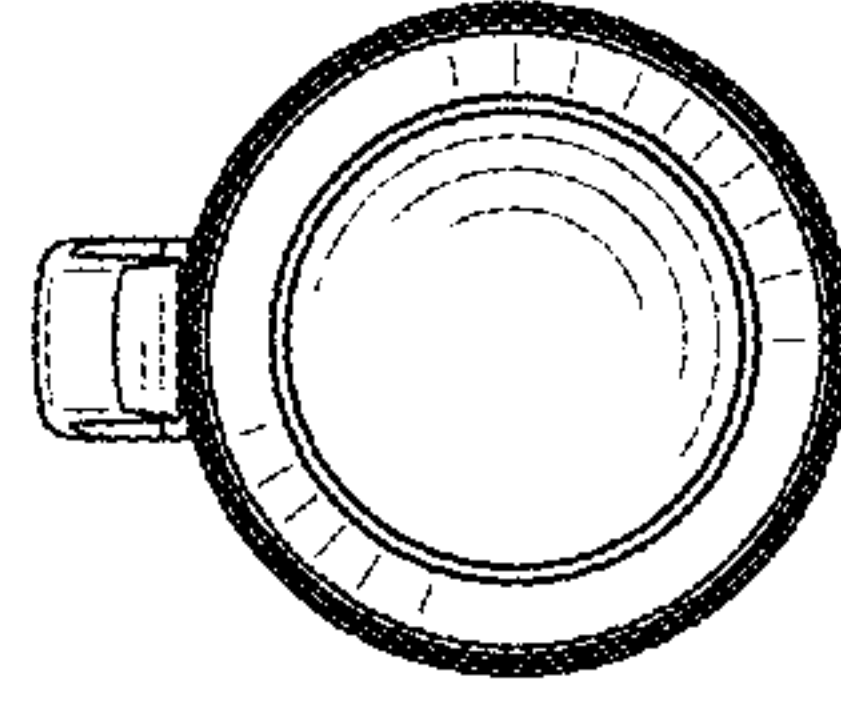


FIG. 4

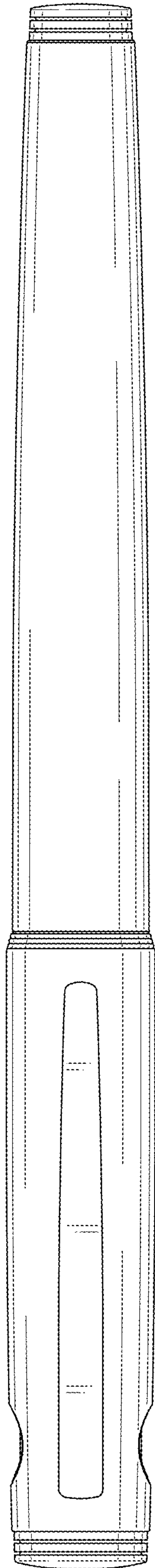


FIG. 5

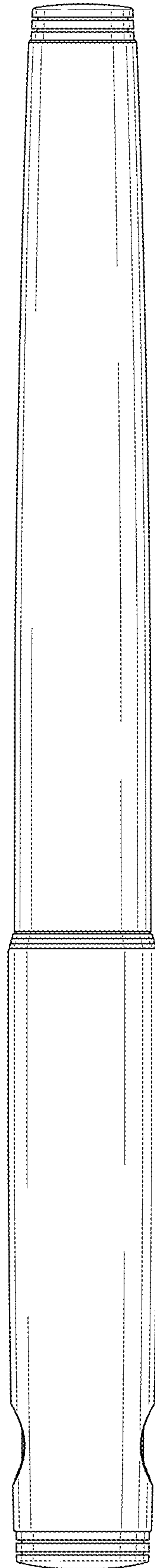


FIG. 6

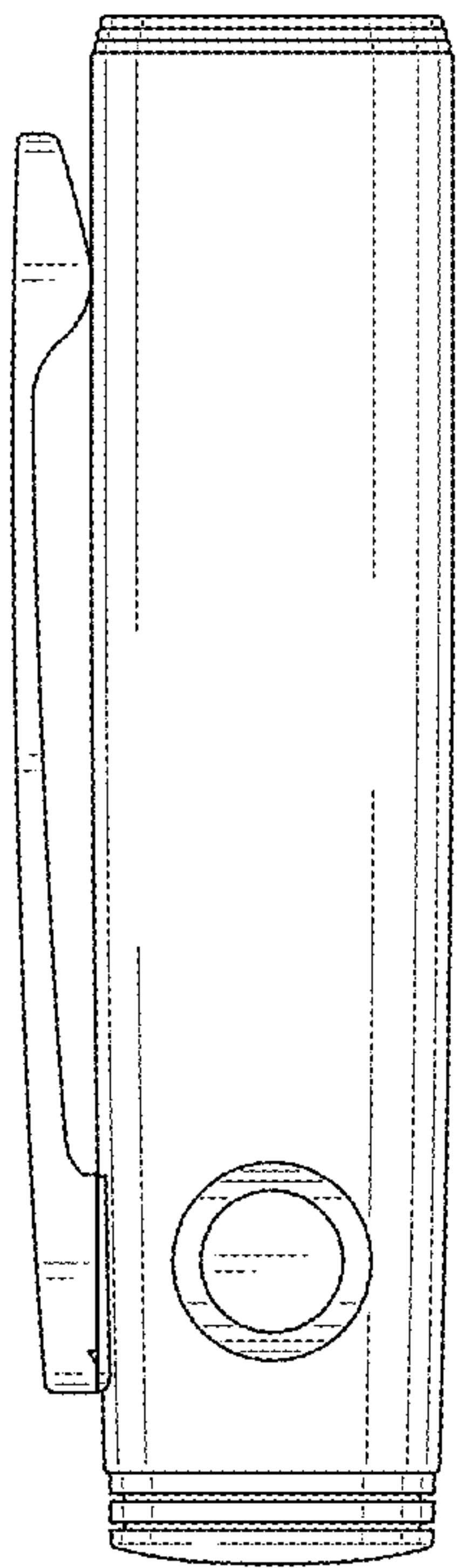


FIG. 7

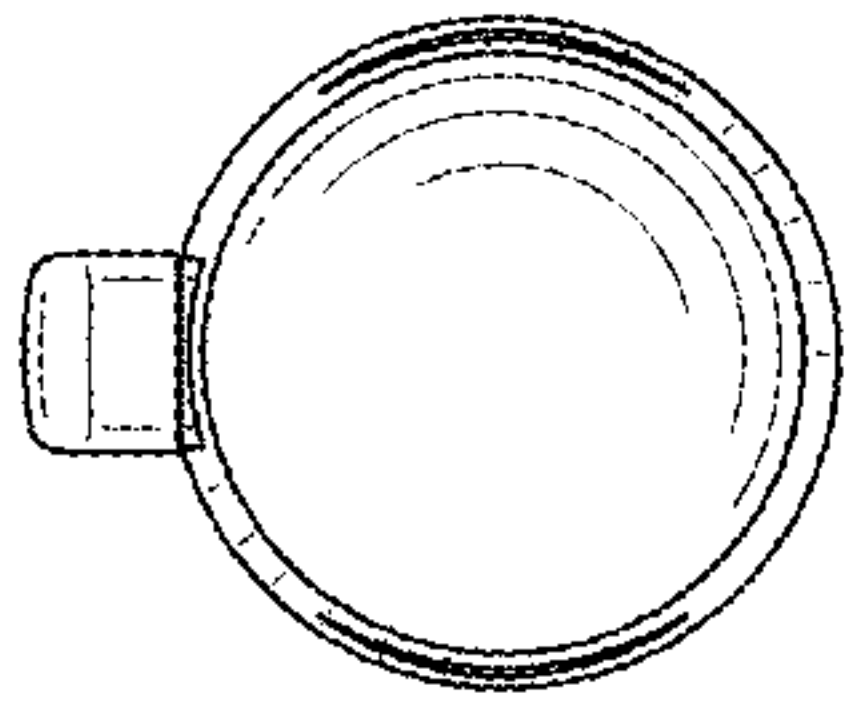


FIG. 8

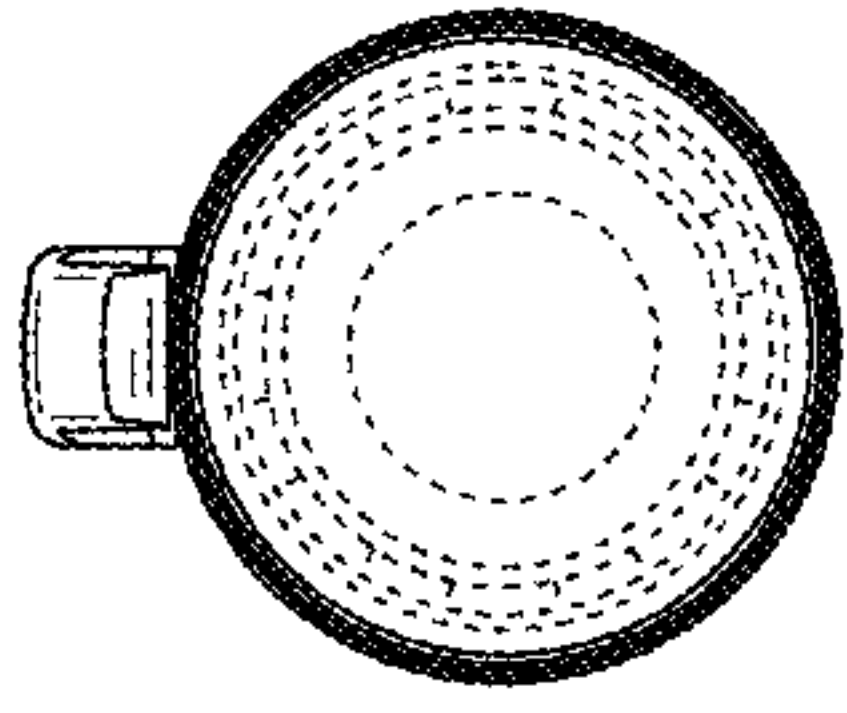


FIG. 9

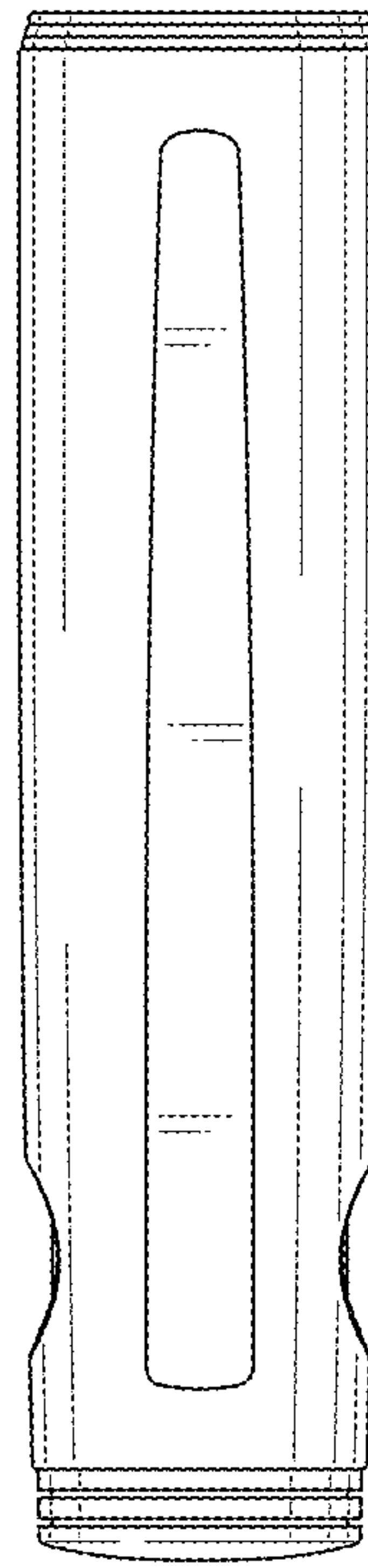


FIG. 10

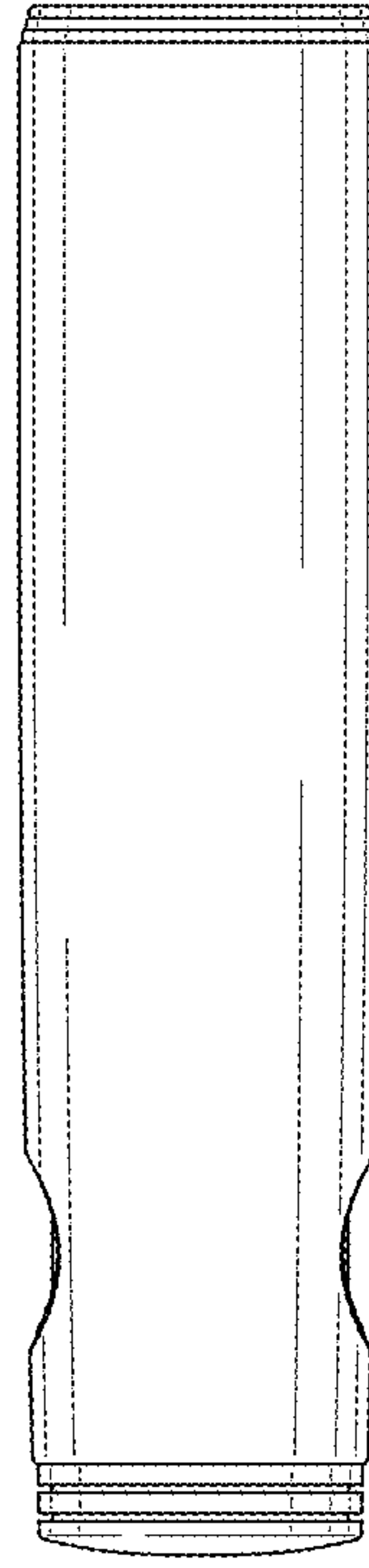


FIG. 11

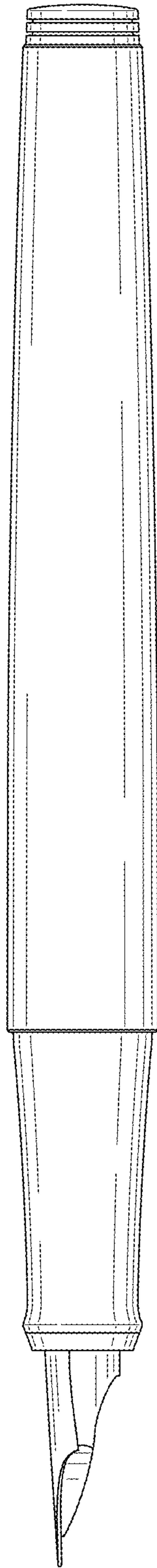


FIG. 12

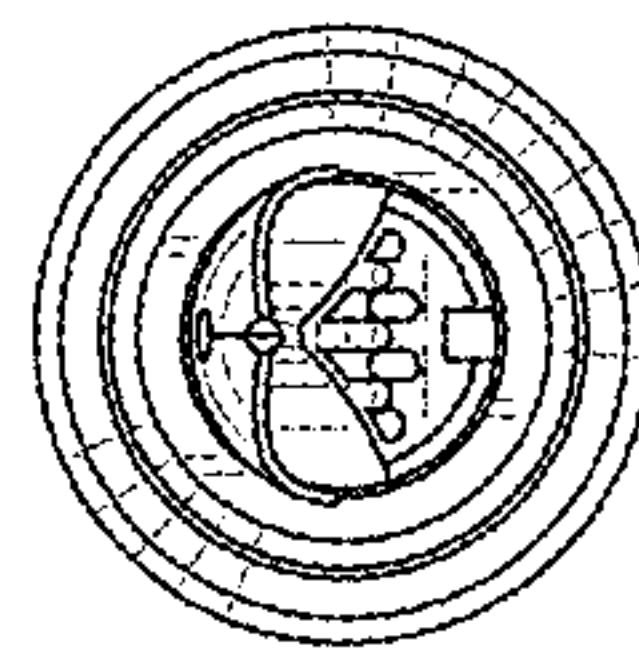


FIG. 13

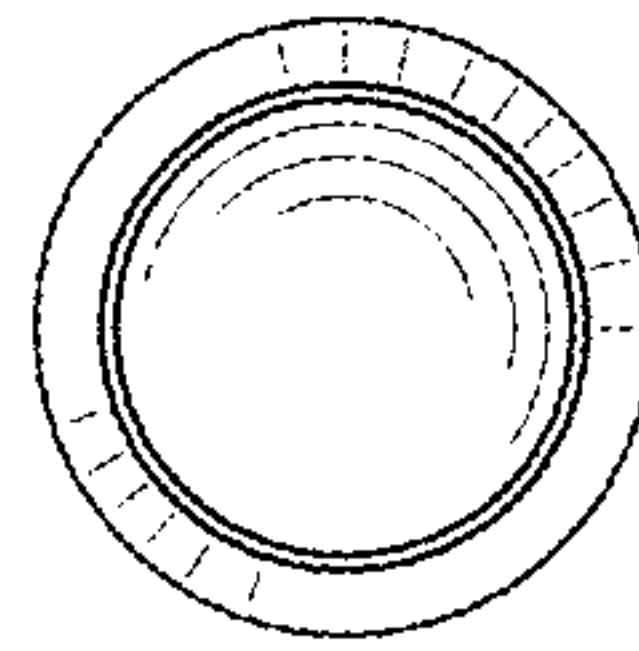


FIG. 14

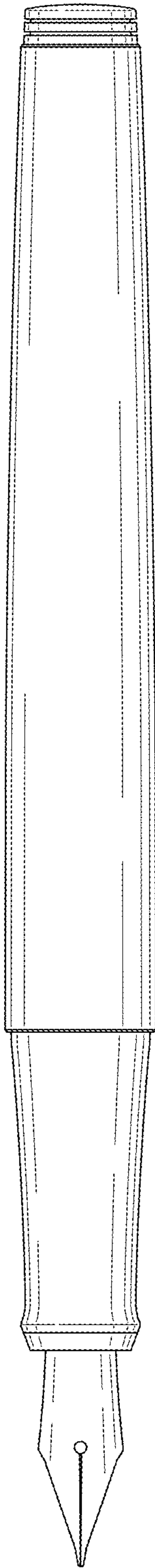


FIG. 15

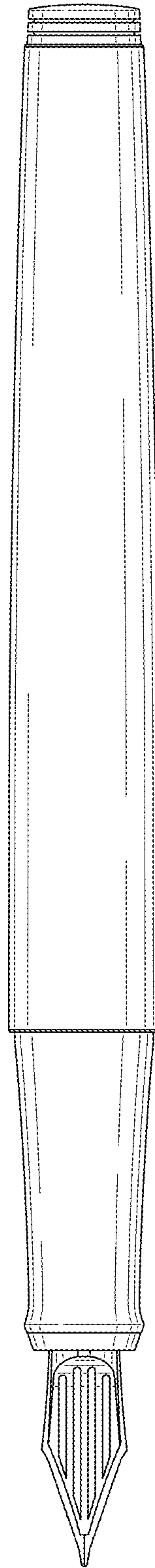


FIG. 16

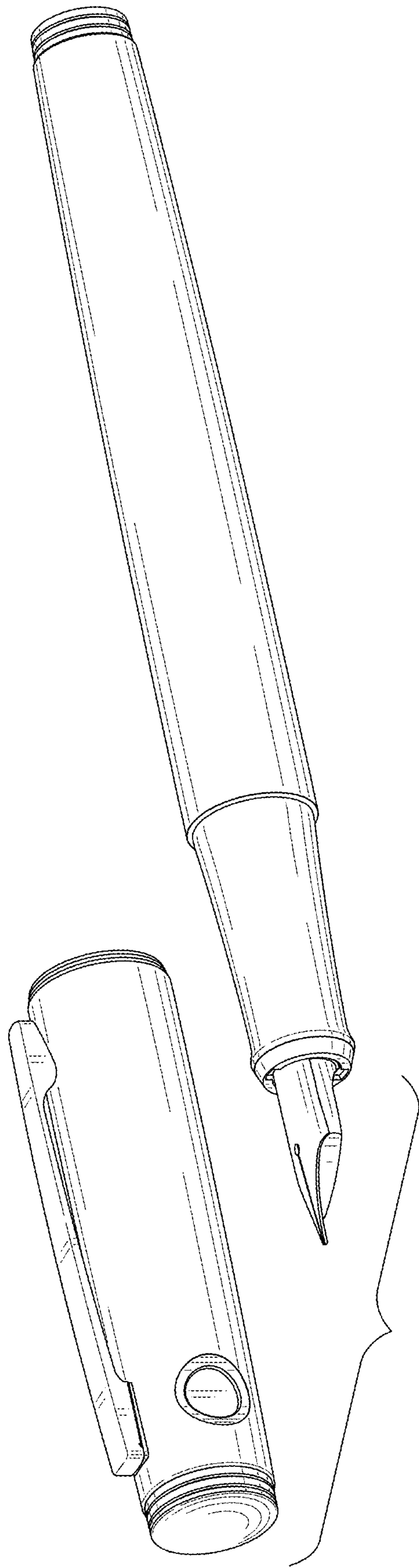


FIG. 17

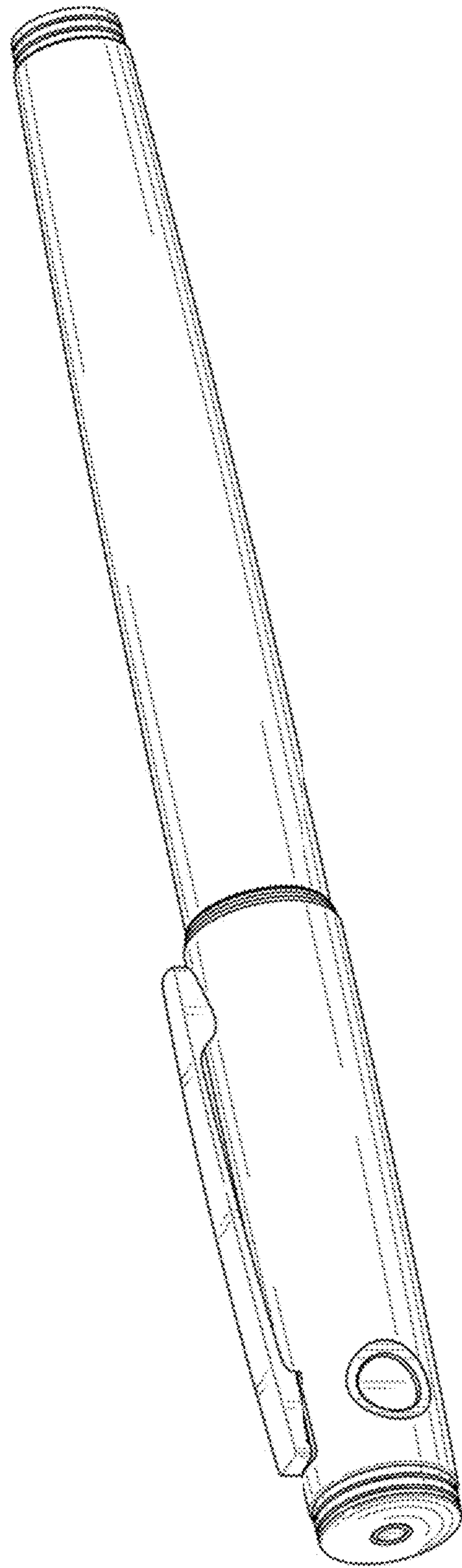


FIG. 18

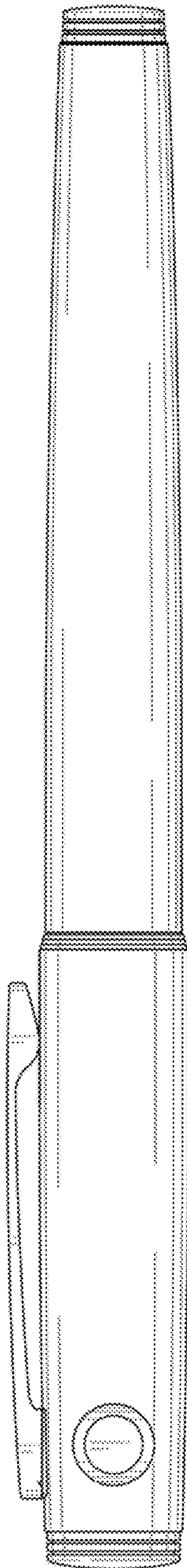


FIG. 19

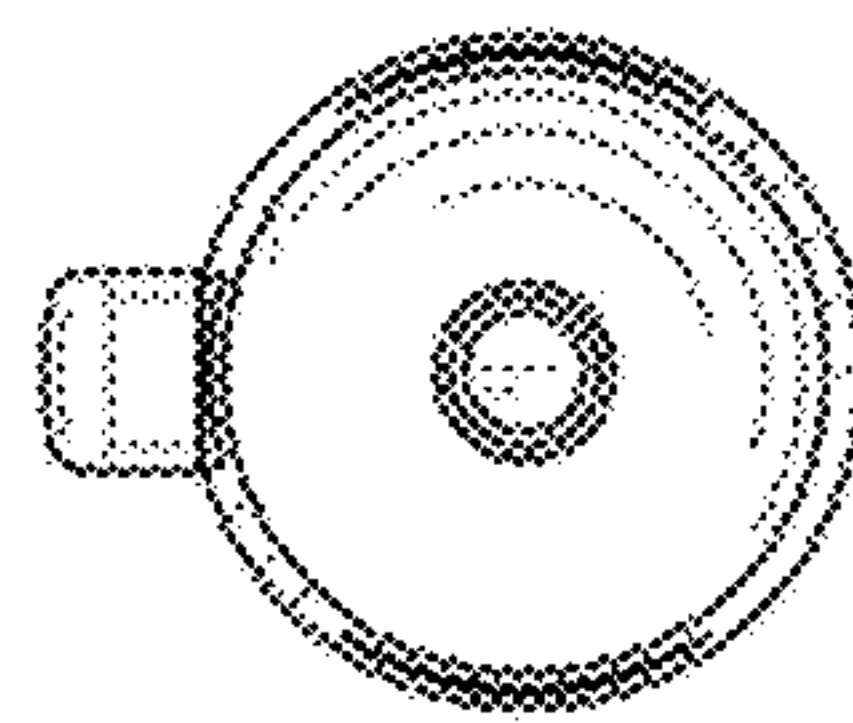


FIG. 20

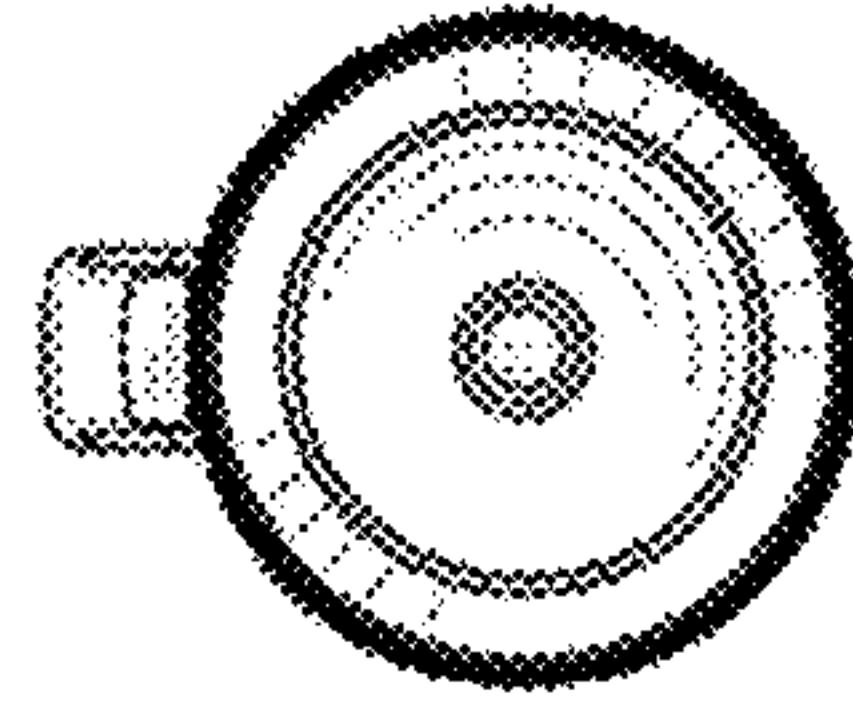


FIG. 21

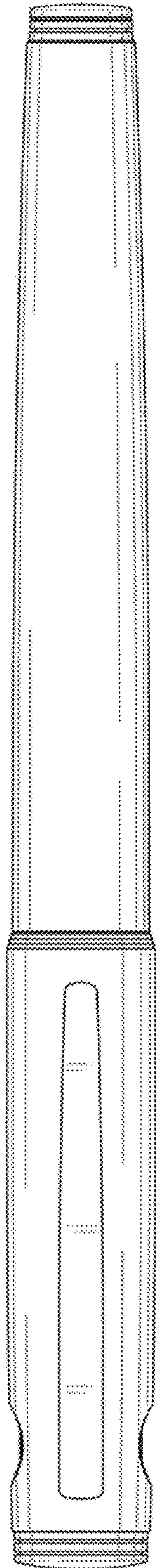


FIG. 22

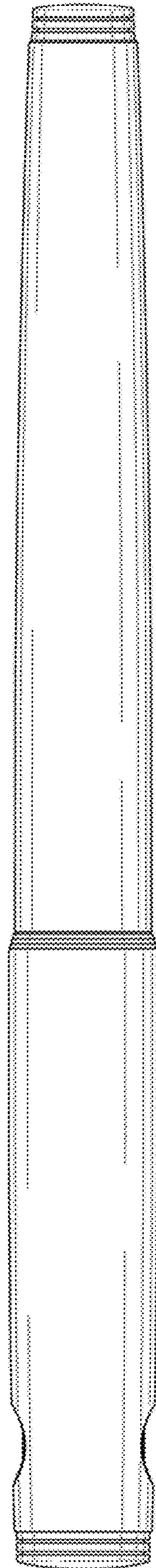


FIG. 23

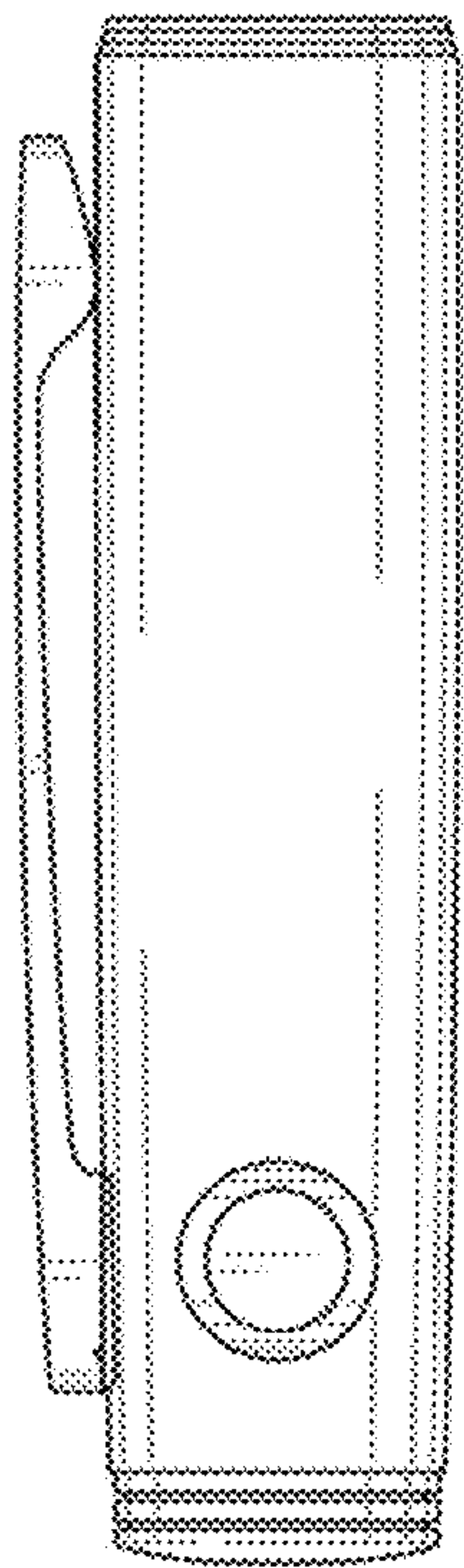


FIG. 24

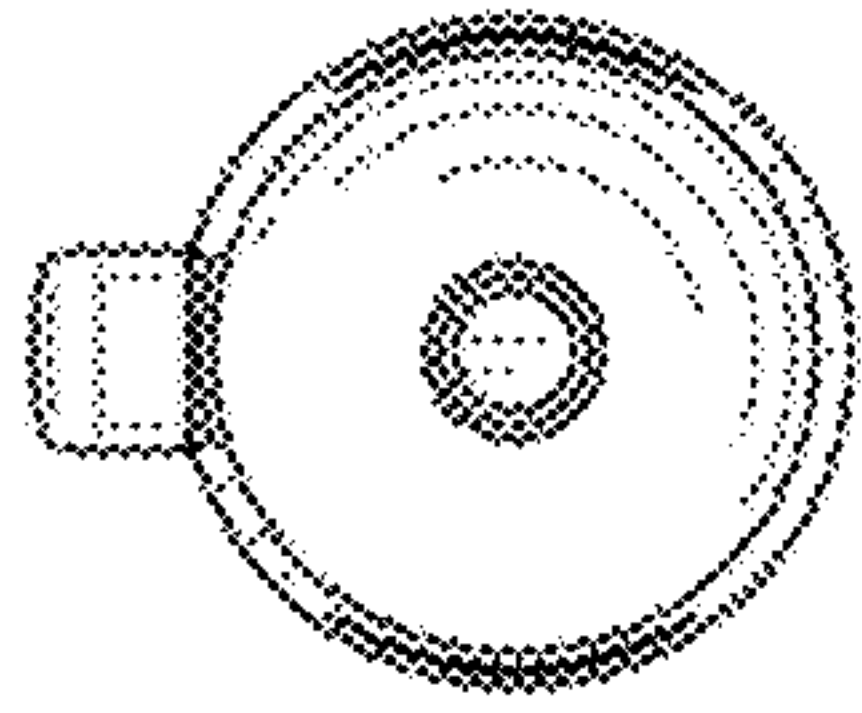


FIG. 25

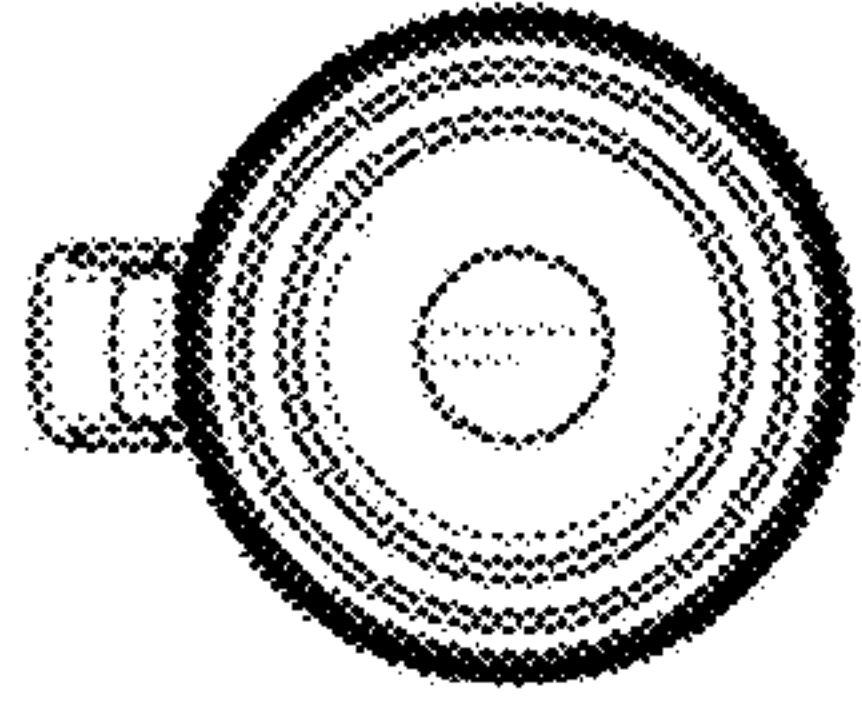


FIG. 26

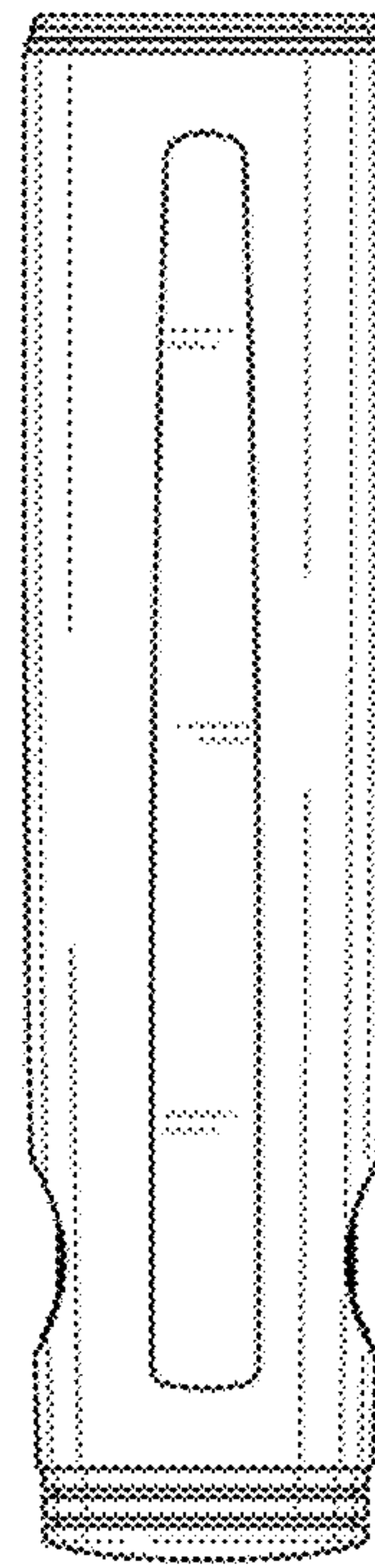


FIG. 27

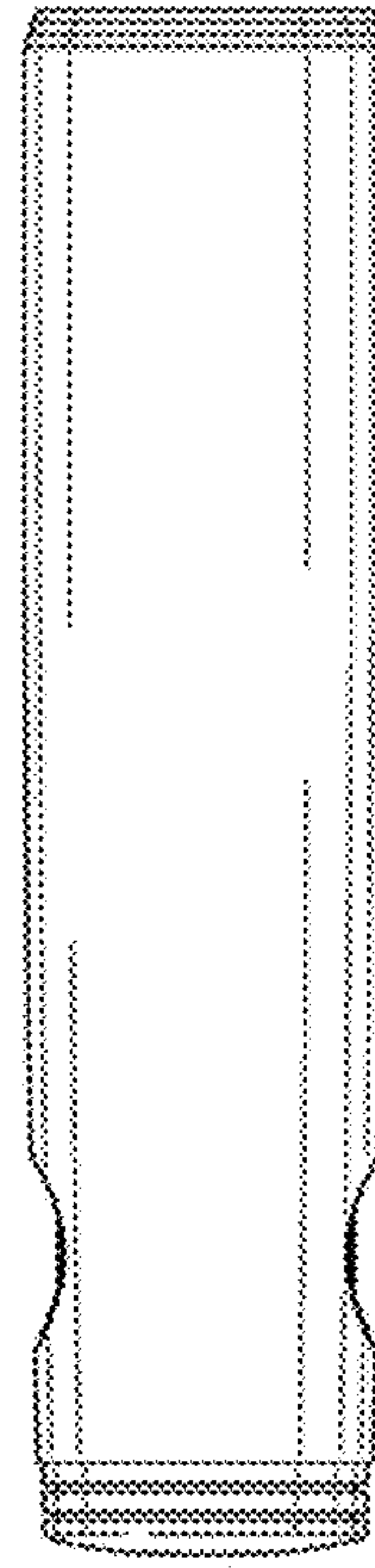


FIG. 28

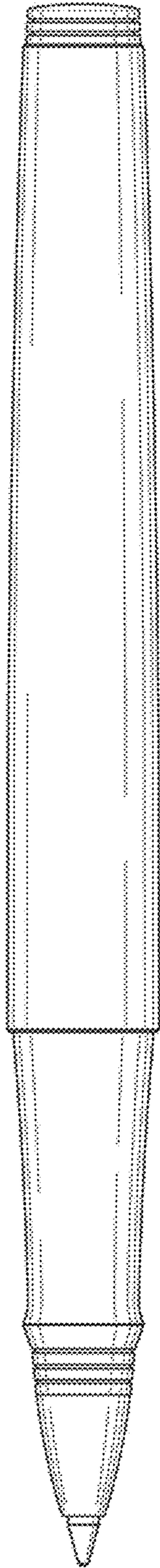


FIG. 29

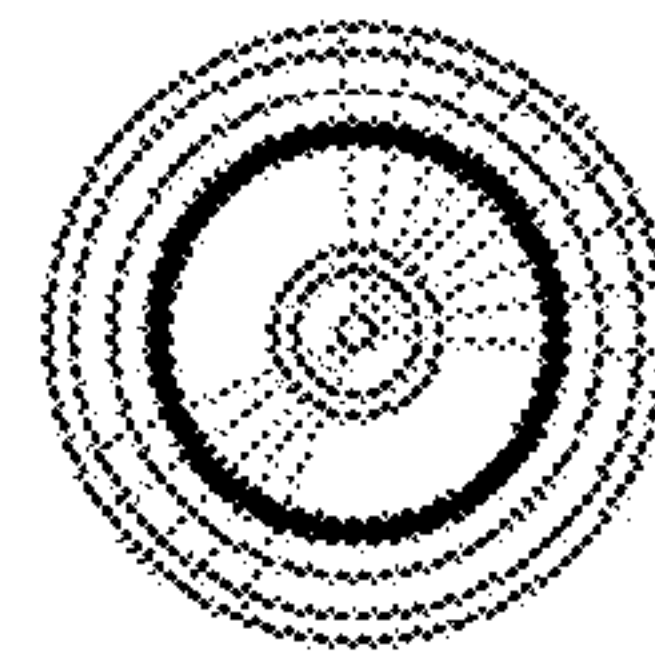


FIG. 30

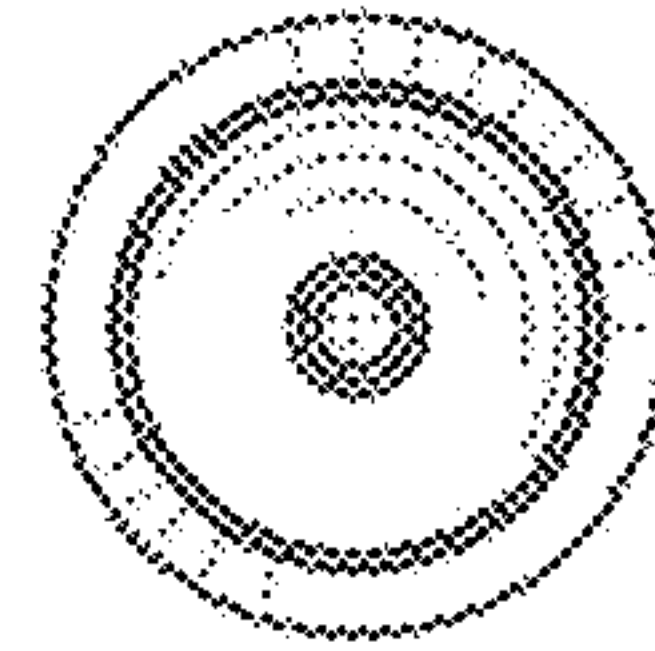


FIG. 31

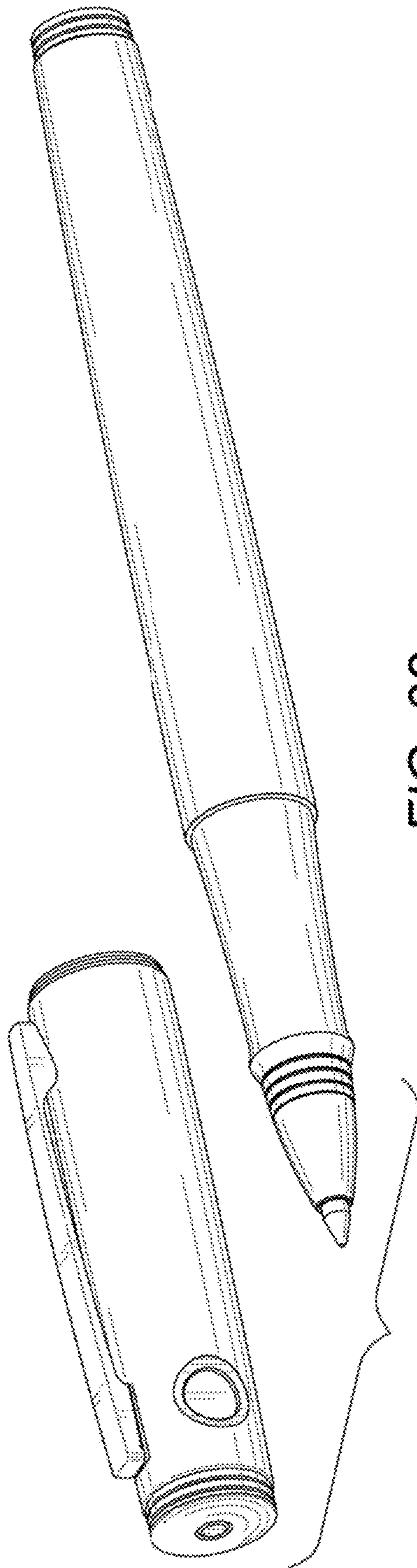


FIG. 32