



US00D884786S

(12) **United States Design Patent**  
**Gordon**

(10) **Patent No.:** **US D884,786 S**

(45) **Date of Patent:** **\*\* May 19, 2020**

- (54) **ROTATABLE PEN**
- (71) Applicant: **Tyler Gordon**, Woodland Hills, CA  
(US)
- (72) Inventor: **Tyler Gordon**, Woodland Hills, CA  
(US)
- (\*\*) Term: **15 Years**
- (21) Appl. No.: **29/655,901**
- (22) Filed: **Jul. 9, 2018**
- (51) **LOC (12) Cl.** ..... **19-06**
- (52) **U.S. Cl.**  
USPC ..... **D19/117; D19/914**
- (58) **Field of Classification Search**  
USPC ..... D19/115-204; D14/411  
CPC . B43K 5/005; B43K 7/12; B43K 8/04; B43K  
8/06; B43K 19/00; B43K 19/02; B43K  
19/14; B43K 21/006; B43K 21/06  
See application file for complete search history.

6,554,515	B2 *	4/2003	Debbas	.....	B43K 5/005	16/430
D534,953	S *	1/2007	Kramer	.....	D19/121	
D538,852	S *	3/2007	Chen	.....	D19/170	
D628,632	S *	12/2010	Liu	.....	D19/121	
D684,974	S *	6/2013	Blankenbaker, Jr.	.....	D14/411	
D712,410	S *	9/2014	Shu	.....	D14/411	
D720,011	S *	12/2014	Ishiwata	.....	D19/181	
8,961,047	B2 *	2/2015	Gueret	.....	A45D 34/042	16/430
D763,166	S *	8/2016	Berson	.....	D12/215	
D782,041	S *	3/2017	Pell	.....	D24/144	
2011/0250002	A1 *	10/2011	Vora	.....	B43K 5/005	401/8

\* cited by examiner

*Primary Examiner* — Elizabeth A. Albert  
(74) *Attorney, Agent, or Firm* — Dykema Gossett PLLC

(57) **CLAIM**

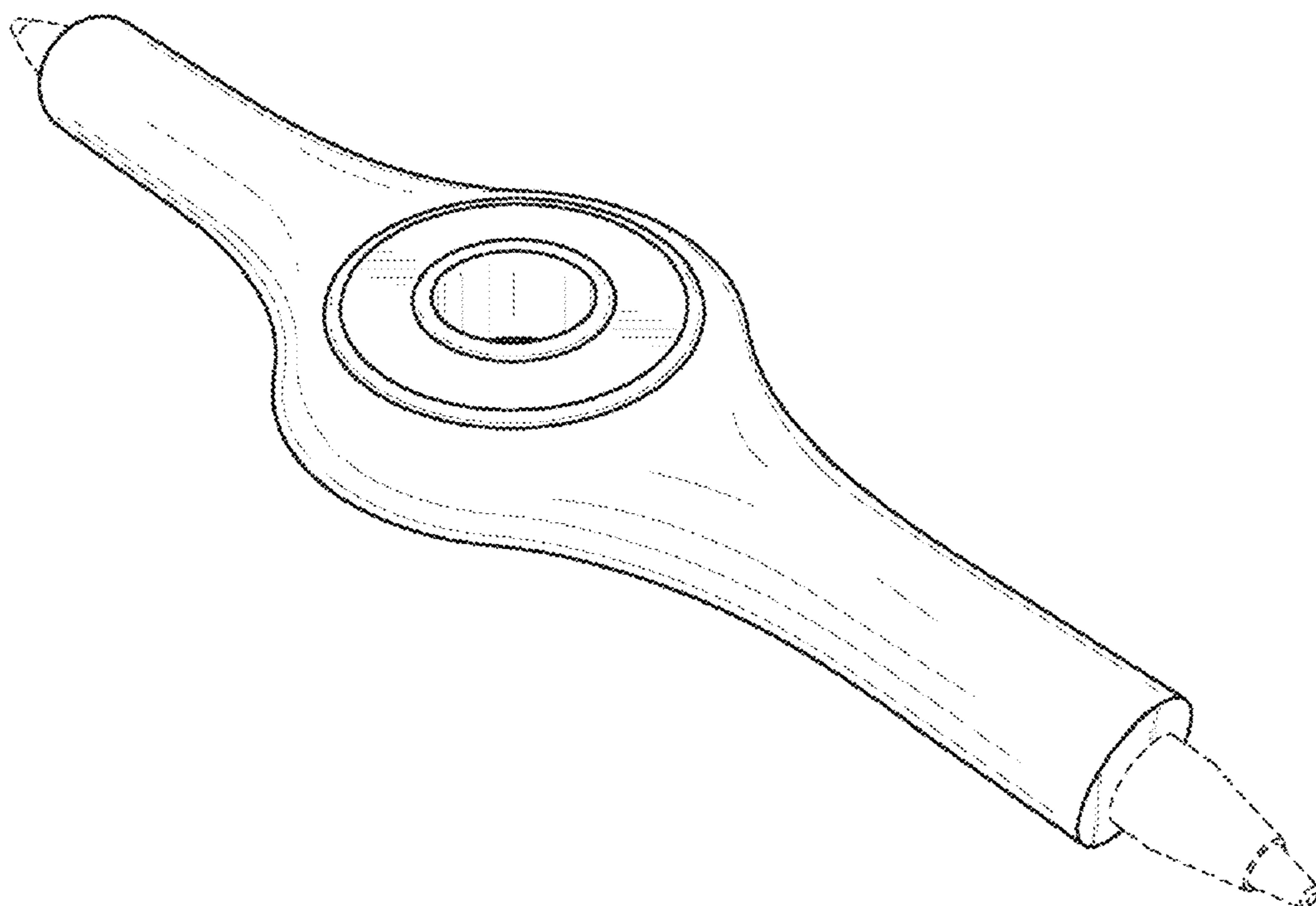
The ornamental design for a rotatable pen, as shown and described.

**DESCRIPTION**

FIG. 1 is a perspective view of a rotatable pen according to my new and ornamental design,  
FIG. 2 is a top plan view thereof,  
FIG. 3 is a bottom plan view thereof,  
FIG. 4 is an elevational side view thereof, an opposite side view being a mirror image; and,  
FIG. 5 is an elevational end view thereof, an opposite end view being a mirror image.  
The features shown in broken lines in the figures form no part of the claimed design.

**1 Claim, 2 Drawing Sheets**

- (56) **References Cited**  
U.S. PATENT DOCUMENTS
- D52,310 S \* 8/1918 Dziezc ..... D8/47
- D79,010 S \* 7/1929 Barnhart ..... D8/104
- 4,127,338 A \* 11/1978 Laybourne ..... A46B 5/04  
401/8
- 5,391,010 A \* 2/1995 Gorbunov ..... B43K 7/005  
15/443
- D434,072 S \* 11/2000 Nakagawa ..... D19/178
- 6,161,974 A \* 12/2000 Nakagawa ..... B43K 23/008  
401/6
- 6,328,493 B1 \* 12/2001 Starchevich ..... B43K 7/005  
40/334



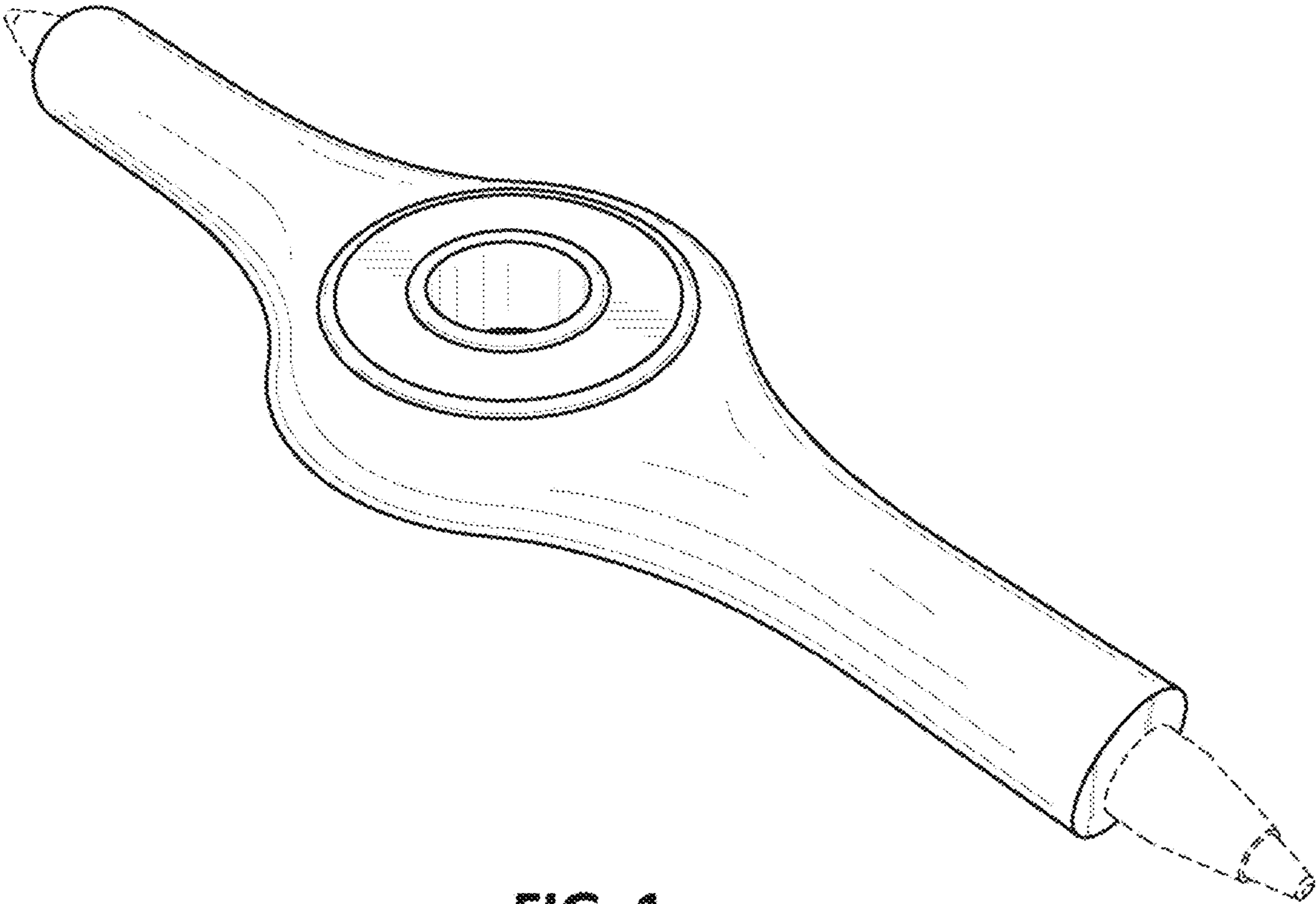


FIG. 1

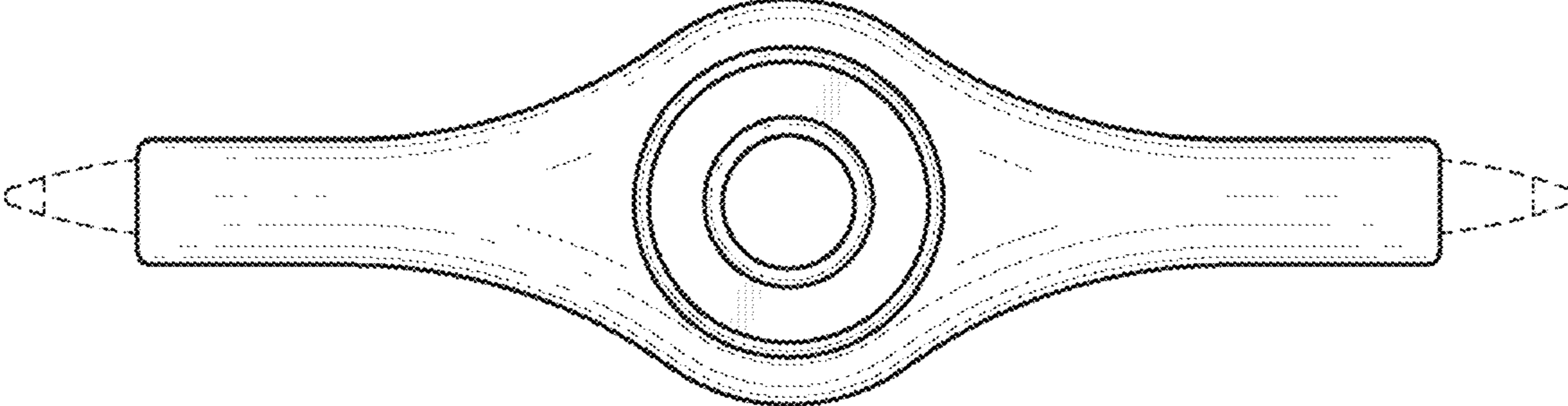


FIG. 2

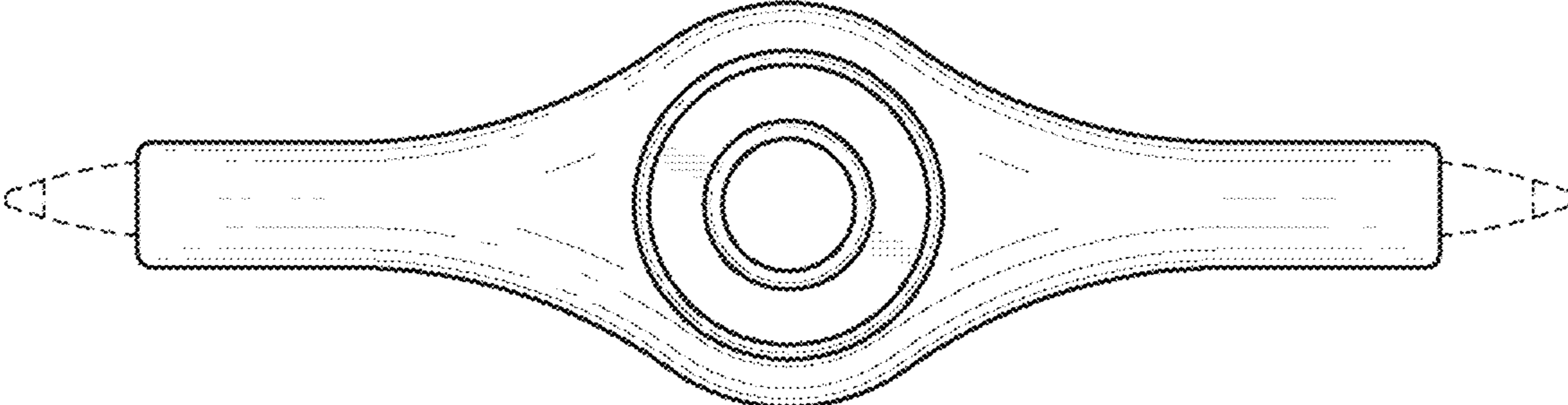


FIG. 3

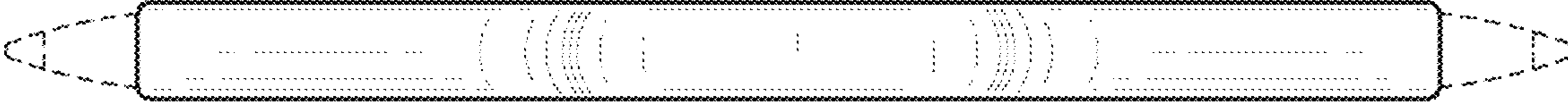


FIG. 4



FIG. 5