



US00D884785S

(12) **United States Design Patent** (10) **Patent No.:** **US D884,785 S**  
**Wiesner** (45) **Date of Patent:** **\*\* May 19, 2020**

(54) **TEACHING MATERIAL**

2009/2442; A63F 2011/0095; A63F 2250/00; A63F 2300/5513; A63F 2300/575;

(71) Applicant: **Patrik Wiesner**, Vienna (AT)

(Continued)

(72) Inventor: **Patrik Wiesner**, Vienna (AT)

(\*\*) Term: **15 Years**

(56) **References Cited**

(21) Appl. No.: **35/506,278**

U.S. PATENT DOCUMENTS

(22) Filed: **Jul. 2, 2018**

D172,317 S \* 5/1954 Shellman ..... D10/125  
D505,164 S \* 5/2005 McCabe ..... D19/59

(Continued)

(80) **Hague Agreement Data**

Int. Filing Date: **Jul. 2, 2018**

*Primary Examiner* — Khawaja Anwar

Int. Reg. No.: **DM/101945**

(74) *Attorney, Agent, or Firm* — Design IP

Int. Reg. Date: **Jul. 2, 2018**

Int. Reg. Pub. Date: **Jan. 4, 2019**

(57) **CLAIM**

The ornamental design for a teaching material, as shown and described.

(30) **Foreign Application Priority Data**

Jan. 3, 2018 (EM) ..... 004591782

**DESCRIPTION**

(51) **LOC (12) Cl.** ..... **19-07**

(52) **U.S. Cl.** ..... **D19/59**

USPC ..... **D19/59**

(58) **Field of Classification Search**

USPC ..... D19/59-64; D10/64, 70, 71; D24/172, D24/231, 186

CPC ..... A63F 13/25; A63F 13/35; A63F 13/537;

A63F 13/65; A63F 13/792; A63F 13/822;

A63F 2300/8082; A63F 9/0078; A63F

13/00; A63F 13/211; A63F 13/212; A63F

13/213; A63F 13/235; A63F 13/28; A63F

13/30; A63F 13/31; A63F 13/352; A63F

13/42; A63F 13/44; A63F 13/45; A63F

13/52; A63F 13/53; A63F 13/533; A63F

13/5375; A63F 13/56; A63F 13/58; A63F

13/73; A63F 13/75; A63F 13/79; A63F

13/795; A63F 13/80; A63F 13/85; A63F

13/92; A63F 1/00; A63F 2001/0416;

A63F 2003/00182; A63F 2003/00861;

A63F 2003/00996; A63F 2003/0426;

A63F 2003/0428; A63F 2003/088; A63F

2009/1022; A63F 2009/105; A63F

1.-2. Teaching material

1.1: Front

1.2: Back

1.3: First perspective front

1.4: Second perspective front

1.5: First side

1.6: Second side

1.7: Third side

1.8: Fourth side

1.9: Transition state

2.1: Front view of square state

2.2: Back view of square state

2.3: Perspective front view of square state

2.4: Intermediate state

2.5: Front view of triangle state

2.6: Back view of triangle state

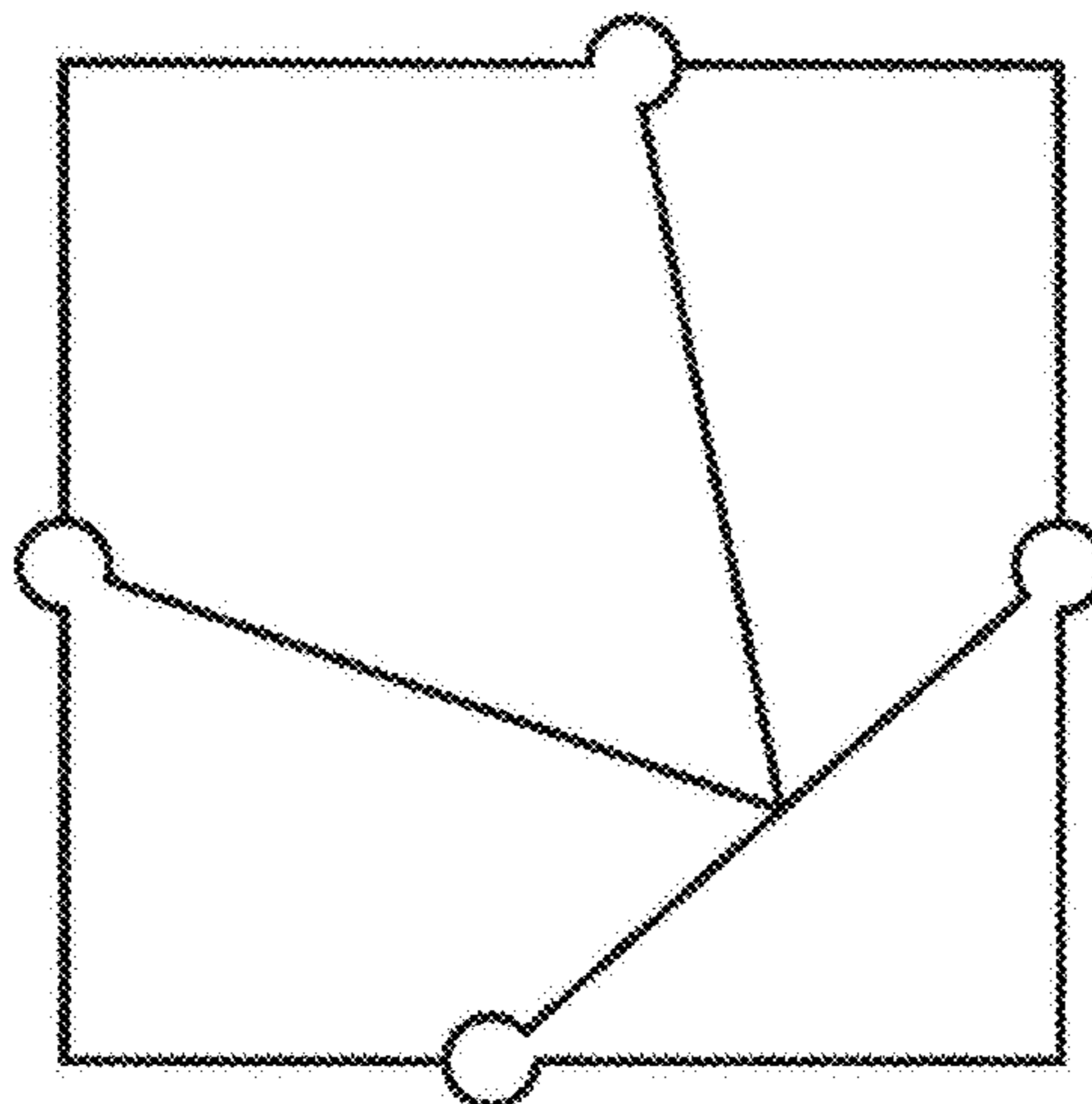
2.7: Perspective front view of triangle state

2.8: Side view of square state

2.9: Second perspective view of triangle state

Design 1: model of a geometrical rearrangement of faces between a square and an equilateral triangle; design 2:

(Continued)



model of a geometrical rearrangement of faces between a square and an equilateral triangle.

**1 Claim, 18 Drawing Sheets**

**(58) Field of Classification Search**

CPC ..... A63F 2300/69; A63F 2300/8064; A63F  
2300/8094; A63F 3/00097; A63F  
3/00176; A63F 3/00697; A63F 3/0423;  
A63F 3/081; A63F 7/04; A63F 9/0073;  
A63F 9/0098; A63F 9/0666; A63F  
9/0857; A63F 9/1044; A63F 9/12; A63F  
9/18; A63F 9/24

See application file for complete search history.

**(56) References Cited**

U.S. PATENT DOCUMENTS

D636,023	S	*	4/2011	Krause	.....	D19/59
D699,297	S	*	2/2014	Bahsoun	.....	D14/447
D707,292	S	*	6/2014	Krause	.....	D19/59
D707,753	S	*	6/2014	Krause	.....	D19/59
D847,269	S	*	4/2019	Leung	.....	D21/470
D861,069	S	*	9/2019	Flores	.....	D19/59

\* cited by examiner

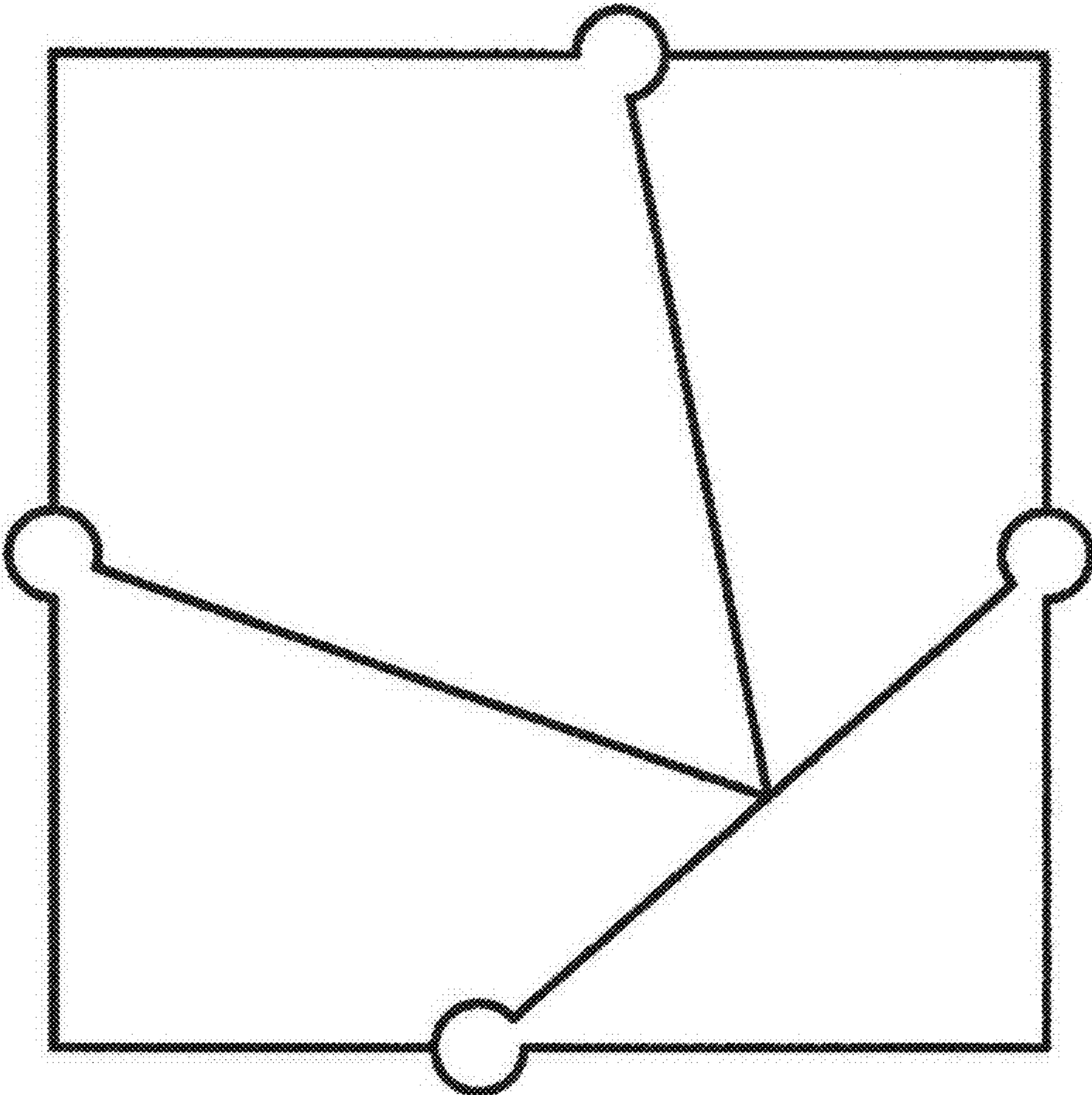


FIG. 1.1

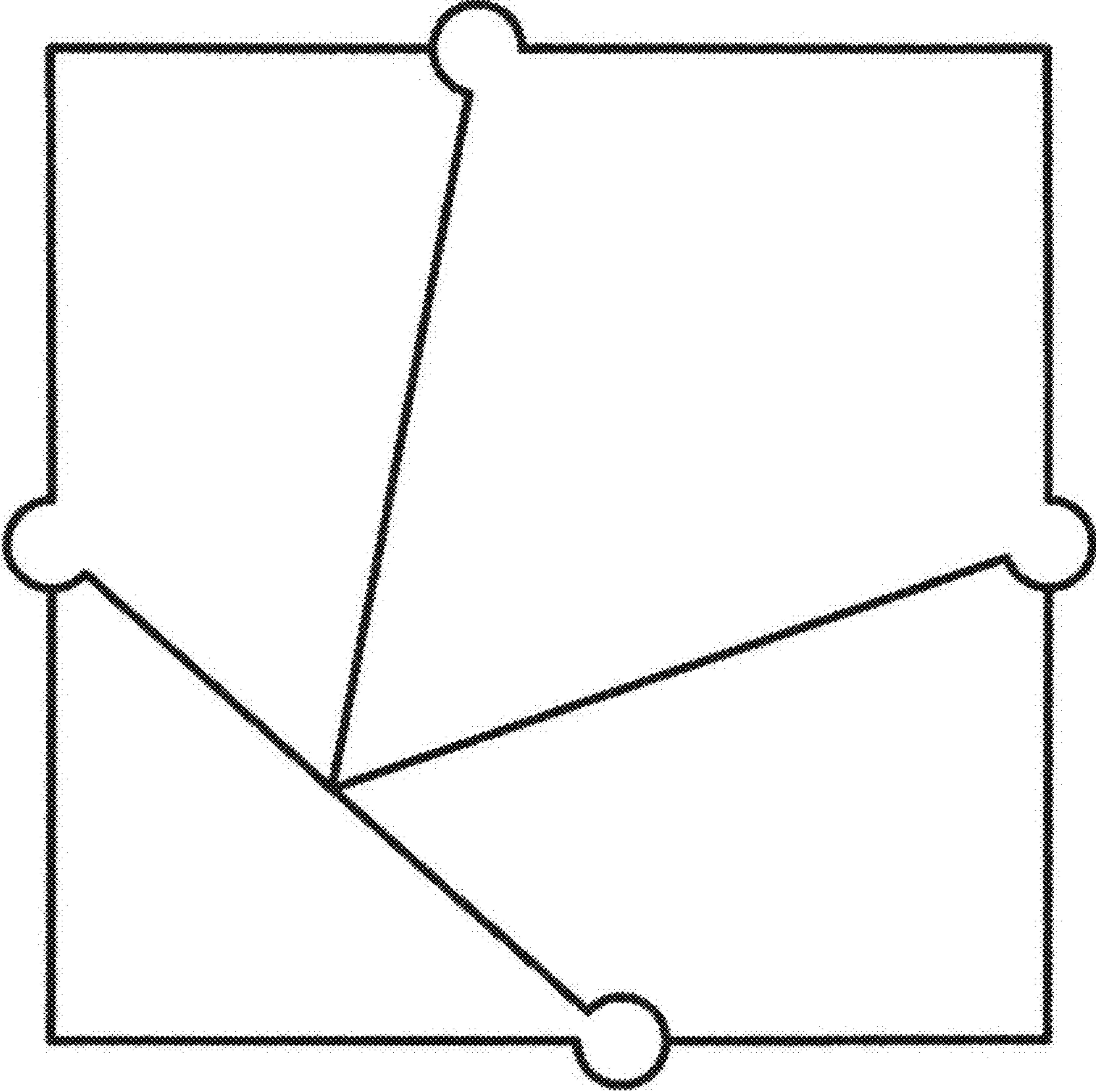


FIG. 1.2

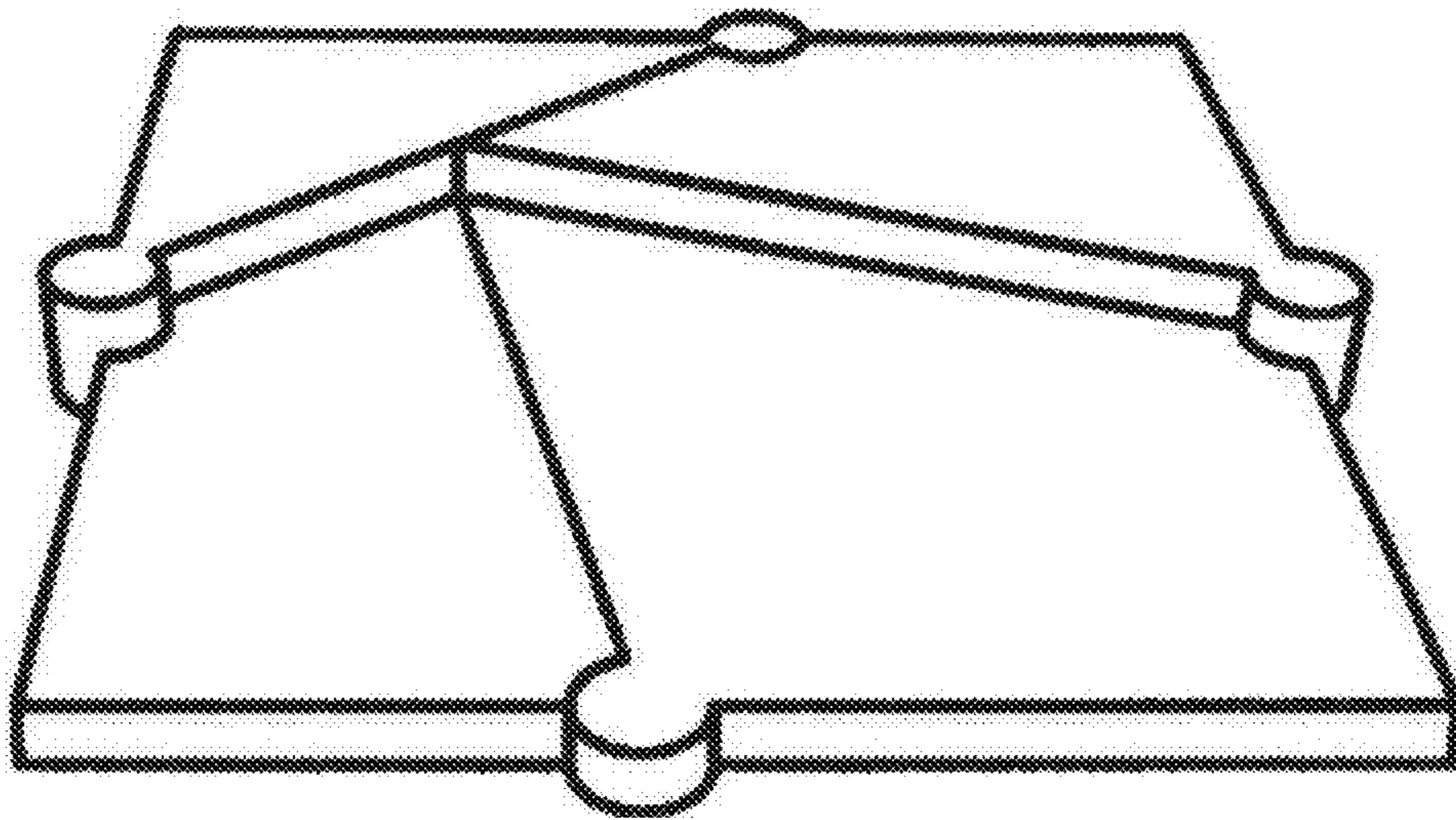


FIG. 1.3

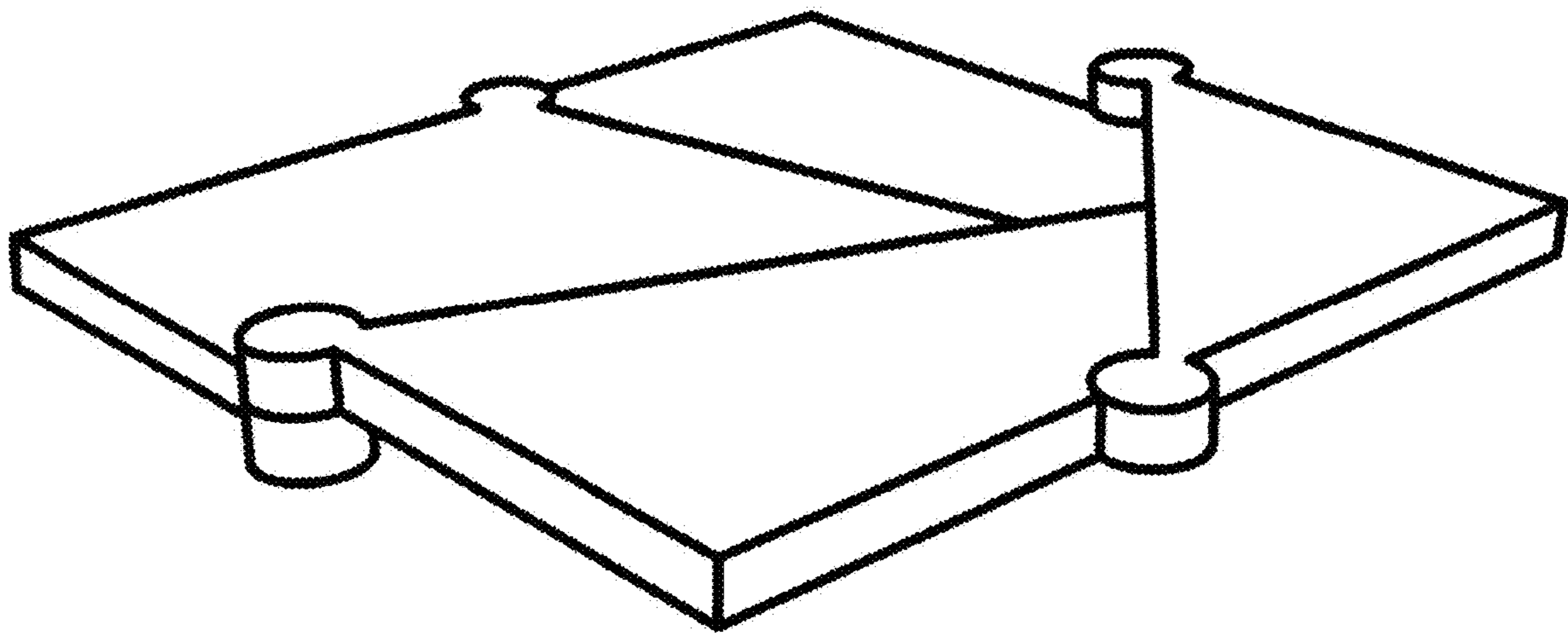


FIG. 1.4

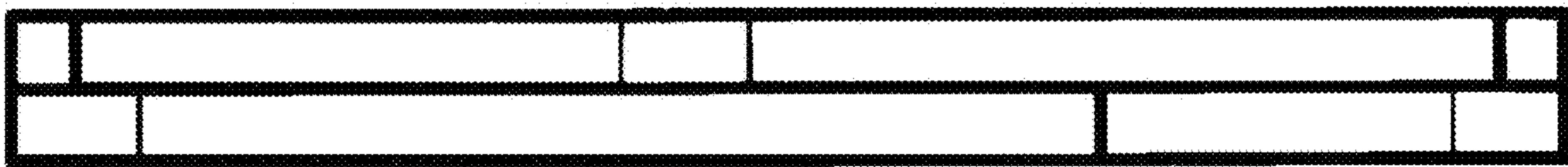


FIG. 1.5

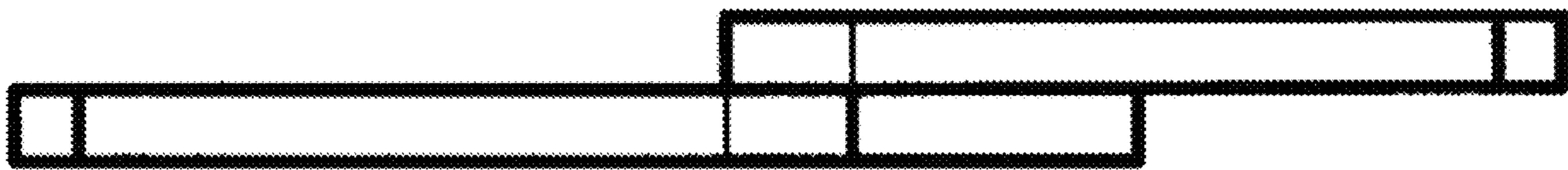


FIG. 1.6



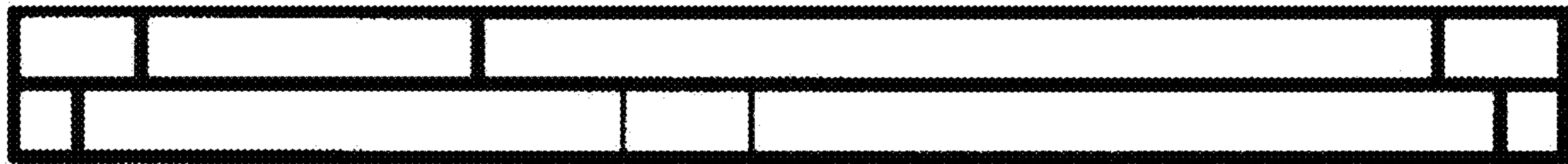


FIG. 1.7

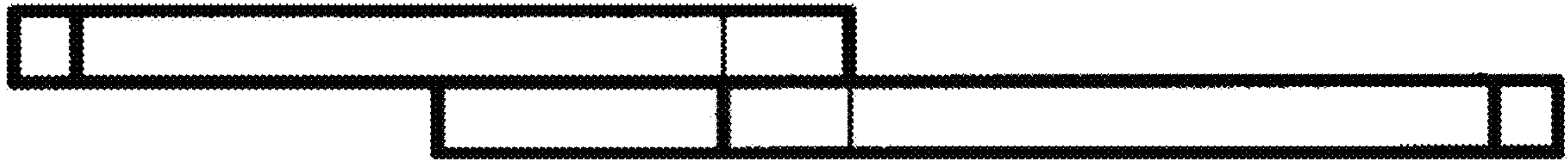


FIG. 1.8

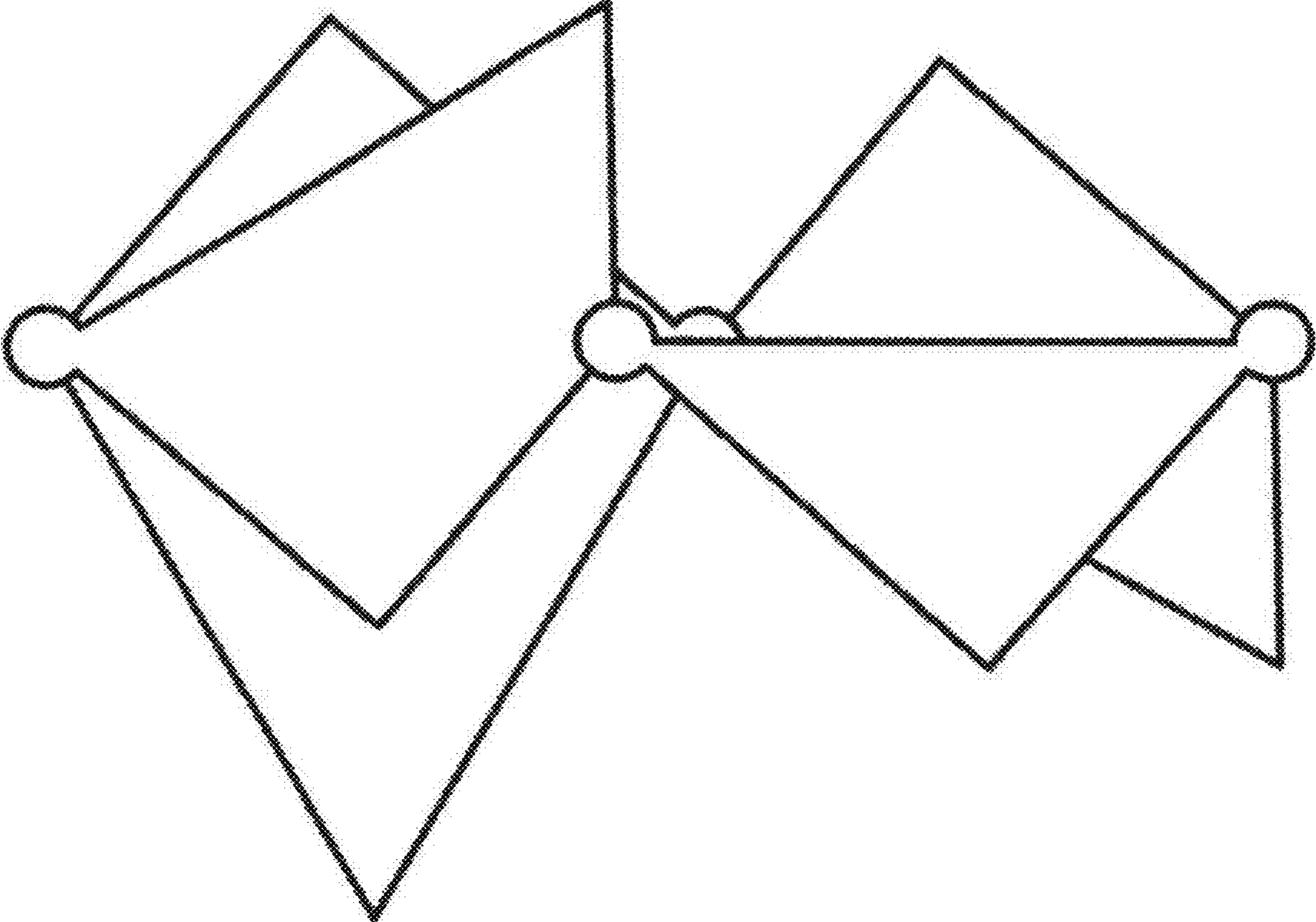


FIG. 1.9

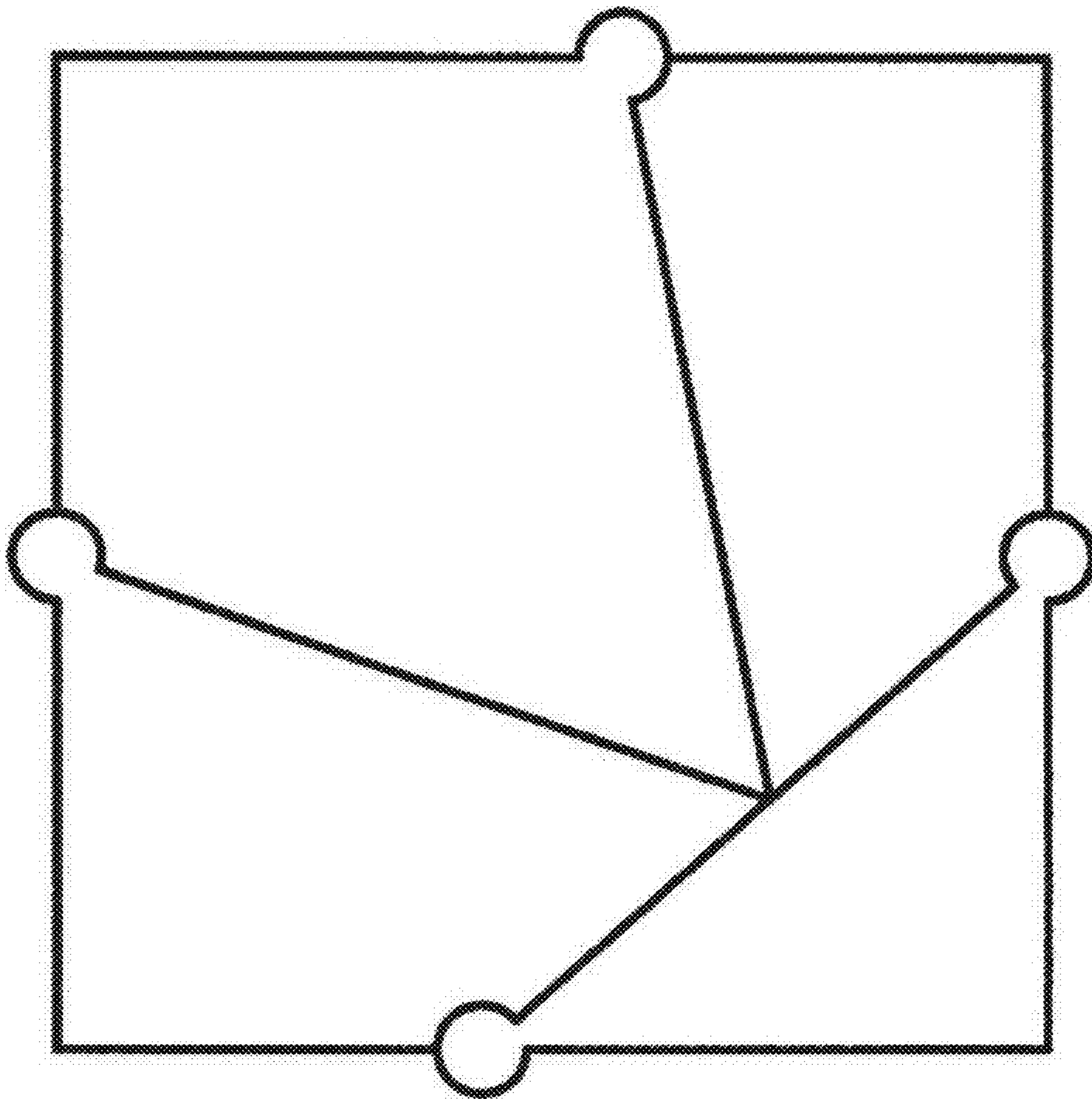


FIG. 2.1

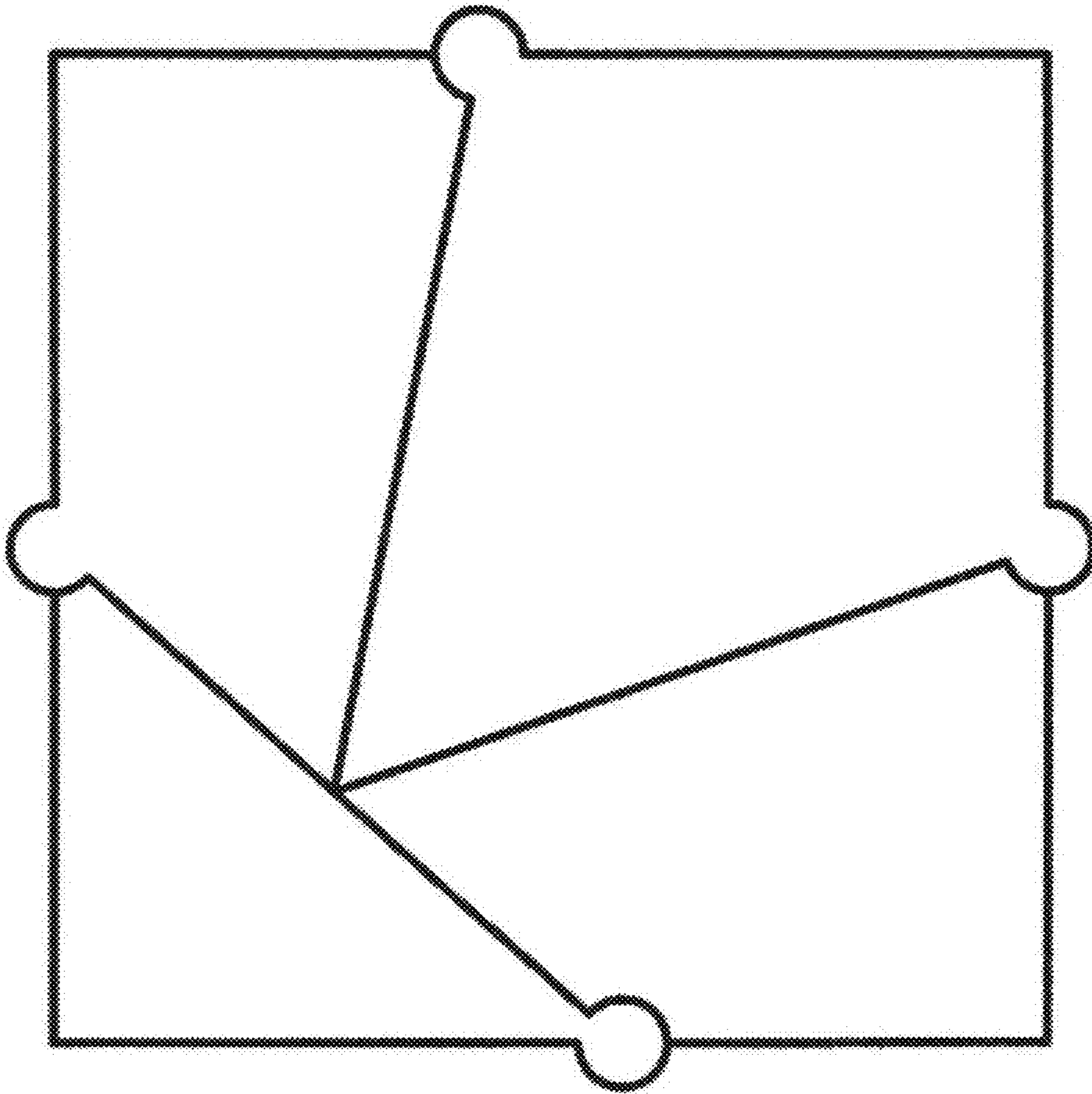


FIG. 2.2

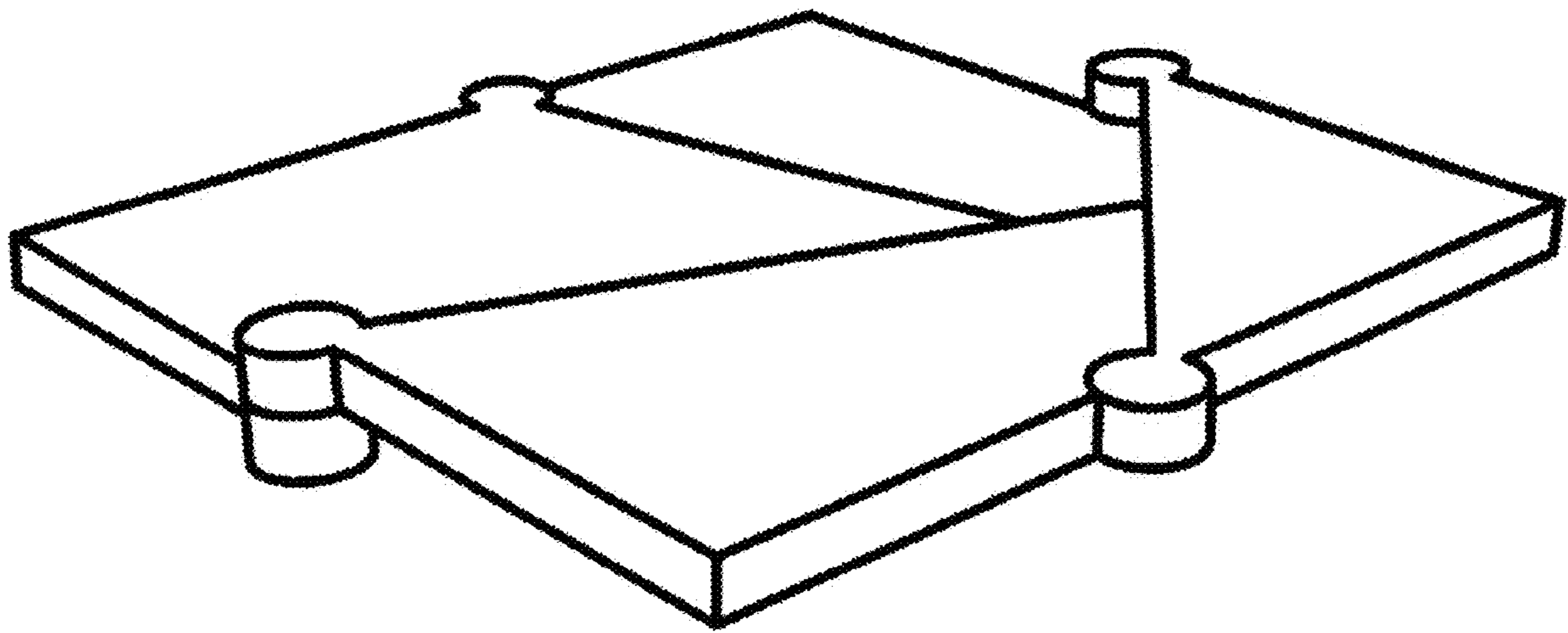


FIG. 2.3

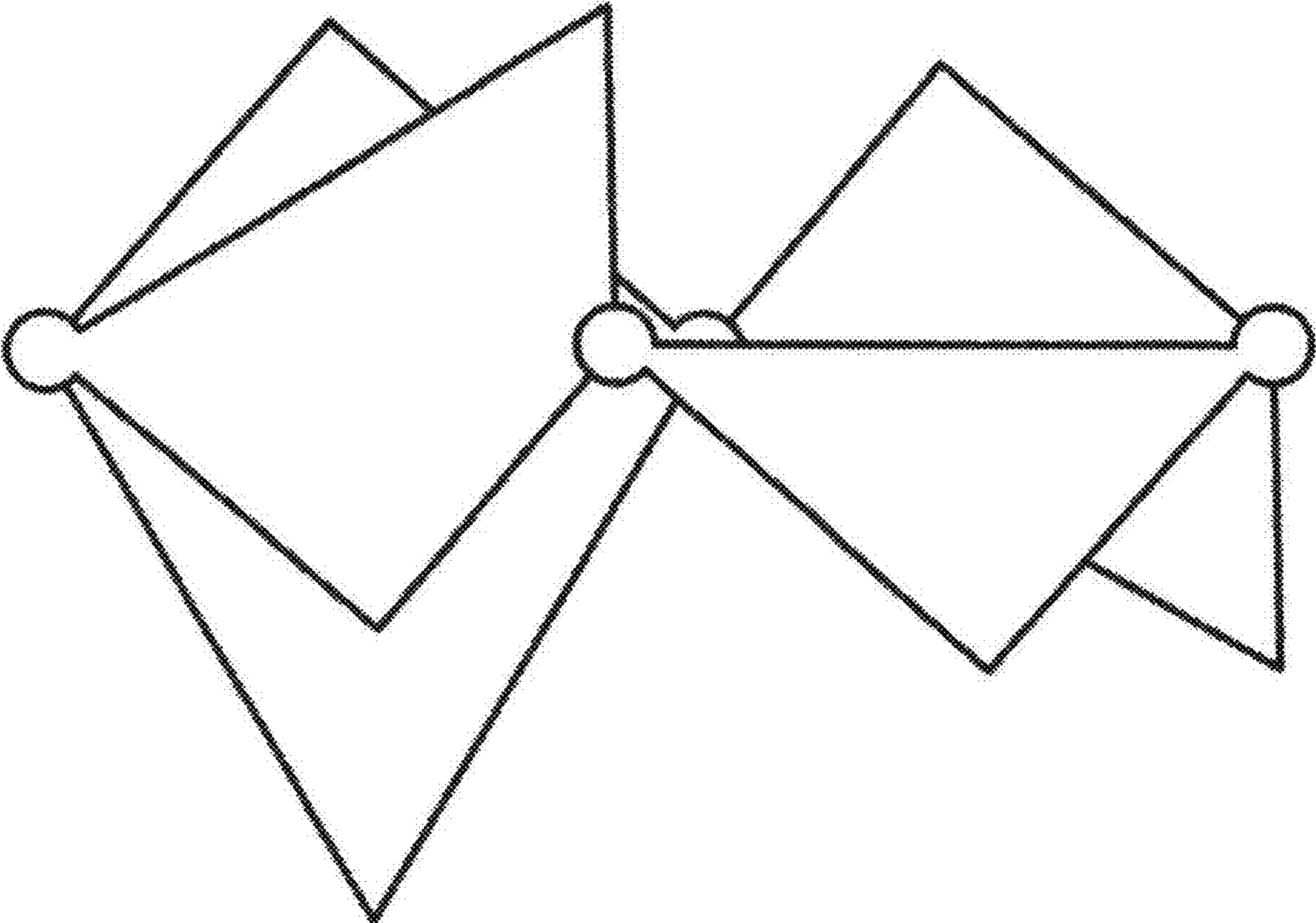


FIG. 2.4

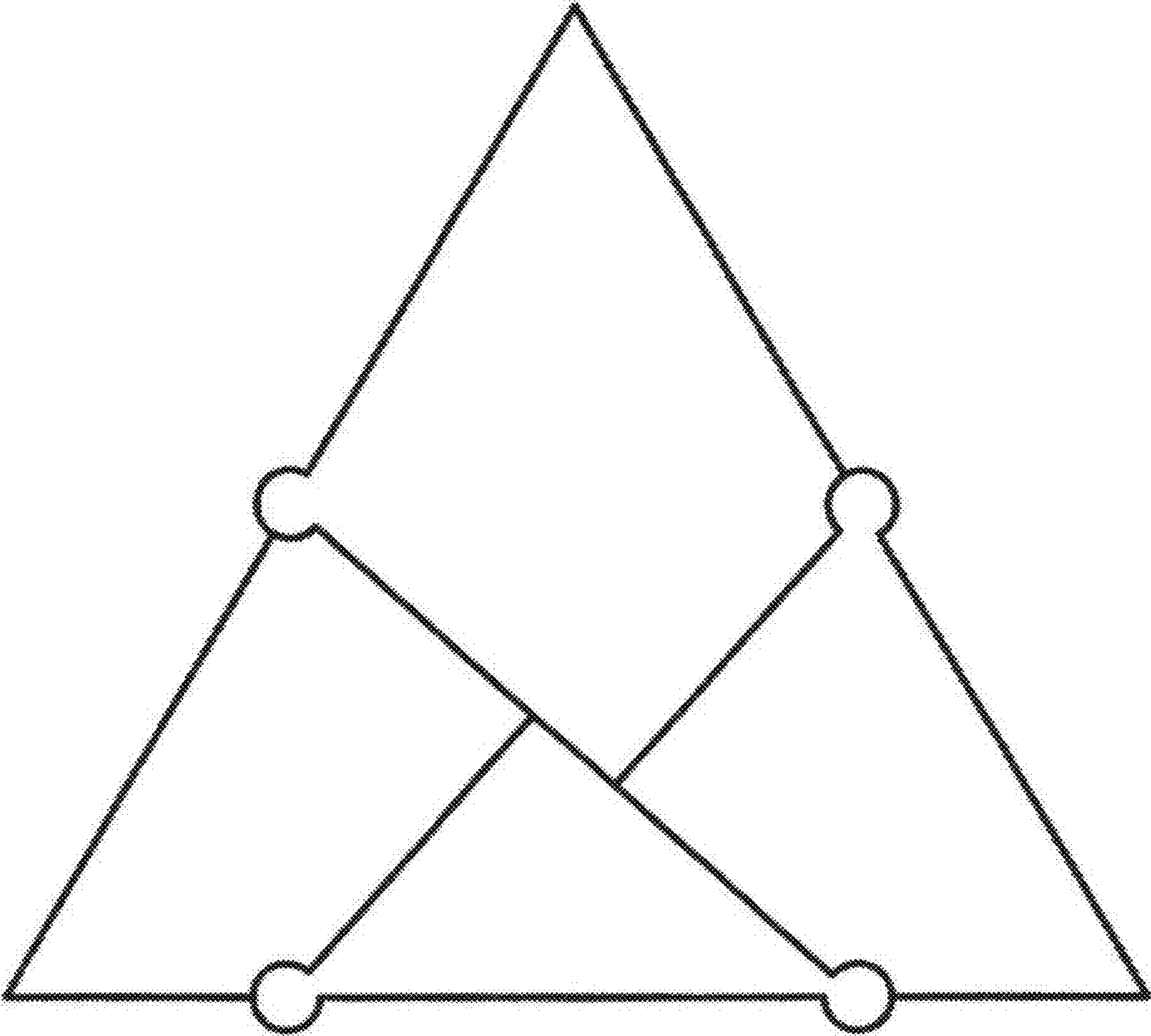


FIG. 2.5



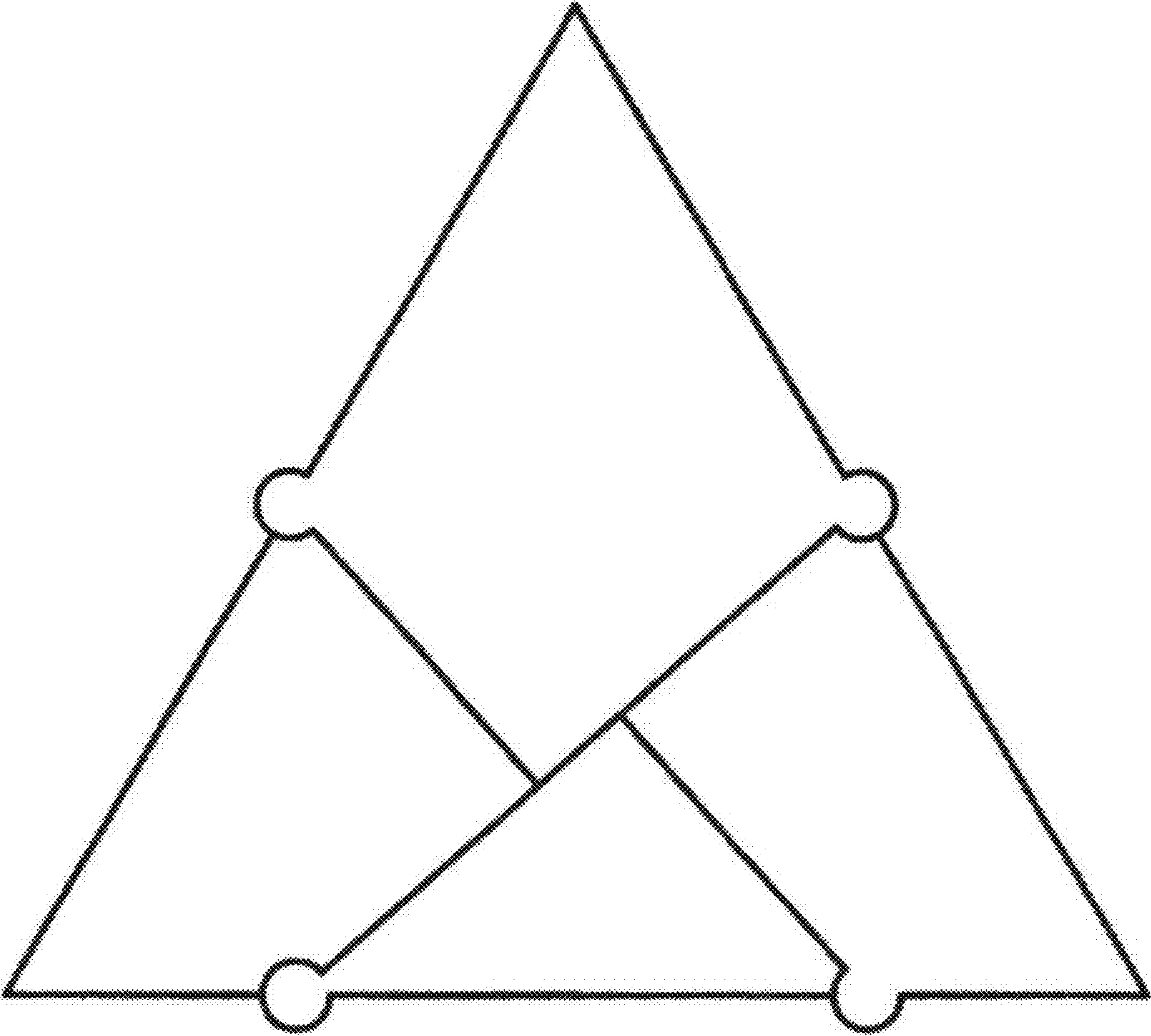


FIG. 2.6

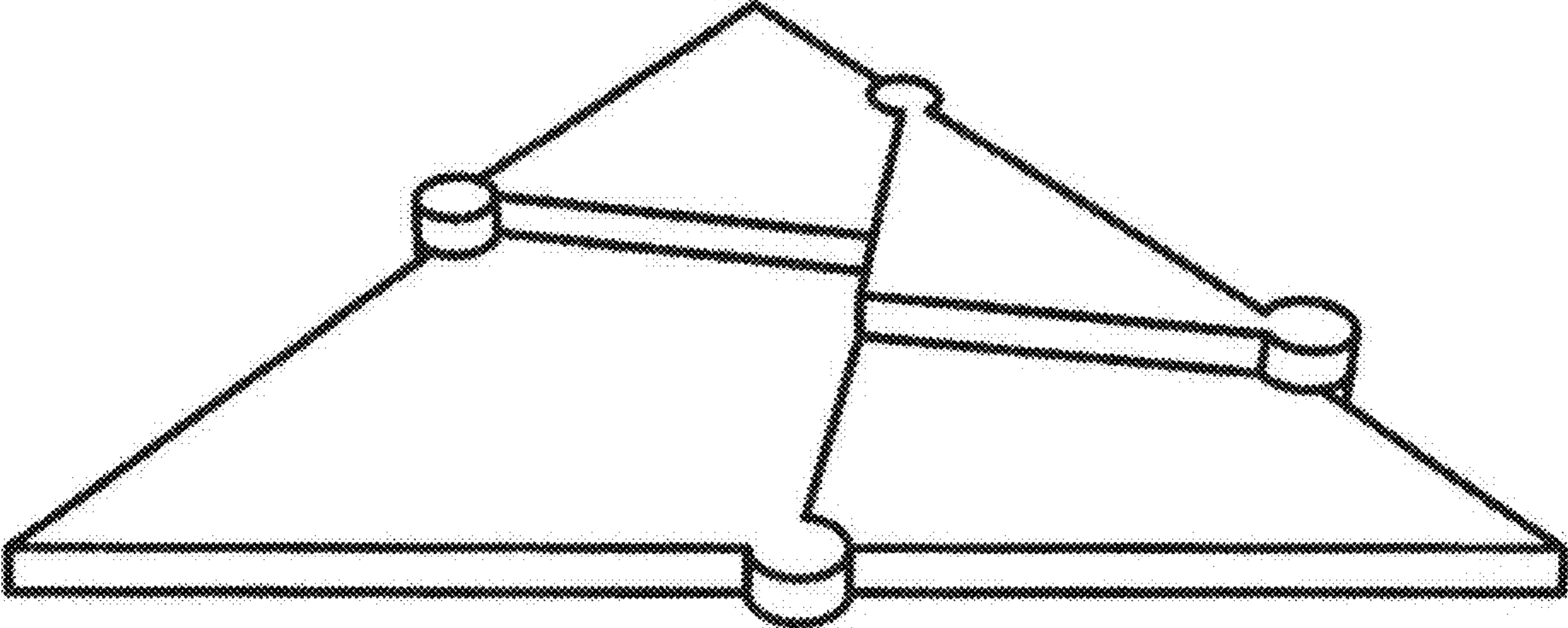


FIG. 2.7



FIG. 2.8

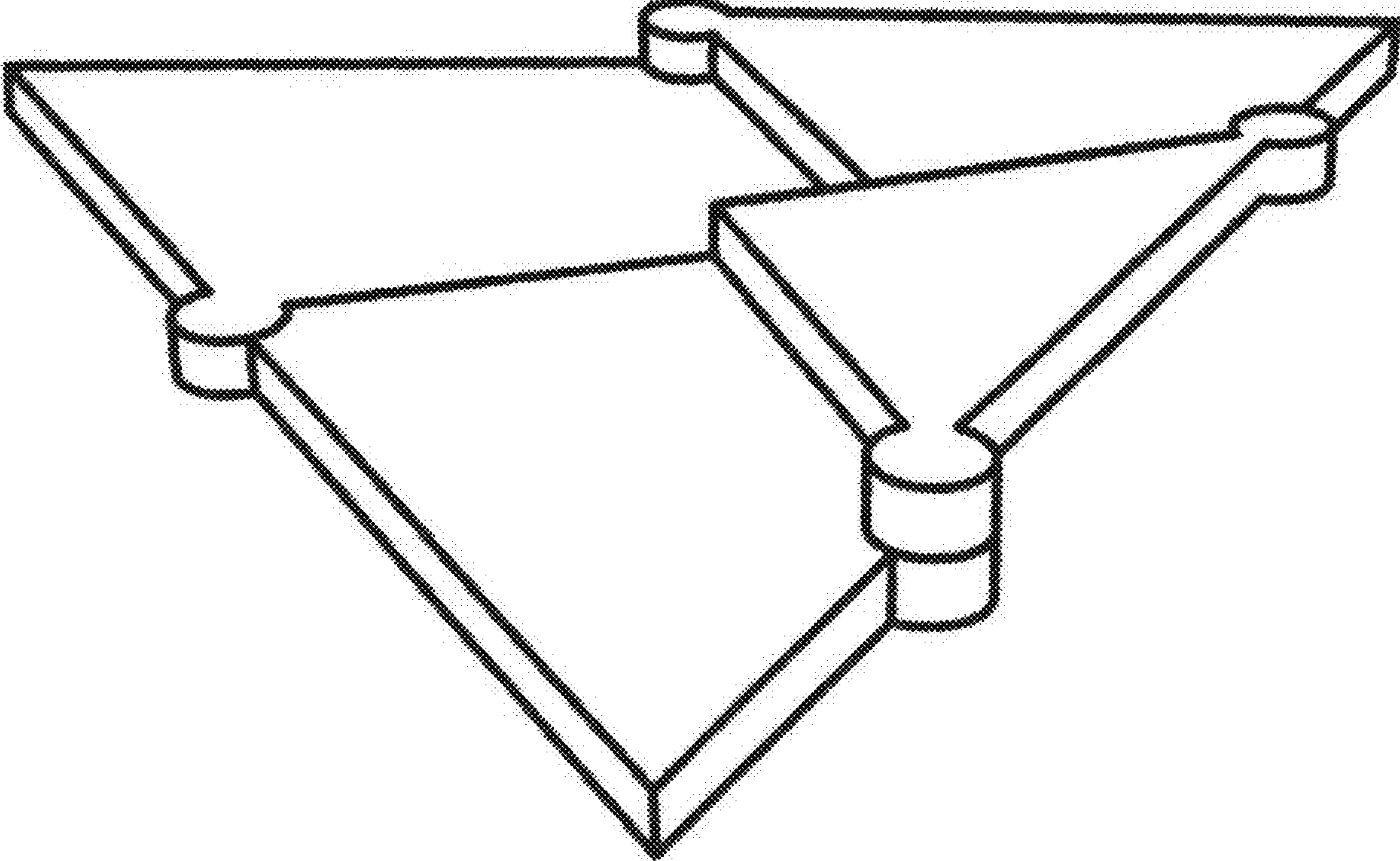


FIG. 2.9