



US00D884783S

(12) **United States Design Patent** (10) **Patent No.:** **US D884,783 S**
Jia (45) **Date of Patent:** **** May 19, 2020**

(54) **PEDALBOARD FOR EFFECTS UNIT**

(71) Applicant: **SWIFF TECHNOLOGY CO., LTD.**,
Shenzhen, Guangdong (CN)

(72) Inventor: **He Jia**, Guangdong (CN)

(**) Term: **15 Years**

(21) Appl. No.: **29/636,056**

(22) Filed: **Feb. 6, 2018**

(51) **LOC (12) Cl.** **17-99**

(52) **U.S. Cl.**

USPC **D17/99**; D17/20

(58) **Field of Classification Search**

USPC D17/20, 21, 99, 24, 9; D13/158, 162,
D13/167, 160, 162.1, 163, 164, 184, 199;
D14/217, 259, 238.1, 203.1, 168, 154,
D14/496

CPC G10H 2210/231; G10H 2210/265; G10H
2220/071; G10H 2220/265; G10H 1/02;
G10H 1/04; G10H 1/348; G10H 1/0091;
G10H 3/06

See application file for complete search history.

(56) **References Cited**

U.S. PATENT DOCUMENTS

D339,806 S *	9/1993	Grinkus	D14/217
D424,056 S *	5/2000	Ito	D14/162
D495,336 S *	8/2004	Andre	D14/434
D555,148 S *	11/2007	Mittersinker	D14/217
D809,484 S *	2/2018	Shi	D14/217
2017/0124997 A1 *	5/2017	Blaschke	G10H 1/0058

OTHER PUBLICATIONS

Amazon, Digitech FS3X Foot Controller, posted Apr. 16, 2007, [online], [visited Aug. 16, 2019]. Internet, URL: https://www.amazon.co.uk/DigiTech-FS3X-Foot-Controller-Digitech/dp/B000K69UM8/ref=olp_product_details?_encoding=UTF8&me= (Year: 2007).*

Amazon, Marshall PEDL90008 Footswitch, posted Nov. 1, 2007, [online], [visited Aug. 16, 2019]. Inetner, URL: https://www.amazon.co.uk/Marshall-PEDL-90008-PEDL90008-4-Way-Footswitch/dp/B0028LDR68/ref=olp_product_details?_encoding=UTF8&me= (Year: 2007).*

* cited by examiner

Primary Examiner — Sheryl Lane

Assistant Examiner — Samantha N Wood

(74) *Attorney, Agent, or Firm* — ZANIP

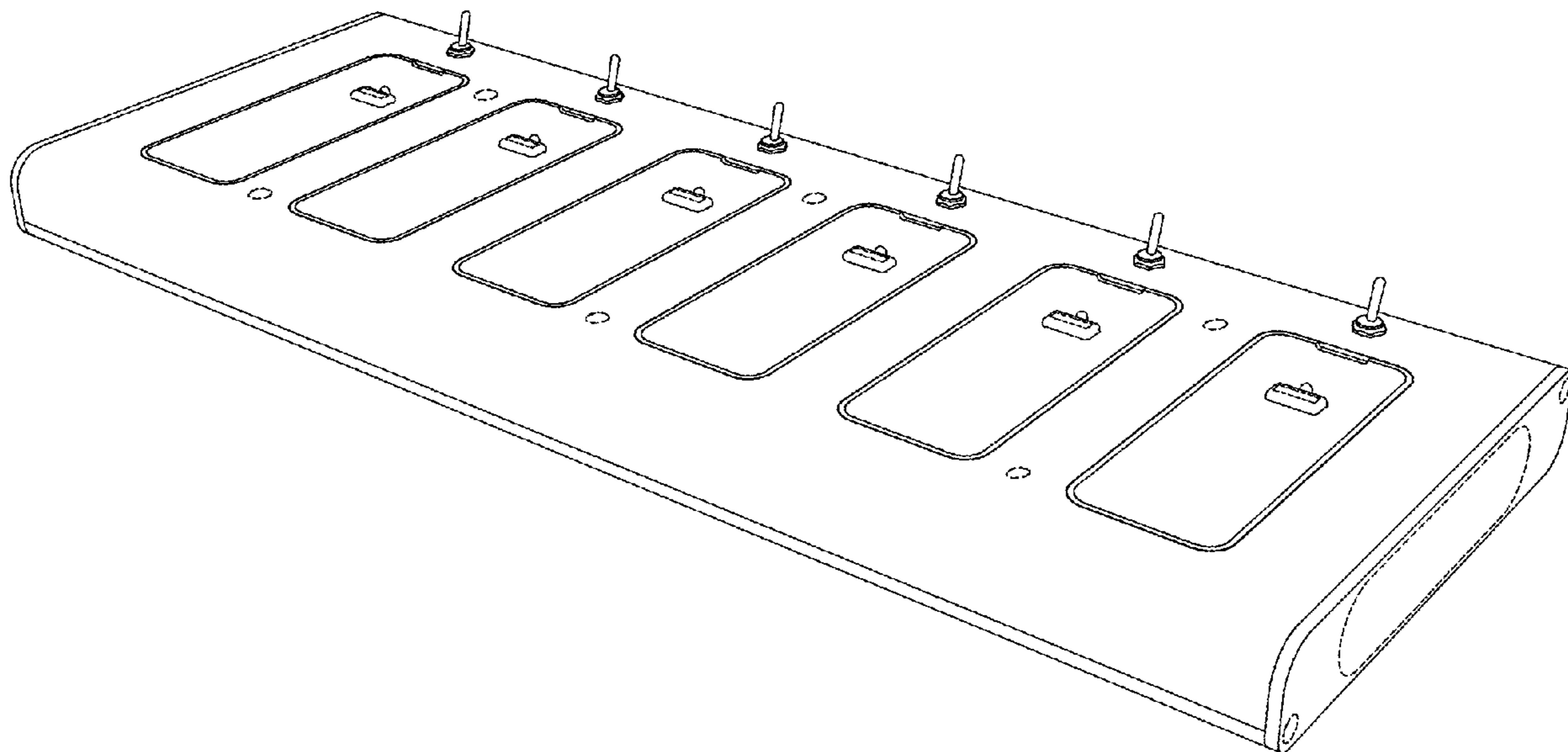
(57) **CLAIM**

The ornamental design for a pedalboard for effects unit, as shown and described.

DESCRIPTION

FIG. 1 is a front elevational view of a pedalboard for effects unit showing my new design;
FIG. 2 is a rear elevational view thereof;
FIG. 3 is a left side view thereof;
FIG. 4 is a right side view thereof;
FIG. 5 is a top plan view thereof;
FIG. 6 is a bottom plan view thereof;
FIG. 7 is a first perspective view thereof; and,
FIG. 8 is a second perspective view thereof.
The broken lines in the drawings illustrate portions of the pedalboard for effects unit which form no part of the claimed design.

1 Claim, 8 Drawing Sheets



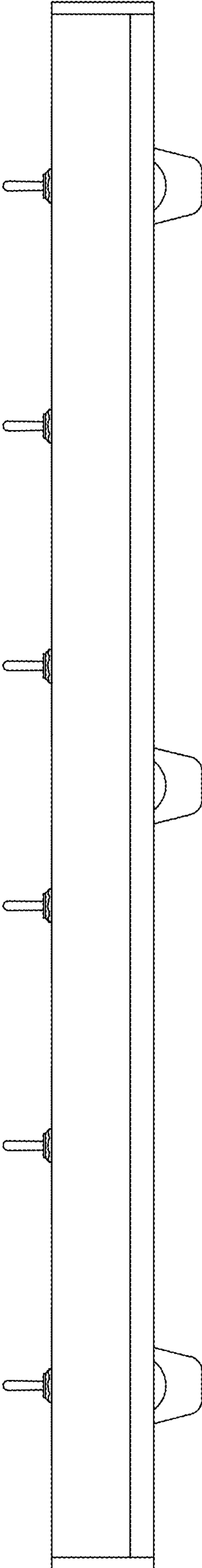


FIG. 1

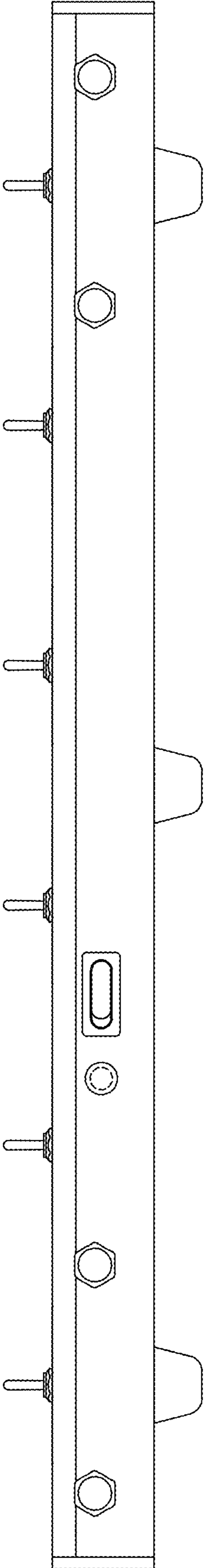


FIG. 2

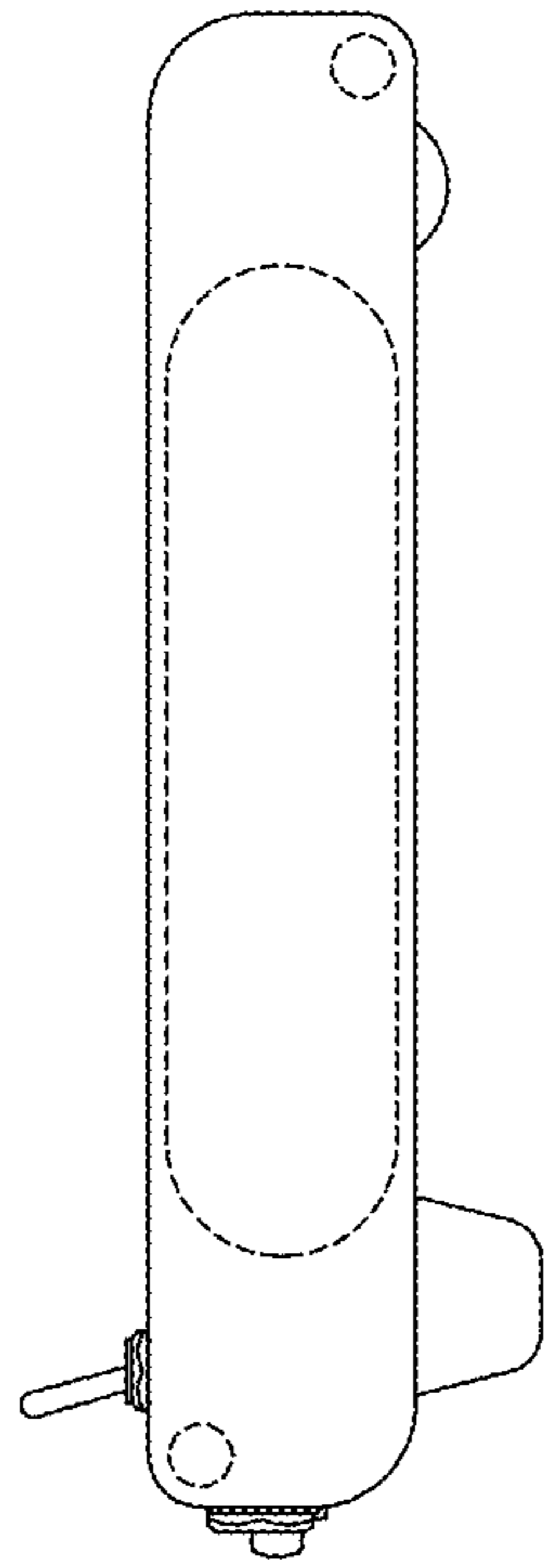


FIG. 3

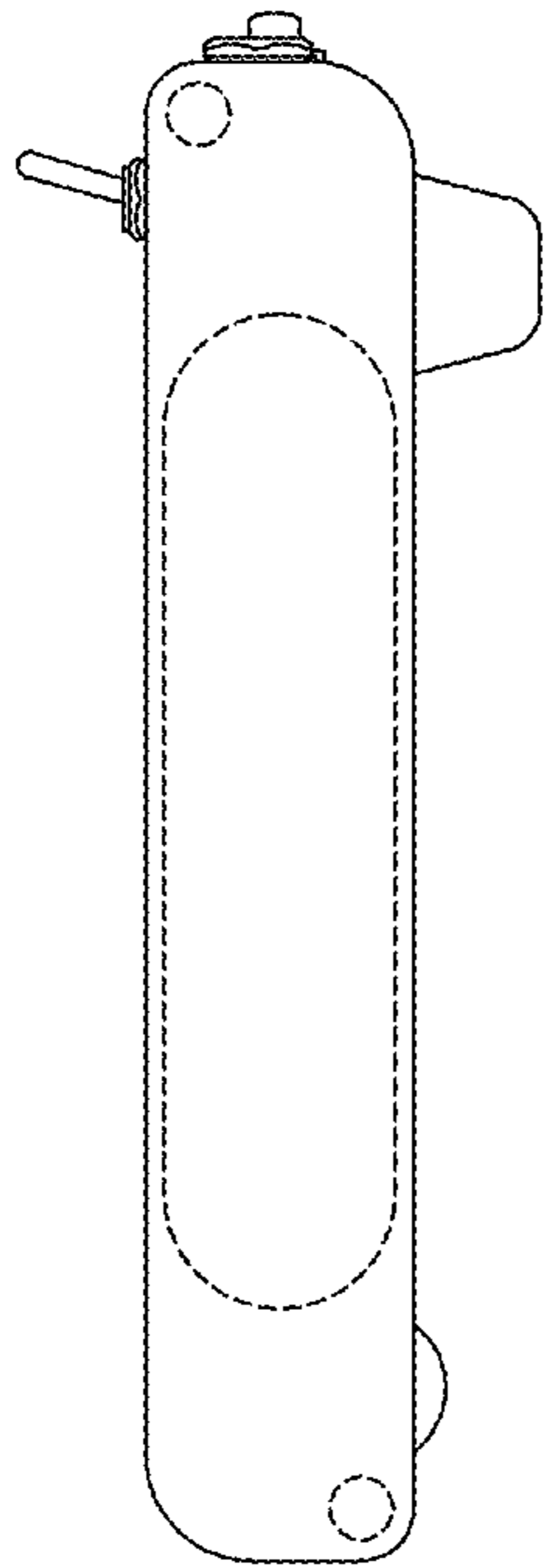


FIG. 4

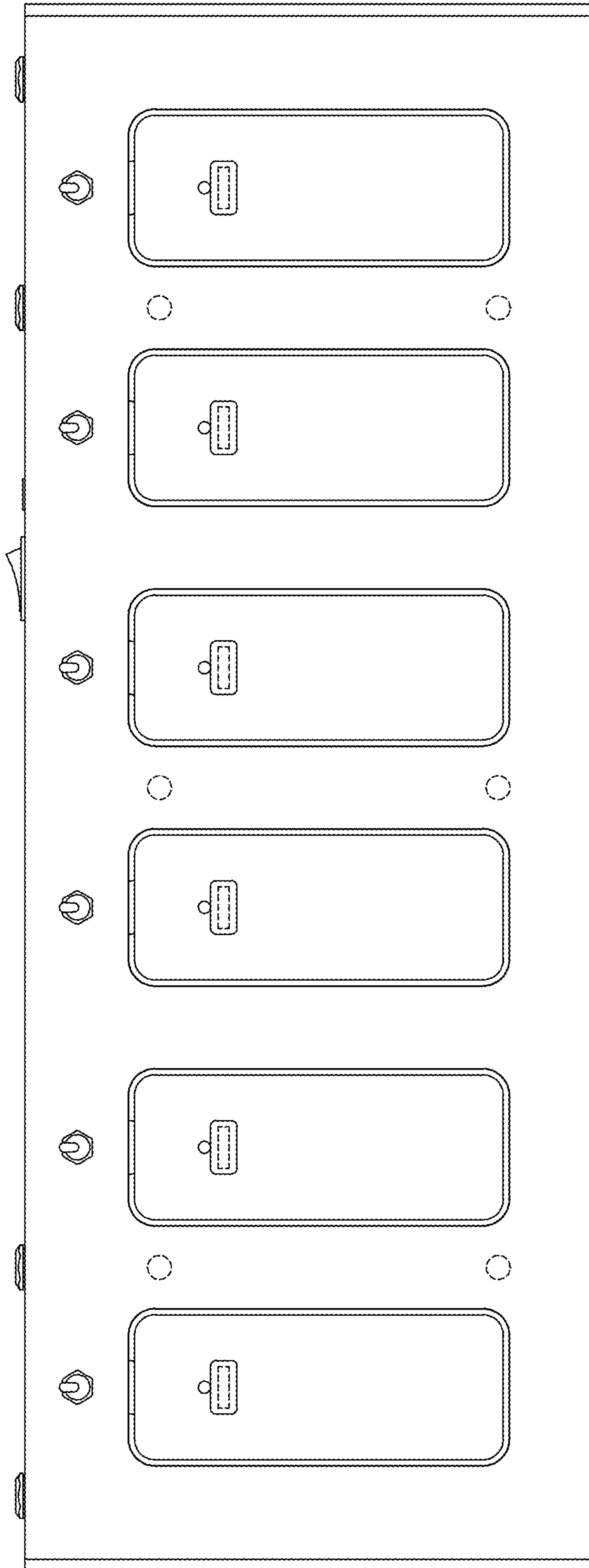


FIG. 5

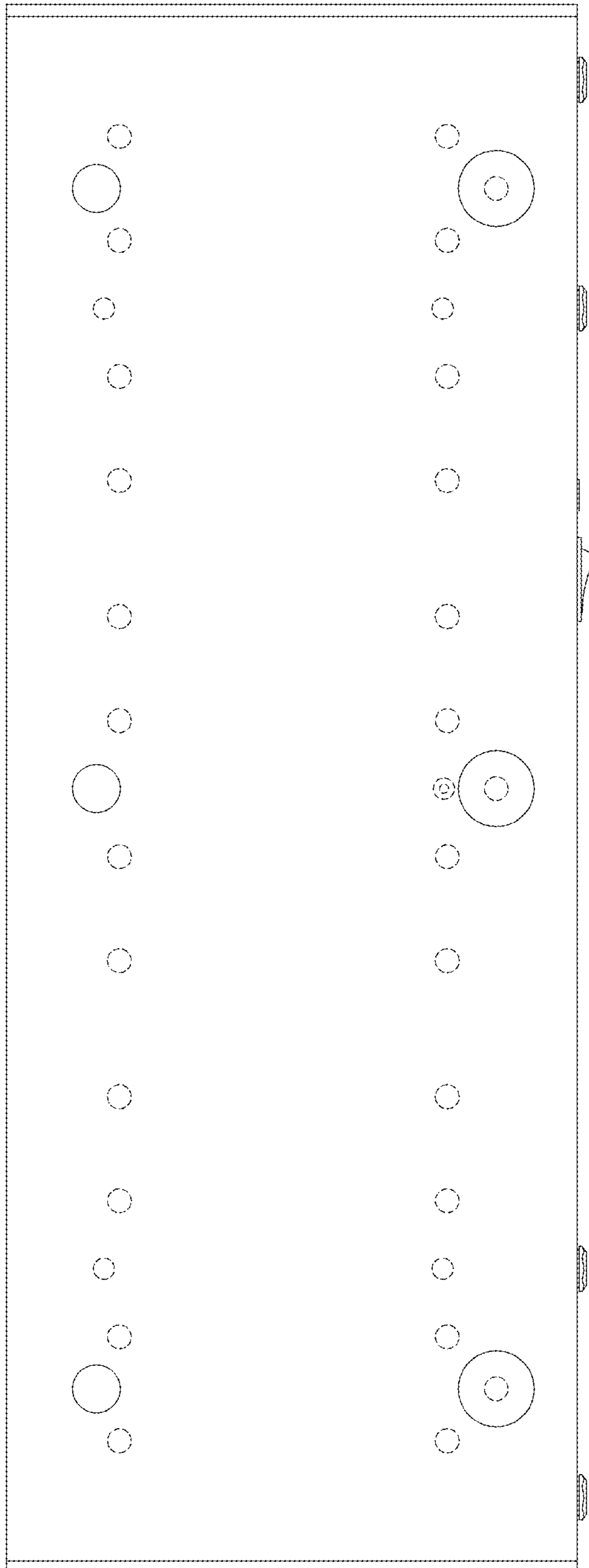


FIG. 6

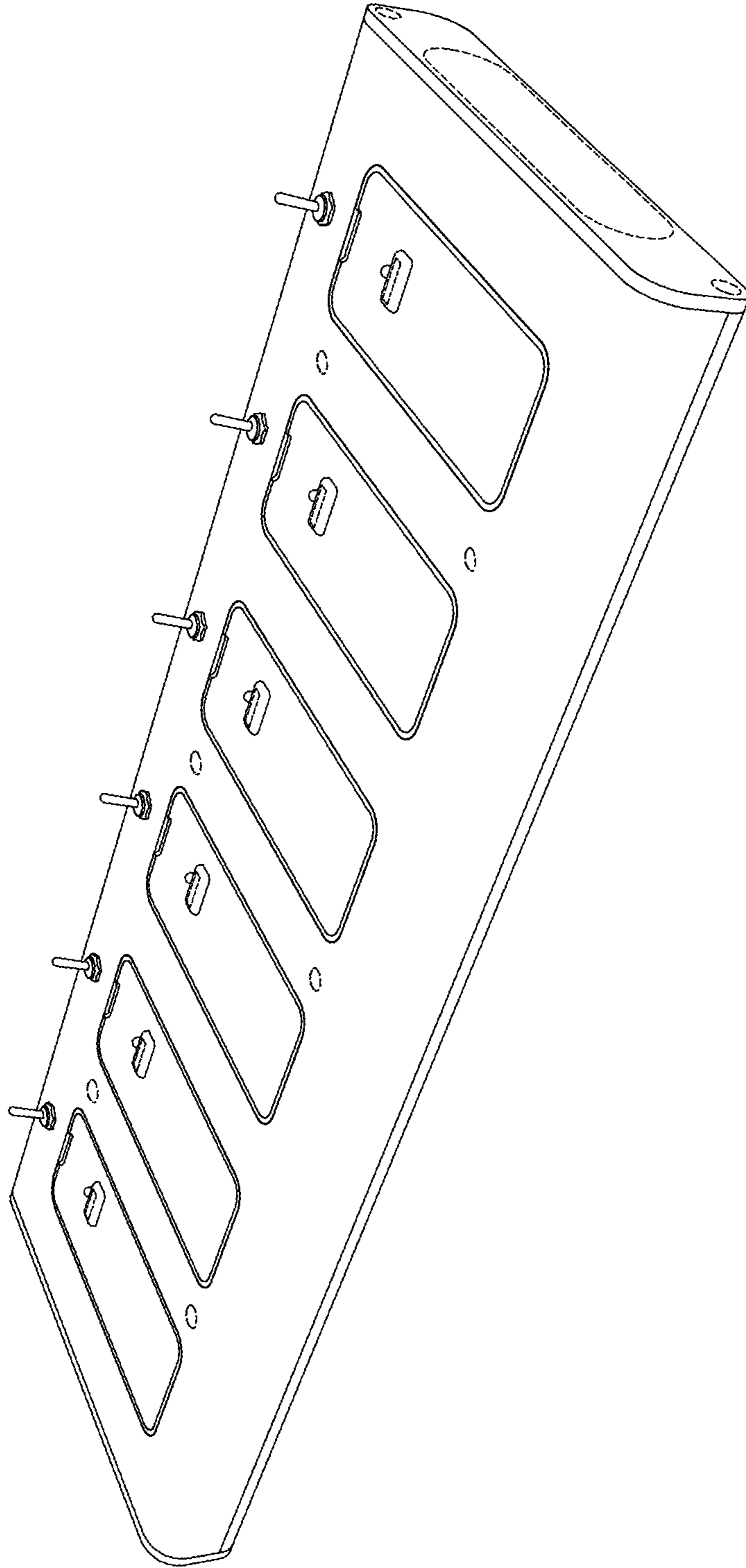


FIG. 7

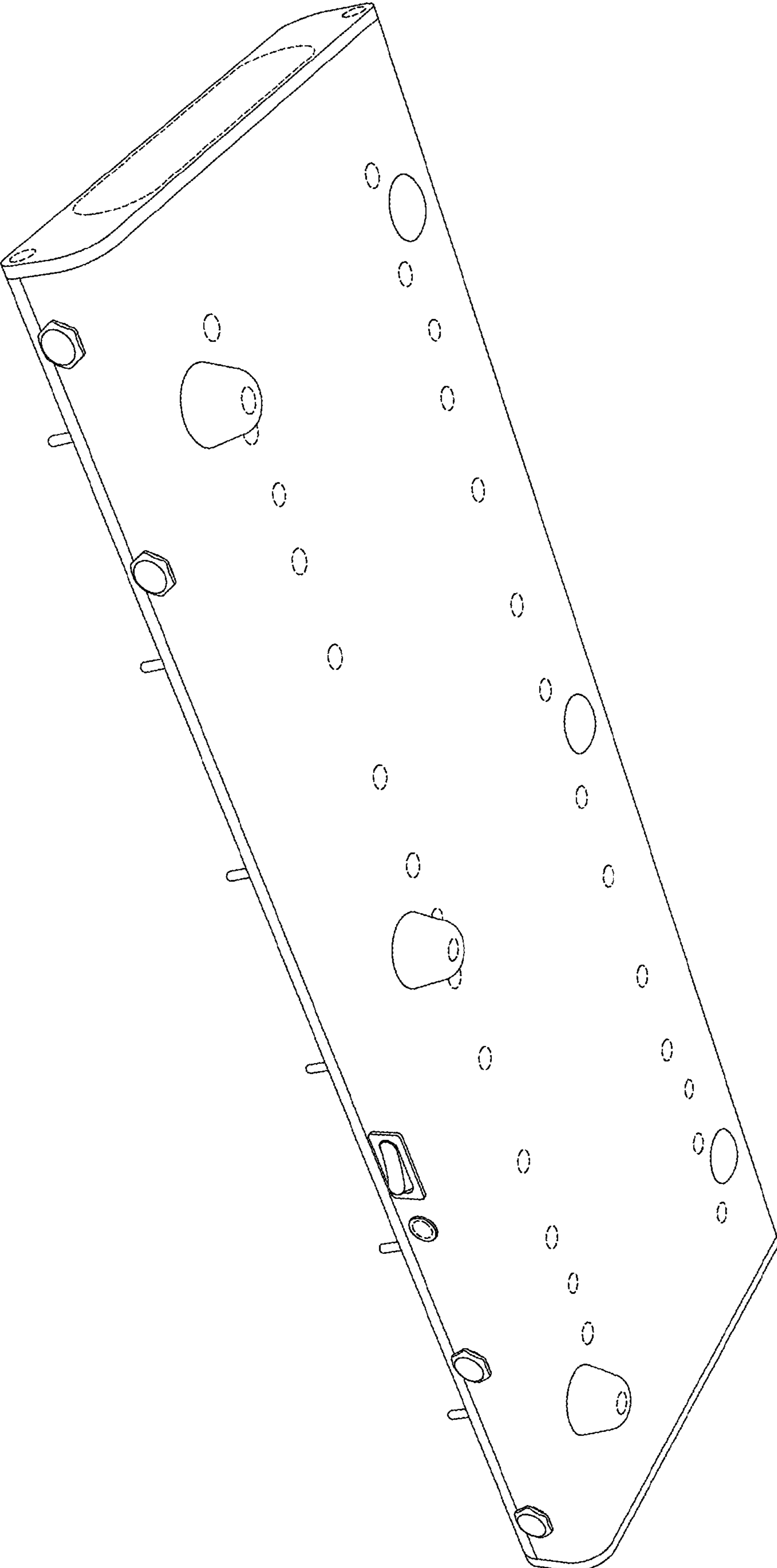


FIG. 8