



US00D884782S

(12) **United States Design Patent**
Sawada et al.

(10) **Patent No.:** **US D884,782 S**

(45) **Date of Patent:** **** May 19, 2020**

(54) **ELECTRONIC PERCUSSION INSTRUMENT**

(71) Applicant: **Roland Corporation**, Shizuoka (JP)

(72) Inventors: **Shigeru Sawada**, Shizuoka (JP);
Hiroataka Koga, Shizuoka (JP)

(73) Assignee: **Roland Corporation**, Shizuoka (JP)

(**) Term: **15 Years**

(21) Appl. No.: **29/663,917**

(22) Filed: **Sep. 20, 2018**

Related U.S. Application Data

(62) Division of application No. 29/624,427, filed on Nov. 1, 2017, now Pat. No. Des. 837,874.

(30) **Foreign Application Priority Data**

May 10, 2017 (CN) 2017 3 0168783

(51) **LOC (12) Cl.** **17-04**

(52) **U.S. Cl.**
USPC **D17/22**

(58) **Field of Classification Search**
USPC D17/22, 23, 24, 99; D21/405, 300, 324,
D21/396, 398; D14/168, 218, 217, 214;
D13/167
CPC G10D 13/00; G10D 13/003; G10D 13/02;
G10D 13/026; G10D 13/027; G10D
13/029
See application file for complete search history.

(56) **References Cited**

U.S. PATENT DOCUMENTS

3,122,961 A * 3/1964 Gornston G10D 13/00
84/484
3,166,970 A * 1/1965 Ellman G10D 13/03
84/411 R

D313,997 S * 1/1991 Ito D14/218
D561,735 S * 2/2008 Nagura D14/168
D592,696 S * 5/2009 Gooday D17/20
D721,675 S * 1/2015 Hong D14/217
D741,298 S * 10/2015 Lintz D14/217
D837,874 S * 1/2019 Sawada D17/22

OTHER PUBLICATIONS

Amazon, Alesis Sample Pad, posted Jan. 19, 2012, [online], [visited Feb. 20, 2020]. Internet, <URL: https://www.amazon.co.uk/Alesis-Sample-Pad-Multi-Pad-Instrument-Pro-Color/dp/B006Z76XY4/ref=olp_product_details?ie=UTF8&me=> (Year: 2012).*

* cited by examiner

Primary Examiner — Sheryl Lane

Assistant Examiner — Samantha N Wood

(74) *Attorney, Agent, or Firm* — JCIPRNET

(57) **CLAIM**

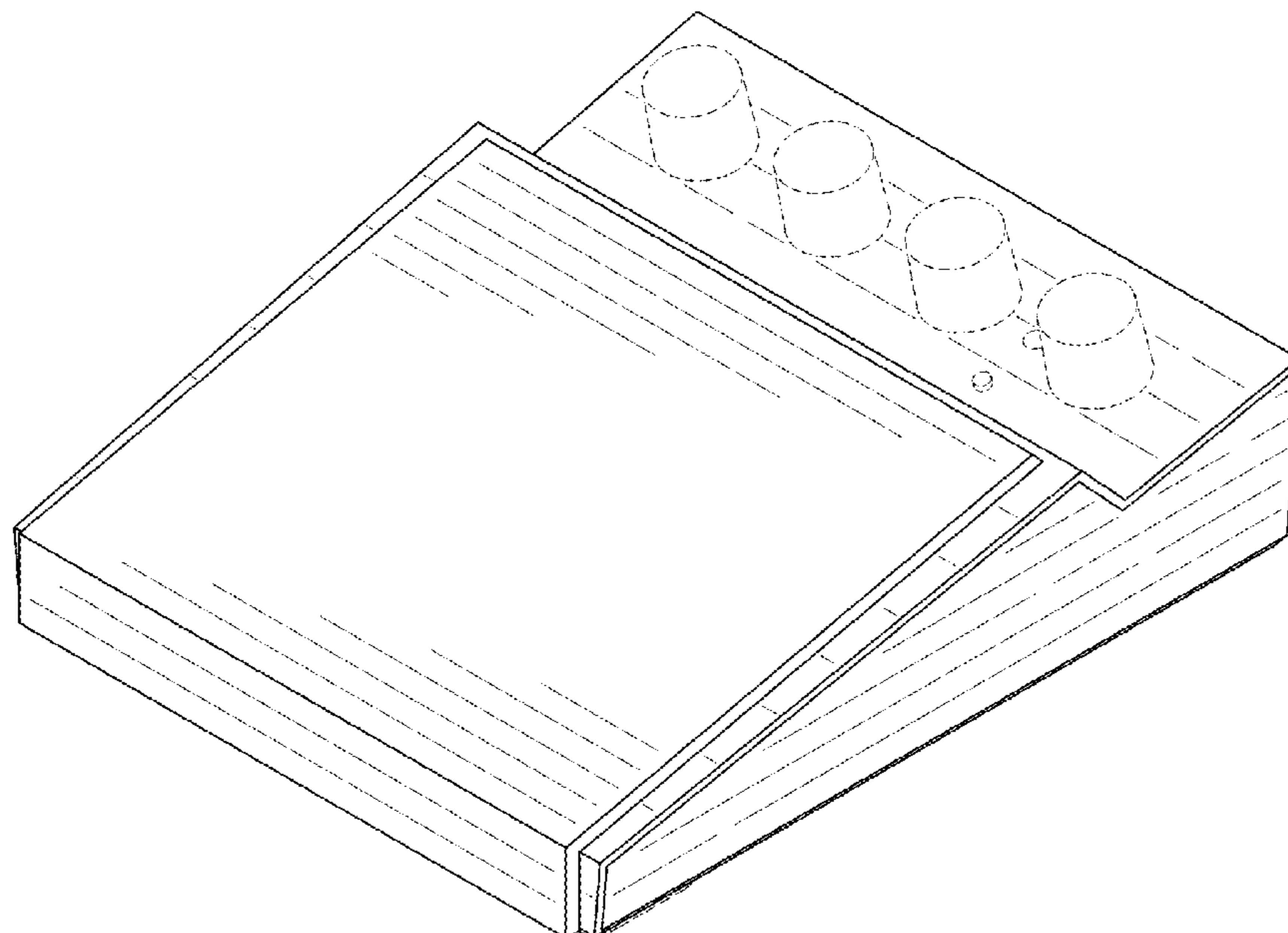
The ornamental design for an electronic percussion instrument, as shown and described.

DESCRIPTION

FIG. 1 is a perspective view of an electronic percussion instrument showing our new design;
FIG. 2 is a front view thereof;
FIG. 3 is a rear view thereof;
FIG. 4 is a left side view thereof;
FIG. 5 is a right side view thereof;
FIG. 6 is a top view thereof; and,
FIG. 7 is a bottom view thereof.

The broken lines in the drawings illustrate the portions of the electronic percussion instrument and form no part of the claimed design.

1 Claim, 5 Drawing Sheets



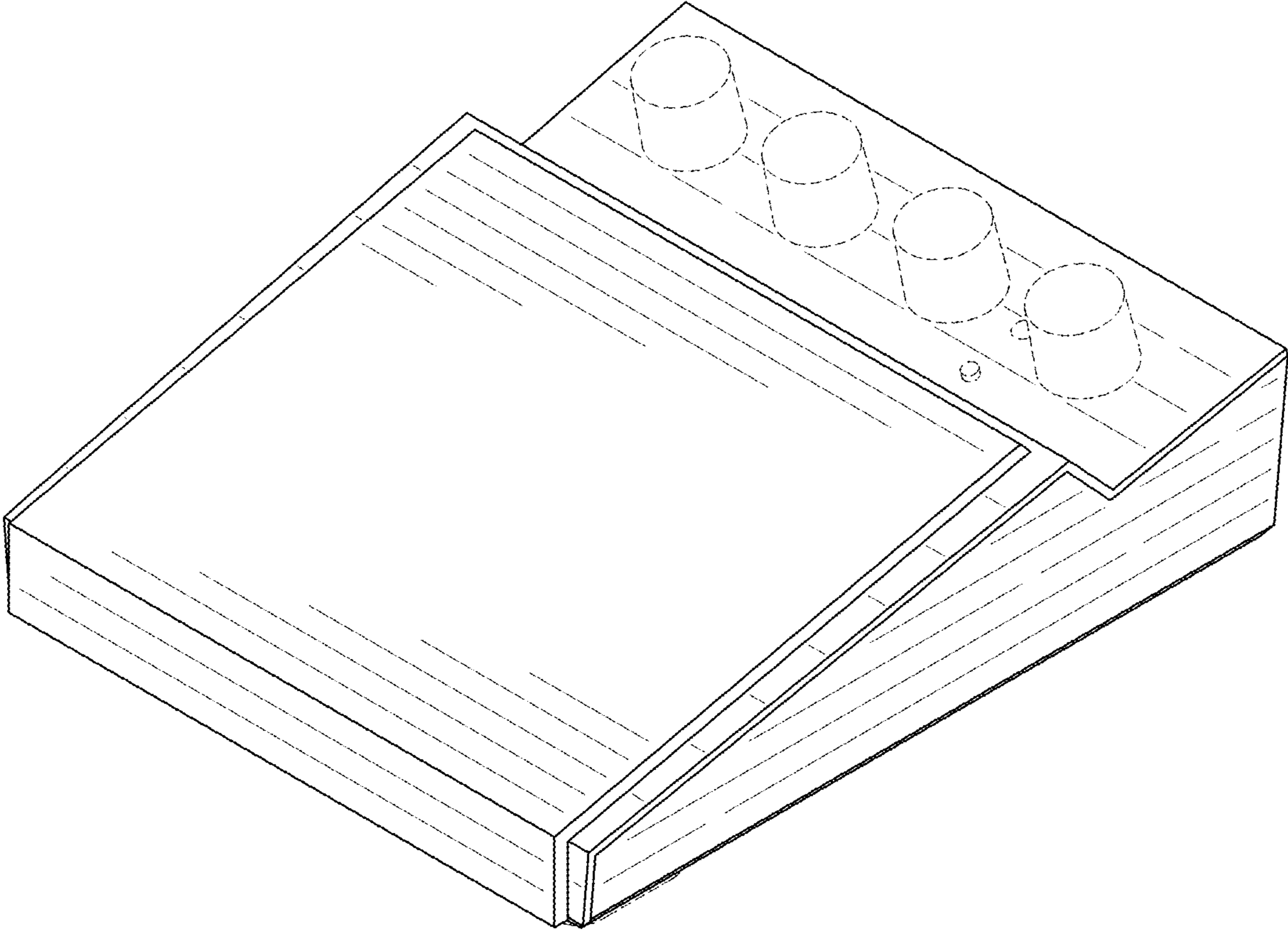


FIG. 1

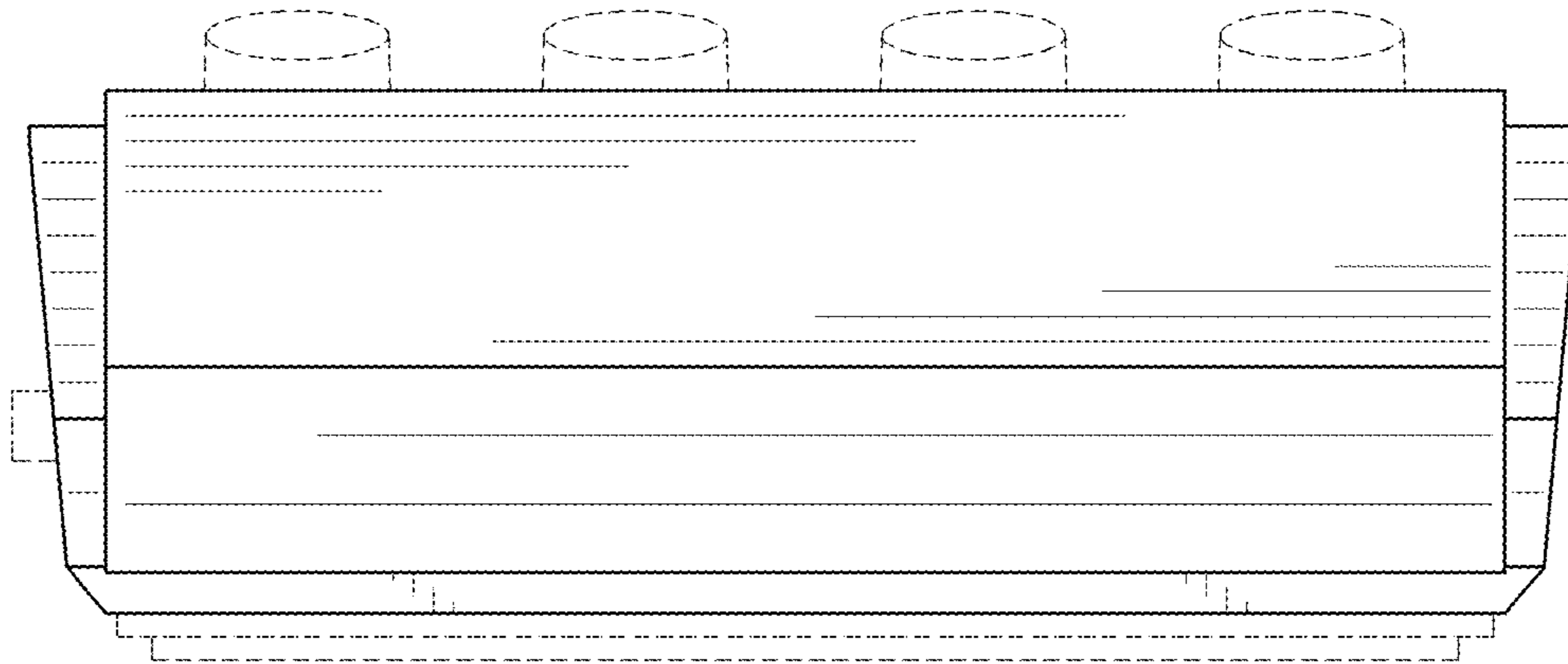


FIG. 2

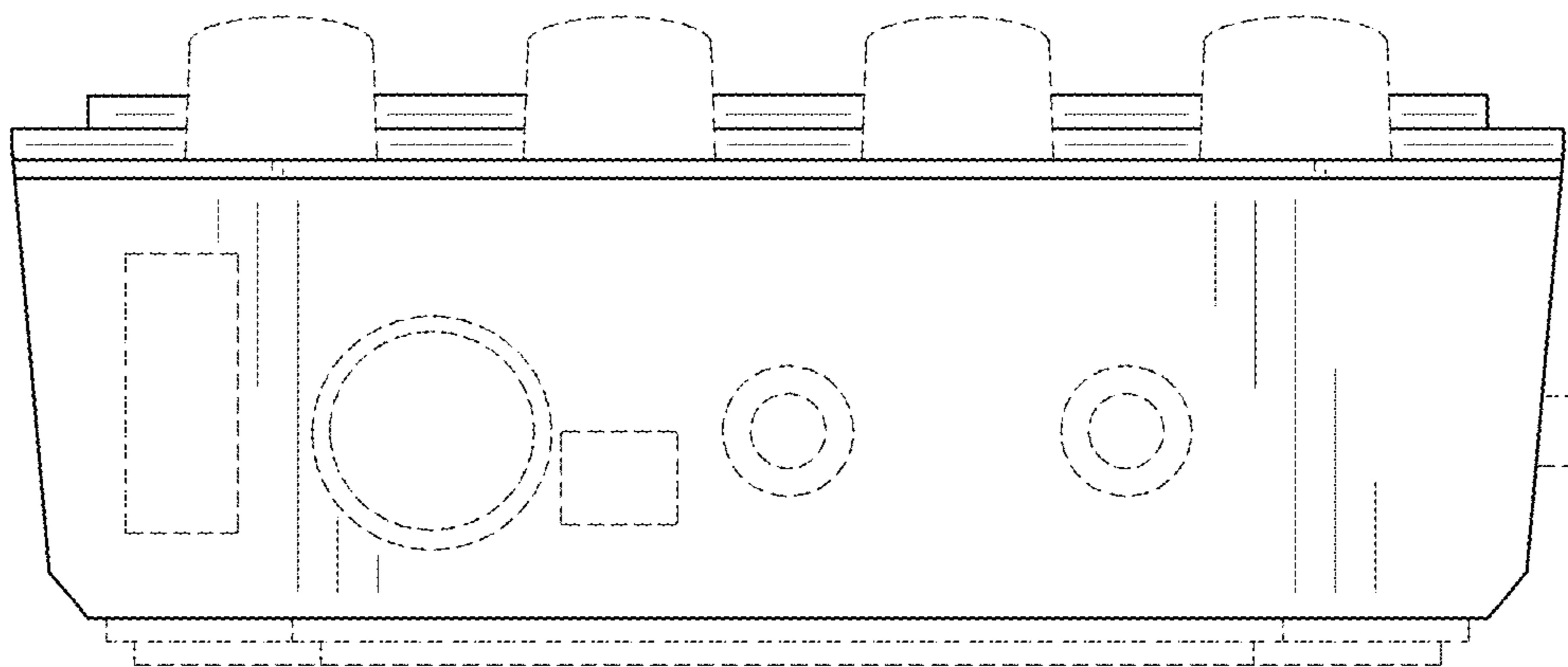


FIG. 3

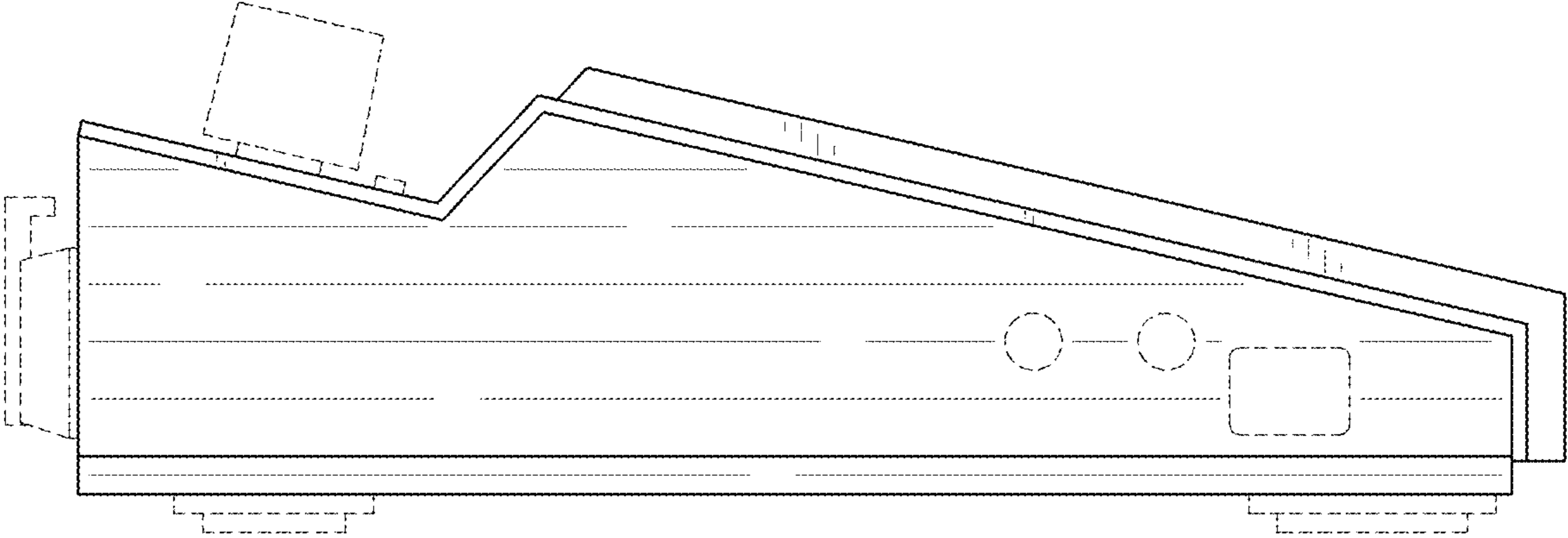


FIG. 4

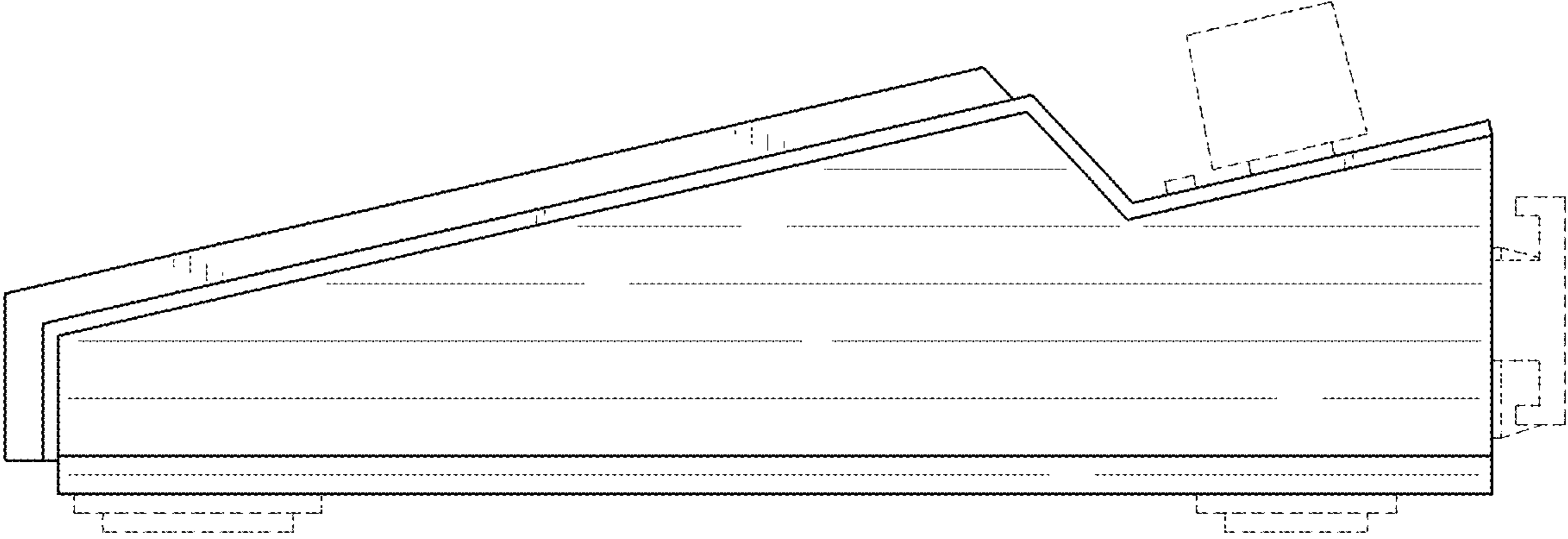


FIG. 5

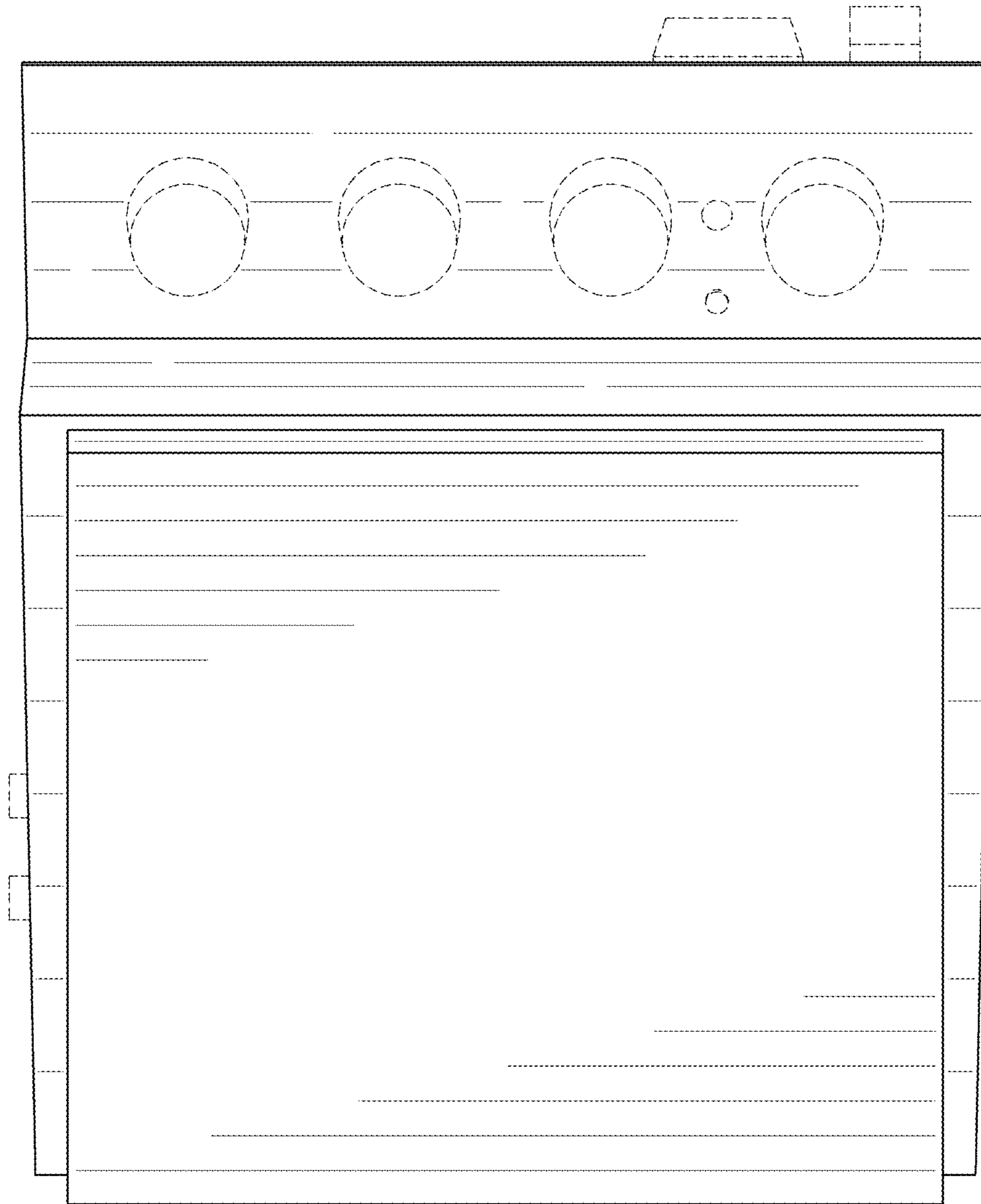


FIG. 6

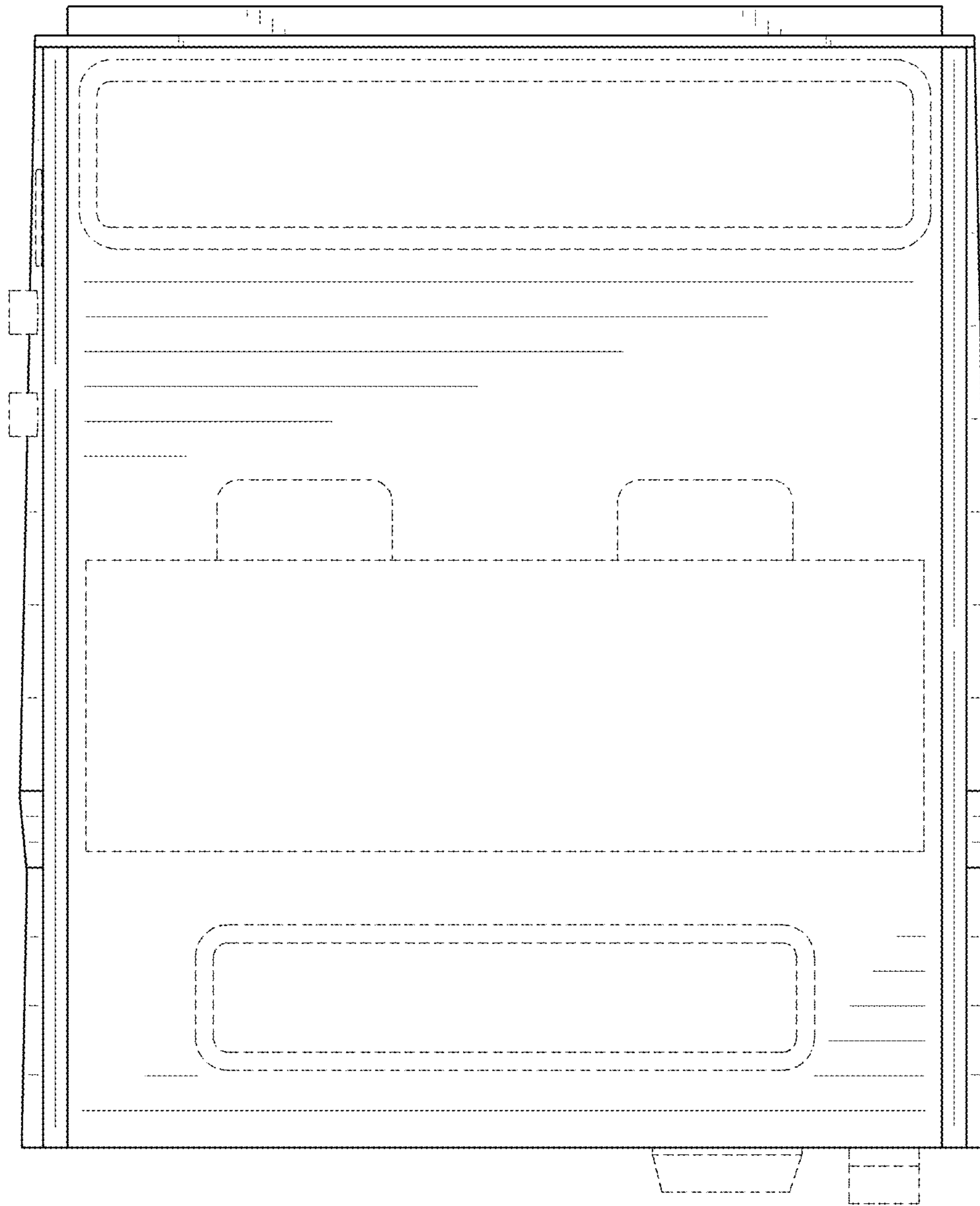


FIG. 7