



US00D884780S

(12) **United States Design Patent** (10) **Patent No.:** **US D884,780 S**  
**Farabaugh** (45) **Date of Patent:** **\*\* May 19, 2020**

(54) **PICK HOLDER FOR A STRINGED INSTRUMENT**

(71) Applicant: **Joseph Farabaugh**, Mt. Airy, MD (US)

(72) Inventor: **Joseph Farabaugh**, Mt. Airy, MD (US)

(\*\*) Term: **15 Years**

(21) Appl. No.: **29/650,848**

(22) Filed: **Jun. 11, 2018**

(51) **LOC (12) Cl.** ..... **17-03**

(52) **U.S. Cl.**  
USPC ..... **D17/20**

(58) **Field of Classification Search**  
USPC ..... D17/14, 18, 19, 20, 21, 99; D21/405  
CPC .. G10D 1/08; G10D 1/10; G10D 3/00; G10D  
3/04; G10D 3/16; G10D 3/163; G10D  
3/18; G10G 5/005; G10H 1/348; G09B  
15/00

See application file for complete search history.

(56) **References Cited**

**U.S. PATENT DOCUMENTS**

371,814 A	10/1887	Bearce	
401,476 A	4/1889	Barnes	
408,052 A	7/1889	Stoll	
413,579 A	10/1889	Stewart	
557,293 A	3/1896	Wahl	
566,806 A	9/1896	Shearer	
584,653 A	6/1897	Sivils	
842,920 A	2/1907	Thedorf	
1,444,982 A	2/1923	Orth	
1,557,476 A	10/1925	Kimball et al.	
1,690,860 A	11/1928	Guillermo	
1,702,660 A	2/1929	Mockel	
1,748,053 A *	2/1930	Blair	G10D 3/00 84/319
1,787,136 A	12/1930	Beauchamp	
2,016,438 A	10/1935	Kealoha	
2,045,571 A	6/1936	Rudolph	
2,063,011 A	12/1936	Bell	

2,221,234 A 11/1940 Frasier  
2,234,224 A \* 3/1941 May Bay ..... G10D 3/163  
84/322

2,466,344 A 4/1949 Francis  
(Continued)

**FOREIGN PATENT DOCUMENTS**

GB 190420093 A \* 8/1905  
WO WO 2002/031808 4/2002  
(Continued)

*Primary Examiner* — R. Johnson

(74) *Attorney, Agent, or Firm* — Leveque IP Law, P.C.

(57) **CLAIM**

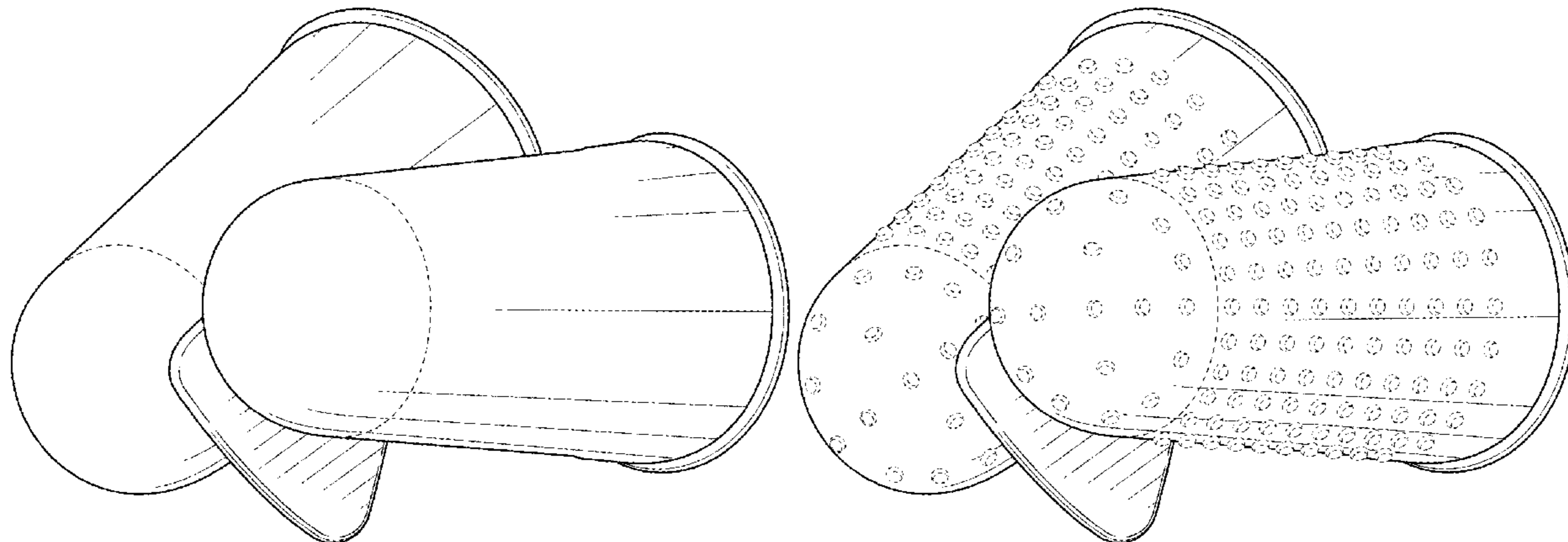
The ornamental design for a pick holder for a stringed instrument, as shown and described.

**DESCRIPTION**

FIG. 1 is a front, right perspective view of a pick holder for a stringed instrument;  
 FIG. 2 is a right side view of the pick holder for a stringed instrument;  
 FIG. 3 is a left side view of the pick holder for a stringed instrument;  
 FIG. 4 is a front view of the pick holder for a stringed instrument;  
 FIG. 5 is a rear view of the pick holder for a stringed instrument;  
 FIG. 6 is a bottom view of the pick holder for a stringed instrument;  
 FIG. 7 is a top view of the pick holder for a stringed instrument; and,  
 FIG. 8 is a front, right perspective view of the pick holder for a stringed instrument with an unclaimed texture shown thereon.

The broken lines showing portions of the design are for illustrative purposes only, illustrate unclaimed portions, and form no part of the claimed design.

**1 Claim, 5 Drawing Sheets**



(56)

References Cited

U.S. PATENT DOCUMENTS

2,493,698 A \* 1/1950 Schwartz ..... G10D 3/00  
84/319  
2,776,592 A 1/1957 Di Preta  
3,019,769 A 2/1962 Ballard  
3,386,325 A \* 6/1968 Smith ..... G10D 3/00  
84/319  
3,442,169 A 5/1969 Bowers  
3,650,172 A 3/1972 Osborne  
3,648,558 A 4/1972 Chenette  
3,699,838 A 10/1972 Montgomery  
3,739,681 A 6/1973 Dunlop  
3,789,720 A \* 2/1974 McIntyre ..... G10D 3/163  
84/322  
3,854,368 A 12/1974 Pogan  
3,927,595 A 12/1975 Ferguson  
4,020,732 A 5/1977 Kelly  
4,102,234 A 7/1978 Brundage  
4,149,661 A \* 4/1979 Curtiss ..... D05B 91/04  
223/101  
4,261,608 A 4/1981 Bradshaw  
4,270,433 A 6/1981 Adamec  
D270,966 S \* 10/1983 Lynn ..... D3/29  
4,741,239 A 5/1988 Crafton  
4,843,942 A 7/1989 Ishizuka  
4,867,032 A 9/1989 Lukehart  
4,879,940 A 11/1989 Pereira  
4,899,557 A 2/1990 Schwartz  
5,310,345 A 5/1994 Gershon  
5,323,677 A 6/1994 Knutson  
5,509,341 A 4/1996 Dunlop  
D392,668 S 3/1998 Shingler  
5,837,913 A 11/1998 Newman  
5,856,627 A 1/1999 George  
5,864,075 A 1/1999 Mapson  
5,973,243 A 10/1999 Christenson  
5,981,857 A 11/1999 Mapson  
6,127,613 A 10/2000 Hansel  
6,237,194 B1 5/2001 Williams  
6,335,477 B1 1/2002 Miller  
6,726,068 B2 4/2004 Miller  
6,797,871 B2 9/2004 Atkin  
7,067,729 B2 6/2006 Leong  
7,078,604 B2 7/2006 Rapaport  
7,162,827 B1 1/2007 Yabusaki

7,179,976 B2 2/2007 West  
7,312,386 B2 12/2007 Sielaff et al.  
7,375,268 B1 5/2008 Thornhill  
7,589,267 B1 9/2009 Sims  
7,718,874 B2 5/2010 Cheok  
7,786,362 B1 8/2010 Whetstine  
7,794,163 B2 9/2010 Bush, III et al.  
7,977,557 B2 7/2011 Broderick  
8,017,845 B2 9/2011 Slingsby  
8,156,610 B2 4/2012 McKenzie et al.  
8,263,845 B2 9/2012 McDonald  
8,378,193 B2 2/2013 Culver et al.  
8,389,839 B2 3/2013 McVicker  
8,492,630 B1 7/2013 Wonnacott  
8,502,053 B2 8/2013 Gustafson et al.  
8,591,235 B1 11/2013 Berman  
8,624,096 B2 1/2014 Lai  
8,642,864 B2 2/2014 Bordelon  
8,664,498 B2 3/2014 Leneman  
8,730,194 B2 5/2014 Vellanki  
9,047,849 B2 6/2015 Koster  
9,089,191 B1 7/2015 Farnum  
9,135,898 B1 9/2015 McVicker  
9,205,696 B2 12/2015 Young  
9,240,167 B2 1/2016 Caccia  
9,330,640 B2 5/2016 Tsukada  
9,754,564 B2 9/2017 Knapp  
2003/0047058 A1 3/2003 Pearson-Bey  
2009/0139384 A1 6/2009 Bramucci  
2010/0251767 A1 10/2010 Beaton, Sr.  
2012/0210486 A1 8/2012 McJunkin  
2015/0013521 A1 1/2015 Gustavson et al.  
2015/0064665 A1 3/2015 Hunt  
2015/0090095 A1 \* 4/2015 Maldonado ..... G01D 3/00  
84/315  
2015/0096426 A1 4/2015 Culver et al.  
2015/0255050 A1 9/2015 Diaz  
2015/0279229 A1 10/2015 Padden  
2015/0294653 A1 10/2015 Harrington  
2016/0351175 A1 12/2016 Torgler

FOREIGN PATENT DOCUMENTS

WO WO 2006/039737 4/2006  
WO WO-2006039737 A1 \* 4/2006 ..... G10D 3/163  
WO WO 2007/003931 1/2007

\* cited by examiner

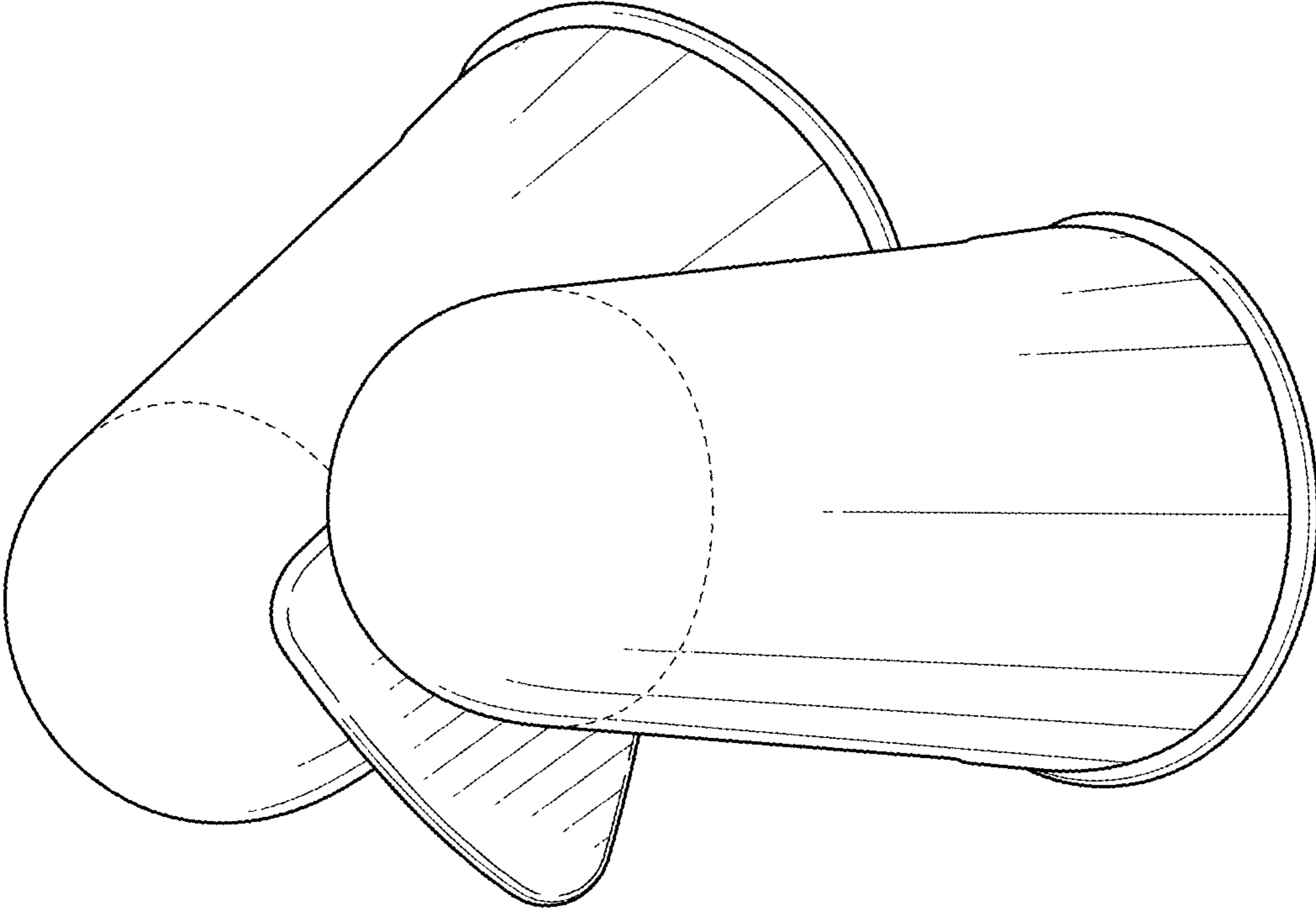


FIG. 1

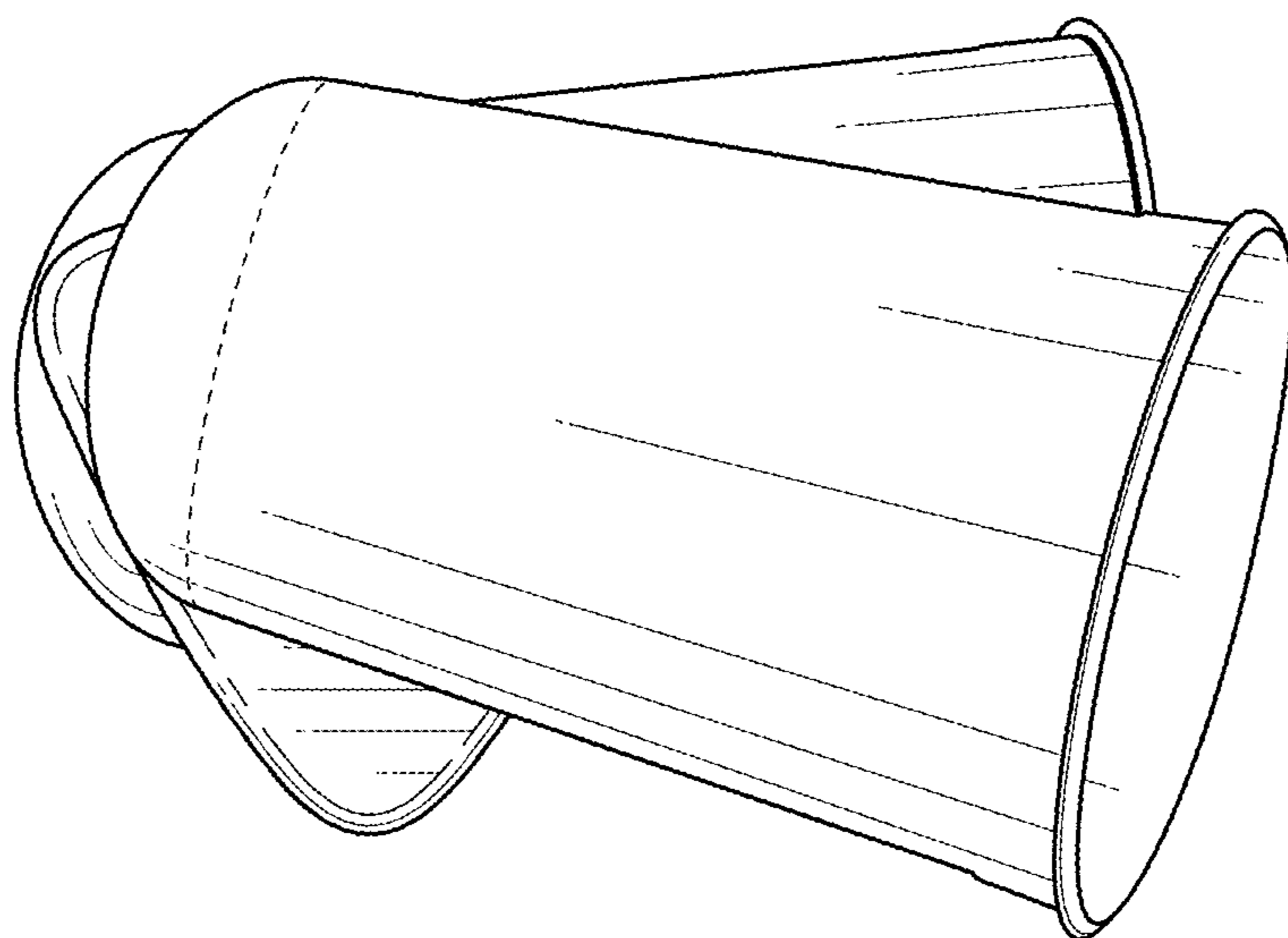


FIG. 2

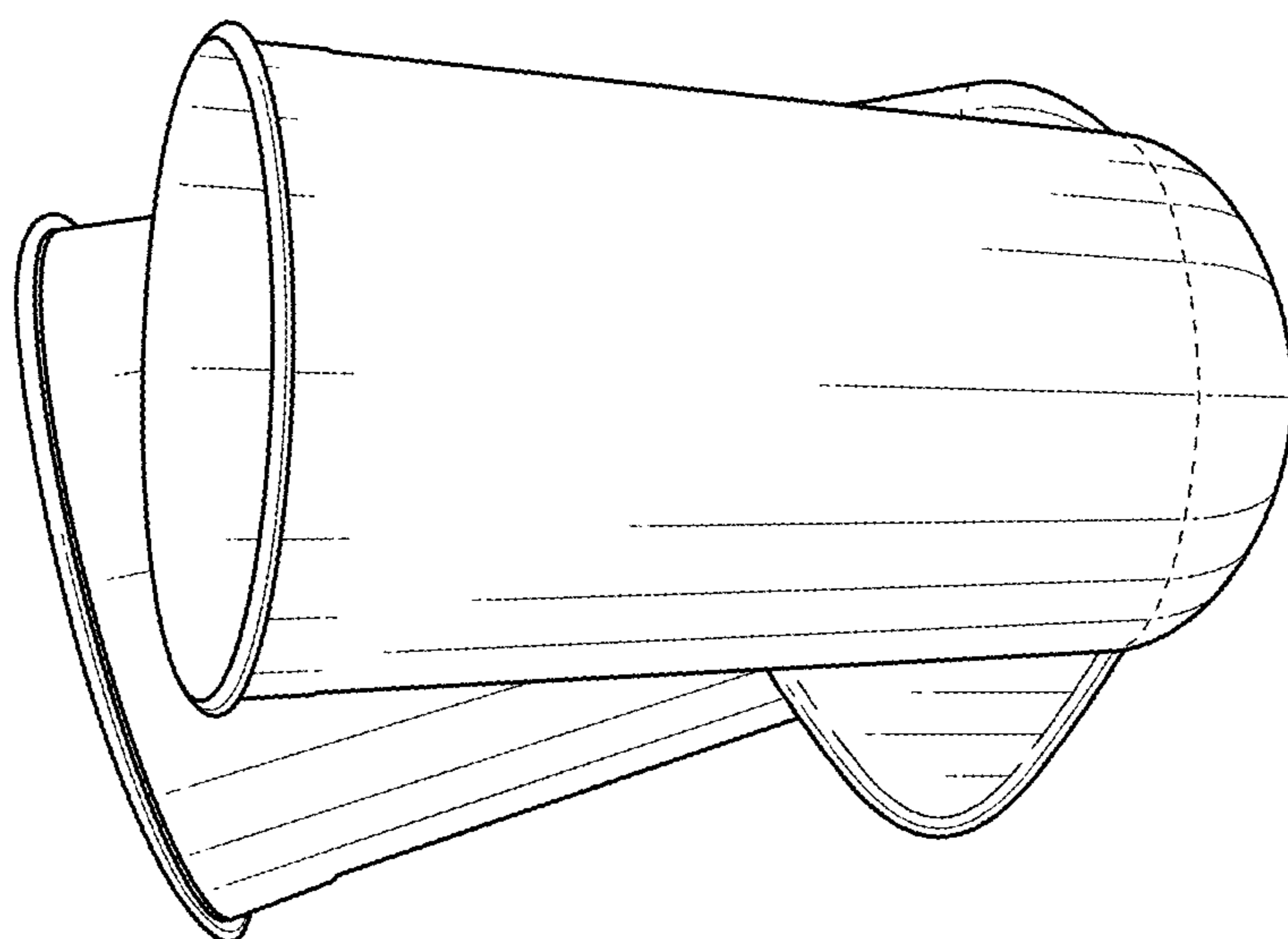


FIG. 3

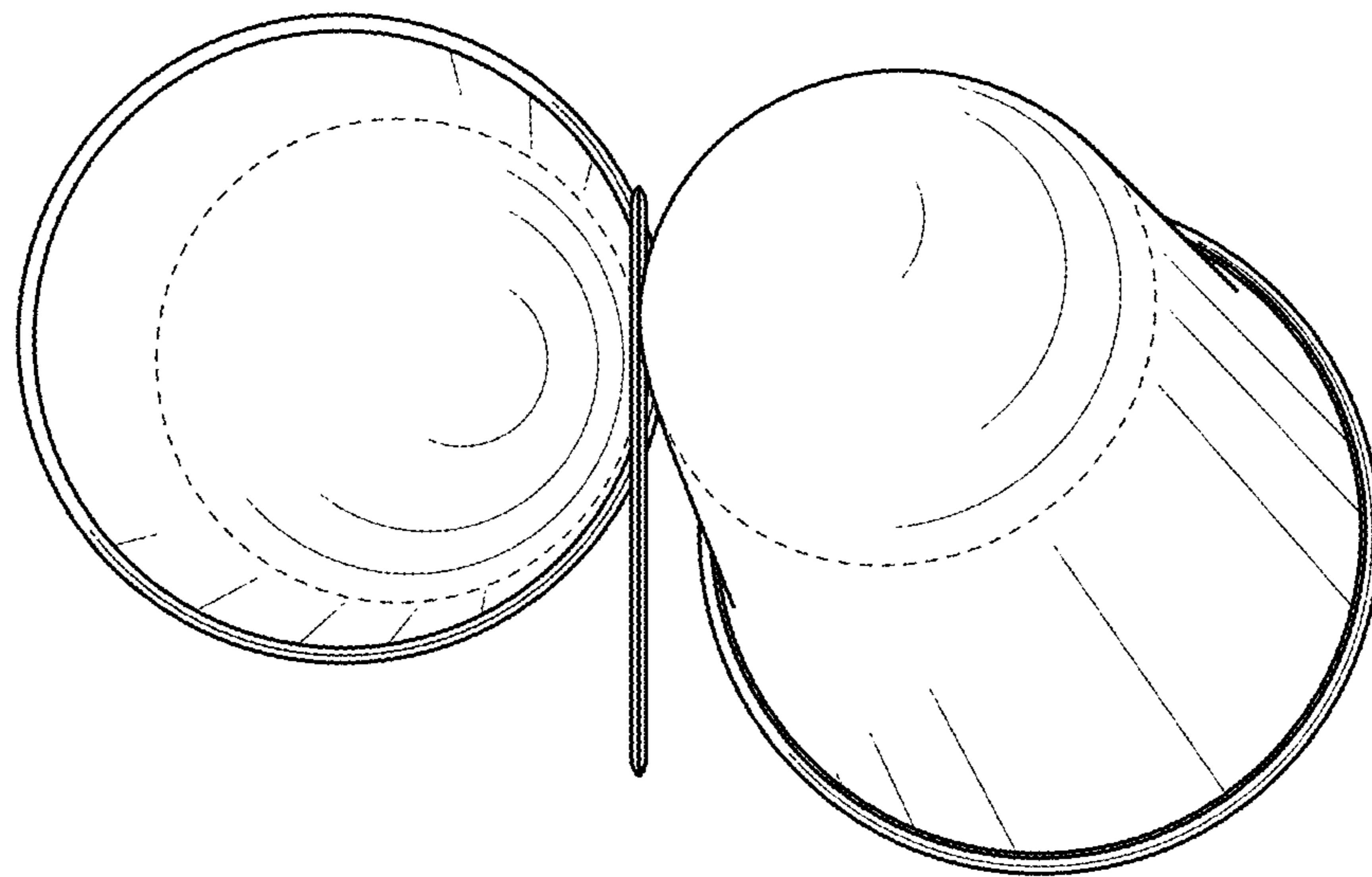


FIG. 4

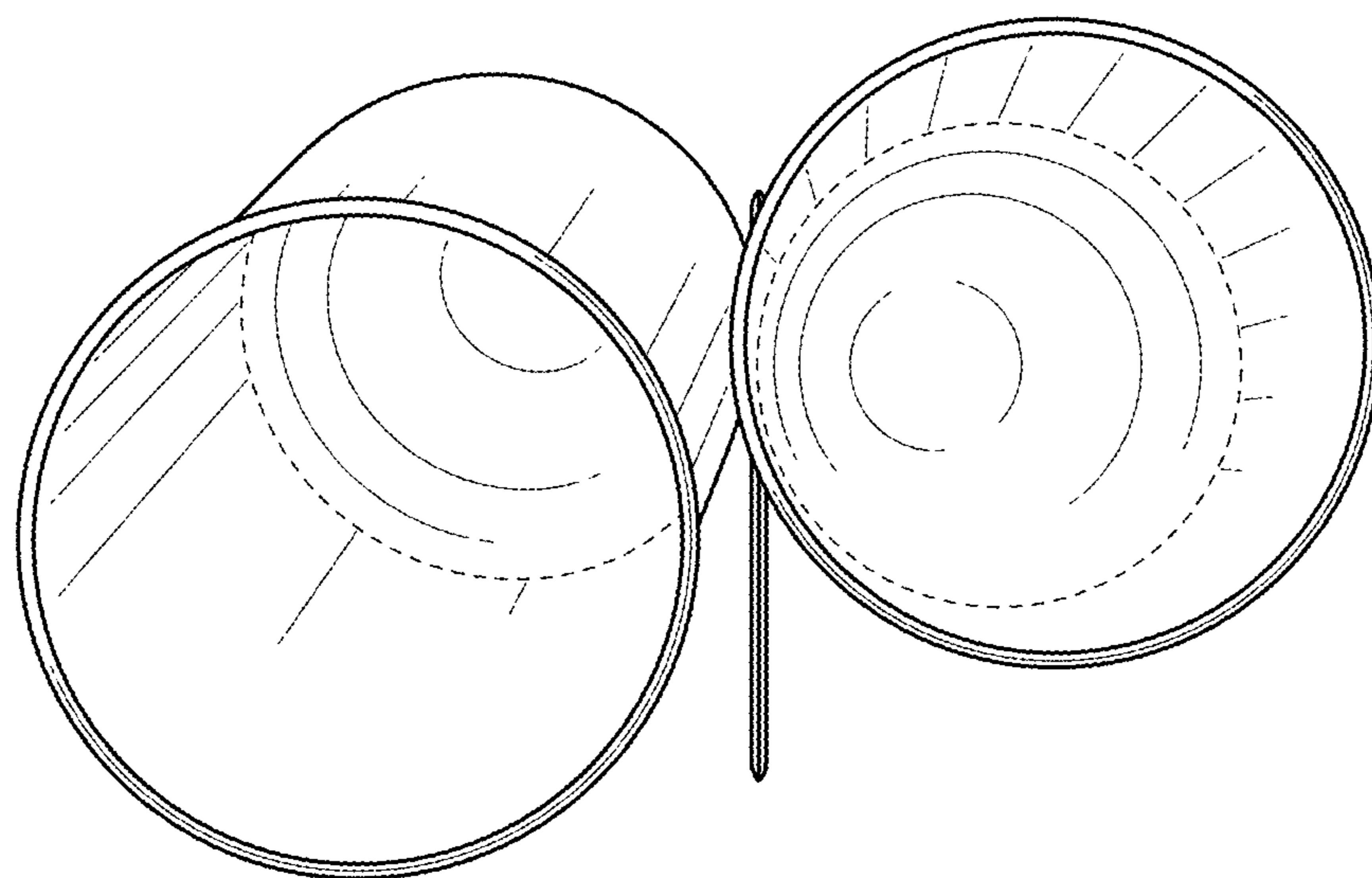


FIG. 5

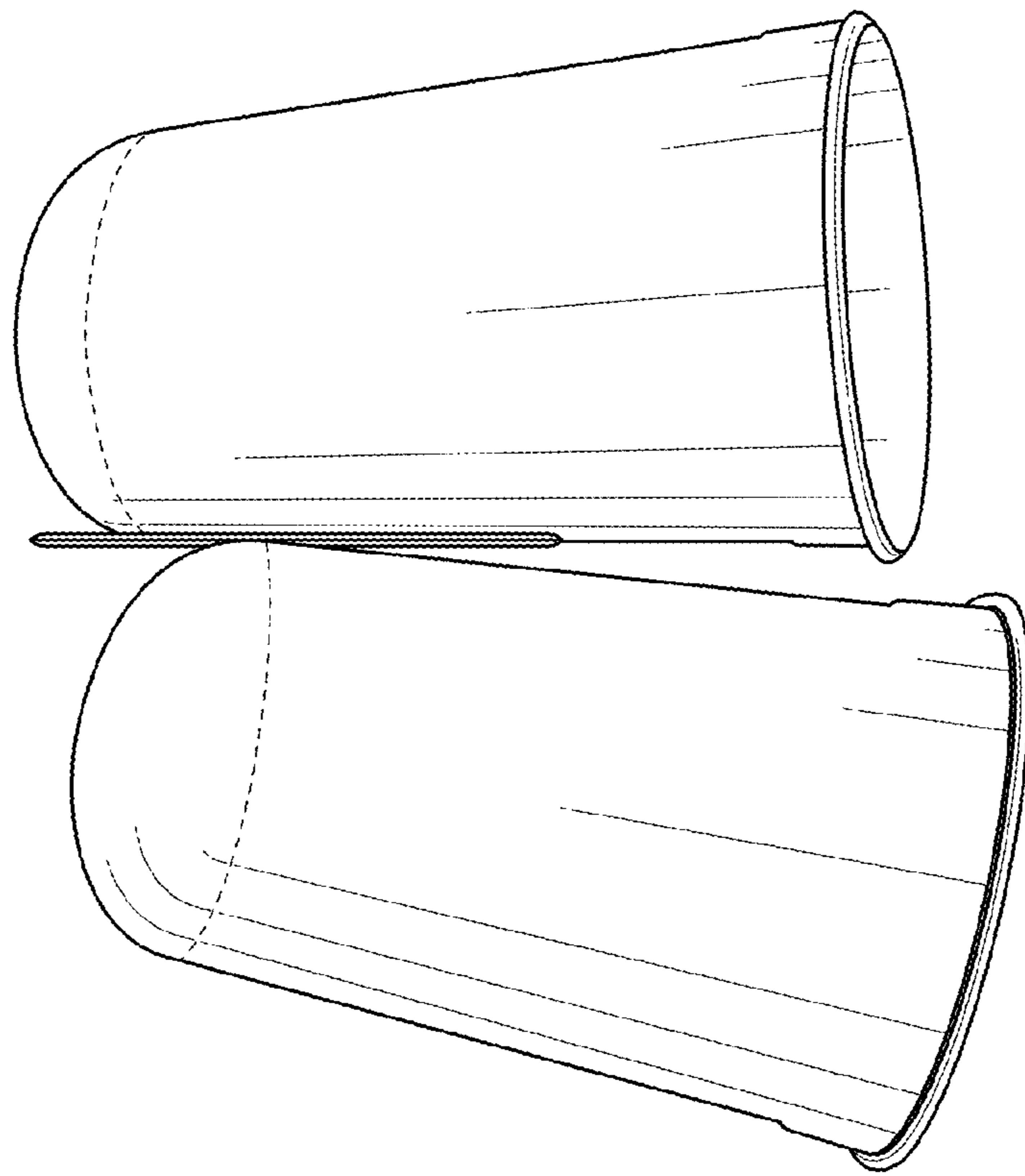


FIG. 6

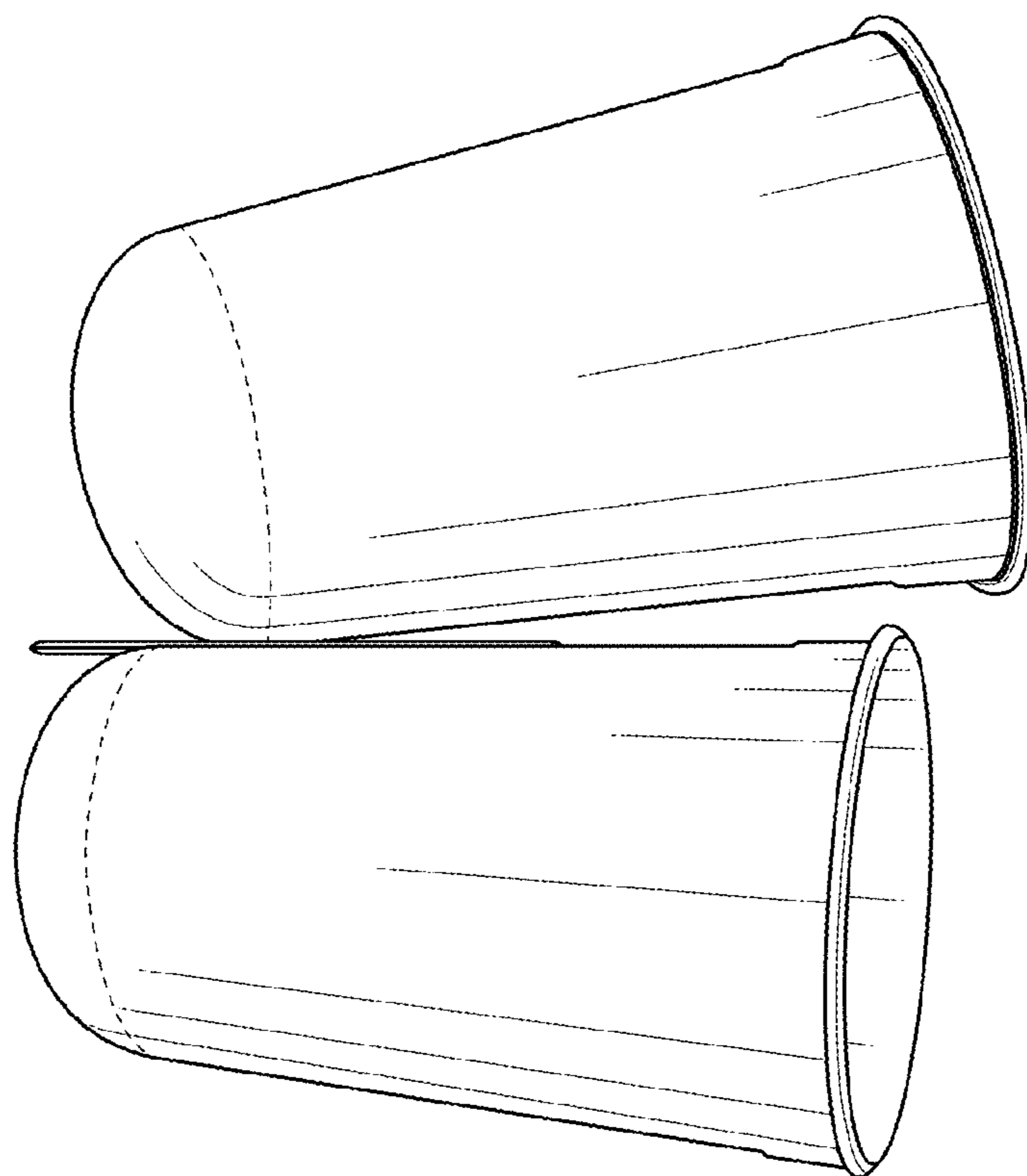


FIG. 7

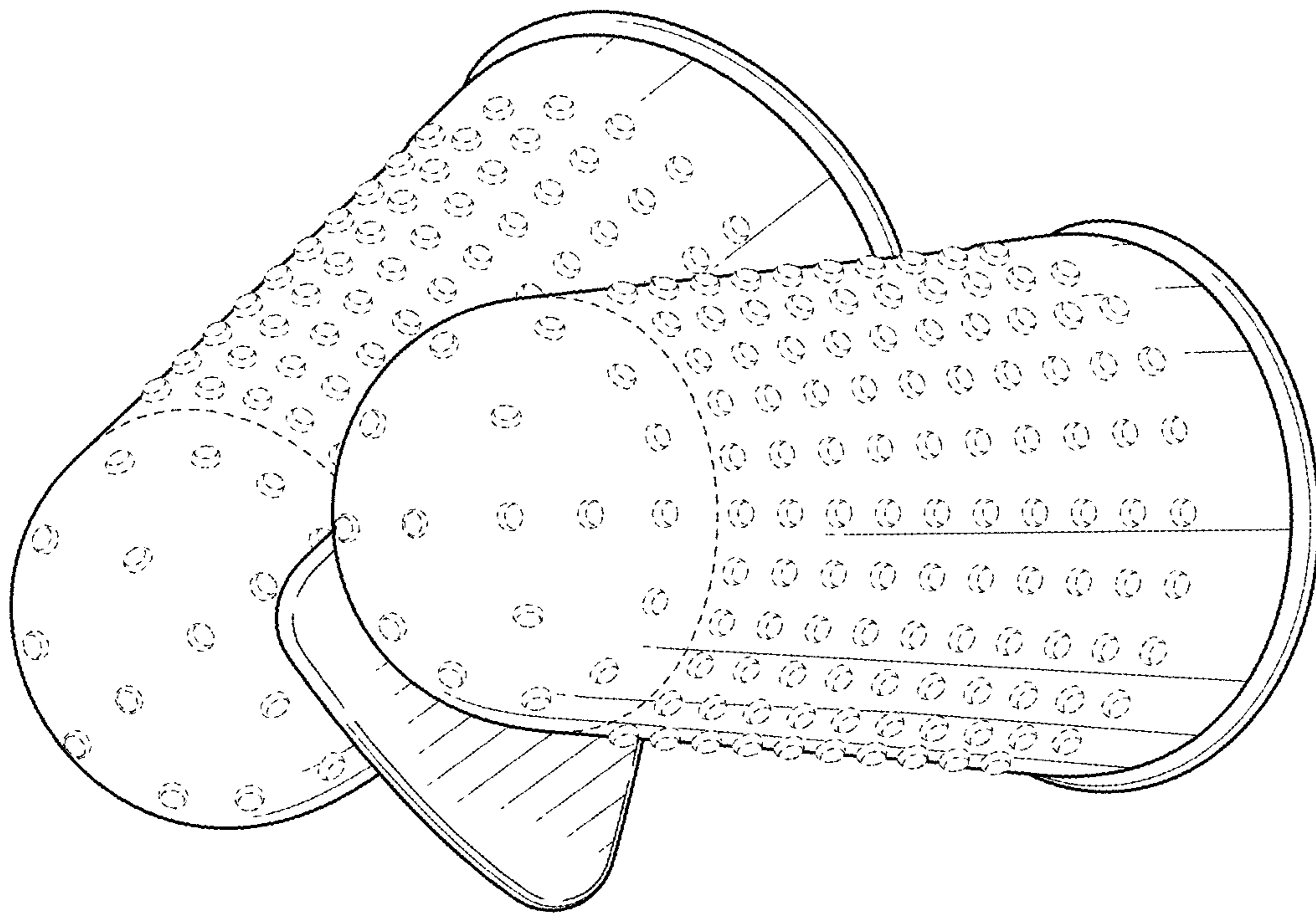


FIG. 8