



US00D884779S

(12) **United States Design Patent**
Huang

(10) **Patent No.:** **US D884,779 S**

(45) **Date of Patent:** **** May 19, 2020**

(54) **EYEGASSES CONNECTOR WITH
MAGNET**

(71) Applicant: **Wen-Tse Huang**, Kaohsiung (TW)

(72) Inventor: **Wen-Tse Huang**, Kaohsiung (TW)

(**) Term: **15 Years**

(21) Appl. No.: **29/667,826**

(22) Filed: **Oct. 25, 2018**

(51) **LOC (12) Cl.** **16-06**

(52) **U.S. Cl.**
USPC **D16/334**

(58) **Field of Classification Search**
USPC D16/101, 300-342, 900; D29/109-110;
D21/483, 659-661; D14/372; 351/41,
351/44, 45-48, 51-52, 62, 158, 92,
351/103-123, 140-153, 63, 59; 2/13, 15,
2/426-432, 447-449, 441, 434-437
CPC G02C 2200/08; G02C 1/06; G02C 5/14;
G02C 11/02; G02C 11/04; G02C 5/16;
G02C 2200/22; G02C 5/146; G02C
5/2254; G02C 5/008; G01C 5/16; A61M
2021/0044; A63B 33/002
See application file for complete search history.

(56) **References Cited**

U.S. PATENT DOCUMENTS

D857,789 S * 8/2019 Huang 16/334
2006/0126011 A1* 6/2006 Chen G02C 5/2236
351/113

2006/0132706 A1* 6/2006 Li G02C 5/10
351/153
2007/0091253 A1* 4/2007 Chao G02C 9/00
351/59
2008/0074608 A1* 3/2008 Chen G02C 5/2263
351/120
2012/0146357 A1* 6/2012 Huang B60J 3/0208
296/97.6
2014/0125942 A1* 5/2014 Huang G02C 5/146
351/121
2018/0143457 A1* 5/2018 Huang G02C 9/04

* cited by examiner

Primary Examiner — Michelle E. Wilson

Assistant Examiner — Sanjeev Paul

(74) *Attorney, Agent, or Firm* — Alan D. Kamrath; Mayer & Williams PC

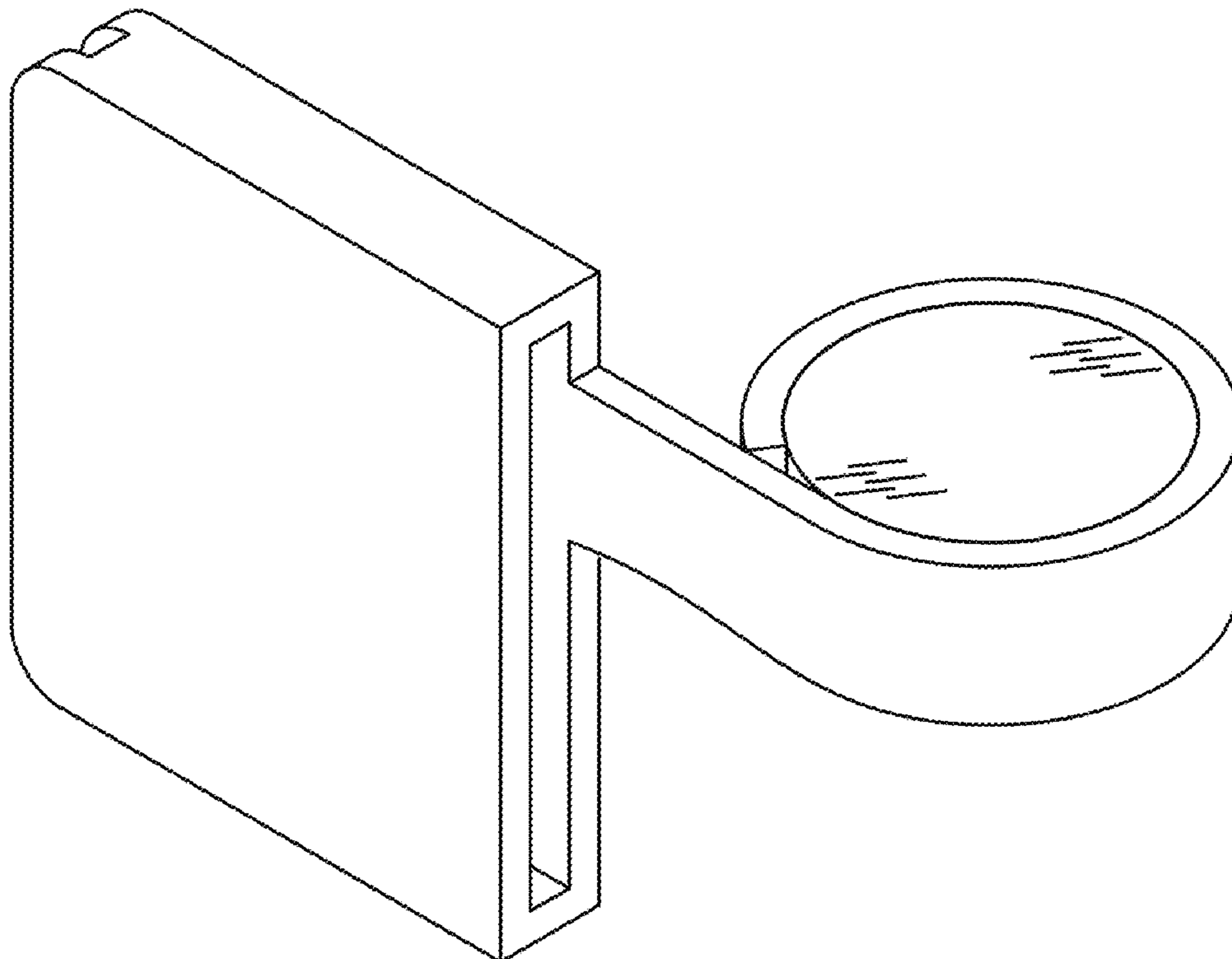
(57) **CLAIM**

The ornamental design for an eyeglasses connector with a magnet, as shown and described.

DESCRIPTION

FIG. 1 is a front perspective view of an eyeglasses connector with a magnet showing my design;
FIG. 2 is a front elevational view thereof;
FIG. 3 is a rear elevational view thereof;
FIG. 4 is a left elevational view thereof;
FIG. 5 is a right elevational view thereof;
FIG. 6 is a top plan view thereof;
FIG. 7 is a bottom plan view thereof; and,
FIG. 8 is a rear perspective view thereof.

1 Claim, 5 Drawing Sheets



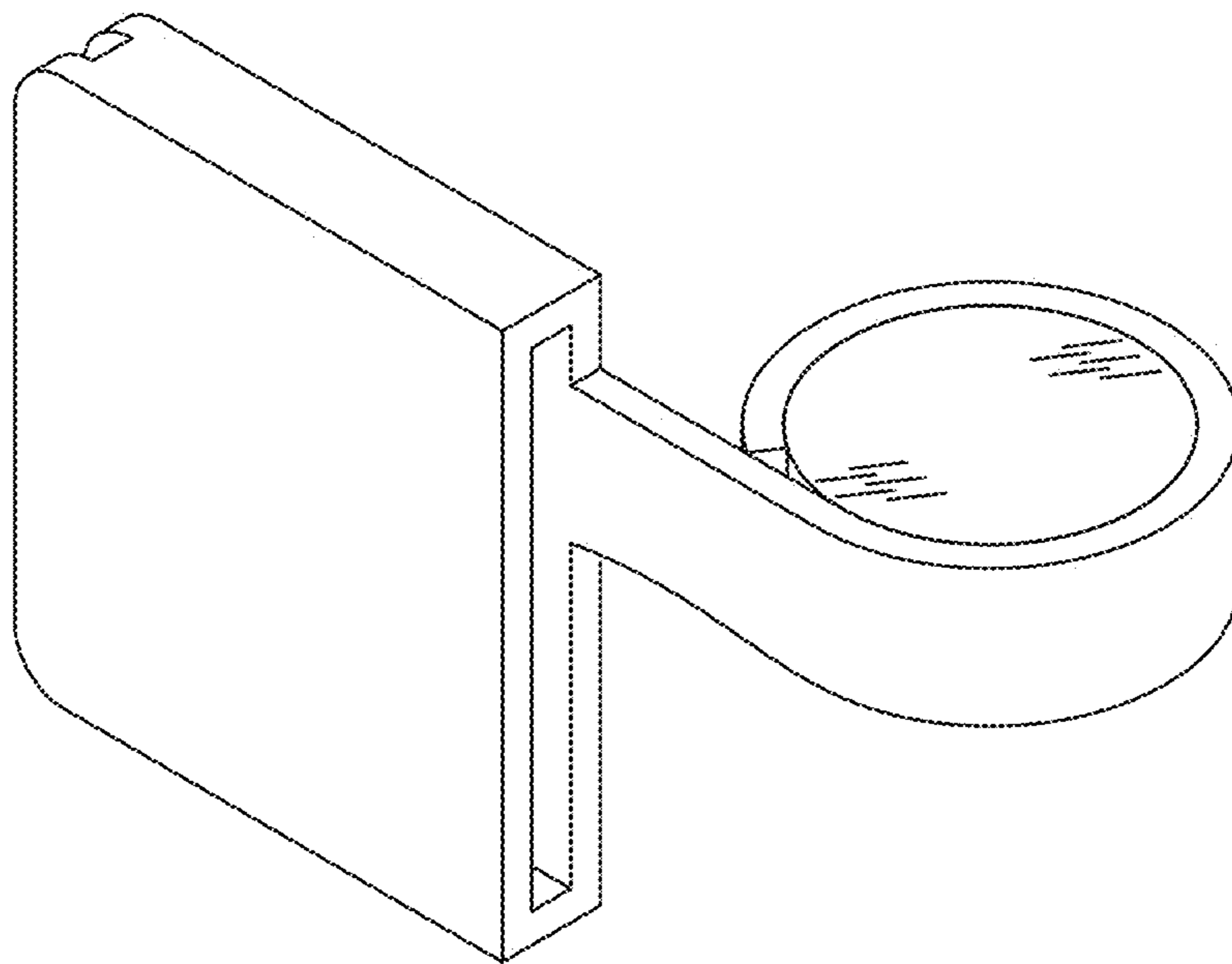


FIG.1

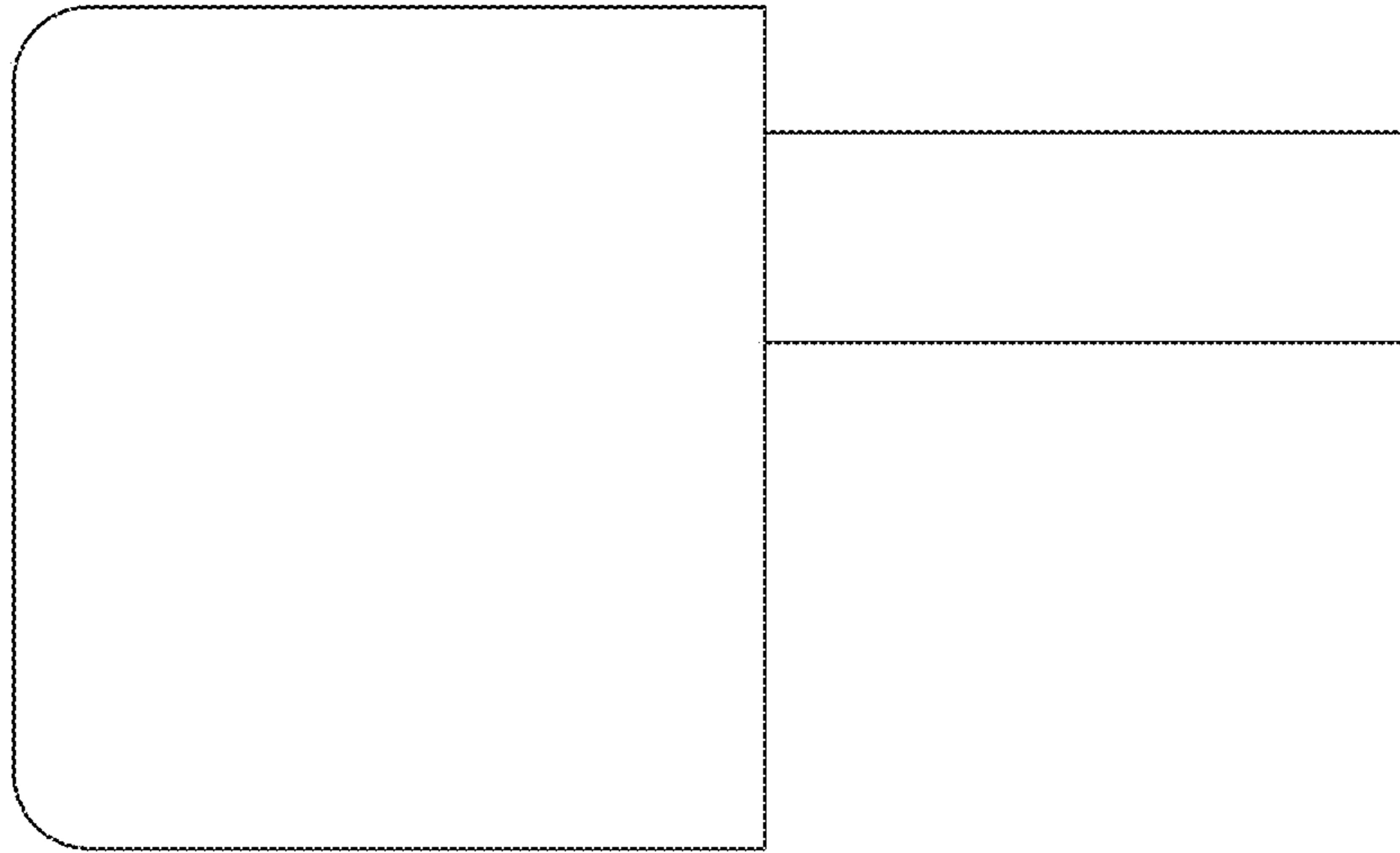


FIG. 2

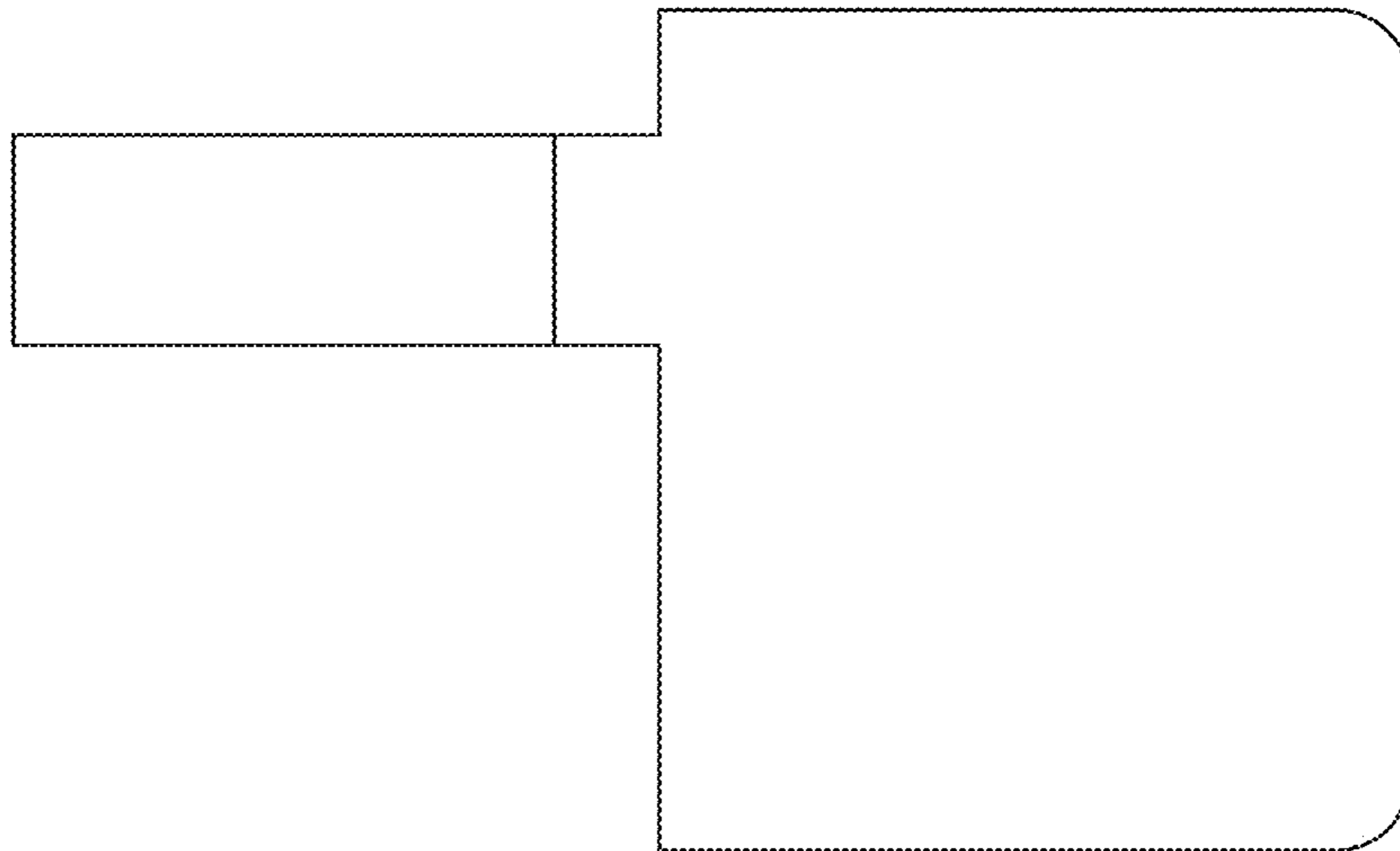


FIG. 3

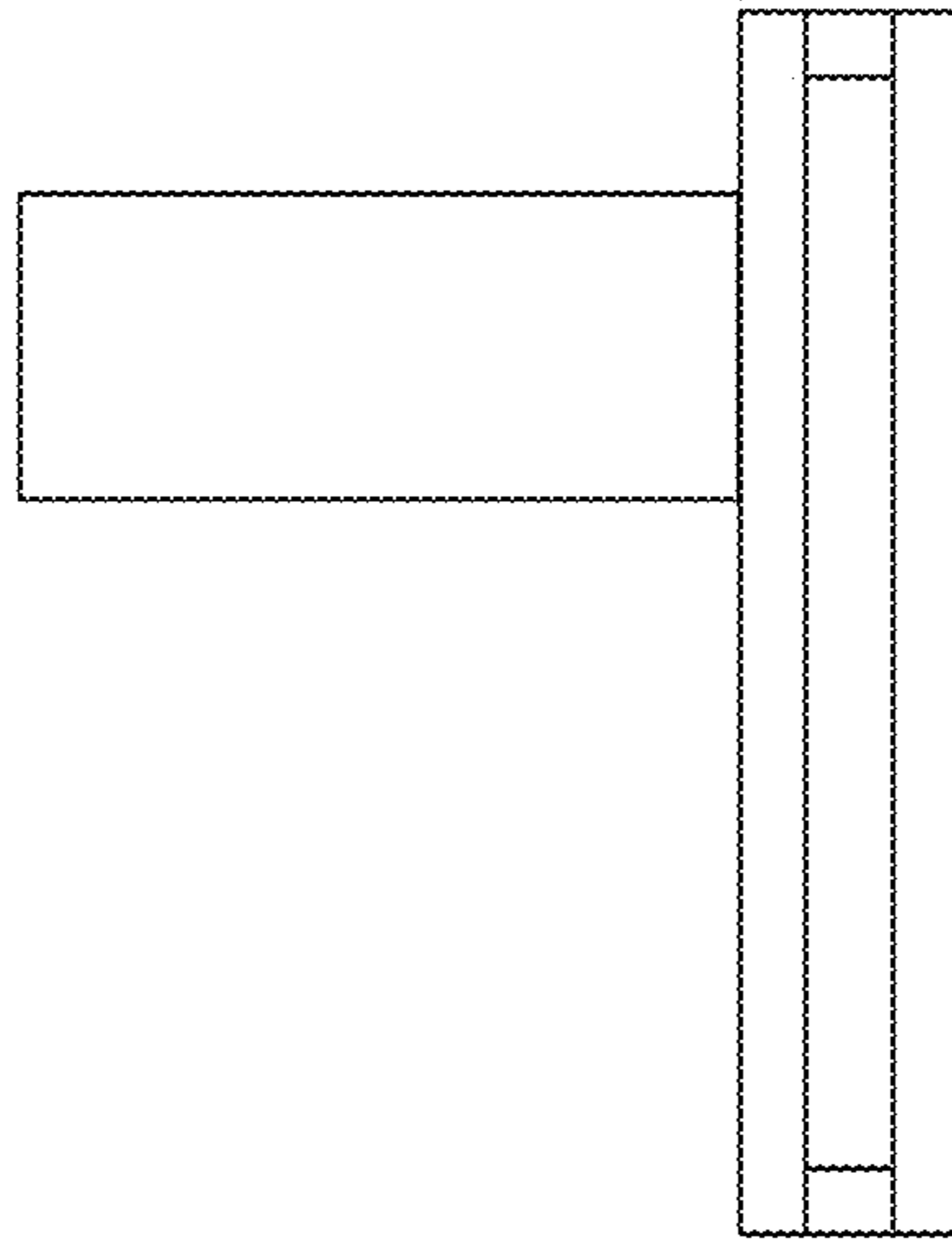


FIG. 4

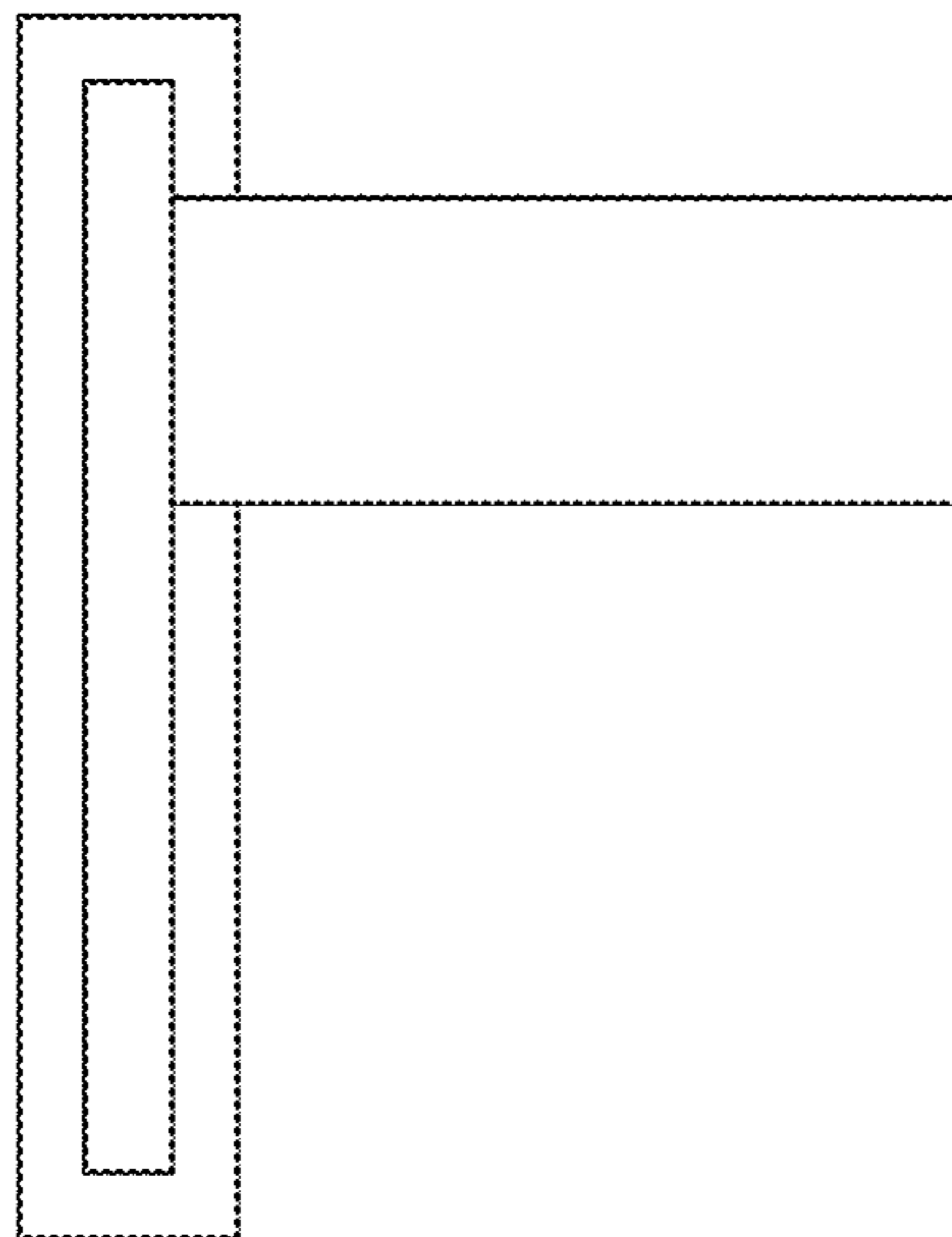


FIG. 5

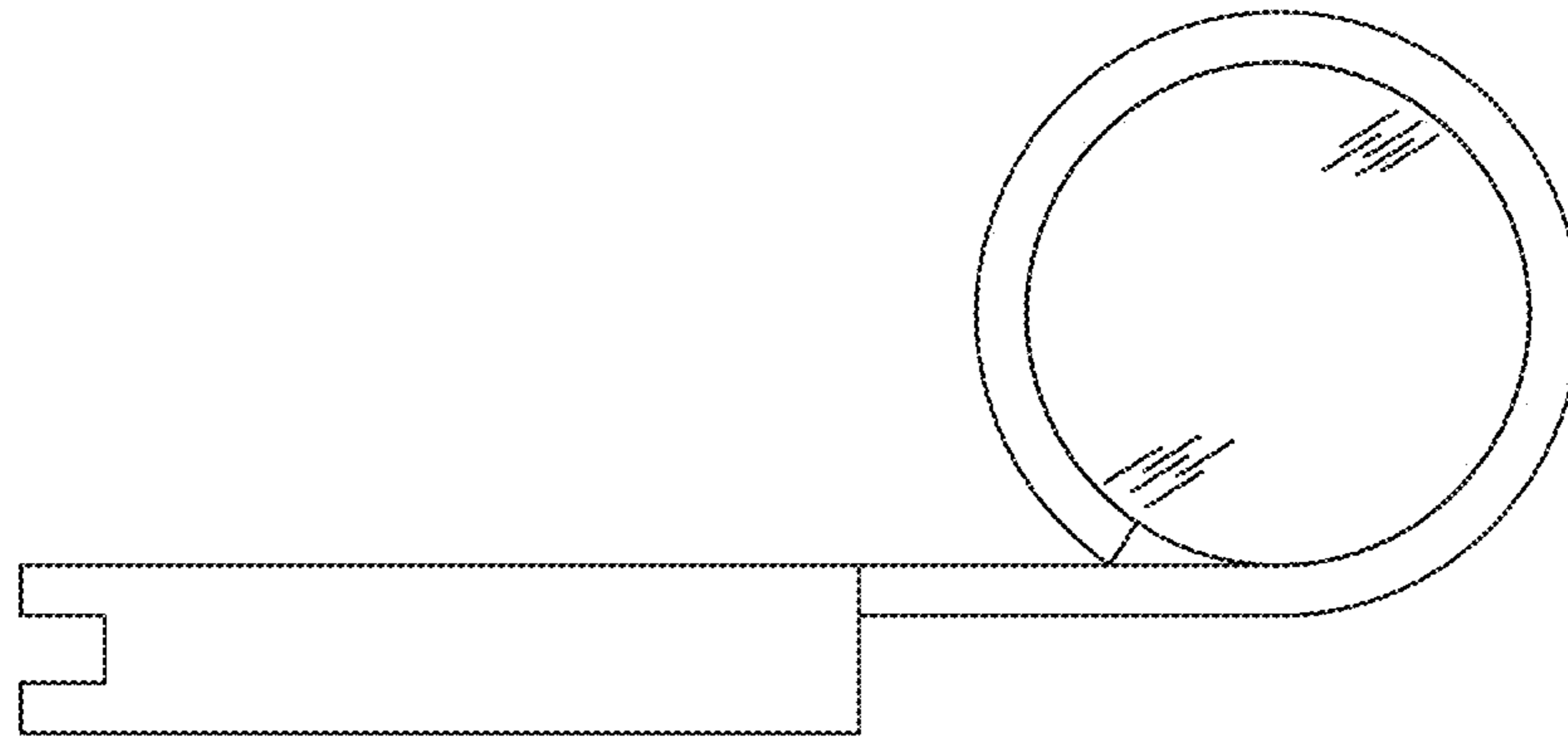


FIG. 6

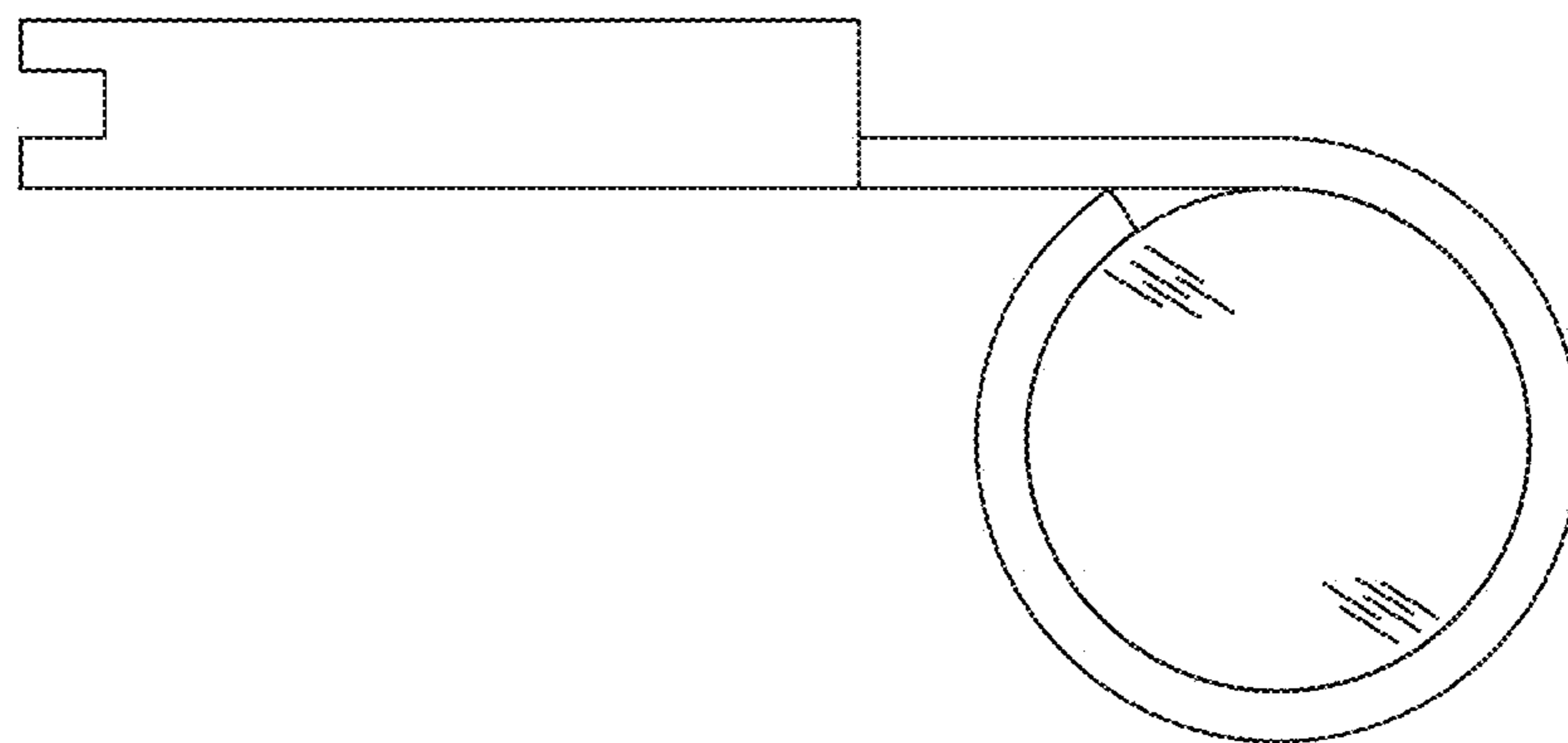


FIG. 7

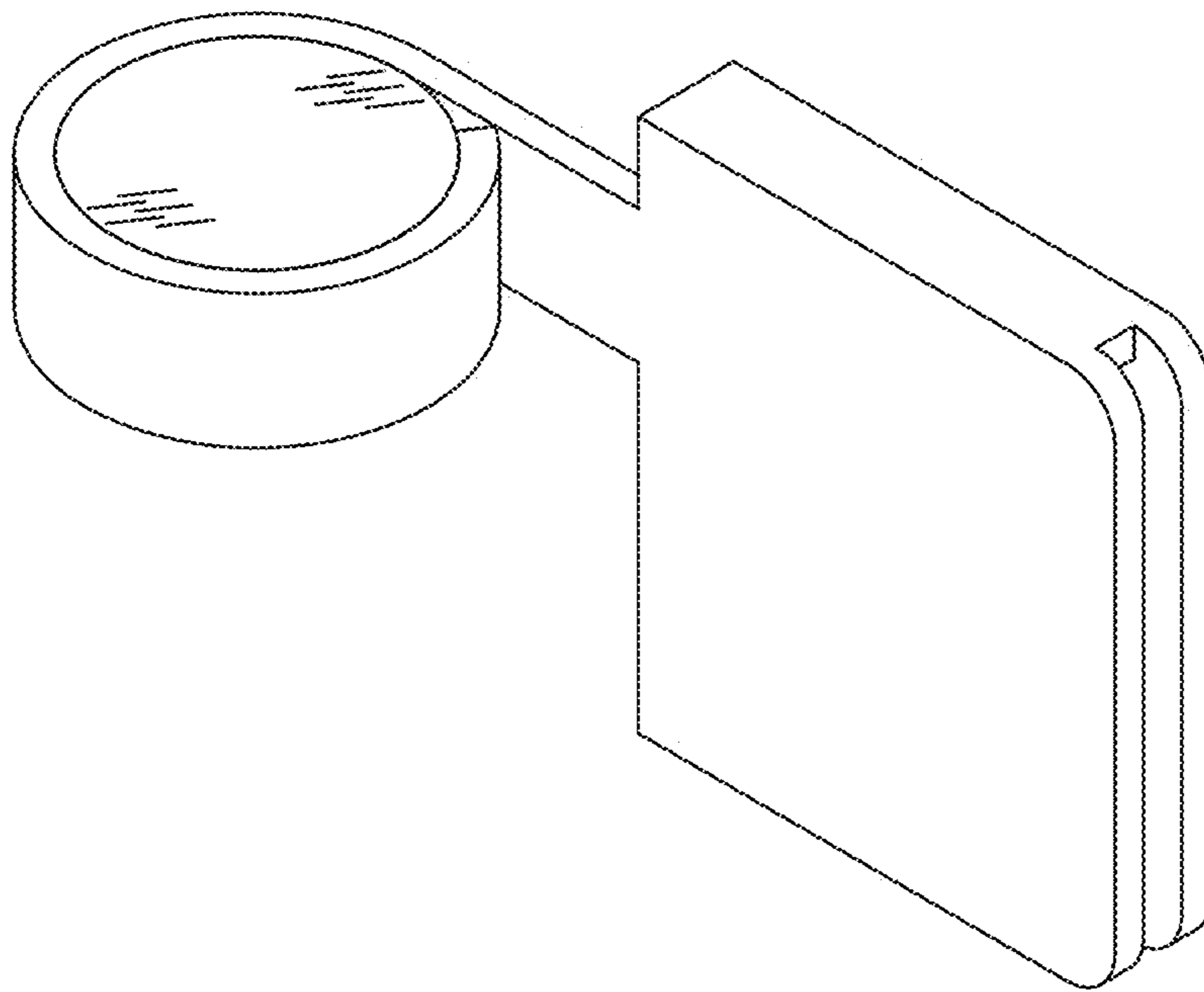


FIG.8