



US00D884778S

(12) **United States Design Patent**
Birkemeier et al.

(10) **Patent No.:** **US D884,778 S**

(45) **Date of Patent:** **** May 19, 2020**

(54) **ACCESSORY MOUNT**

(71) Applicant: **ShredLife Inc.**, San Diego, CA (US)

(72) Inventors: **Eric Birkemeier**, San Diego, CA (US);
Kyle Kitzmiller, San Diego, CA (US)

(73) Assignee: **SHREDLIFE INC.**, San Diego, CA
(US)

(**) Term: **15 Years**

(21) Appl. No.: **29/670,563**

(22) Filed: **Nov. 16, 2018**

(51) **LOC (12) Cl.** **16-05**

(52) **U.S. Cl.**
USPC **D16/245**; D8/354; D8/382; D12/345

(58) **Field of Classification Search**
USPC D8/349, 354, 356, 373, 382, 499;
D16/245; D12/345

CPC E21B 19/06
See application file for complete search history.

(56) **References Cited**

U.S. PATENT DOCUMENTS

D310,016 S *	8/1990	Johansson	248/640
D335,429 S *	5/1993	Scott, Jr.	D25/133
D335,430 S *	5/1993	Scott, Jr.	D25/133
D402,881 S *	12/1998	Fischer	D8/354
D426,453 S *	6/2000	Stearns	D8/354
D560,471 S *	1/2008	Short	D8/354

D566,527 S *	4/2008	Cavarsan	D8/356
D569,231 S *	5/2008	Terada	D8/354
D614,477 S *	4/2010	Edwards	E04F 11/1834 D8/354
D635,445 S *	4/2011	Foresman	D8/354
D638,776 S *	5/2011	Masson	D12/345
D752,417 S *	3/2016	Witting	D8/354
D761,084 S *	7/2016	Cox	D8/354
D761,085 S *	7/2016	Cox	D8/354
D762,536 S *	8/2016	Wurzer	D12/174
D768,471 S *	10/2016	Marquez	D8/382
D777,240 S *	1/2017	Costa	D16/245

* cited by examiner

Primary Examiner — Sheryl Lane

Assistant Examiner — Melvin L Davis

(74) *Attorney, Agent, or Firm* — Kilpatrick Townsend
Stockton LLP

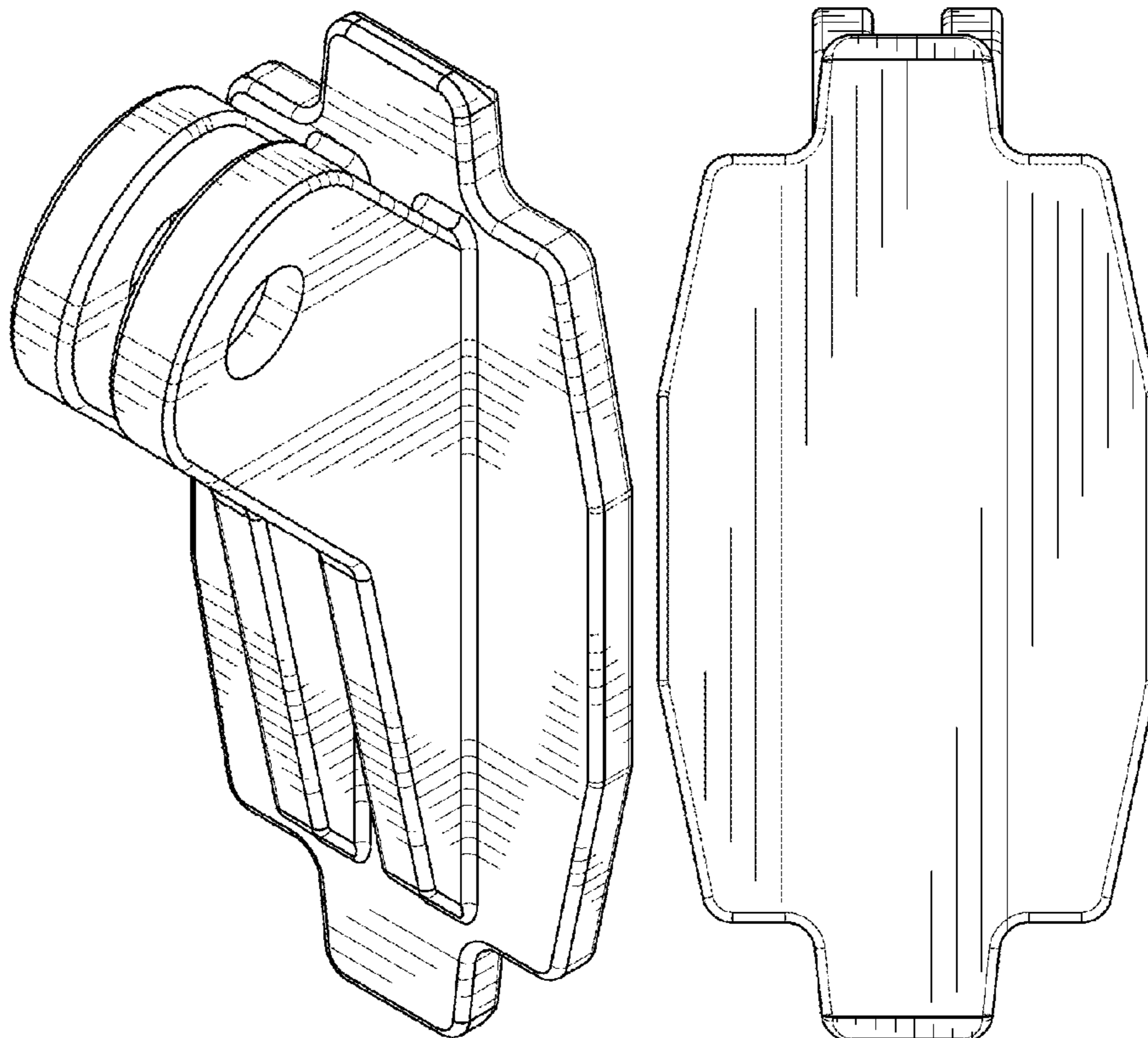
(57) **CLAIM**

The ornamental design for accessory mount, as shown and described.

DESCRIPTION

FIG. 1 is a perspective view of accessory mount showing my new design;
FIG. 2 is a left side elevational view;
FIG. 3 is a back elevational view;
FIG. 4 is a right side elevational view;
FIG. 5 is a front elevational view;
FIG. 6 is a bottom plan view; and,
FIG. 7 is a top plan view.

1 Claim, 7 Drawing Sheets



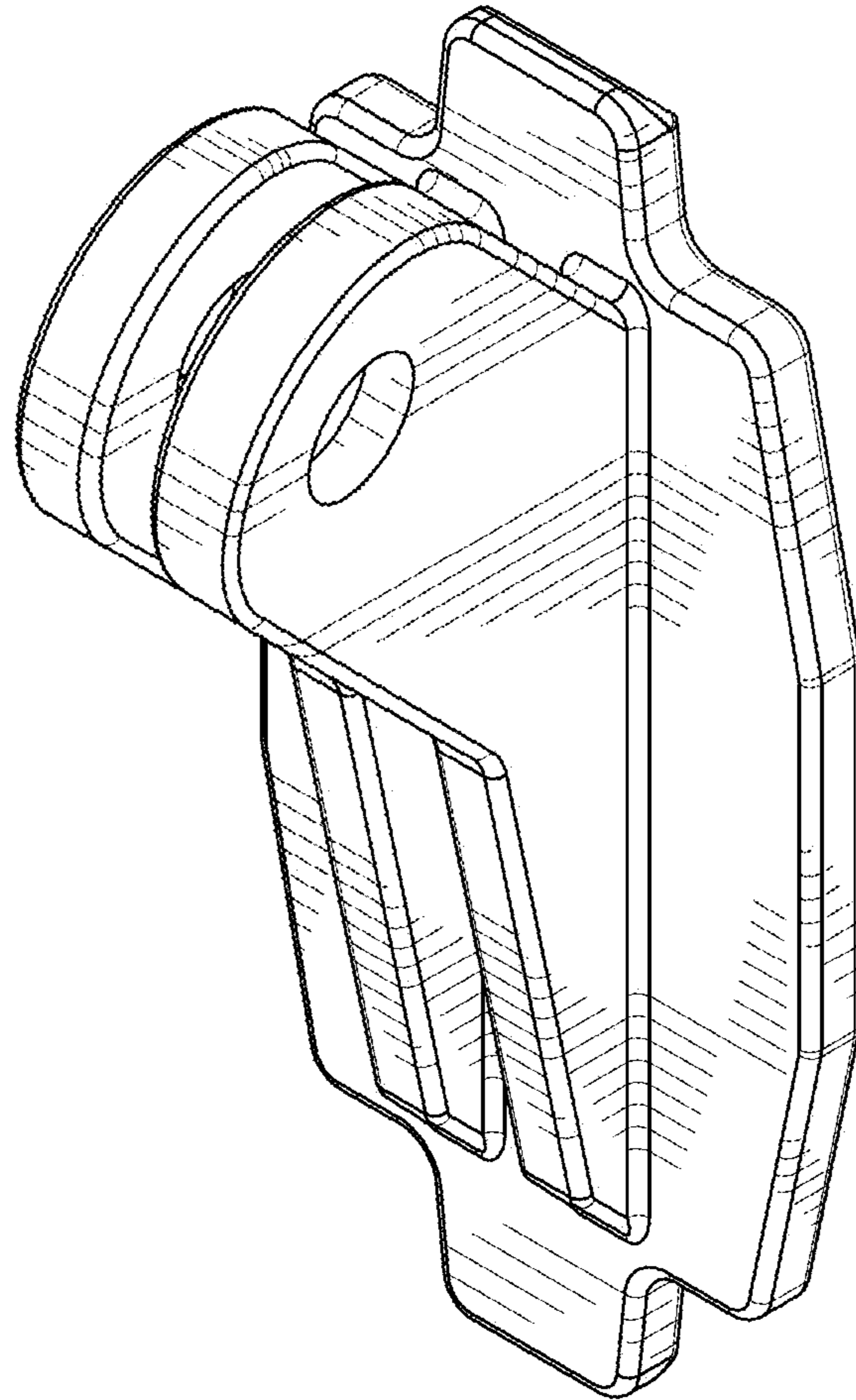


FIG. 1

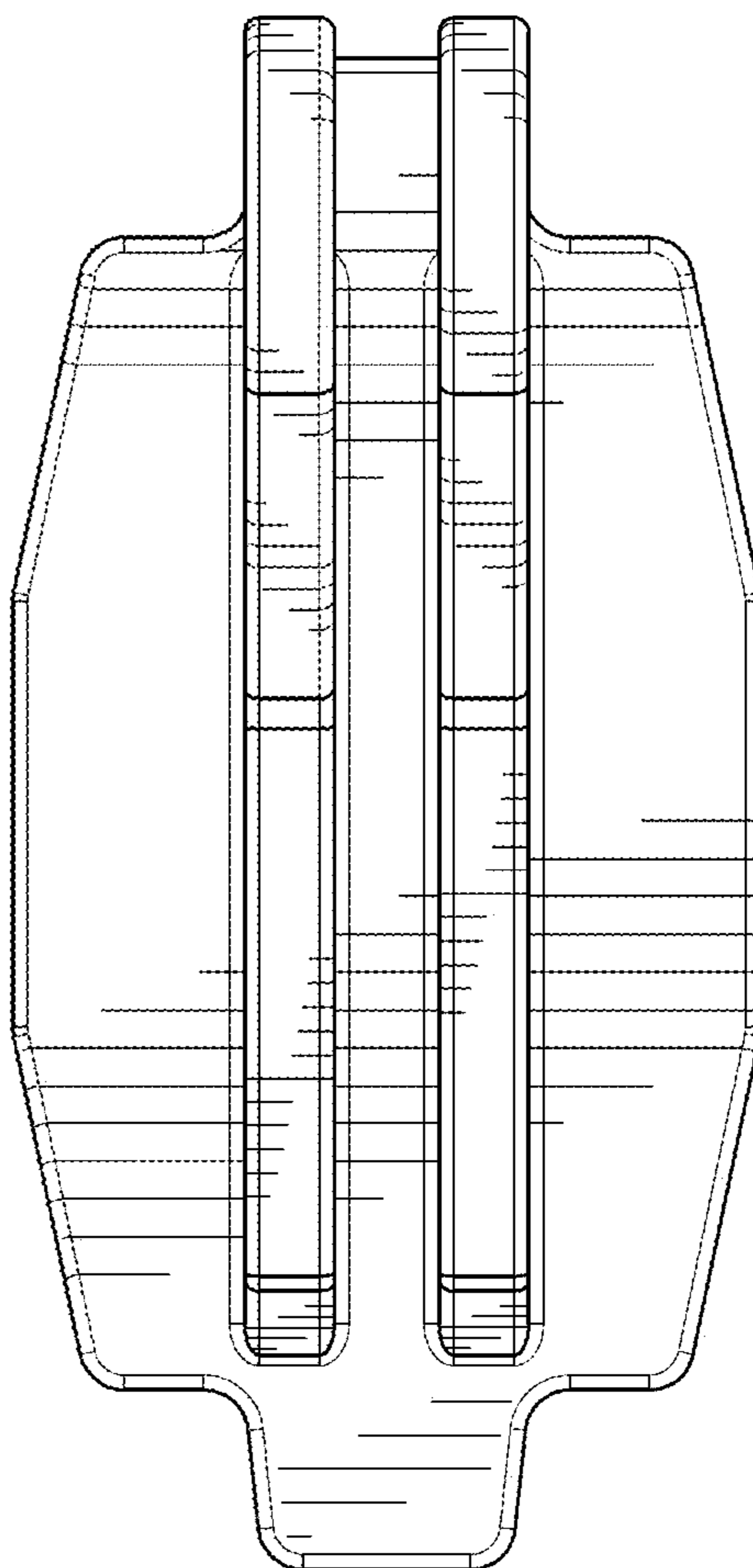


FIG. 2

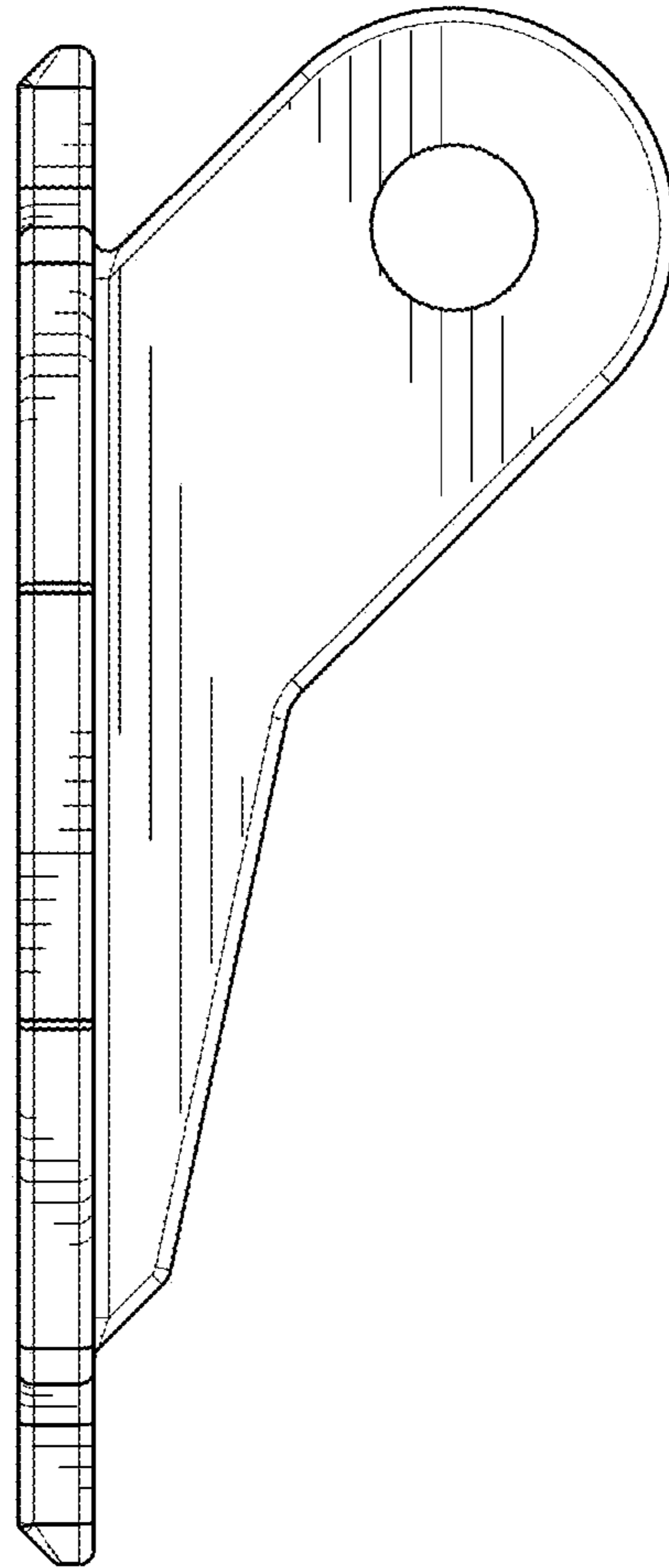


FIG. 3

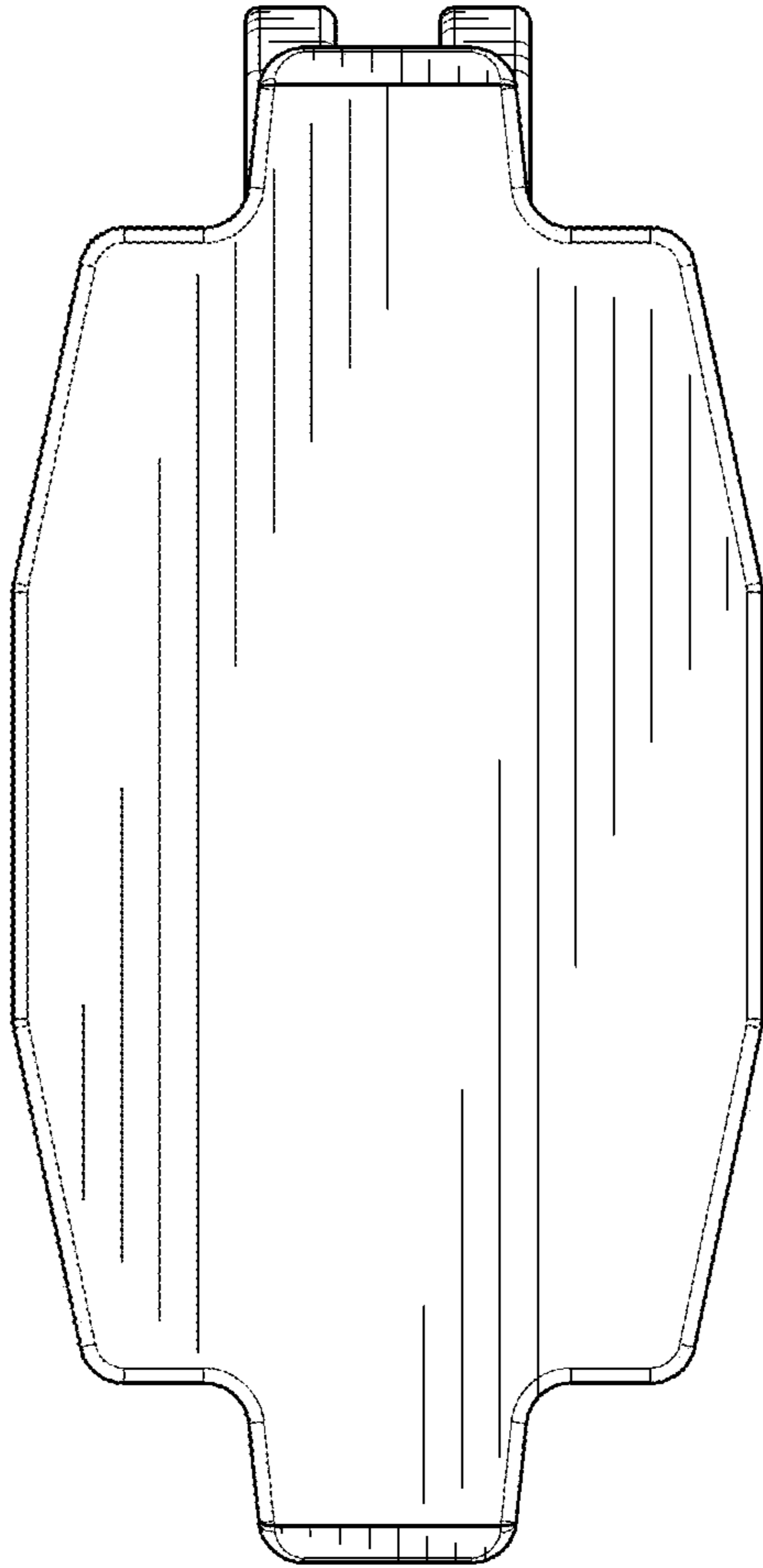


FIG. 4

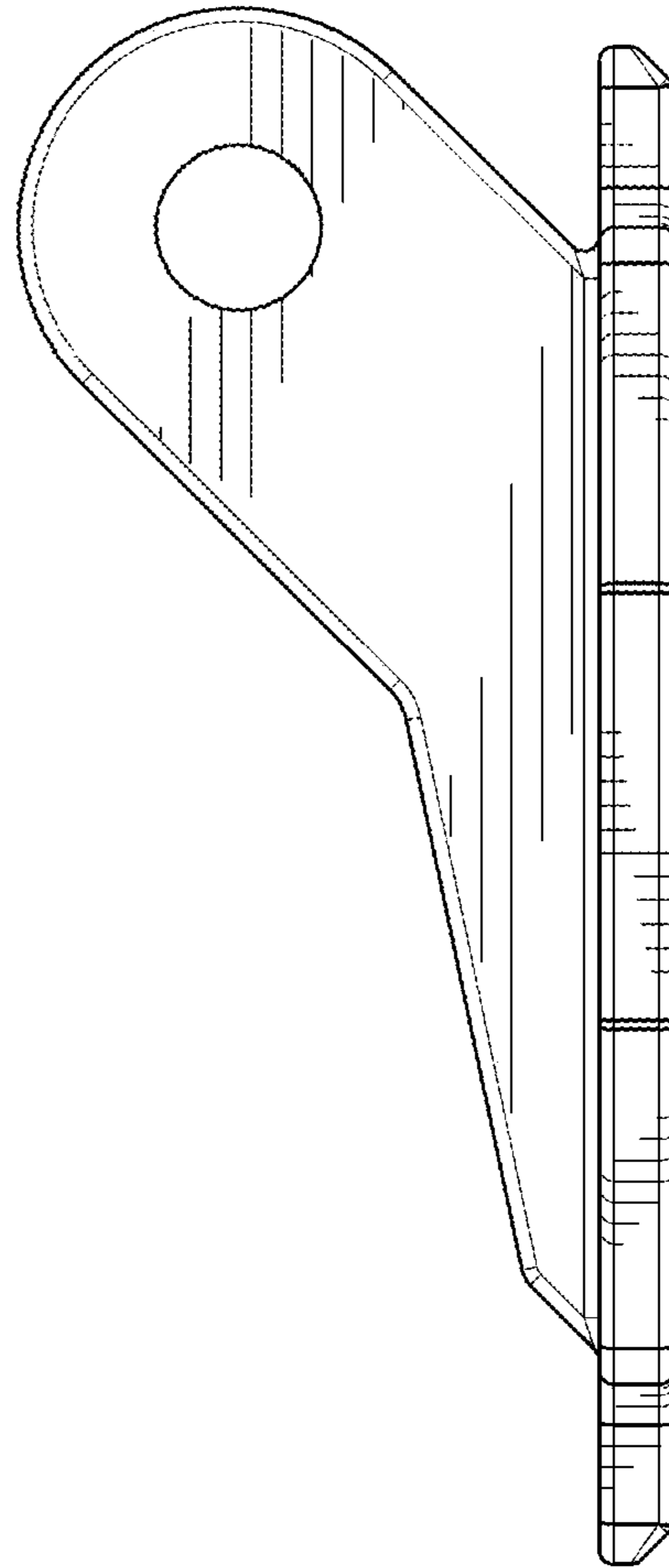


FIG. 5

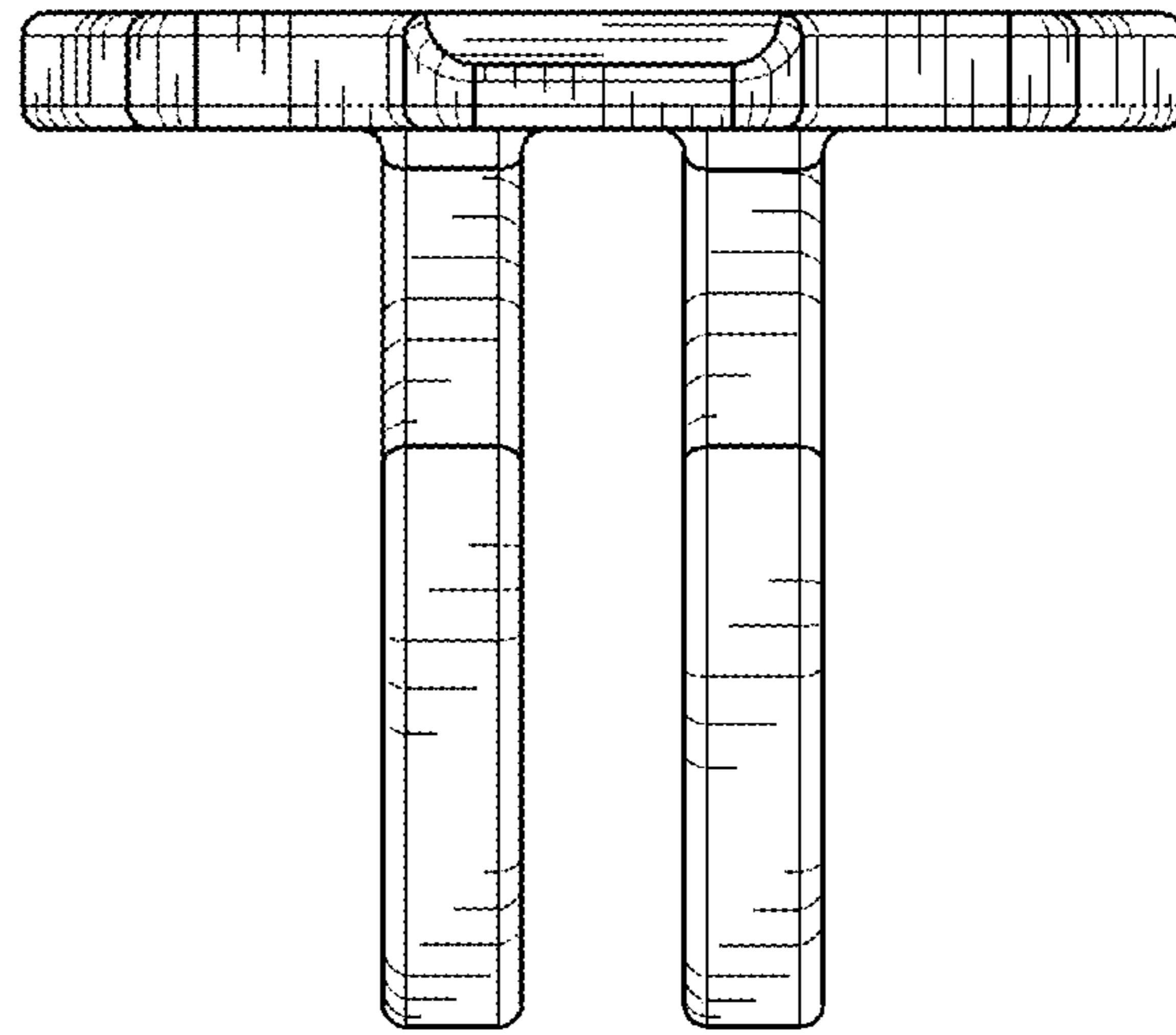


FIG. 6

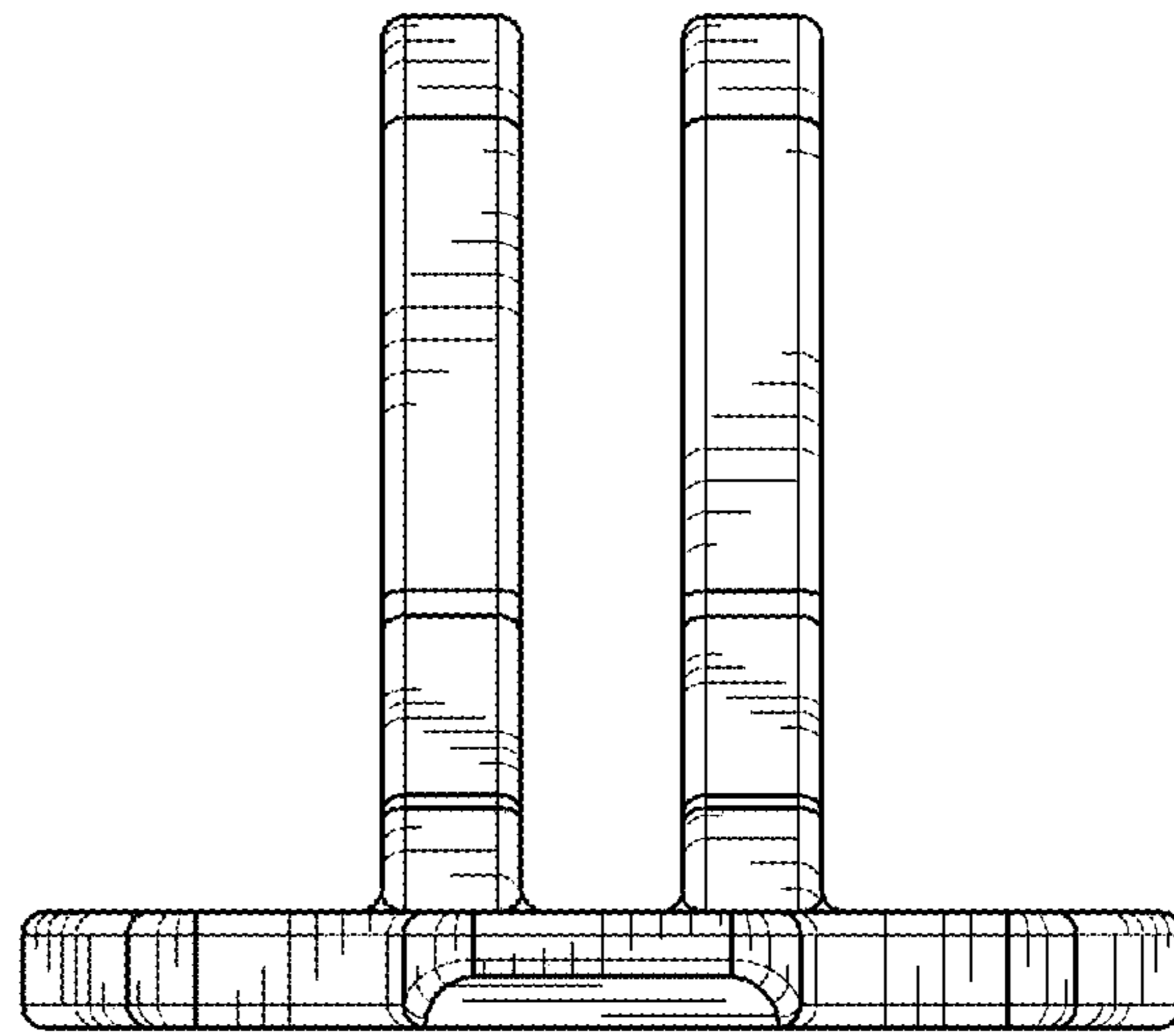


FIG. 7