



US00D884777S

(12) **United States Design Patent** (10) **Patent No.:** **US D884,777 S**
Peterson (45) **Date of Patent:** **** May 19, 2020**

- (54) **PHOTOGRAPHIC LIGHTING APPARATUS**
- (71) Applicant: **Lifetouch Inc.**, Eden Prairie, MN (US)
- (72) Inventor: **Trygve D. Peterson**, Savage, MN (US)
- (73) Assignee: **Shutterfly, LLC**, Roseville, MN (US)
- (**) Term: **15 Years**
- (21) Appl. No.: **29/686,810**
- (22) Filed: **Apr. 8, 2019**

Related U.S. Application Data

- (60) Division of application No. 29/614,307, filed on Aug. 17, 2017, now Pat. No. Des. 852,260, which is a continuation of application No. 15/435,377, filed on Feb. 17, 2017, now Pat. No. 10,274,811.
- (51) **LOC (12) Cl.** **16-01**
- (52) **U.S. Cl.**
USPC **D16/239**
- (58) **Field of Classification Search**
USPC D26/1, 24, 51, 52, 60, 63, 67, 138, 141,
D26/145; D16/239, 240, 242
CPC .. G03B 21/20; G03B 21/2013; G03B 15/041;
G03B 15/07; G03B 15/042; G03B 15/03;
G03B 15/05; G02B 15/02
See application file for complete search history.

(56) **References Cited**

U.S. PATENT DOCUMENTS

3,763,366	A	10/1973	Bahnsen
3,941,922	A	3/1976	Blount
4,690,637	A	9/1987	Brower
7,896,509	B2	3/2011	Gallagher
8,128,247	B2	3/2012	Portmann
8,376,602	B2	2/2013	Klipstein

Primary Examiner — Brian N. Vinson
(74) *Attorney, Agent, or Firm* — Merchant & Gould P.C.

(57) **CLAIM**

The ornamental design for a photographic lighting apparatus, as shown and described.

DESCRIPTION

FIG. 1 is a front isometric view of a first embodiment of the photographic lighting apparatus;
 FIG. 2 is a rear isometric view thereof;
 FIG. 3 is front view thereof;
 FIG. 4 is a rear view thereof;
 FIG. 5 is a right side view thereof;
 FIG. 6 is a left side view thereof;
 FIG. 7 is a top view thereof;
 FIG. 8 is a bottom view thereof;
 FIG. 9 is a cross-sectional view taken along line 9-9 shown in FIG. 7;
 FIG. 10 is a cross-sectional view taken along line 10-10 shown in FIG. 5;
 FIG. 11 is a front isometric view of a second embodiment of the photographic lighting apparatus;
 FIG. 12 is a rear isometric view thereof;
 FIG. 13 is front view thereof;
 FIG. 14 is a rear view thereof;
 FIG. 15 is a left side view thereof;
 FIG. 16 is a right side view thereof;
 FIG. 17 is a top view thereof;
 FIG. 18 is a bottom view thereof;
 FIG. 19 is a cross-sectional view taken along line 19-19 shown in FIG. 17; and,
 FIG. 20 is a cross-sectional view taken along line 20-20 shown in FIG. 15.

The broken lines in the drawings represent portions of the photographic lighting apparatus that form no part of the claimed design. The area between the sets of wavy broken lines forms no part of the claimed design.

1 Claim, 20 Drawing Sheets

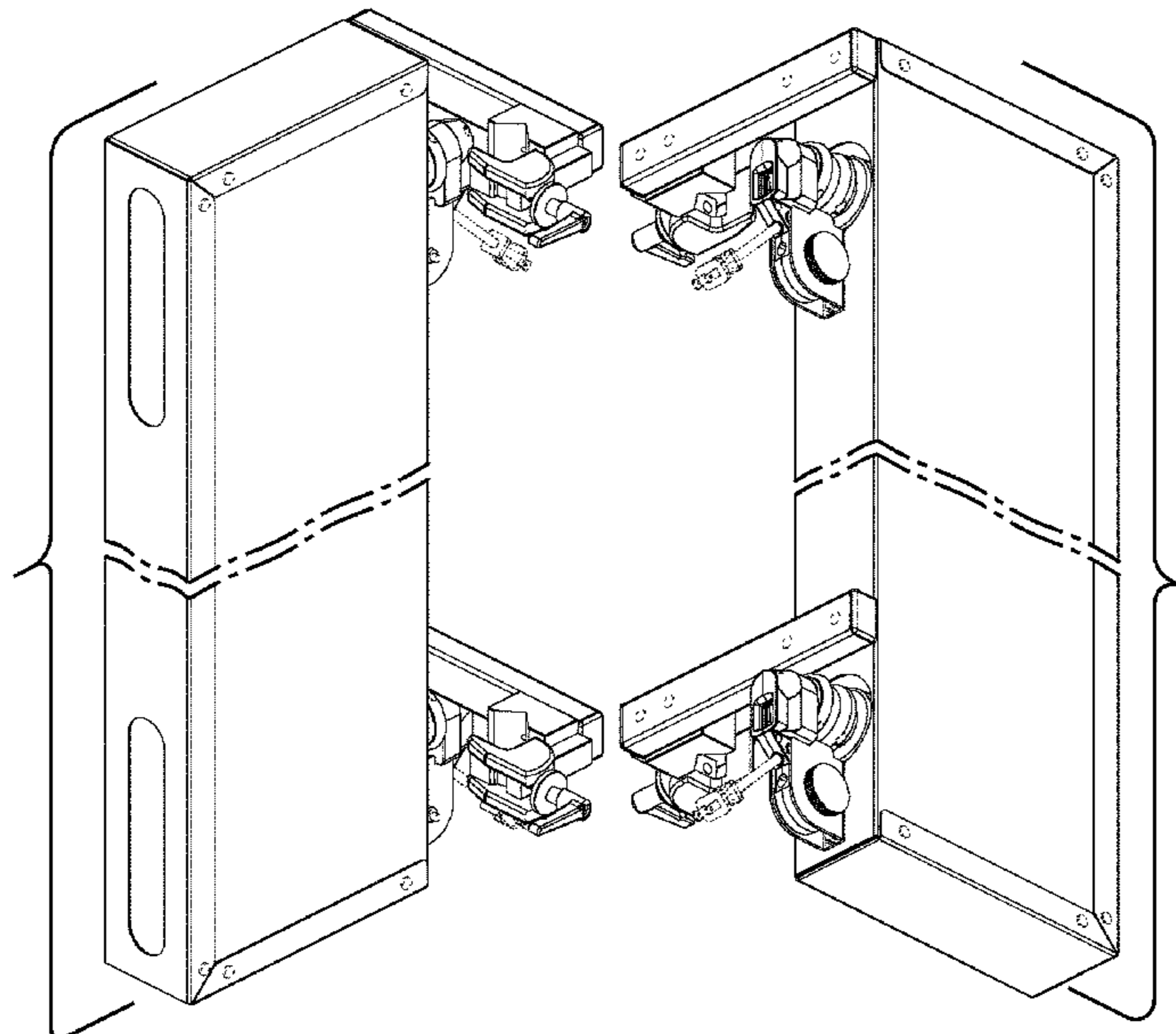


FIG. 1

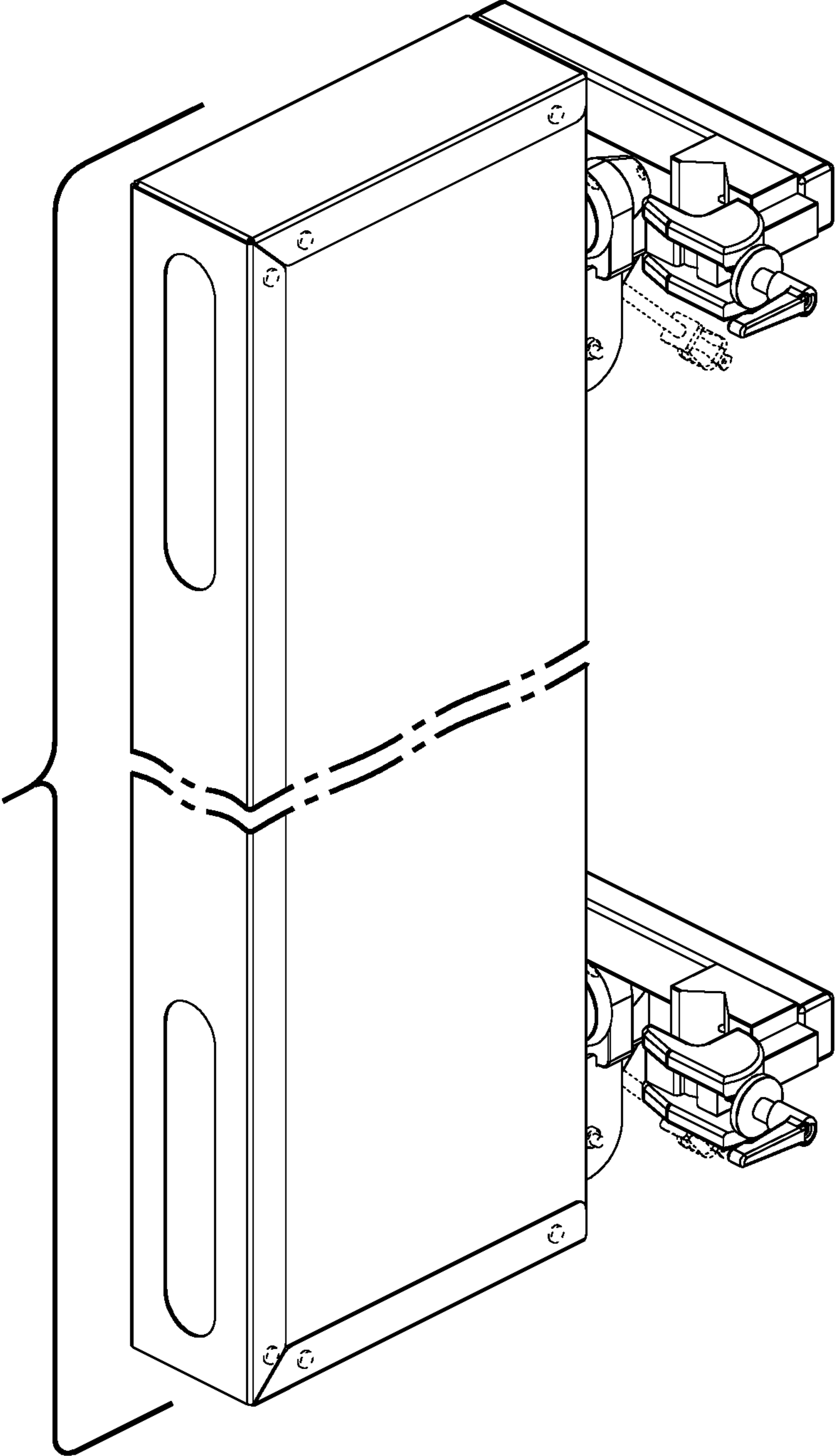


FIG. 2

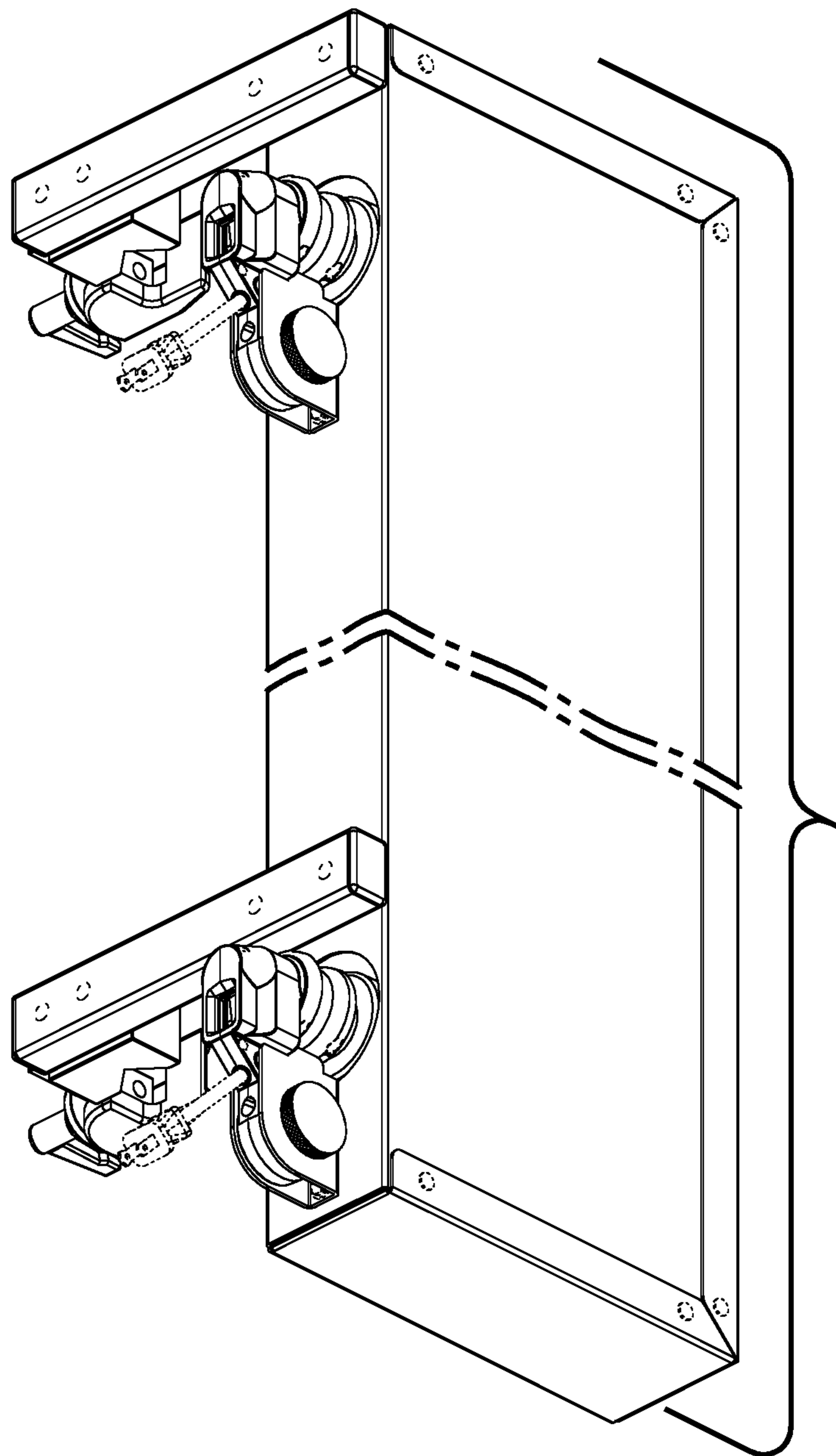


FIG. 3

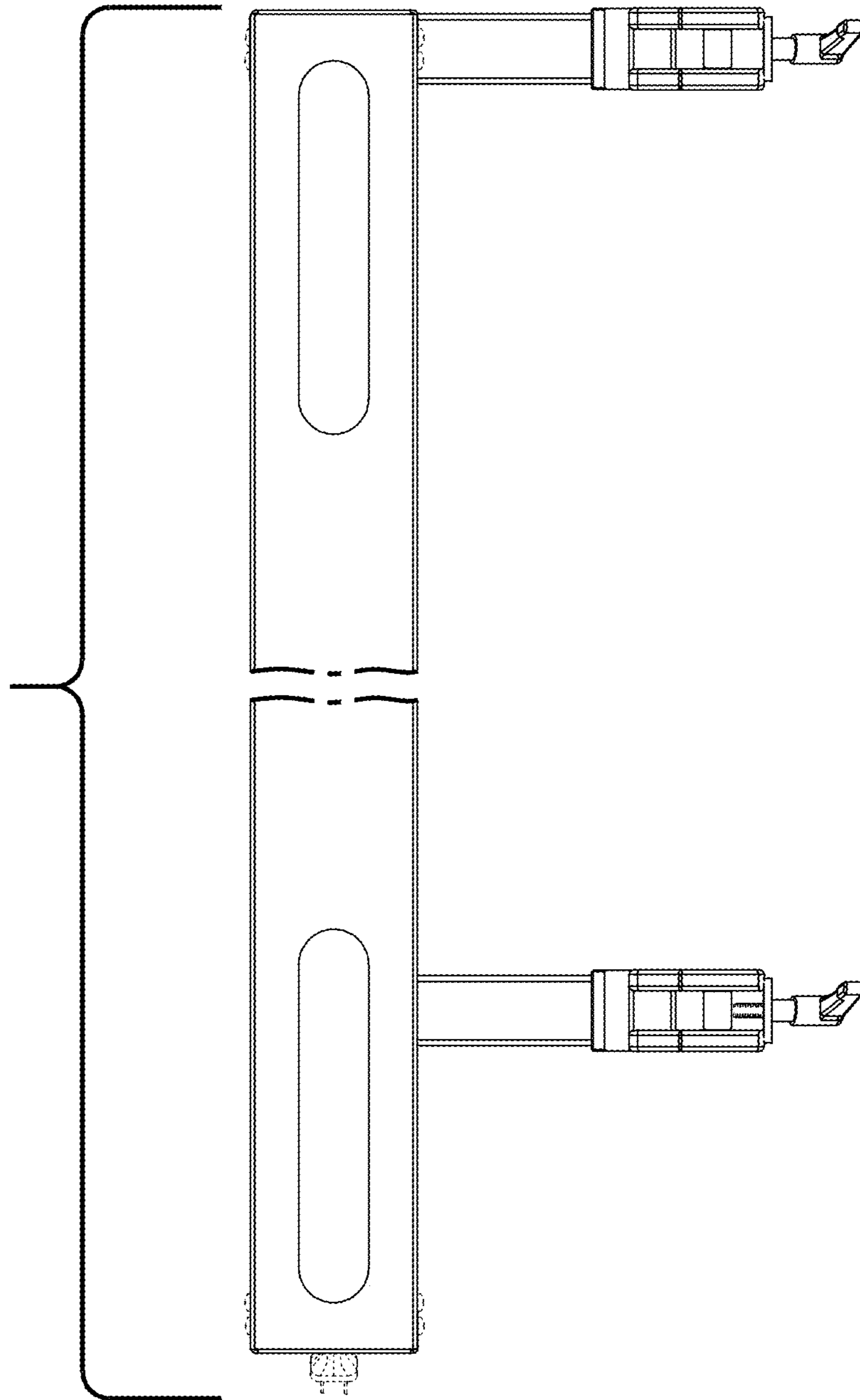


FIG. 4

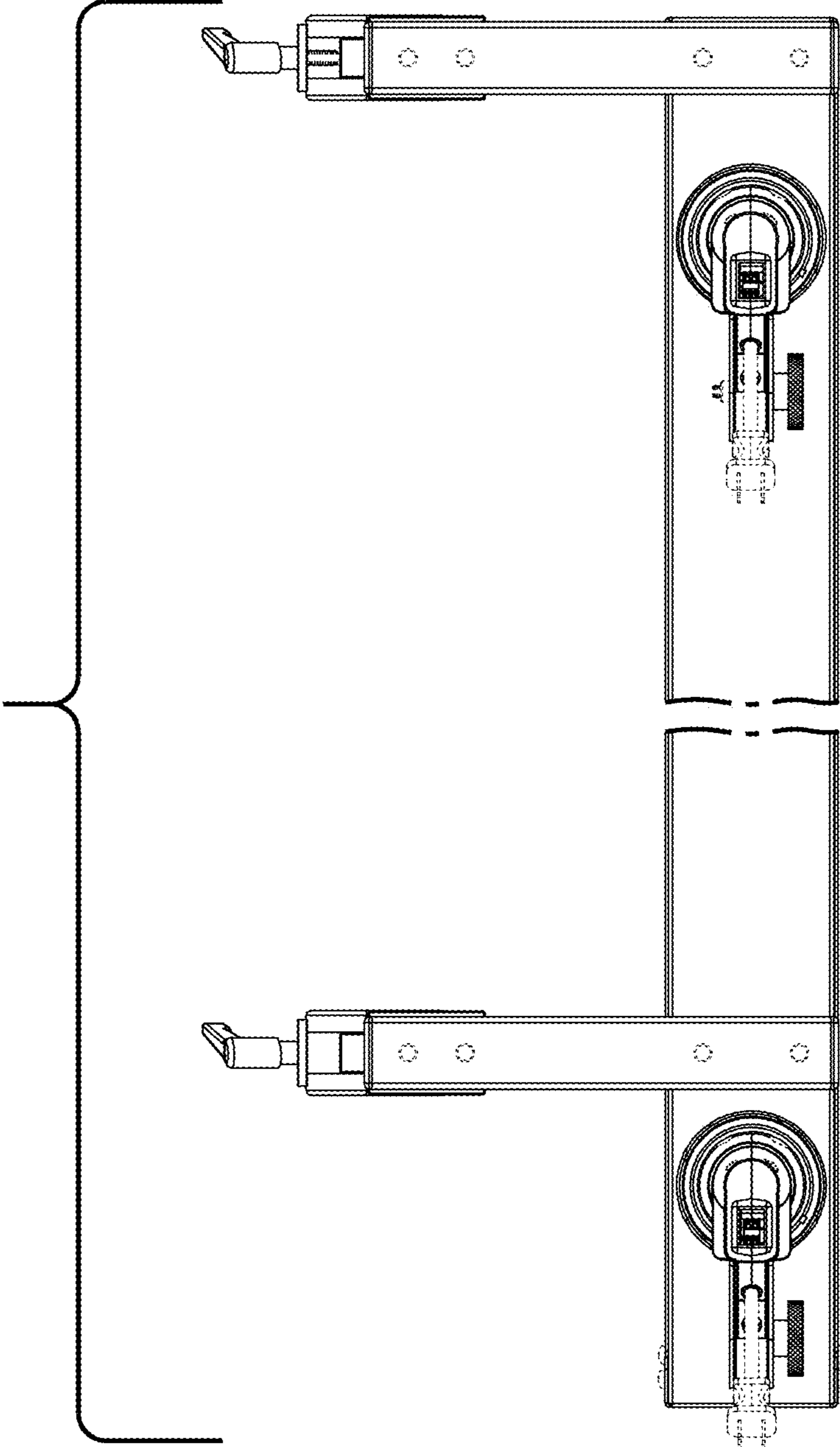


FIG. 5

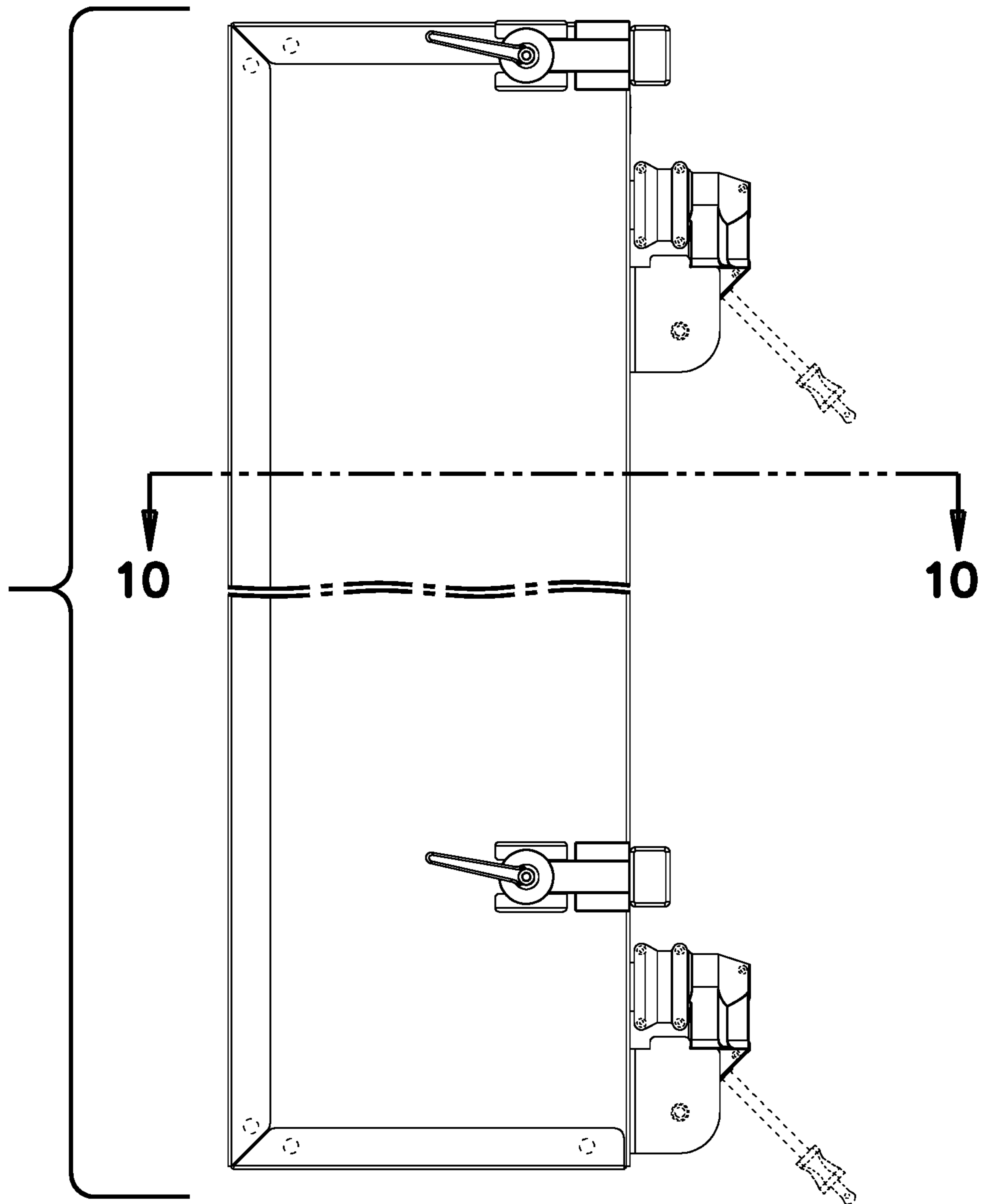


FIG. 6

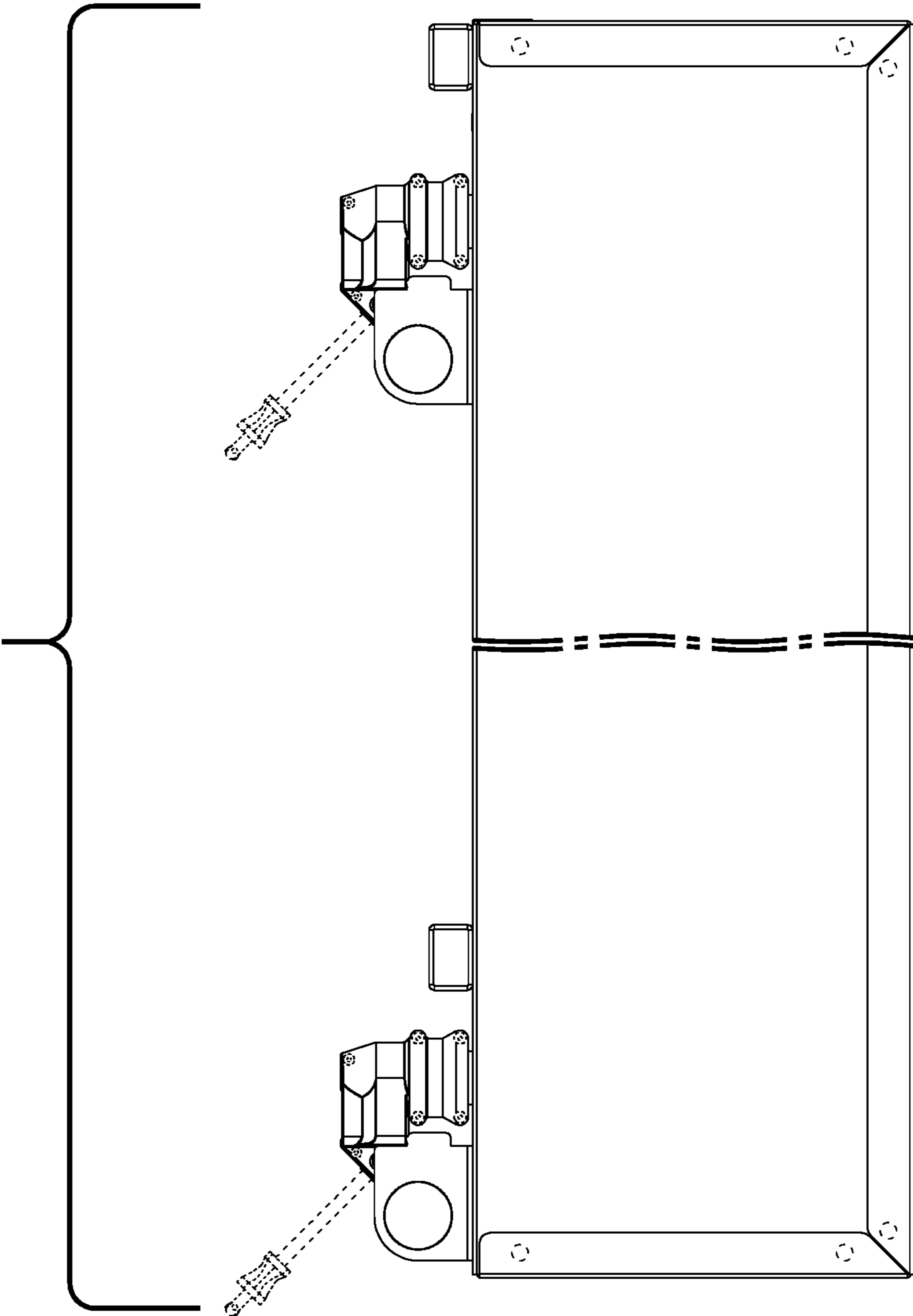


FIG. 7

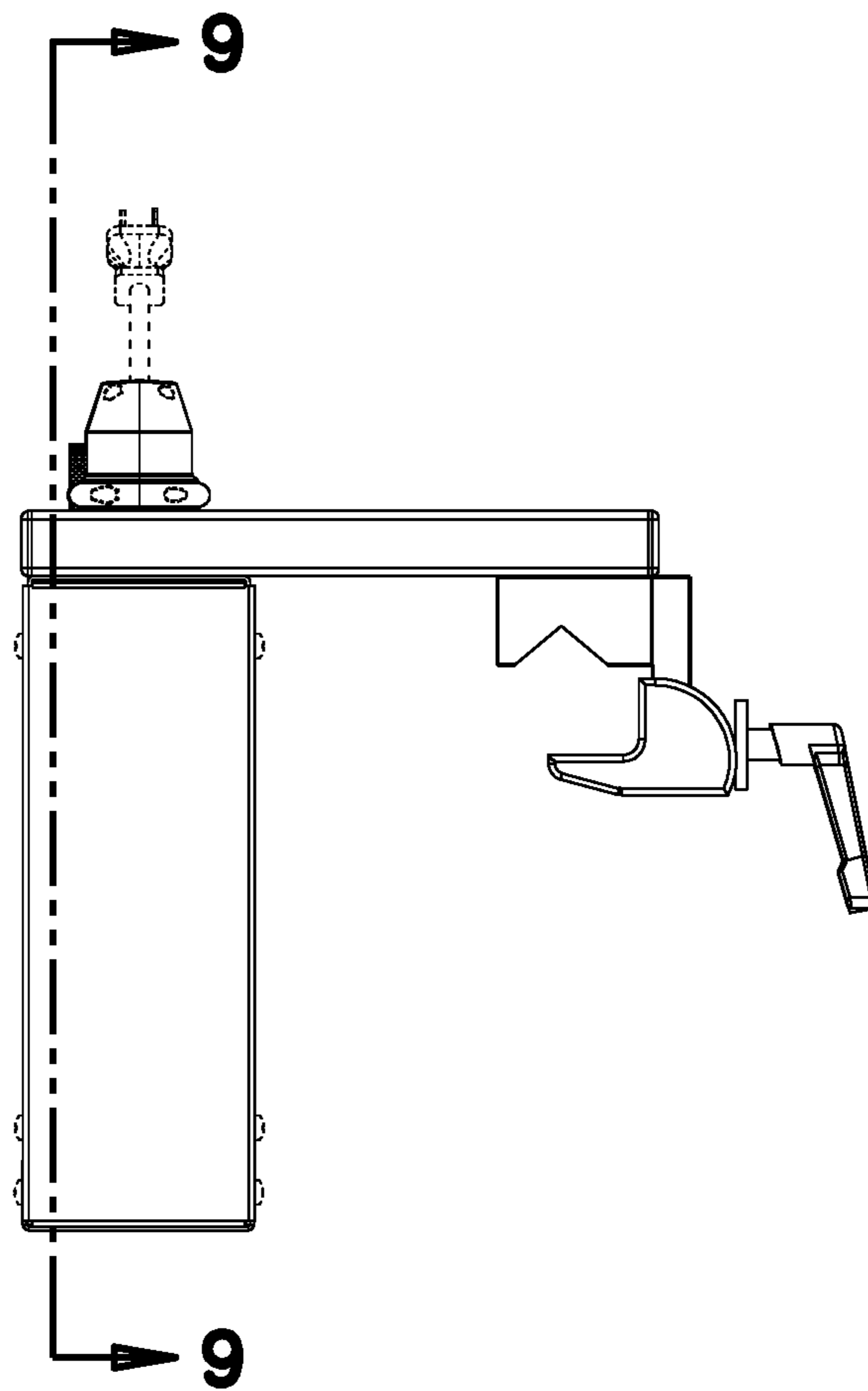


FIG. 8

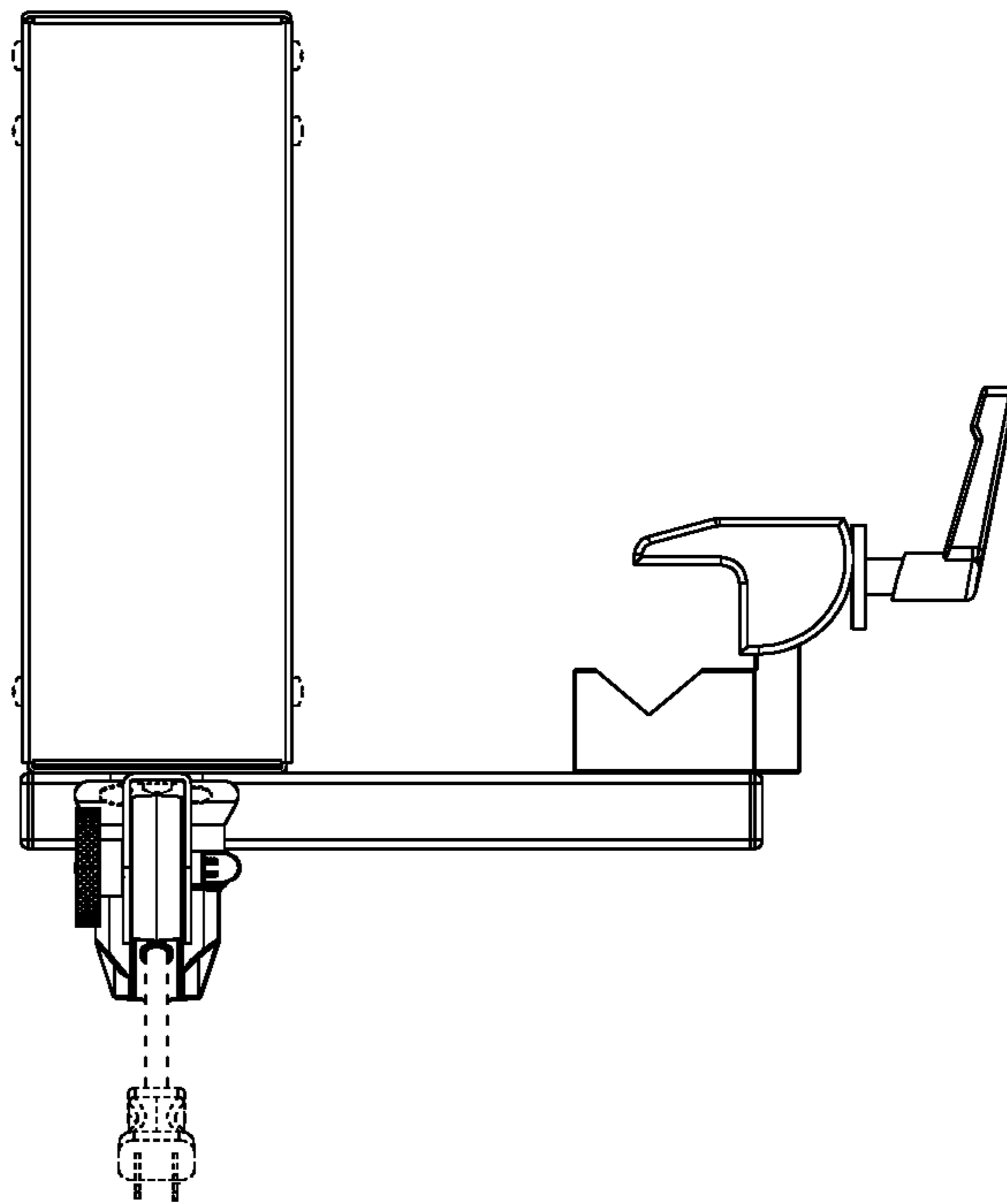


FIG. 9

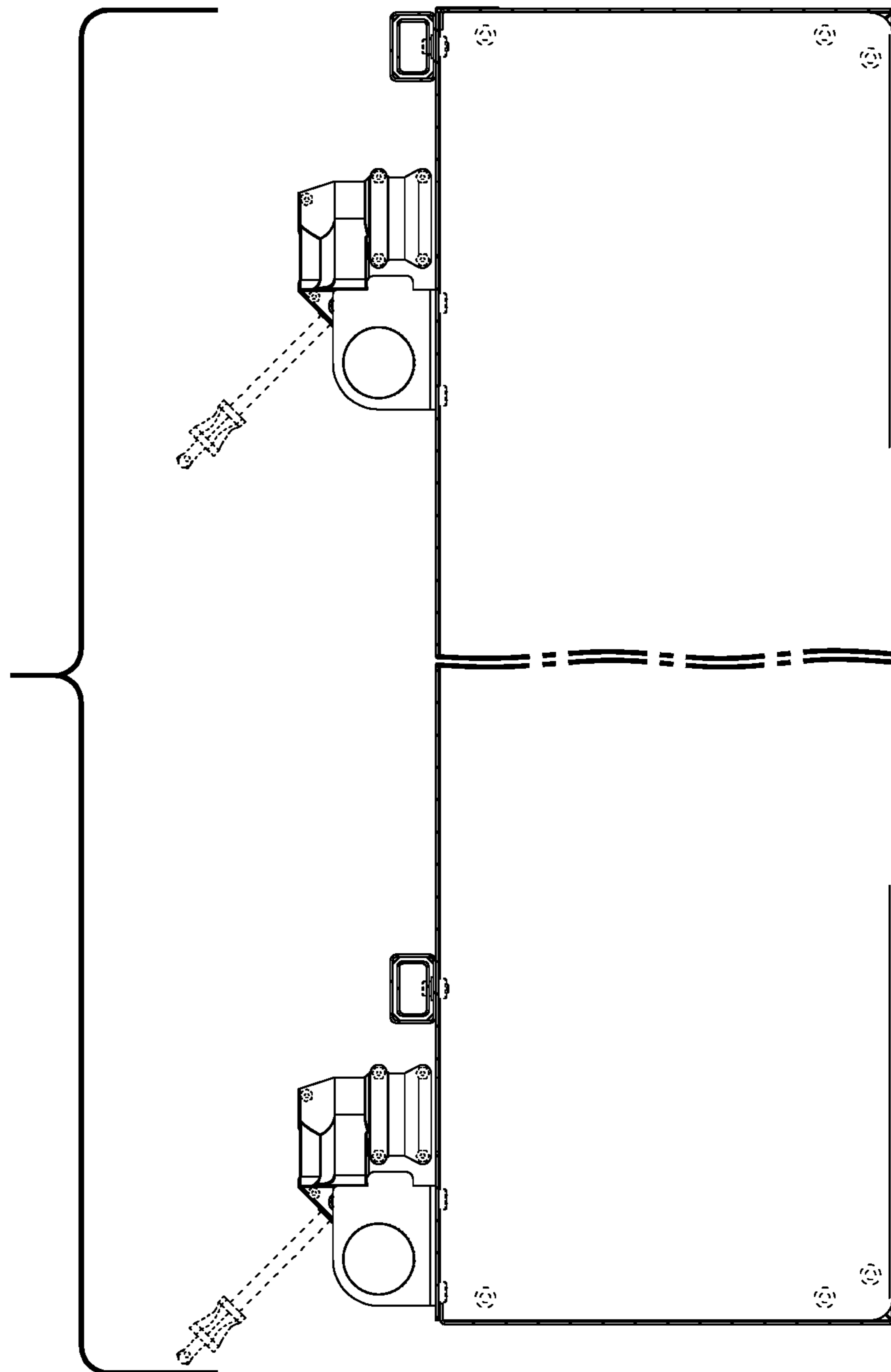


FIG. 10

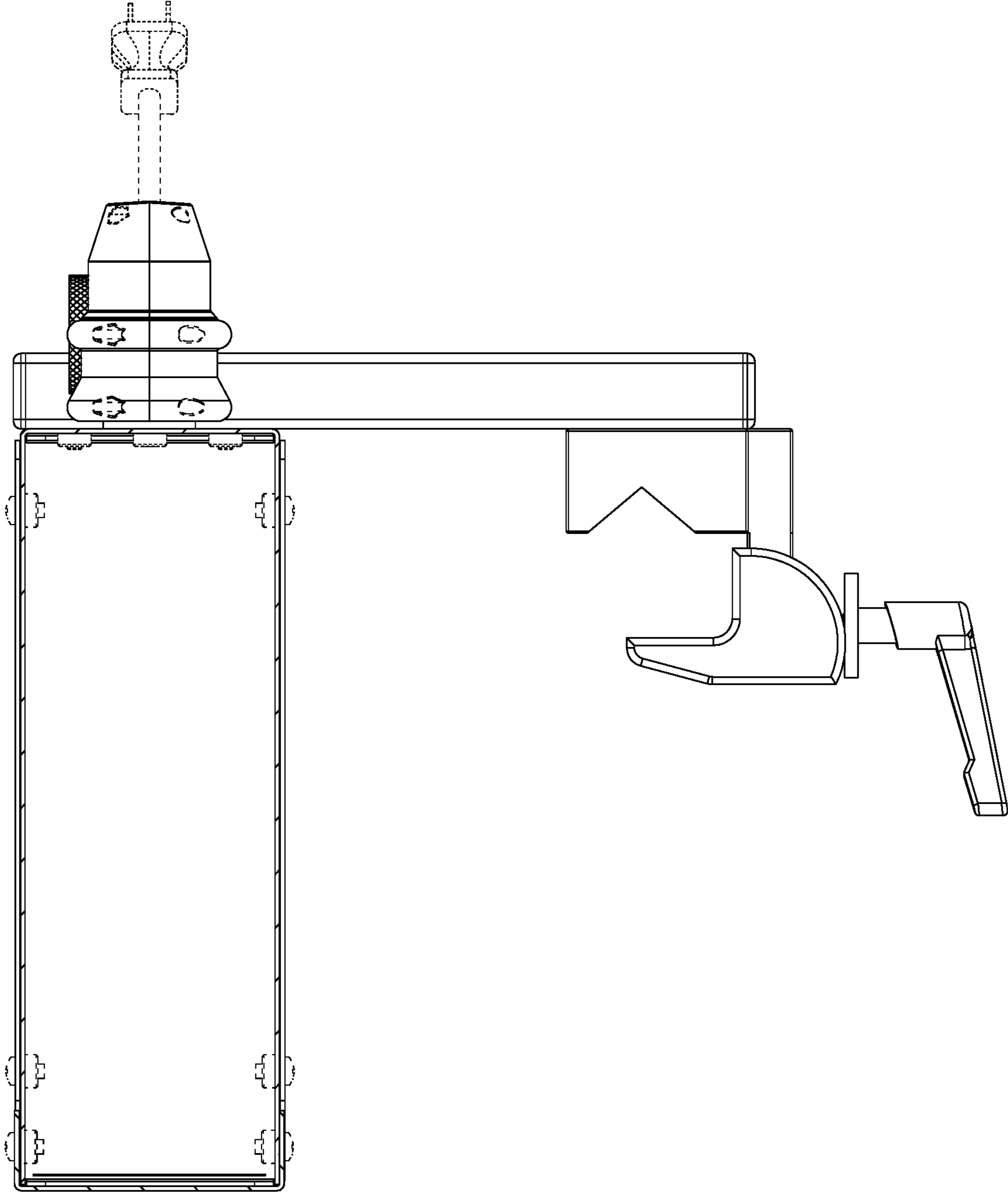


FIG. 11

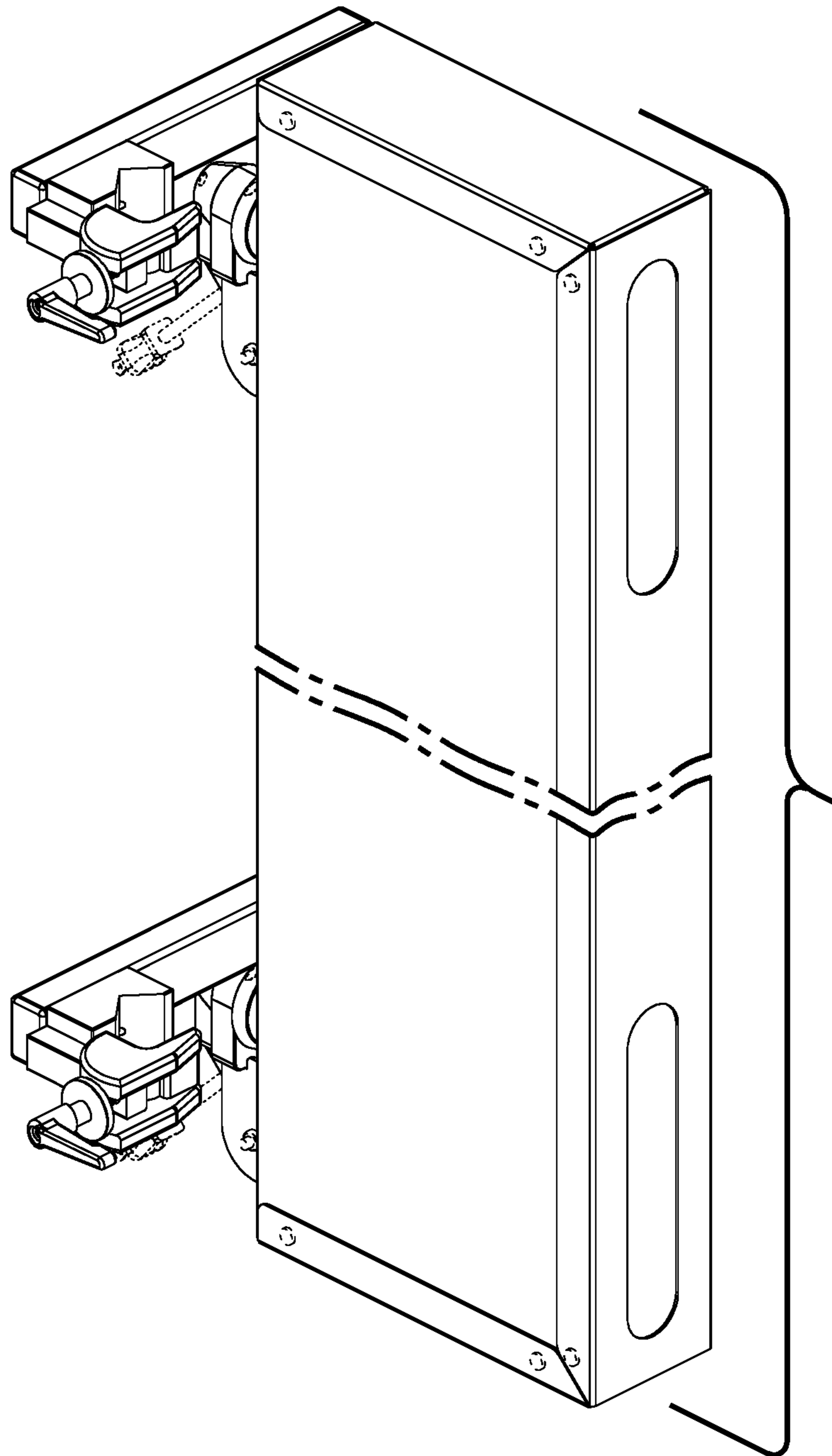


FIG. 12

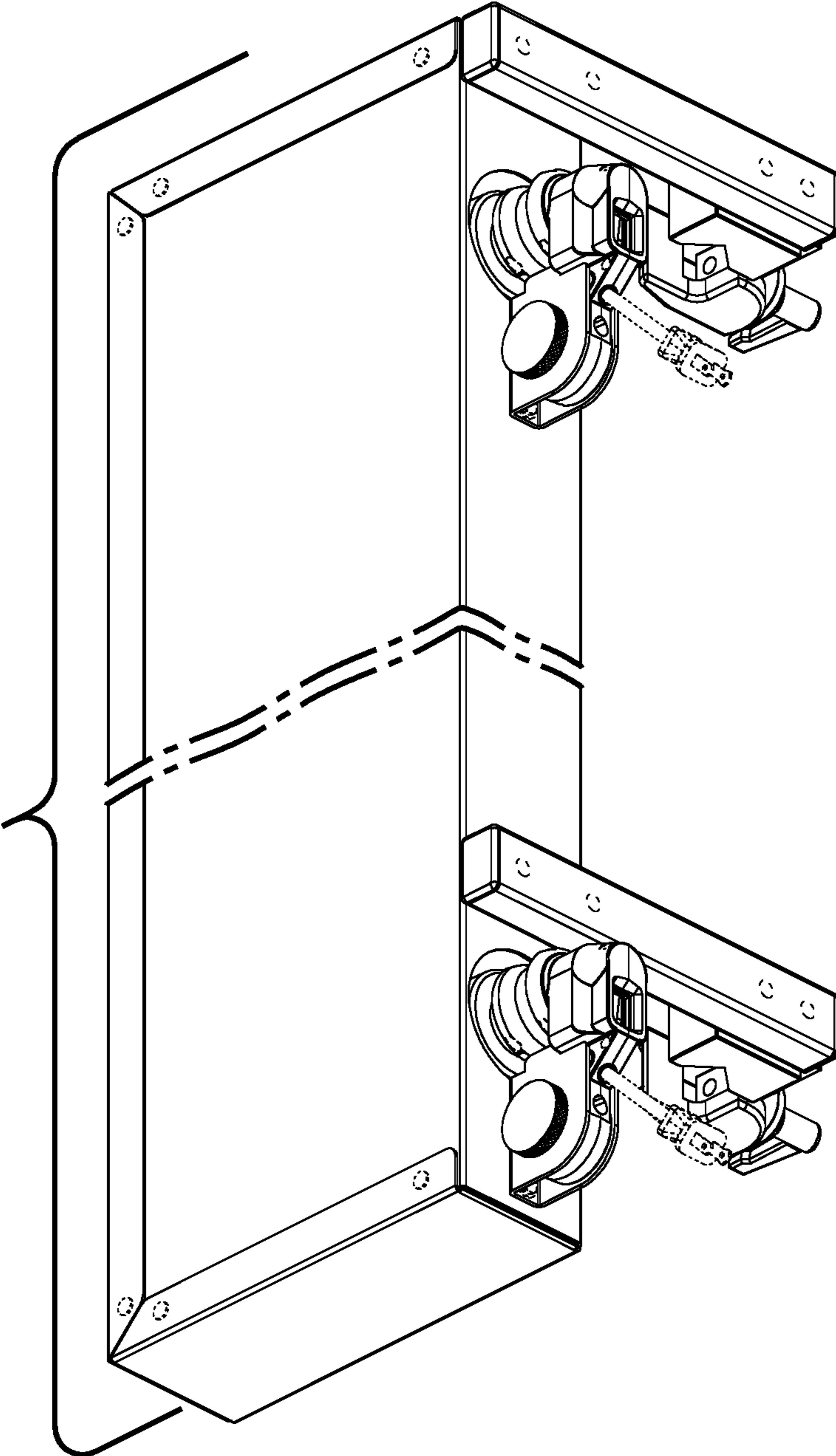


FIG. 13

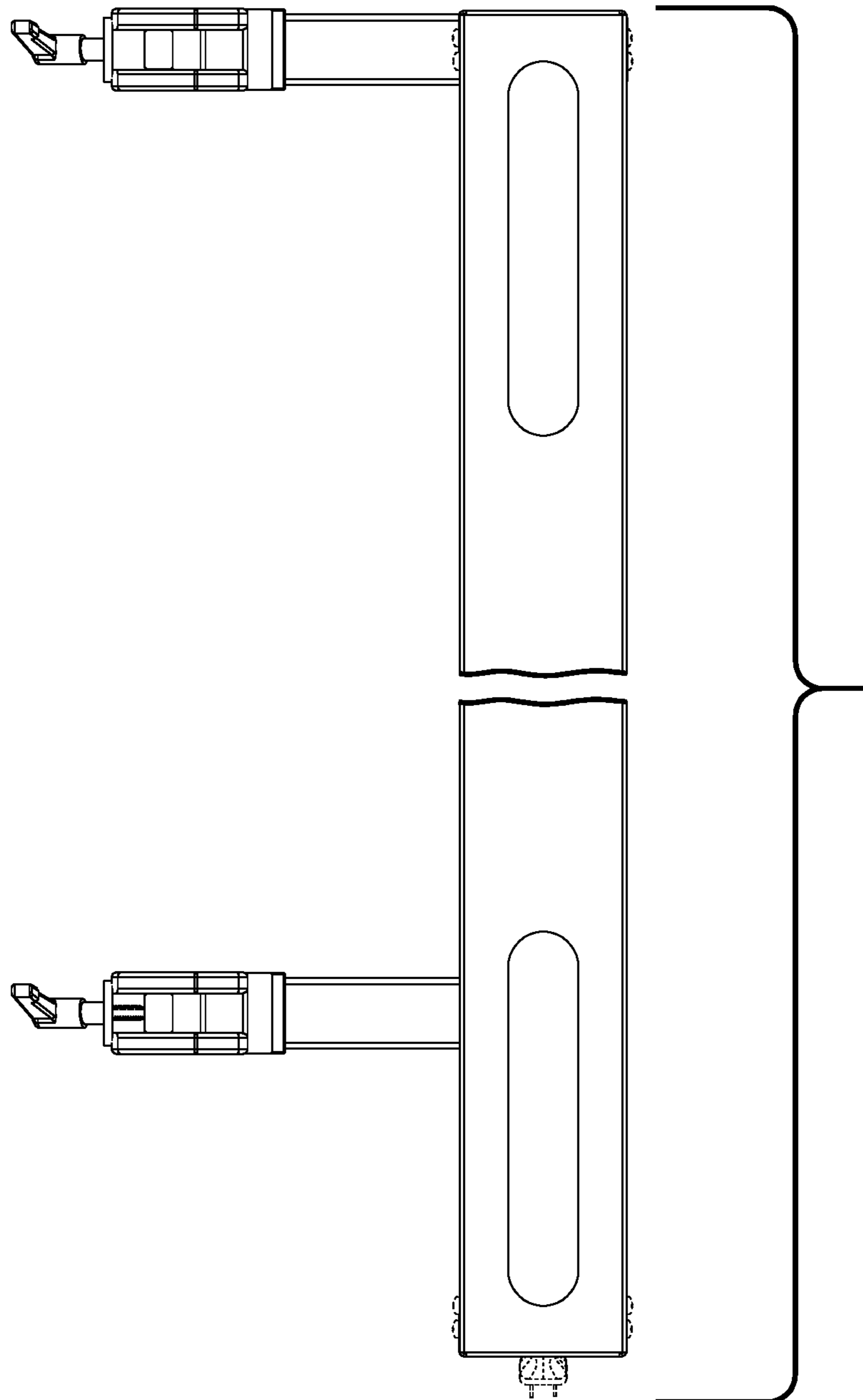


FIG. 14

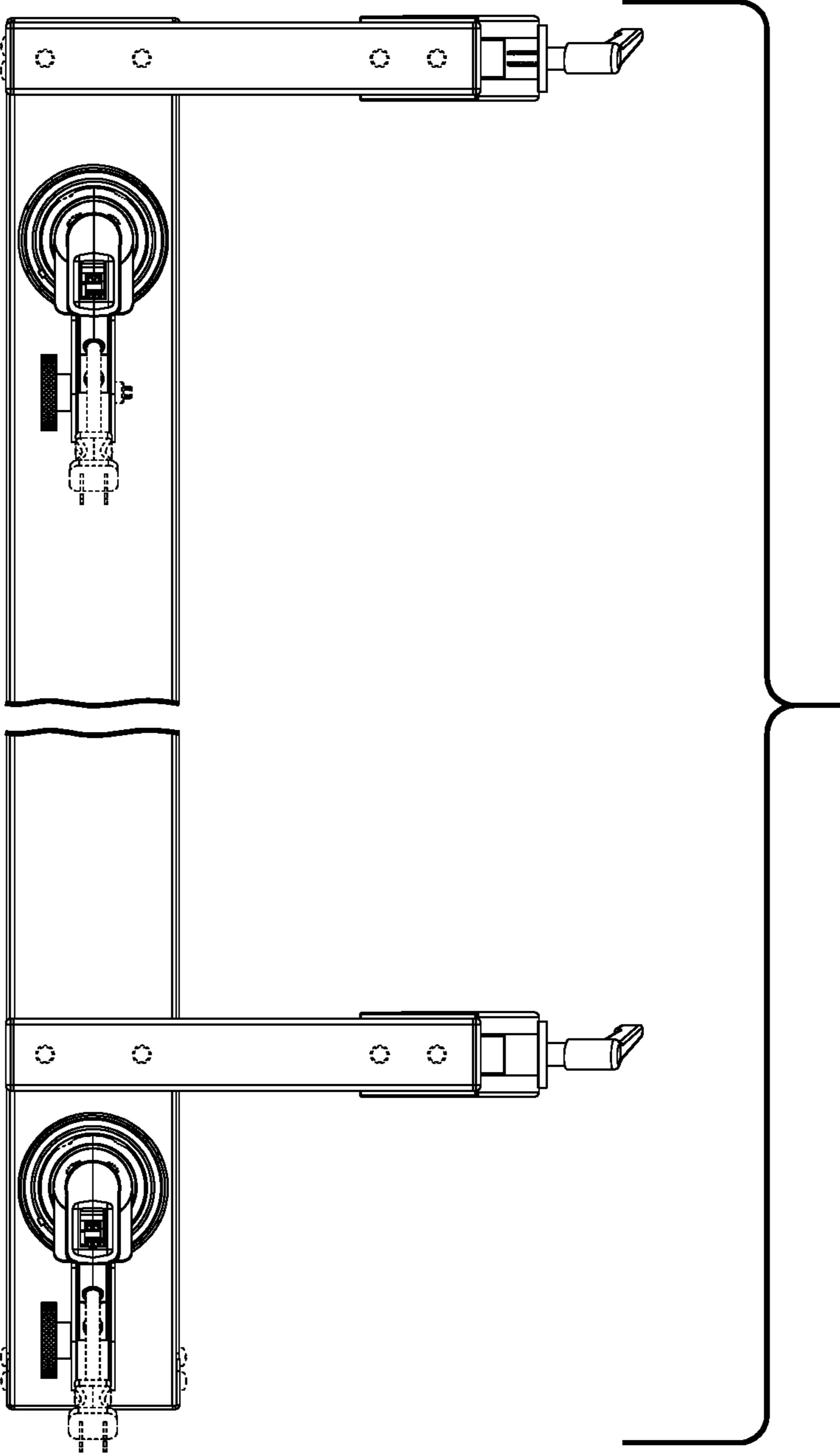


FIG. 15

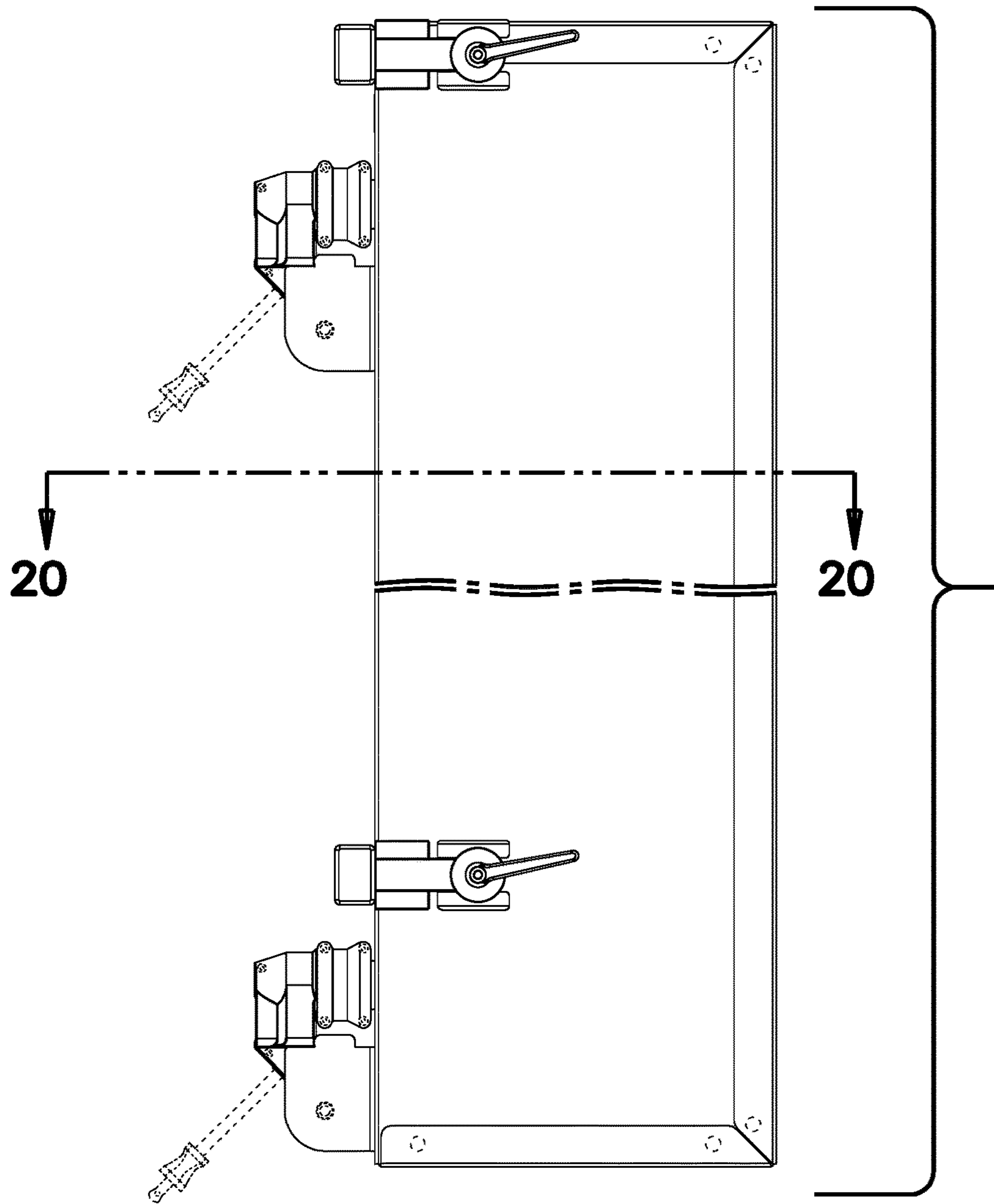


FIG. 16

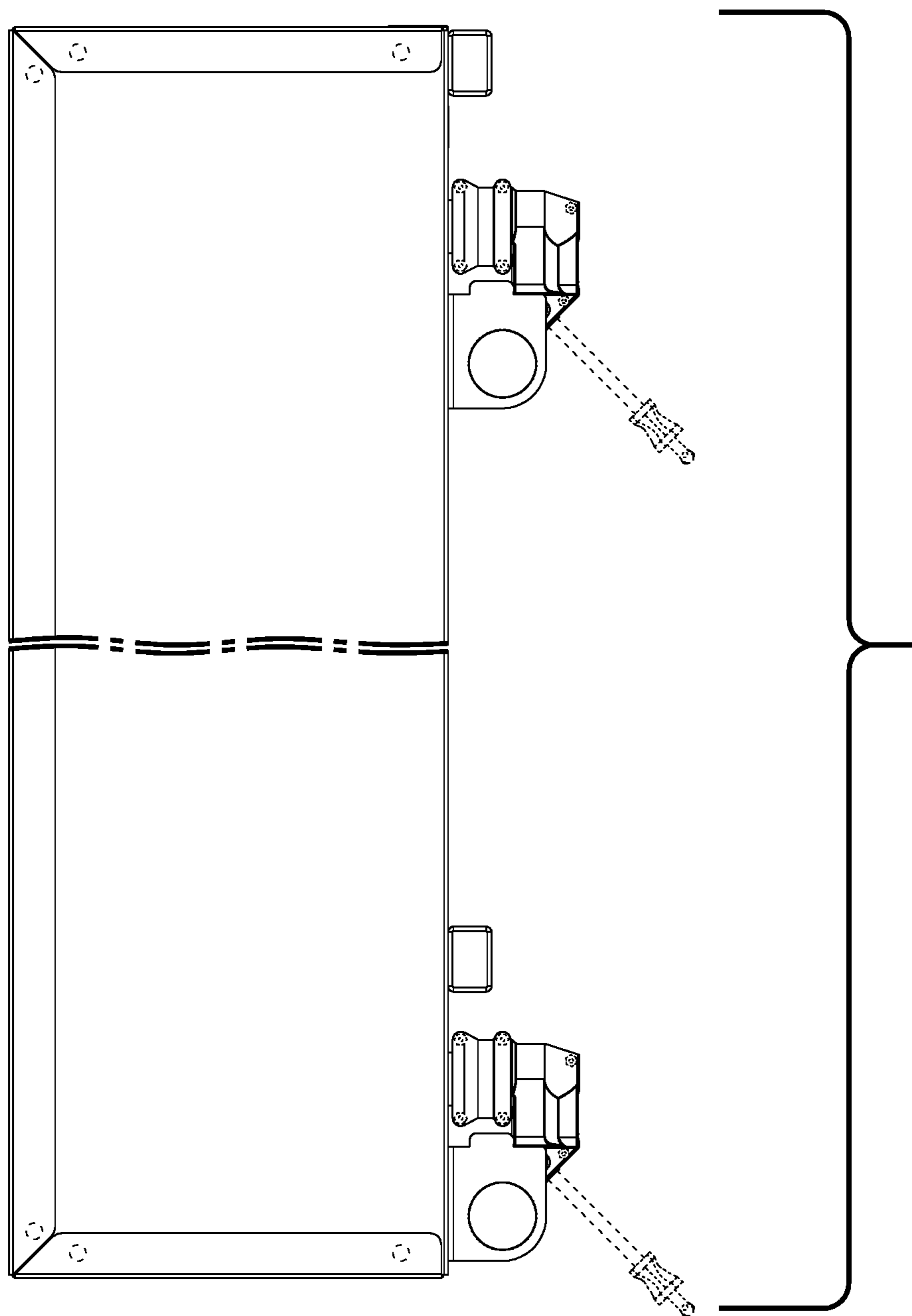


FIG. 17

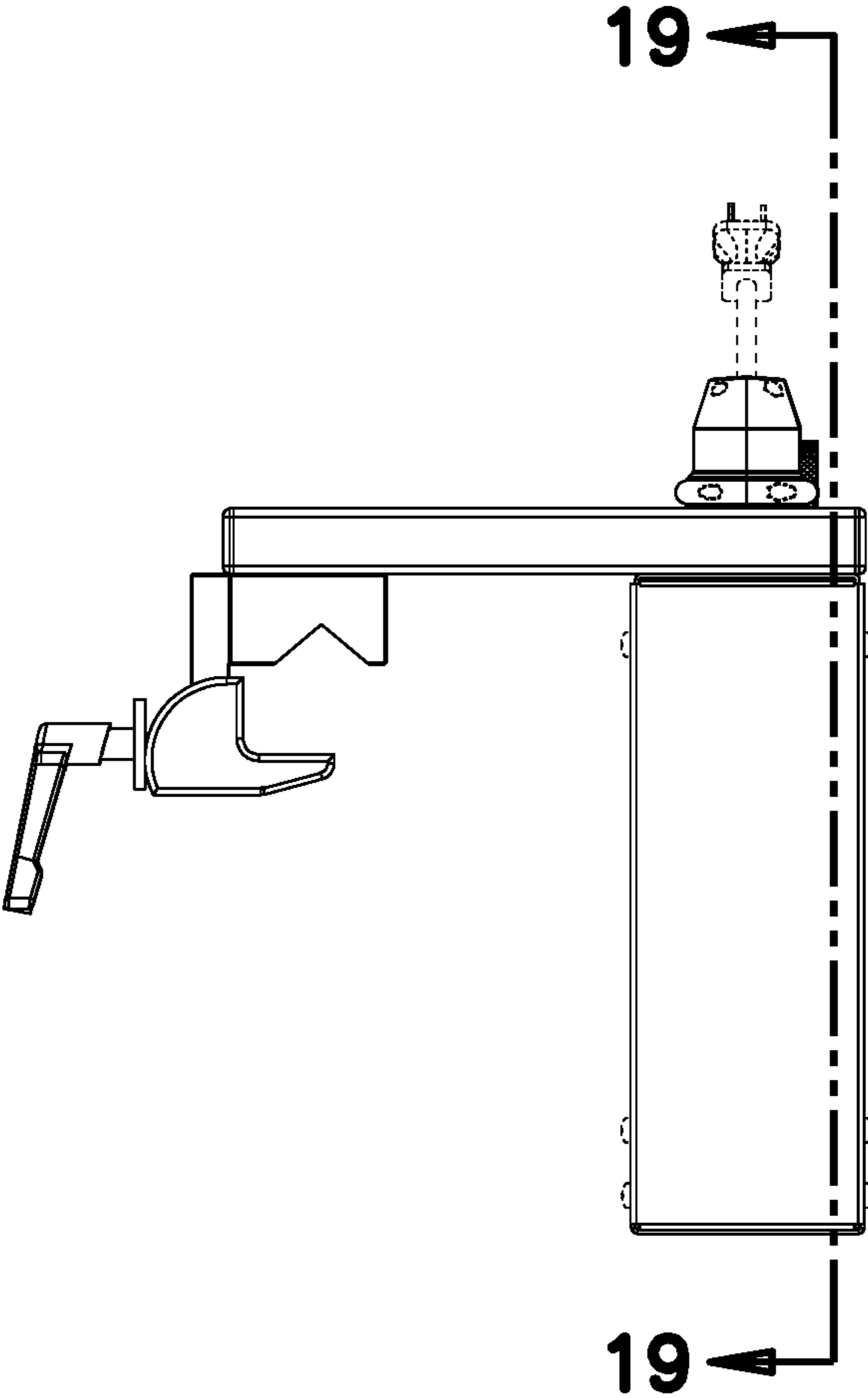


FIG. 18

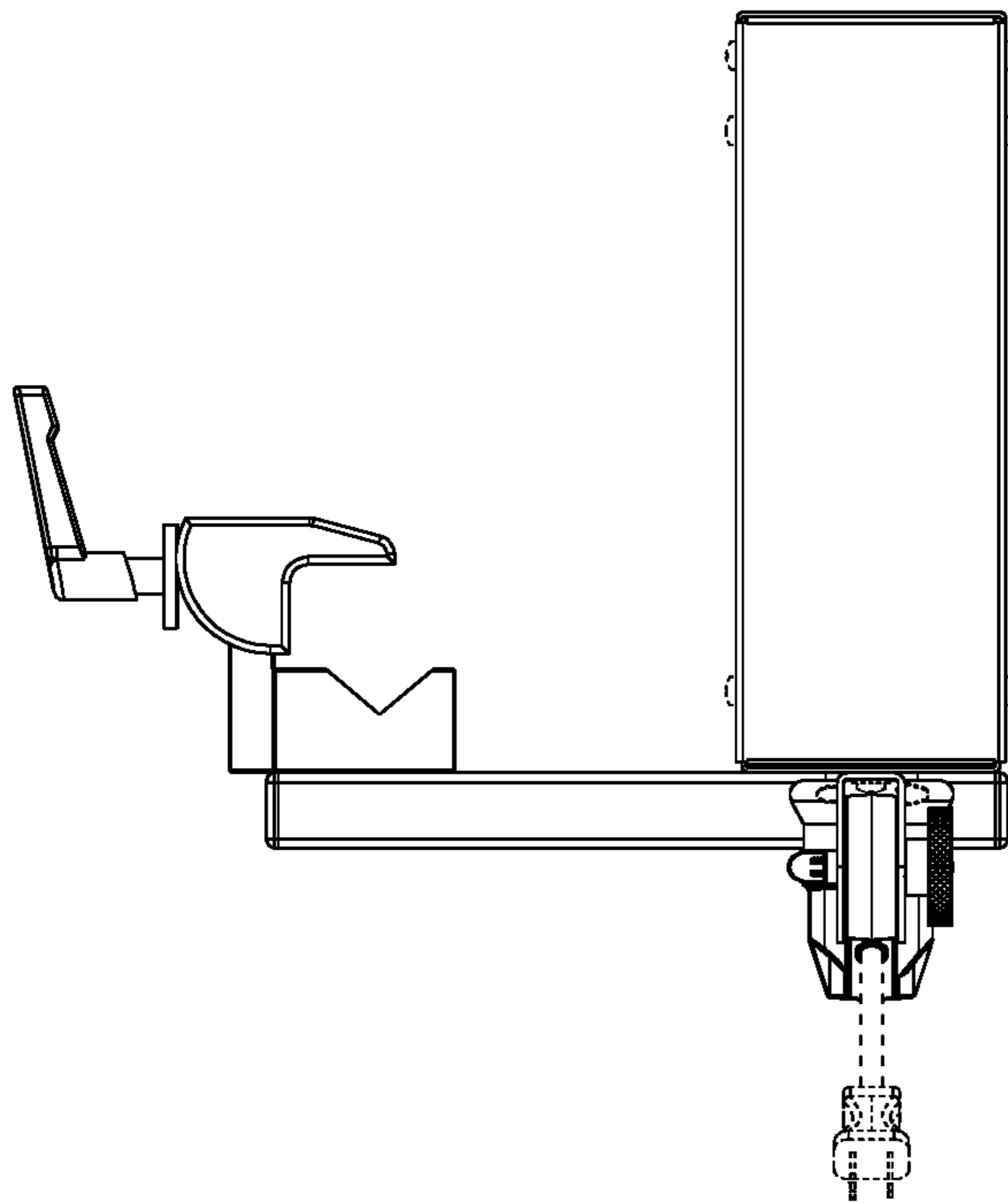


FIG. 19

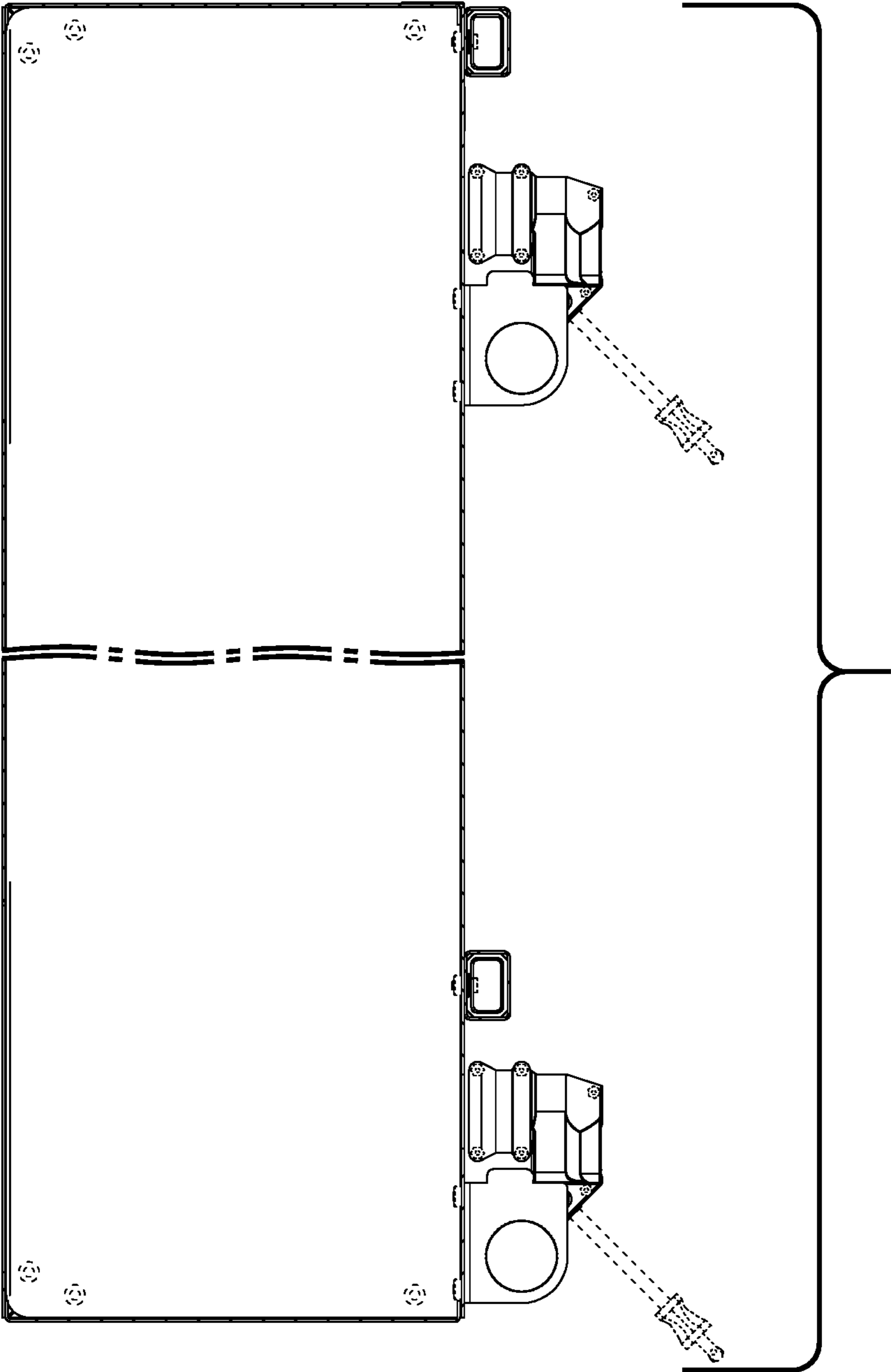


FIG. 20

