



US00D884776S

(12) **United States Design Patent**
Chen

(10) **Patent No.:** **US D884,776 S**

(45) **Date of Patent:** **** May 19, 2020**

- (54) **OUTSIDE FLASH**
- (71) Applicant: **Shenzhen Jike Digital Technology Co., Ltd.**, Shenzhen (CN)
- (72) Inventor: **Zhuangxiaoyi Chen**, Shenzhen (CN)
- (**) Term: **15 Years**
- (21) Appl. No.: **29/683,704**
- (22) Filed: **Mar. 15, 2019**
- (51) **LOC (12) Cl.** **16-05**
- (52) **U.S. Cl.**
USPC **D16/239**
- (58) **Field of Classification Search**
USPC D16/219, 237-250; D8/354, 355, 363, D8/373, 382-383, 394-396; D14/224, D14/229, 238, 251, 253, 356, 447, 451, D14/457
CPC A45F 5/00; A45F 5/10; A45F 2200/0508-0533; F16M 11/06-10; F16M 11/14; G02B 7/00-002; G03B 17/56; G03B 17/561-566; H04N 5/2253-2254
See application file for complete search history.

- D819,719 S * 6/2018 Murata D16/219
- D823,922 S * 7/2018 Hikima D16/219
- D866,646 S * 11/2019 Liu D16/239

OTHER PUBLICATIONS

Flashpoint eVolv 200 Pro TTL Pocket Flash Kit. [online] Retrieved Mar. 10, 2020 from URL: <https://www.adorama.com/fplfev200pro.html>.*

Yongnuo YN200 TTL HSS Speedlite. [online] Retrieved Mar. 10, 2020 from URL: <https://www.adorama.com/yn200ttl.html>.*

* cited by examiner

Primary Examiner — Vy N Koenig
(74) *Attorney, Agent, or Firm* — ZANIP

(57) **CLAIM**

The ornamental design for an outside flash, as shown and described.

DESCRIPTION

FIG. 1 is a first perspective view of an outside flash showing my design;
FIG. 2 is a second perspective view thereof;
FIG. 3 is a front view thereof;
FIG. 4 is a back view thereof;
FIG. 5 is a left side view thereof;
FIG. 6 is a right side view thereof;
FIG. 7 is a top view thereof; and,
FIG. 8 is a bottom view thereof.

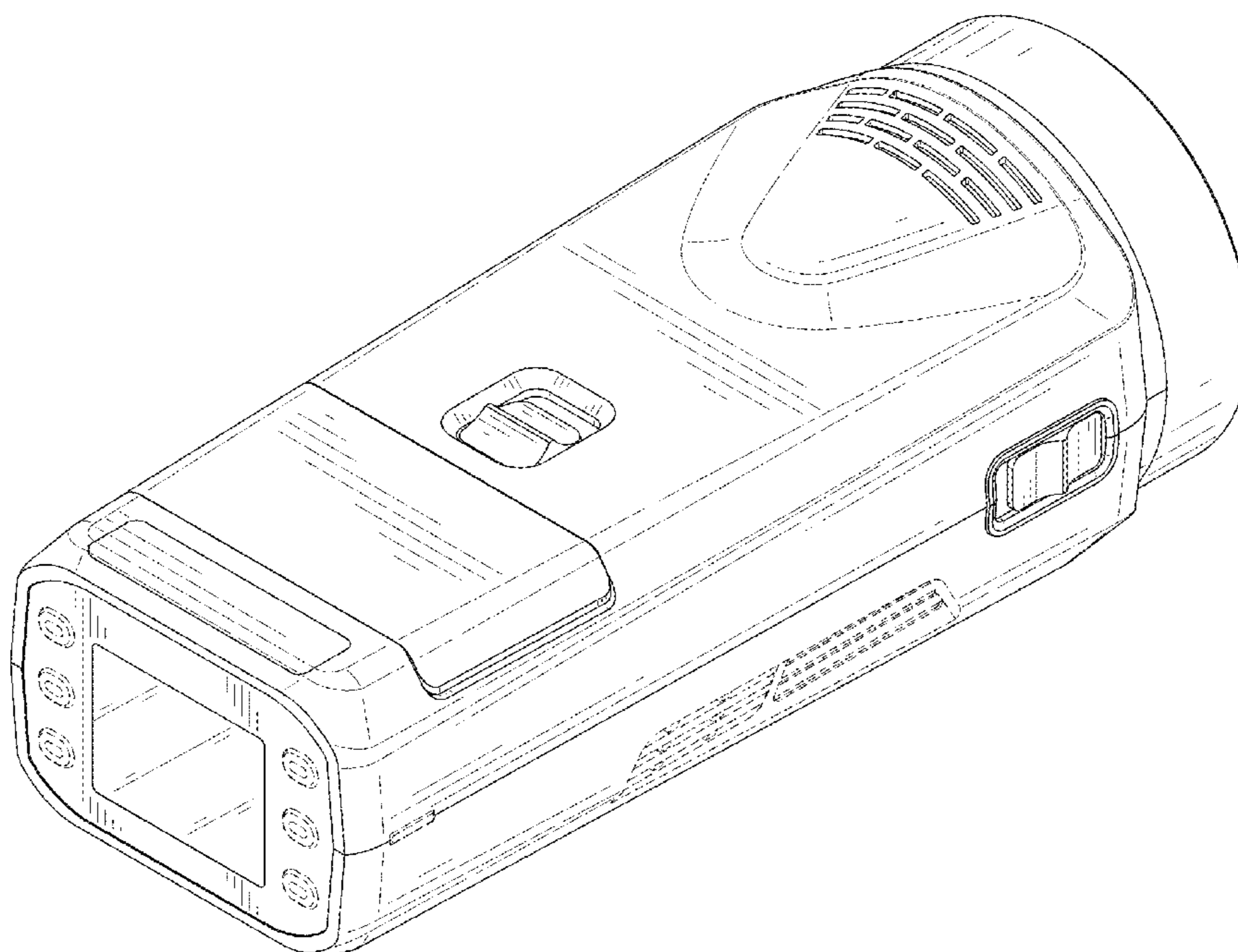
The dashed or broken lines shown in the drawings depict portions of the outside flash in which the design is embodied that form no part of the claimed design.

1 Claim, 8 Drawing Sheets

(56) **References Cited**

U.S. PATENT DOCUMENTS

- D234,370 S * 2/1975 Oberheim D16/240
- D357,695 S * 4/1995 Ott D16/238
- D606,572 S * 12/2009 Samson D16/203
- D689,538 S * 9/2013 Sato D16/239
- D694,307 S * 11/2013 Isozaki D16/203
- D694,797 S * 12/2013 Parker D16/202
- D711,953 S * 8/2014 Isozaki D16/202
- D725,692 S * 3/2015 Celler D16/219



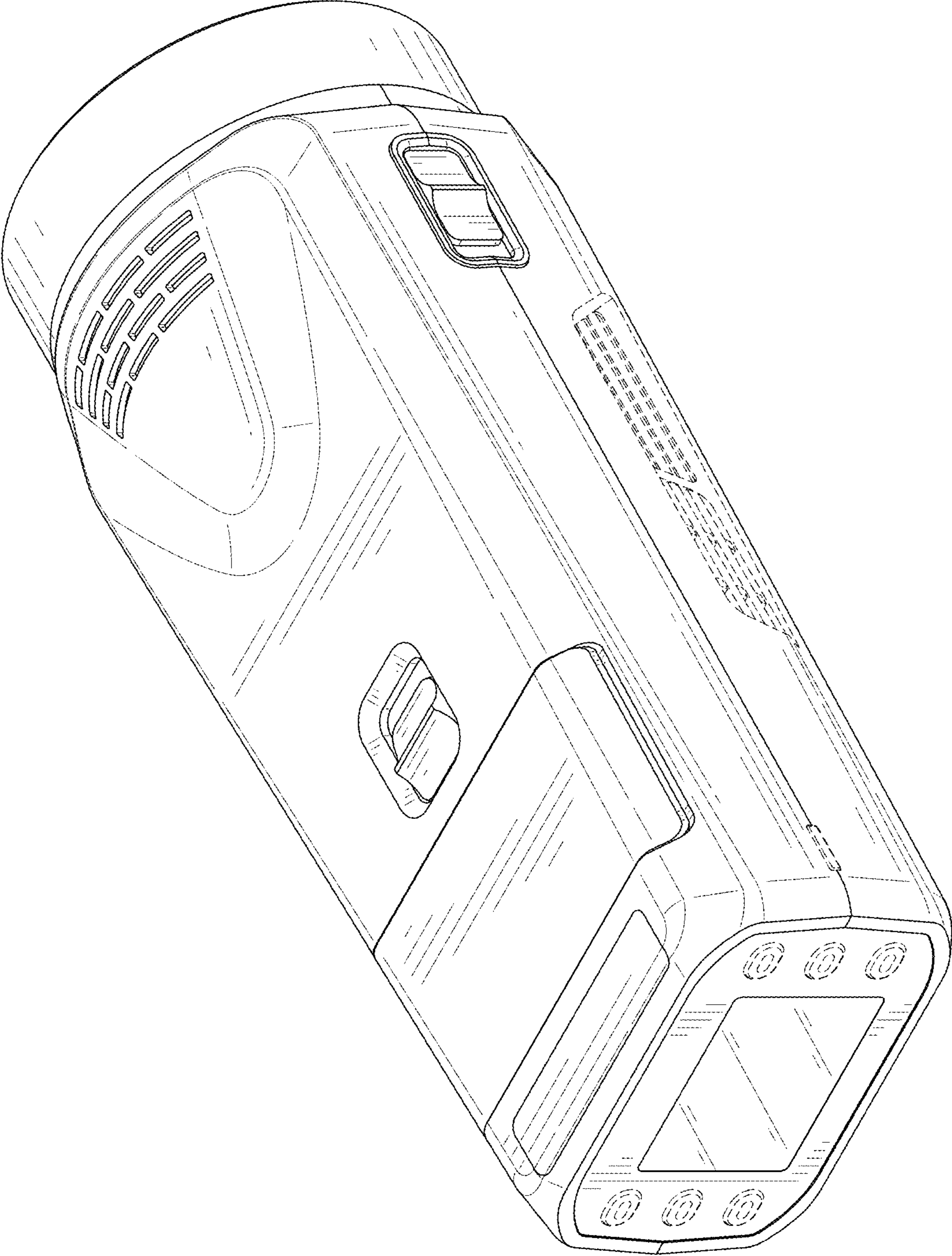


FIG. 1

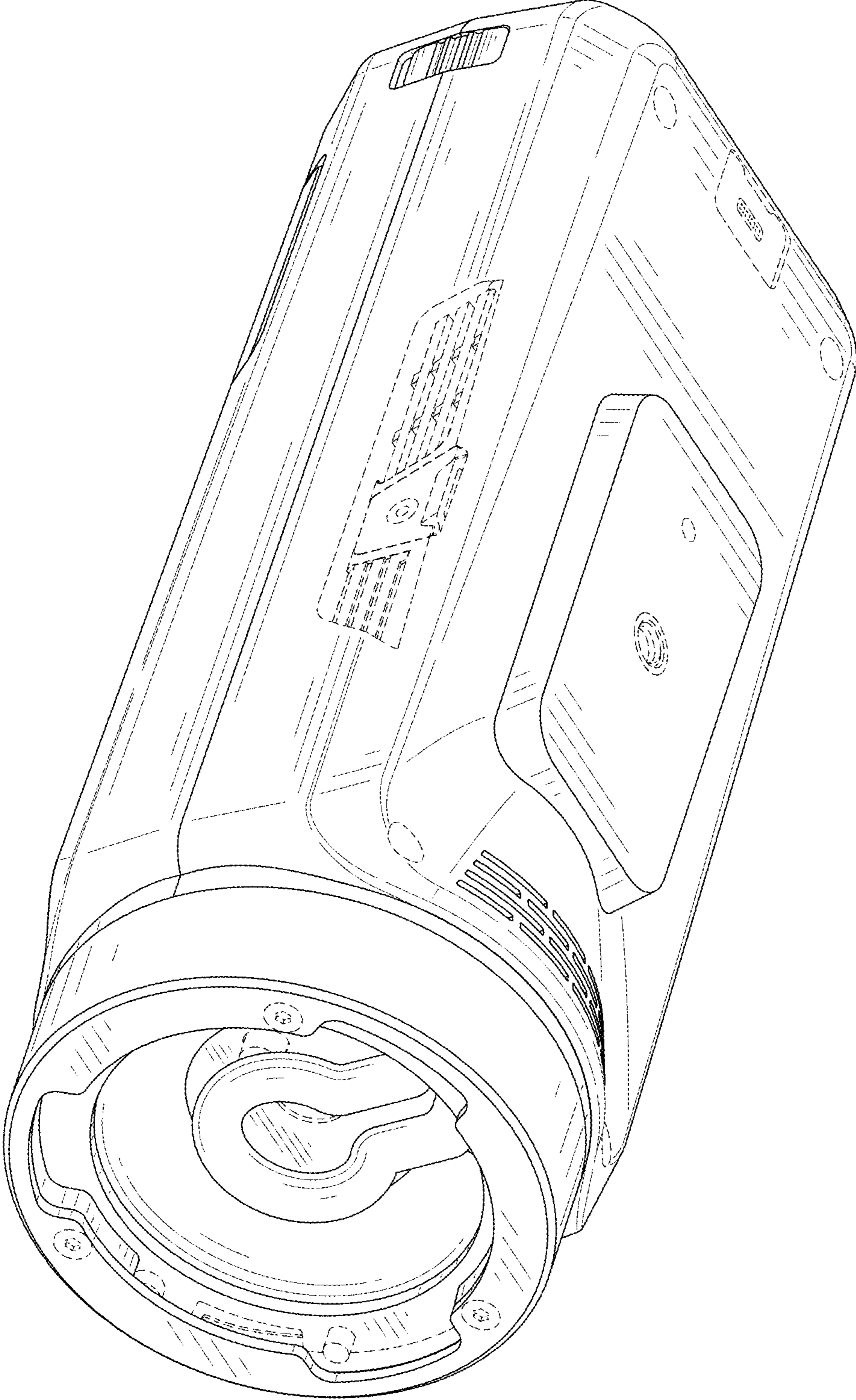


FIG. 2

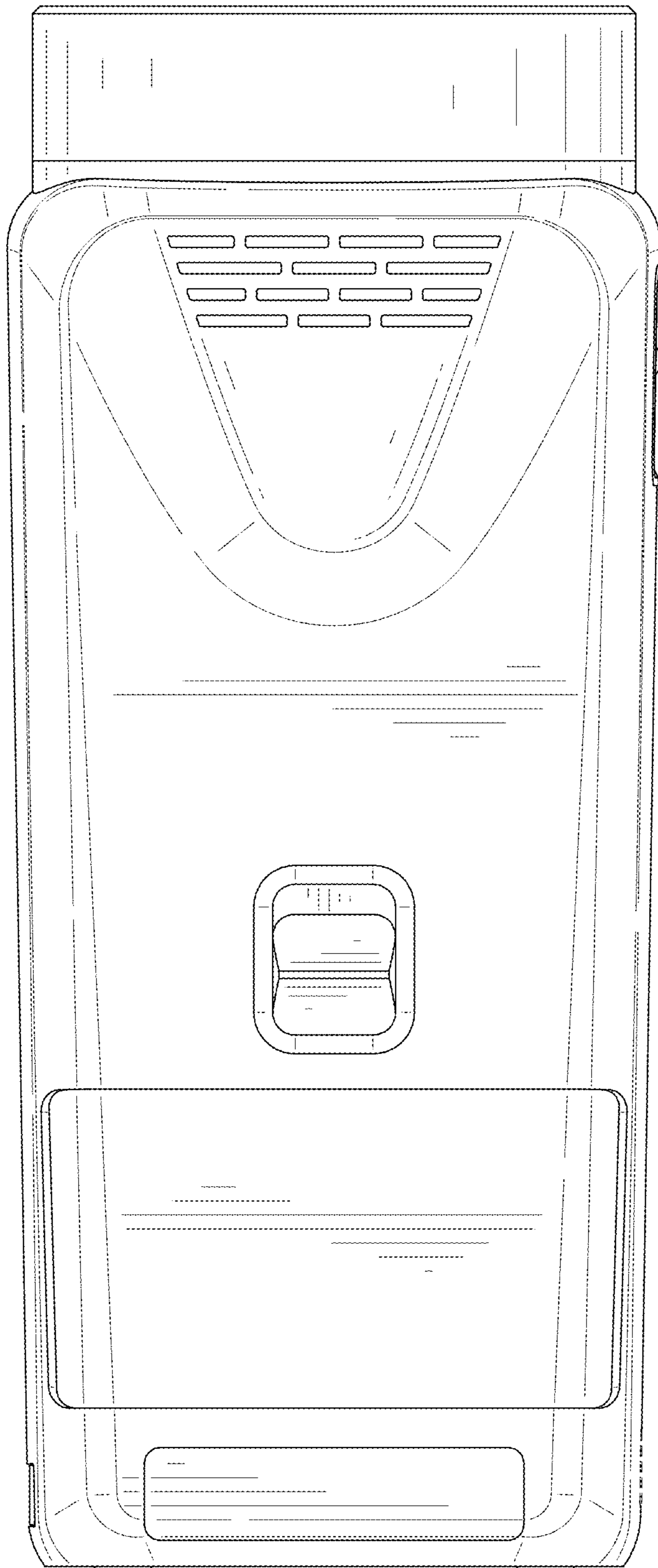


FIG. 3

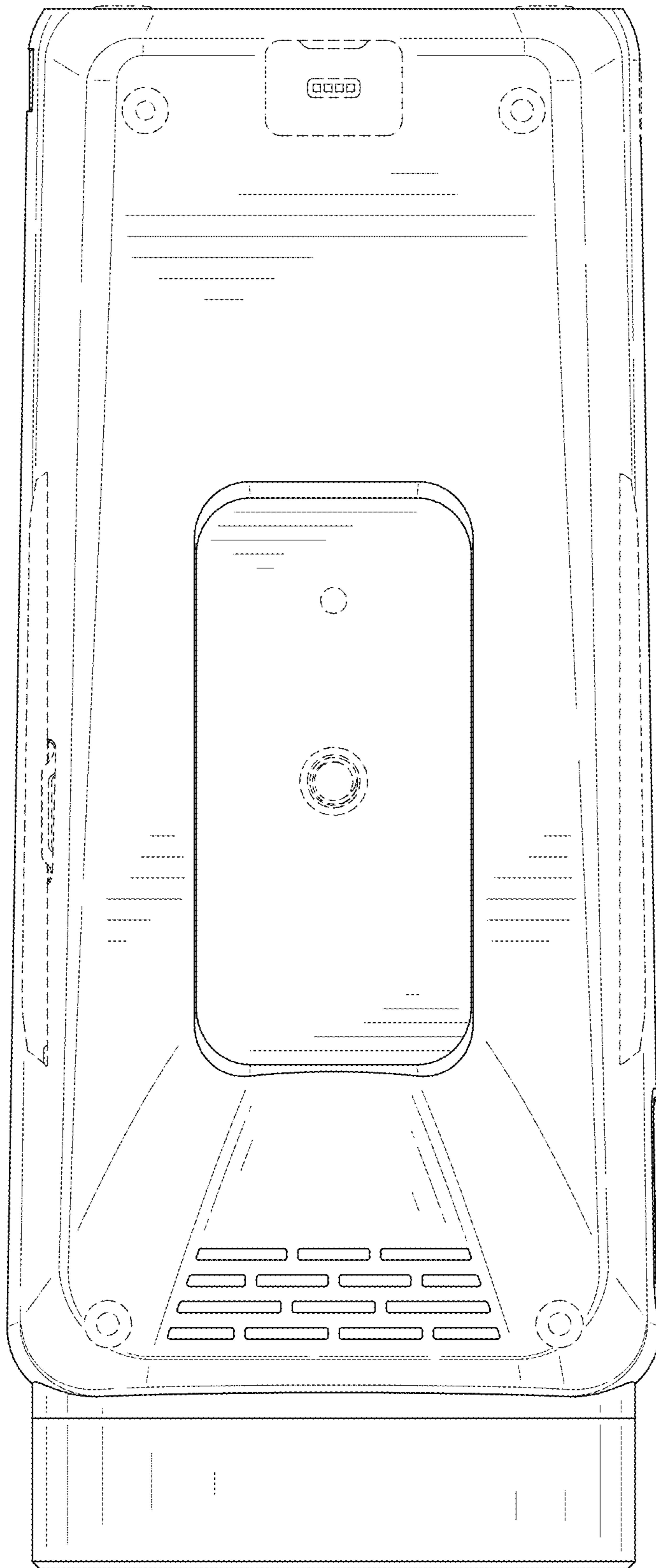


FIG. 4

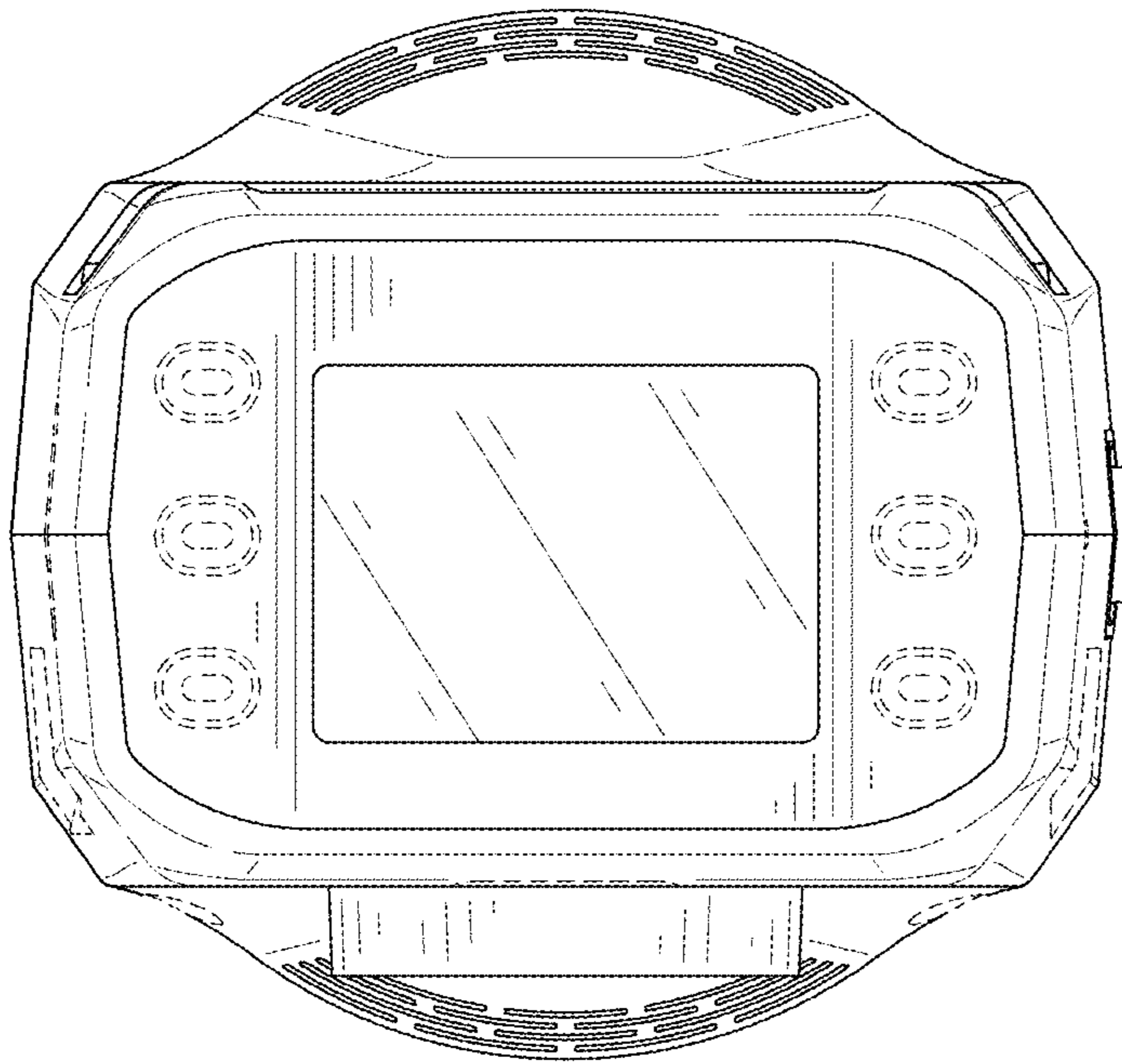


FIG. 5

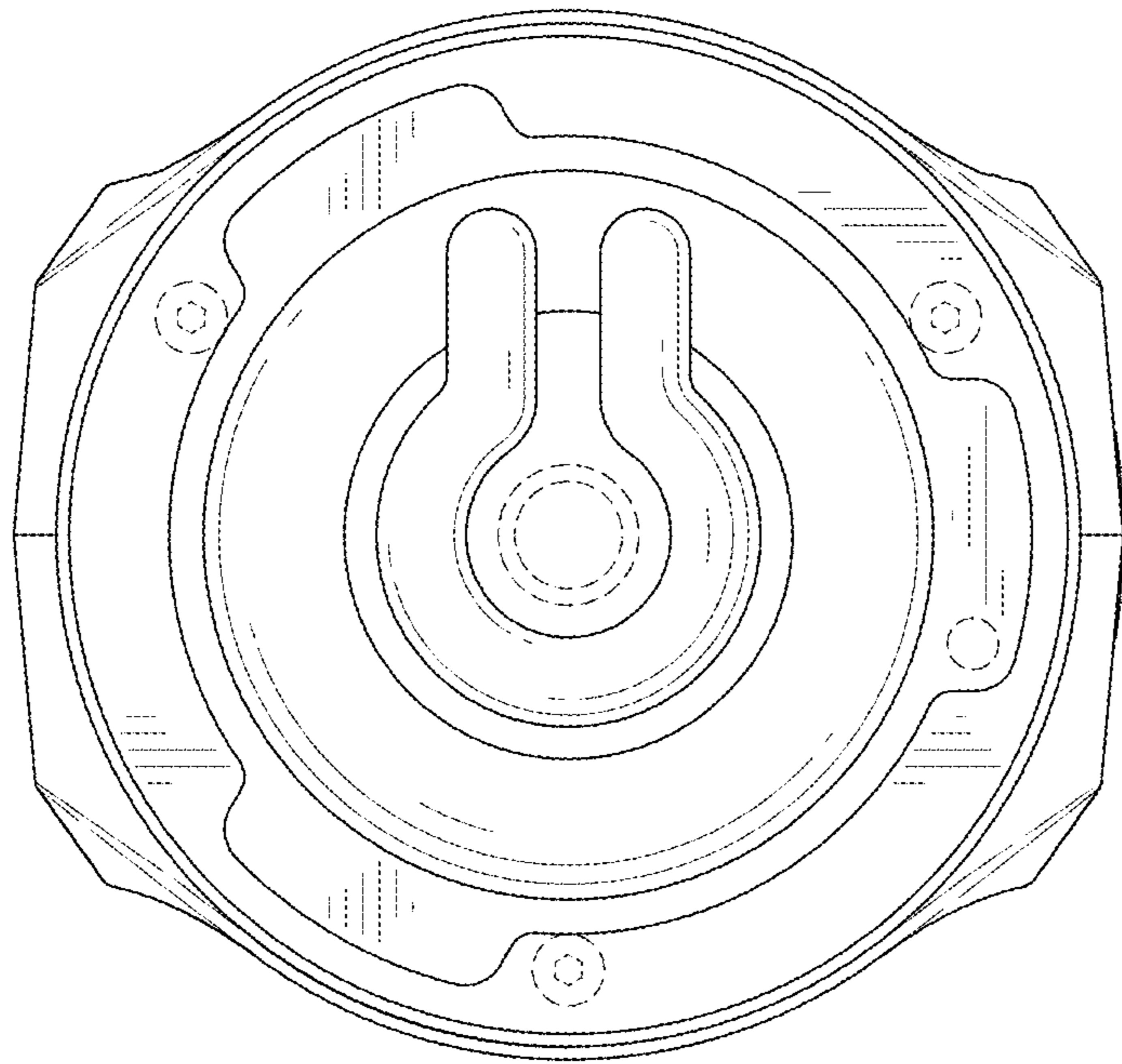


FIG. 6

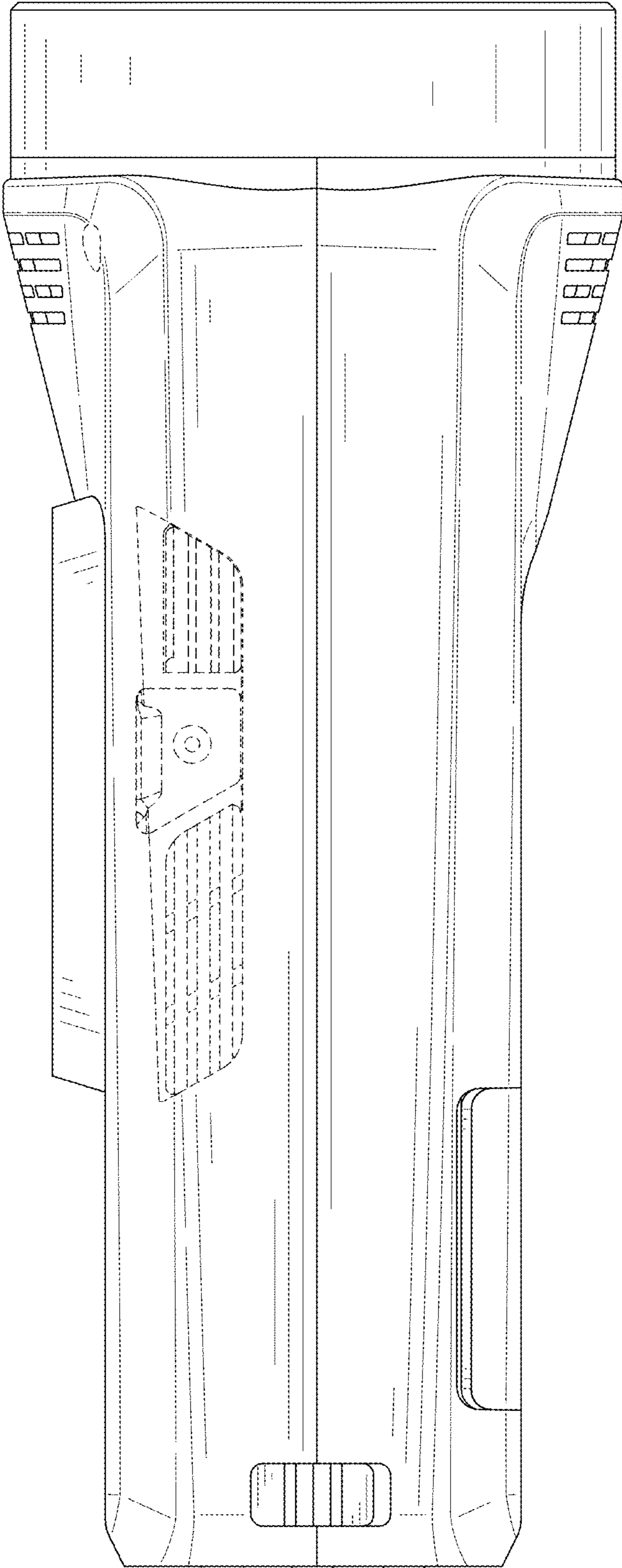


FIG. 7

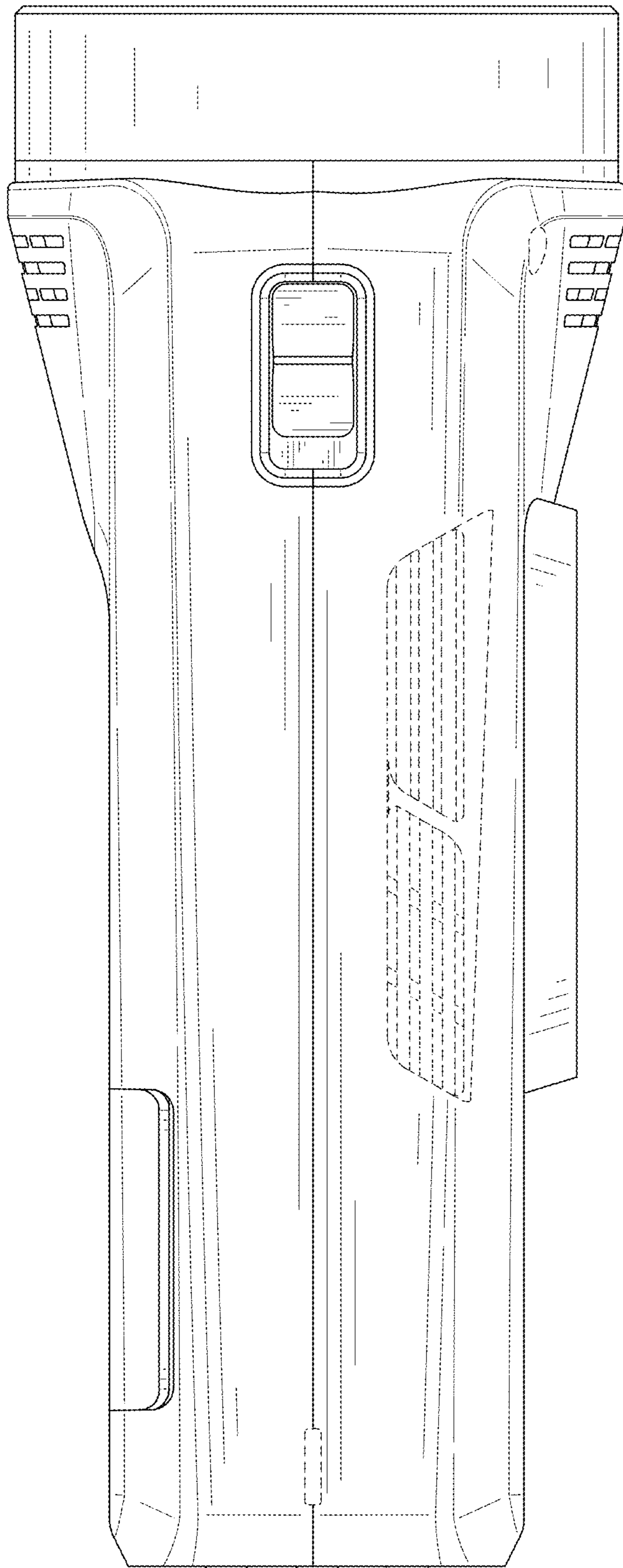


FIG. 8