



US00D884775S

(12) **United States Design Patent**
Ajayi et al.

(10) **Patent No.:** **US D884,775 S**

(45) **Date of Patent:** **** May 19, 2020**

(54) **ACCESSORY FOR PHOTOGRAPHIC AND CINEMATOGRAPHIC APPARATUS**

(71) Applicant: **Arnold & Richter Cine Technik GmbH & Co. Betriebs KG, München (DE)**

(72) Inventors: **Christine Ajayi, Vienna (AT); Alexander Jörg, Mannswörth (AT)**

(73) Assignee: **Arnold & Richter Cine Technik GmbH & Co. Betriebs KG, Munich (DE)**

(**) Term: **15 Years**

(21) Appl. No.: **29/685,619**

(22) Filed: **Mar. 29, 2019**

(30) **Foreign Application Priority Data**

Mar. 8, 2019 (EM) 006295085

(51) **LOC (12) Cl.** **16-05**

(52) **U.S. Cl.**
USPC **D16/219; D16/237**

(58) **Field of Classification Search**
USPC D16/134, 136, 200, 202–205, 218, 219, D16/235, 242; 348/373–376; 359/826–828; 396/529–532, 535, 396/539–541

CPC G03B 17/02; G03B 19/04; G03B 17/56; G03B 17/04; G03B 15/03; G03B 17/14; H04N 5/2251; H04N 5/2252; H04N 5/2253; H04N 5/2254; G02B 7/02; G02B 7/04; G02B 7/14

See application file for complete search history.

(56) **References Cited**

U.S. PATENT DOCUMENTS

D562,863 S * 2/2008 Yasutomi D16/134
D562,865 S * 2/2008 Yasutomi D16/134

D665,837 S * 8/2012 Tainaka D16/134
D696,709 S * 12/2013 Sato D16/219
D718,361 S * 11/2014 Noh D16/219
D724,644 S * 3/2015 Tainaka D16/219
D737,360 S * 8/2015 Jung D16/219
D741,937 S * 10/2015 Park D16/219
D783,078 S * 4/2017 Kim D16/219
D783,700 S * 4/2017 Tagawa D16/219
D831,093 S * 10/2018 Tokiwa D16/219
D836,152 S * 12/2018 Ikegame D16/219
D849,125 S 5/2019 Voss
D850,520 S 6/2019 Voss
2015/0116535 A1 * 4/2015 Wu H04N 9/735
348/224.1

* cited by examiner

Primary Examiner — Ramzi S Almatrahi

(74) *Attorney, Agent, or Firm* — Amster, Rothstein & Ebenstein LLP

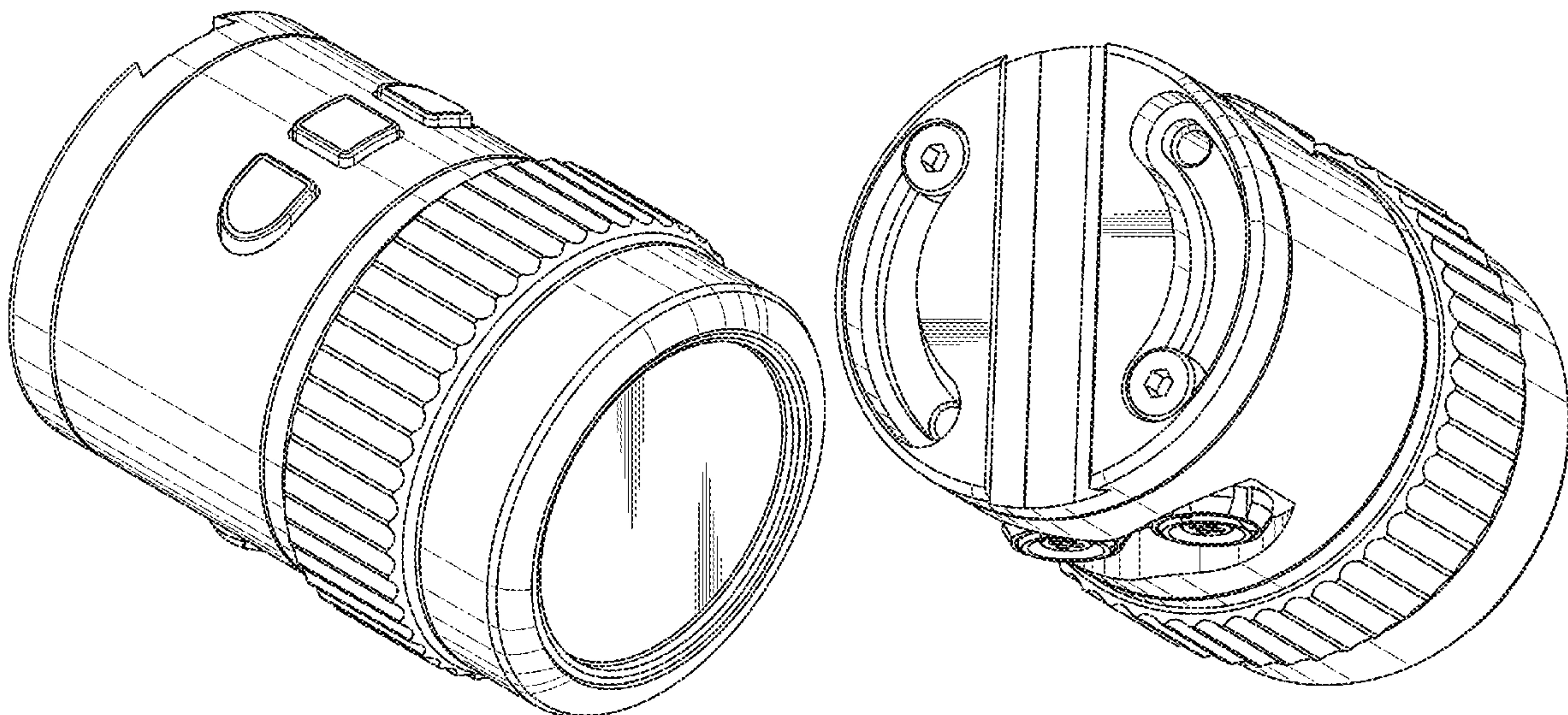
(57) **CLAIM**

The ornamental design for an accessory for photographic and cinematographic apparatus, as shown and described.

DESCRIPTION

FIG. 1 is a top, front and left side perspective view of an accessory for photographic and cinematographic apparatus showing our new design;
FIG. 2 is a bottom, front and left side perspective view thereof;
FIG. 3 is a bottom, rear and left side perspective view thereof;
FIG. 4 is a left side elevational view thereof;
FIG. 5 is a right side elevational view thereof;
FIG. 6 is a top plan view thereof;
FIG. 7 is a bottom plan view thereof;
FIG. 8 is a front elevational view thereof; and,
FIG. 9 is a rear elevational view thereof.

1 Claim, 9 Drawing Sheets



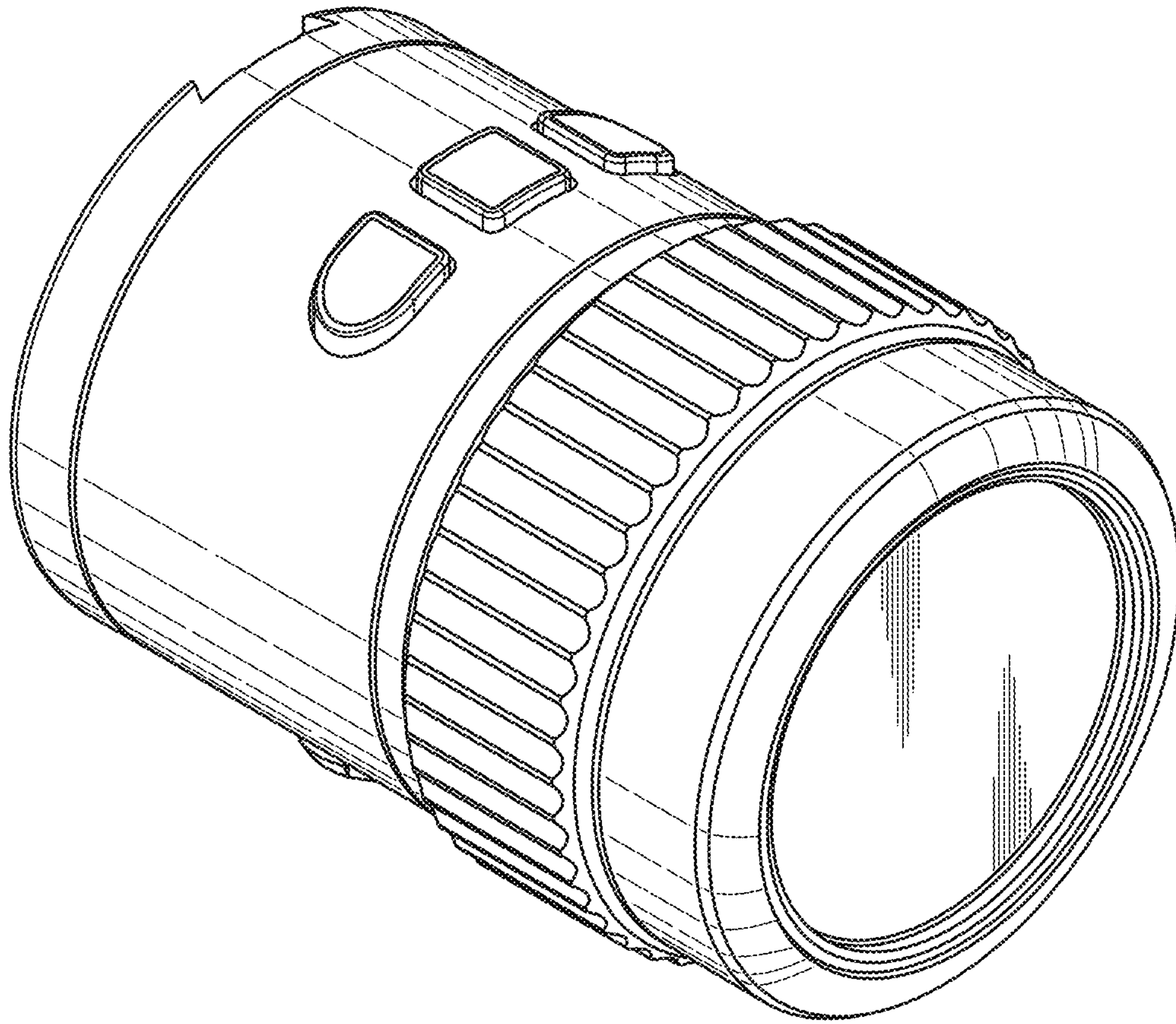


FIG. 1

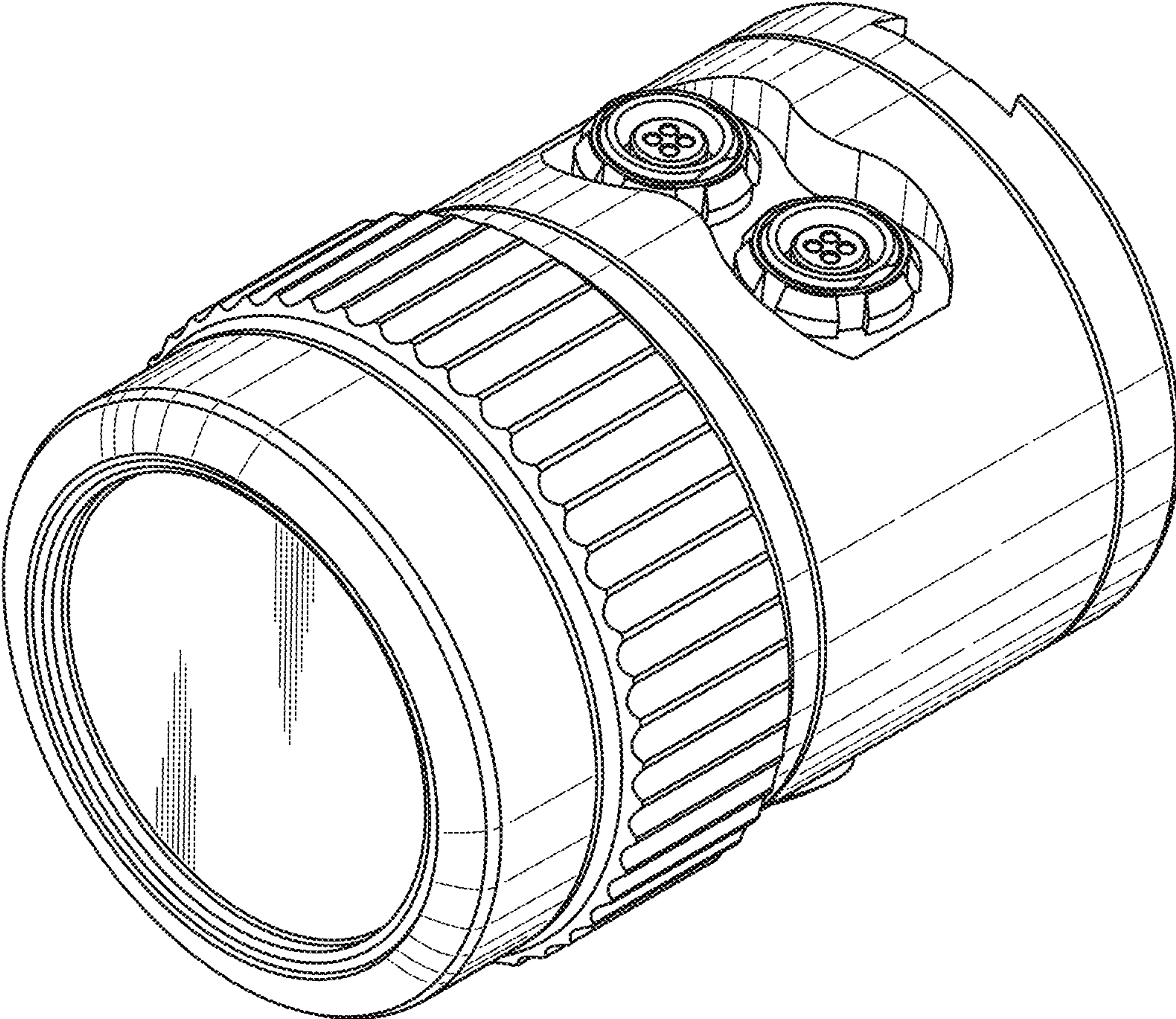


FIG. 2

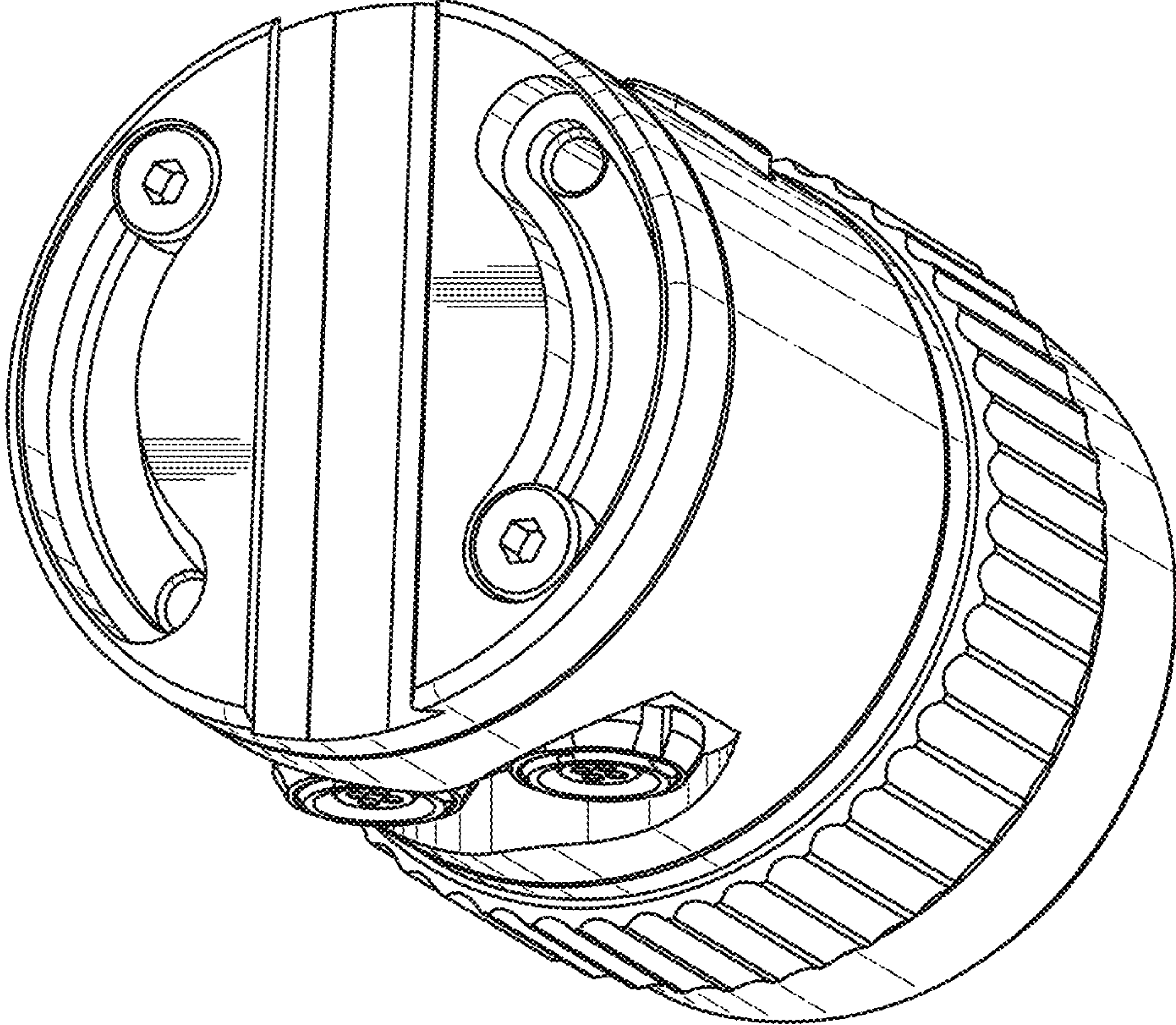


FIG. 3

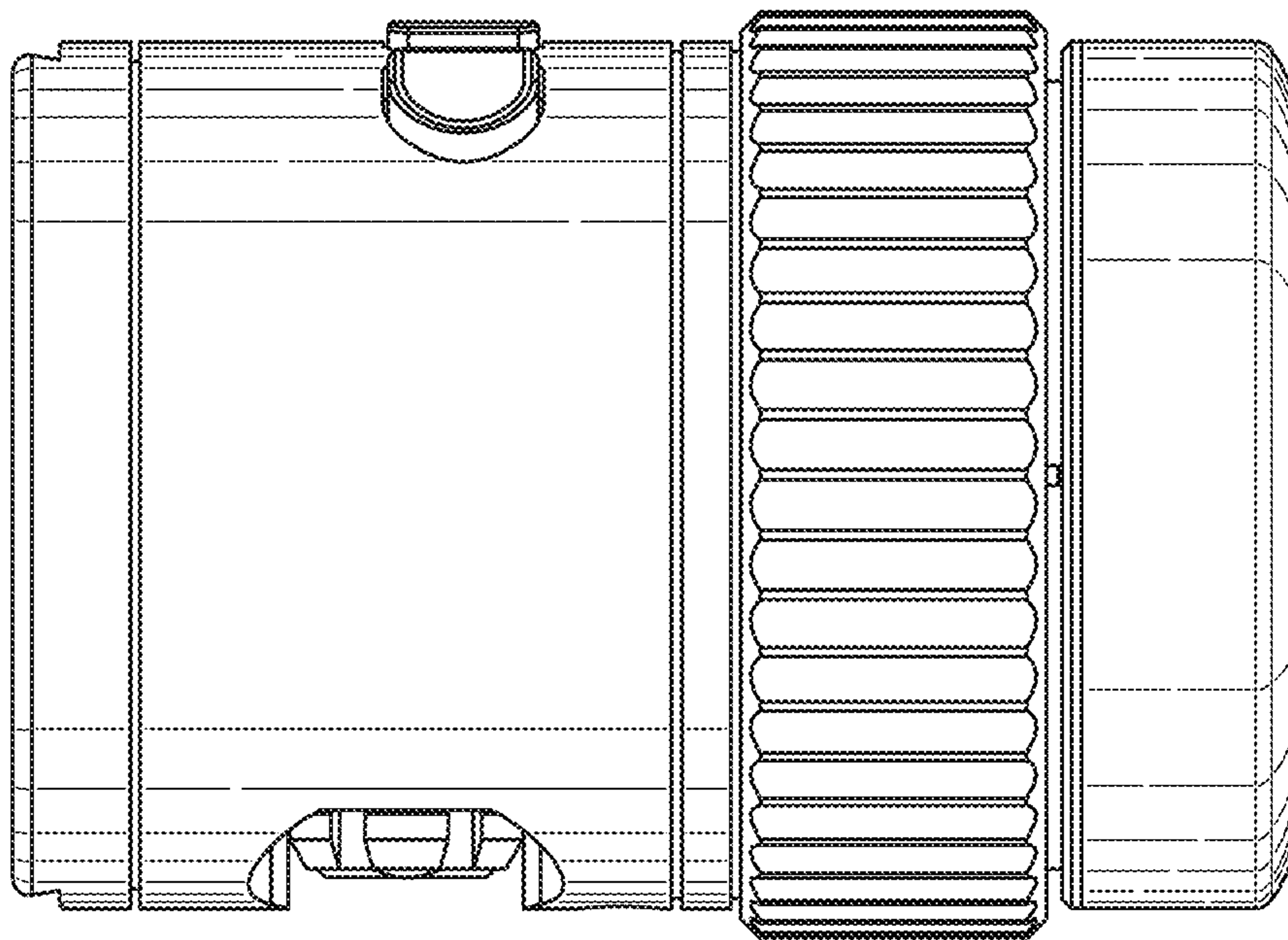


FIG. 4

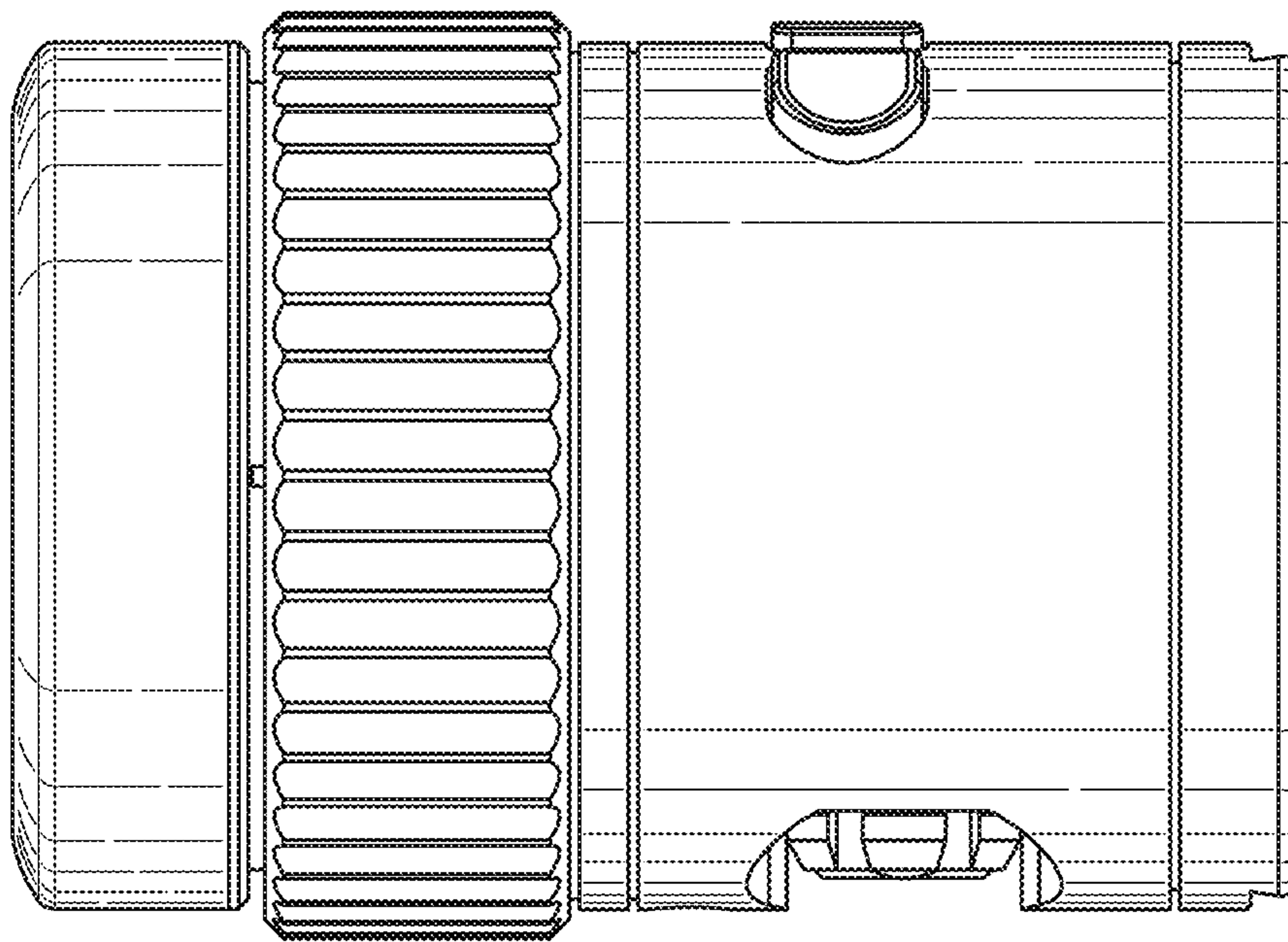


FIG. 5

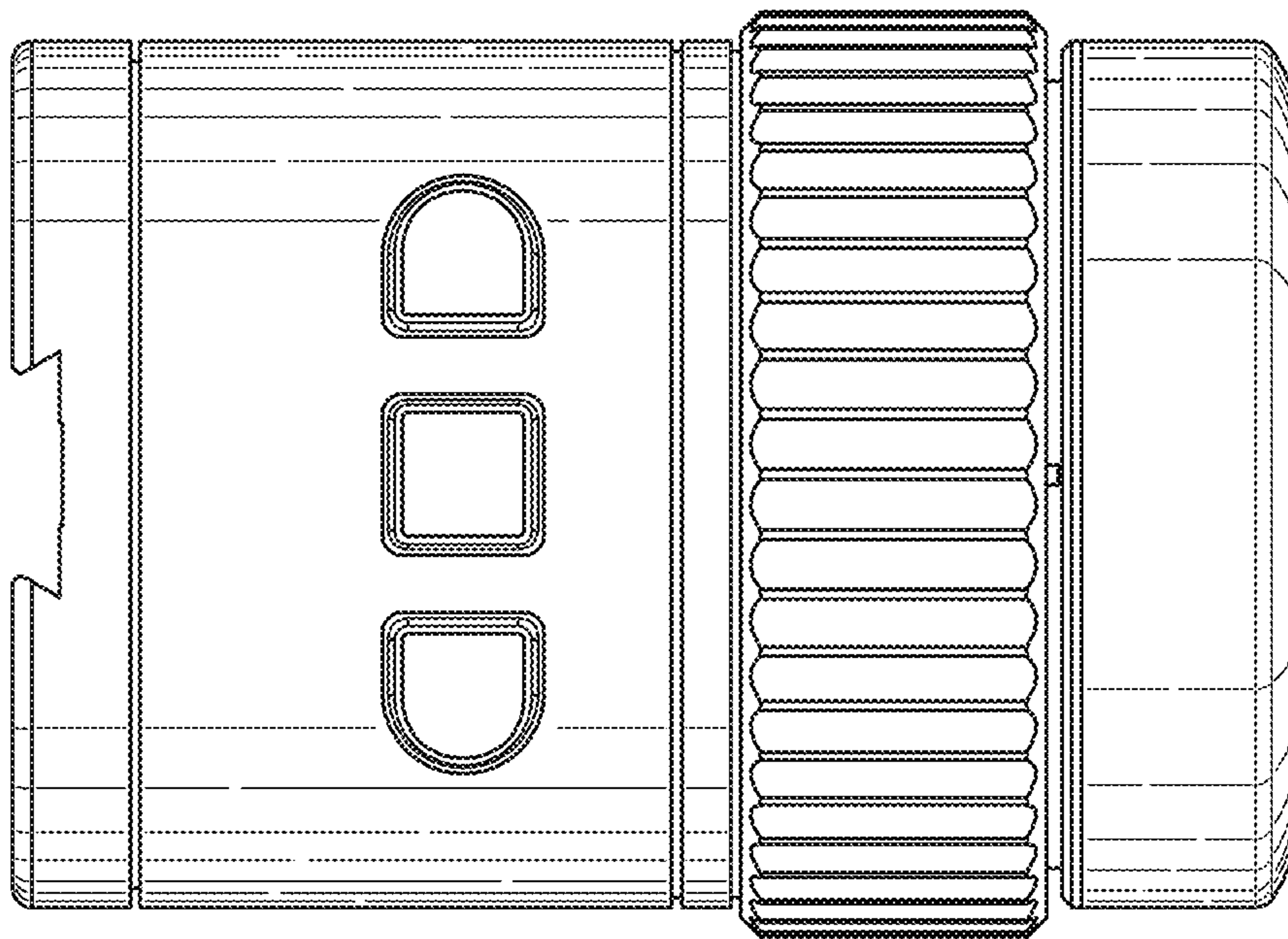


FIG. 6

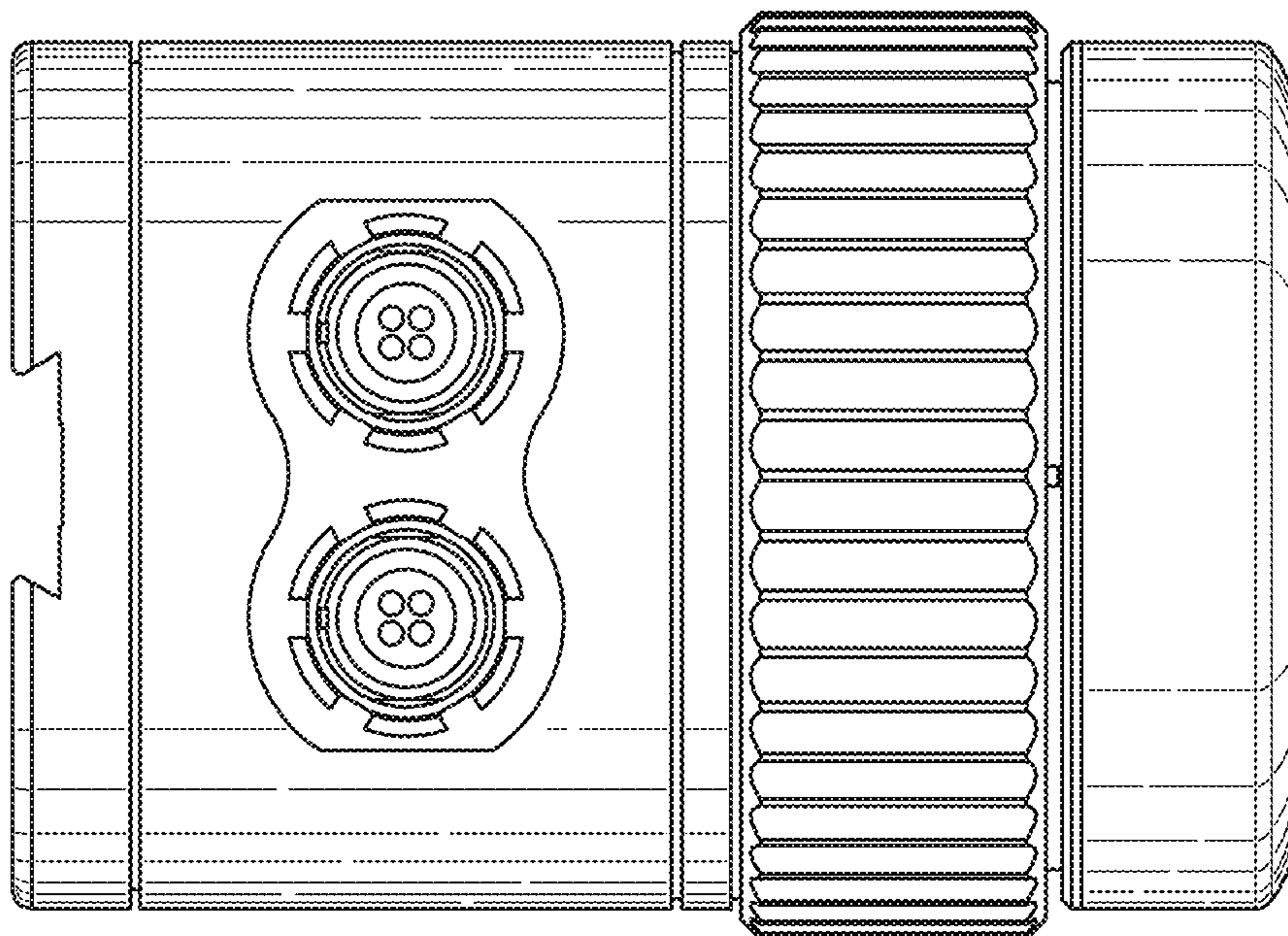


FIG. 7

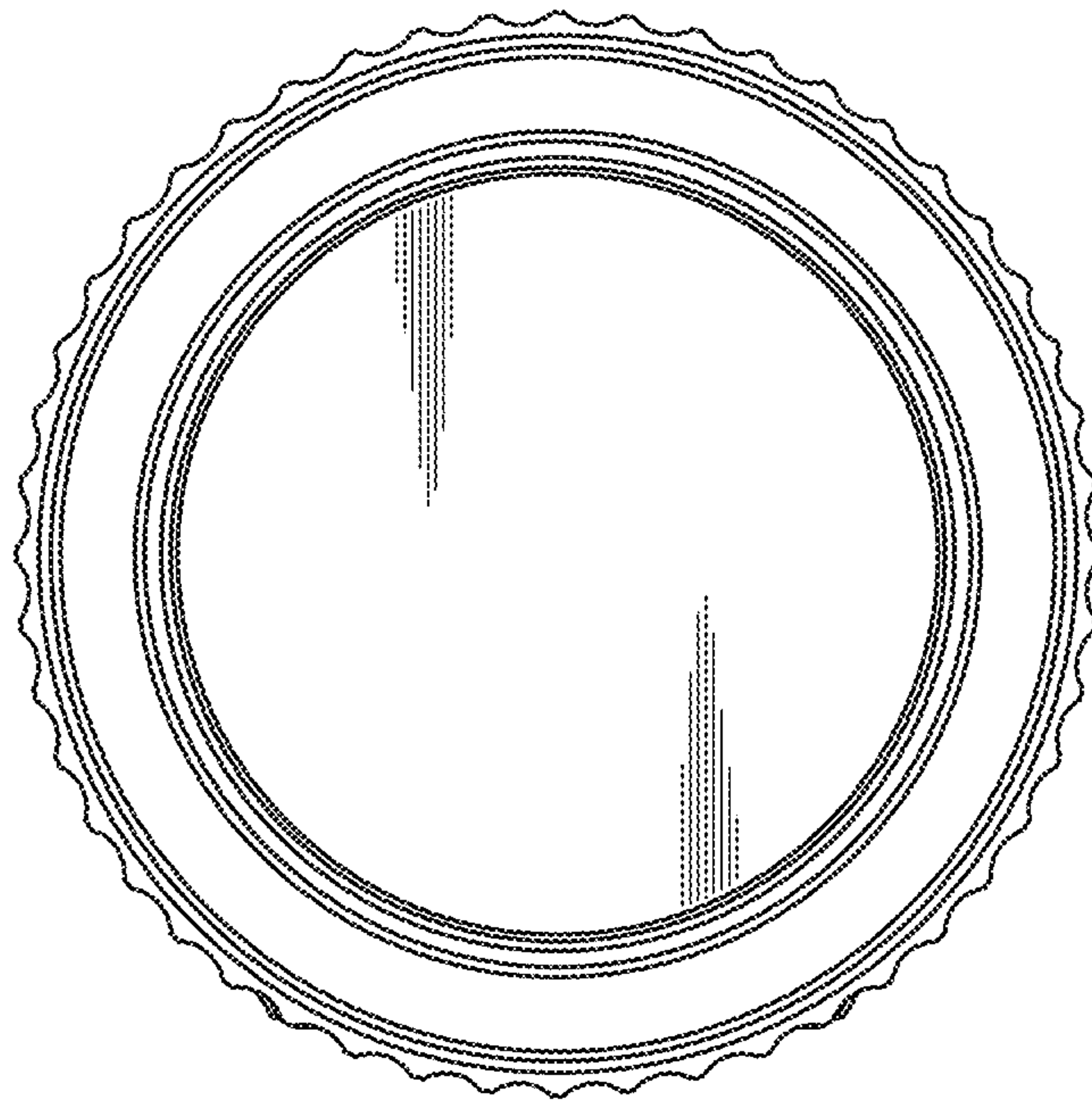


FIG. 8

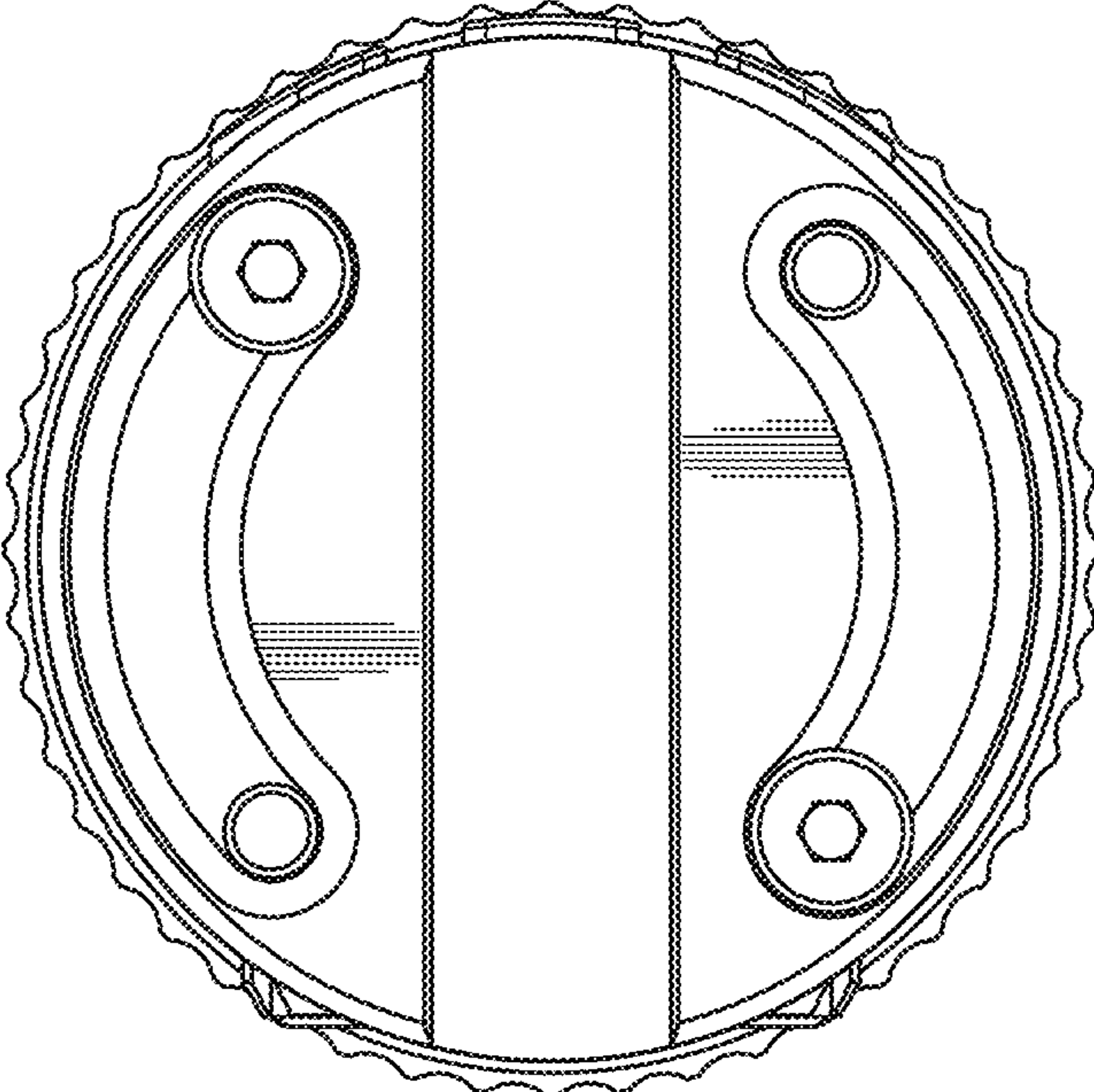


FIG. 9