

US00D884774S

(12) **United States Design Patent**
Kamei

(10) **Patent No.:** **US D884,774 S**

(45) **Date of Patent:** **** May 19, 2020**

(54) **DIGITAL CAMERA**

(71) Applicant: **FUJIFILM Corporation**, Tokyo (JP)

(72) Inventor: **Keita Kamei**, Saitama (JP)

(73) Assignee: **FUJIFILM Corporation**, Tokyo (JP)

(**) Term: **15 Years**

(21) Appl. No.: **29/670,142**

(22) Filed: **Nov. 14, 2018**

(30) **Foreign Application Priority Data**

May 15, 2018 (JP) 2018-010480

(51) **LOC (12) Cl.** **16-05**

(52) **U.S. Cl.**
USPC **D16/219**

(58) **Field of Classification Search**

USPC D16/200–220, 131, 132, 237, 242, 239,
D16/250, 235, 130, 134, 136, 238, 243;
D14/417, 138 C, 240, 248, 203.1, 203.3,
D14/203.7, 218, 207, 440, 402, 454, 407,
D14/408, 252, 253; D10/104.1, 50, 65,
D10/74, 70, 118.2, 66; D12/187;
D29/102, 122, 103; D3/269, 267;
D30/199
CPC G03B 17/00; G03B 17/02; G03B 17/56;
G03B 17/04; G03B 17/14; G03B 17/08;
G03B 15/03; G03B 15/06; H04N
1/00981; H04N 5/2251; H04N 5/2252;
H04N 5/2253; H04N 5/2254; H04N
5/23238; H04N 7/00; H04N 13/239;
H04N 2101/00; F16M 13/00

See application file for complete search history.

(56) **References Cited**

U.S. PATENT DOCUMENTS

D266,251 S * 9/1982 Schultes D16/211
D266,330 S * 9/1982 Schultes D16/211

D481,405 S * 10/2003 Sakaguchi D16/202
D497,378 S * 10/2004 Fujii D16/202
D521,042 S * 5/2006 Inaba D16/202
D522,560 S * 6/2006 Inaba D16/202
D566,153 S * 4/2008 Katsuraku D16/202

(Continued)

FOREIGN PATENT DOCUMENTS

JP 1511458 S 11/2014
JP 1574663 S 4/2017

OTHER PUBLICATIONS

Communication dated Jan. 31, 2019 from the Japanese Patent Office in application No. 2018-010480.

Primary Examiner — T Chase Nelson

Assistant Examiner — Mary Claire Ramirez

(74) *Attorney, Agent, or Firm* — Sughrue Mion, PLLC

(57) **CLAIM**

The ornamental design for a digital camera, as shown and described.

DESCRIPTION

FIG. 1 is a front-left perspective view of a digital camera showing my new design;

FIG. 2 is a front-right perspective view thereof;

FIG. 3 is a rear-right perspective view thereof;

FIG. 4 is a rear-left perspective view thereof;

FIG. 5 is a front view thereof;

FIG. 6 is a rear view thereof;

FIG. 7 is a top plan view thereof;

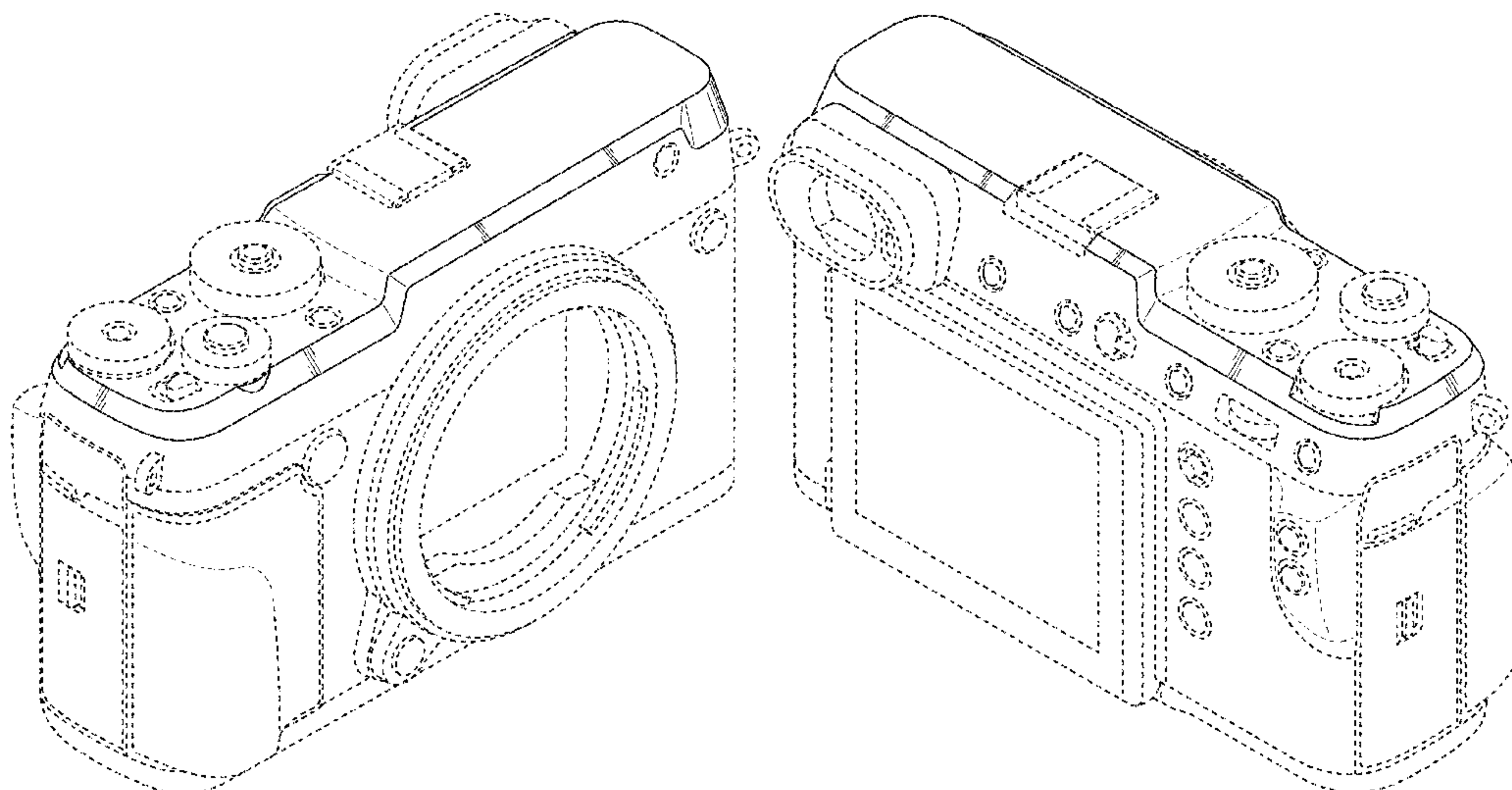
FIG. 8 is a bottom plan view thereof;

FIG. 9 is a right side view thereof; and,

FIG. 10 is a left side view thereof.

The dashed broken lines depict portions of the digital camera that form no part of the claimed design. The long and short dashed lines indicate the boundaries of the claimed design and form no part of the claimed design.

1 Claim, 9 Drawing Sheets



(56)

References Cited

U.S. PATENT DOCUMENTS

D580,467 S * 11/2008 Shimobayashi D16/202
 D581,441 S * 11/2008 Kim D16/218
 D582,459 S * 12/2008 Nakamura D16/202
 7,599,617 B2 * 10/2009 Tokiwa G03B 17/14
 396/529
 D605,677 S * 12/2009 Shimobayashi D16/202
 D649,997 S * 12/2011 Imai D16/202
 D654,943 S * 2/2012 Ogasawara D16/202
 D681,710 S * 5/2013 Sato D16/200
 D695,811 S * 12/2013 Nohara D16/219
 D697,960 S * 1/2014 Sato D16/200
 D698,838 S * 2/2014 Tainaka D16/200
 D698,839 S * 2/2014 Sato D16/200
 D701,550 S * 3/2014 Umehara D16/202
 D708,246 S * 7/2014 Yamauchi D16/202
 D710,924 S * 8/2014 Nohara D16/219
 D712,947 S * 9/2014 Chai D16/202
 D712,948 S * 9/2014 Chai D16/202
 D716,862 S * 11/2014 Hoshi D16/202
 D719,599 S * 12/2014 Fujita D16/202

D719,993 S * 12/2014 Soejima D16/202
 D720,786 S * 1/2015 Imamizu D16/202
 D749,659 S * 2/2016 Kamei D16/202
 D794,693 S * 8/2017 Sato D16/202
 D800,200 S * 10/2017 Abe D16/202
 D813,922 S * 3/2018 Kamei D16/202
 D821,475 S * 6/2018 Ikegame D16/200
 D832,908 S * 11/2018 Sakai D16/219
 D852,254 S * 6/2019 Saito D16/202
 D865,031 S * 10/2019 Saito D16/219
 2006/0193621 A1 * 8/2006 Miyake G03B 17/14
 396/88
 2015/0022694 A1 * 1/2015 Jogetsu H04N 5/23209
 348/240.1
 2016/0006923 A1 * 1/2016 Imamura H04N 5/23209
 348/208.11
 2017/0126948 A1 * 5/2017 Uchida G03B 7/097
 2017/0126957 A1 * 5/2017 Uchida G02B 7/28
 2017/0199347 A1 * 7/2017 Takeshita G03B 3/10
 2018/0224722 A1 * 8/2018 Pan G03B 17/14
 2019/0212522 A1 * 7/2019 Imanishi G02B 7/021
 2019/0212634 A1 * 7/2019 Kondo G02B 7/14
 2019/0281212 A1 * 9/2019 Nishiyama H04N 5/2355

* cited by examiner

FIG. 1

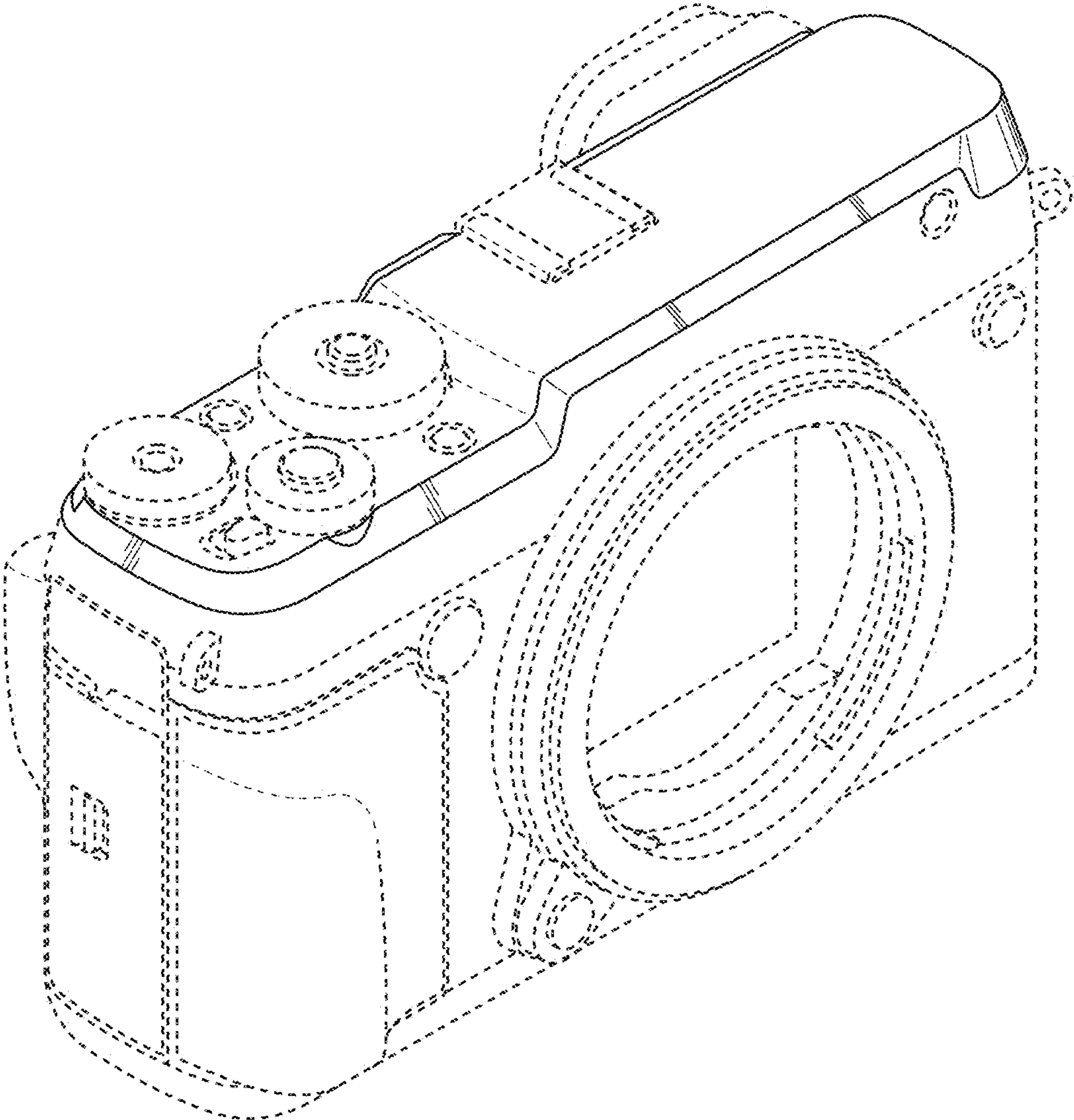


FIG. 2

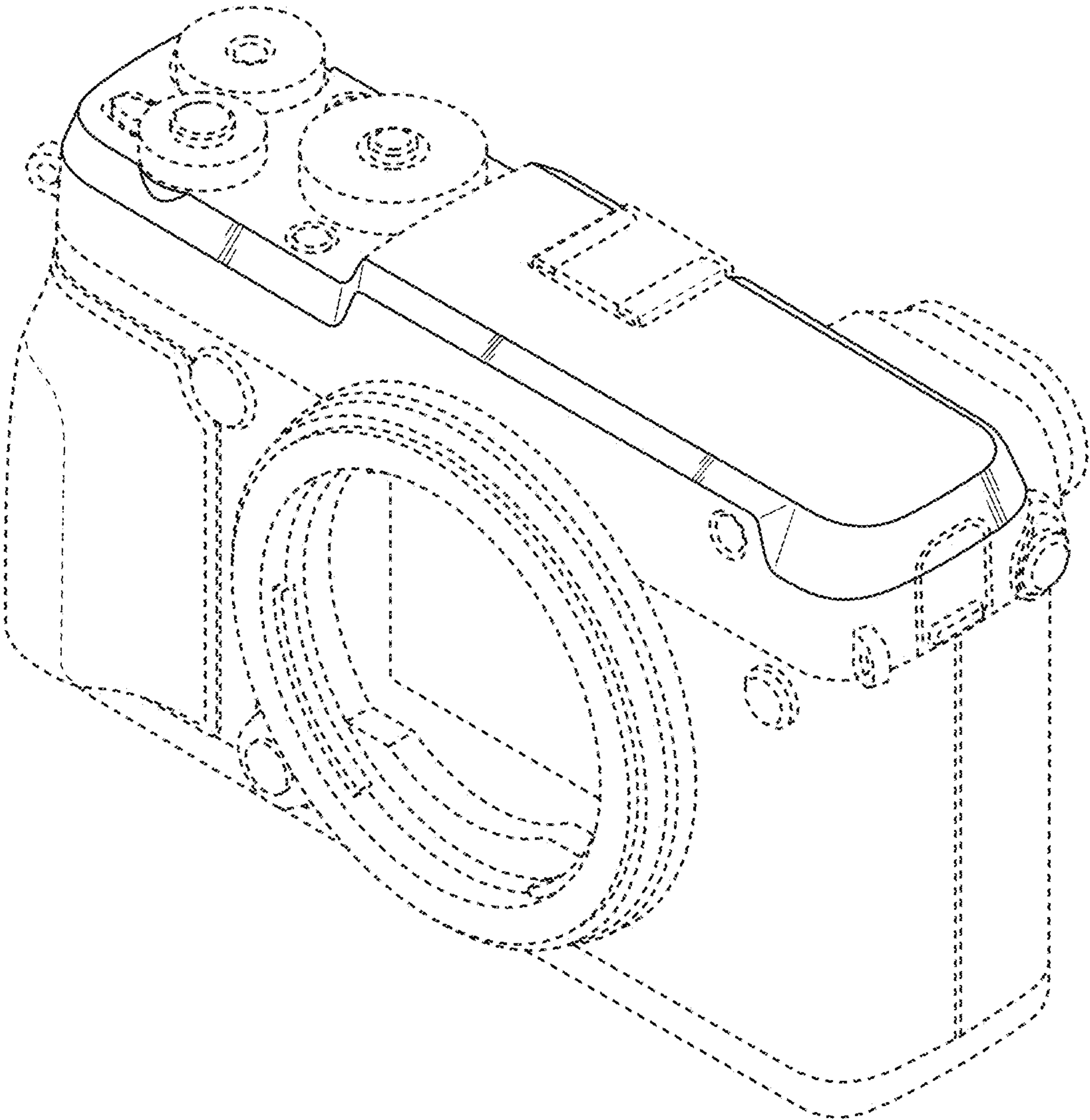


FIG. 3

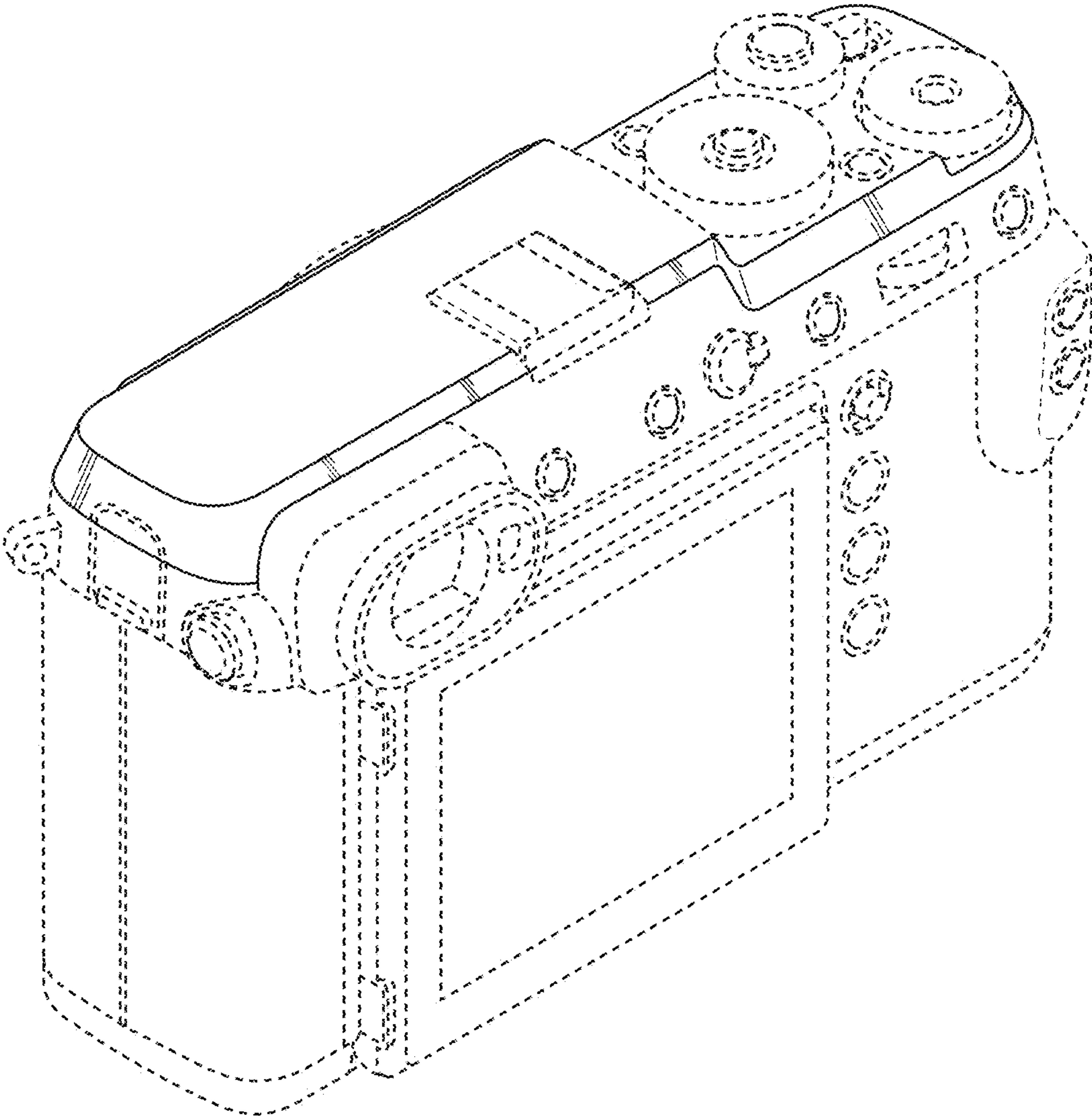


FIG. 4

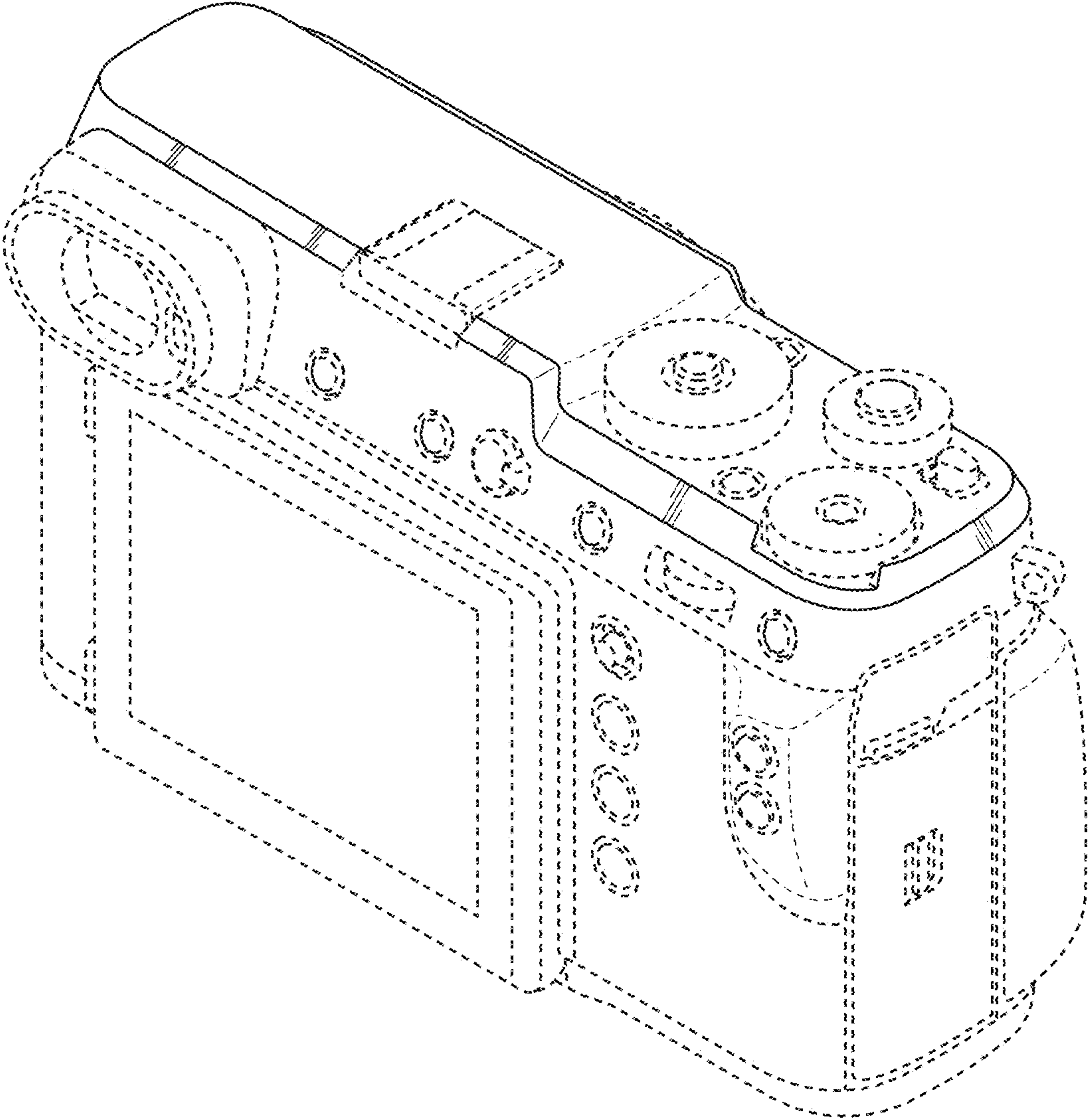


FIG. 5

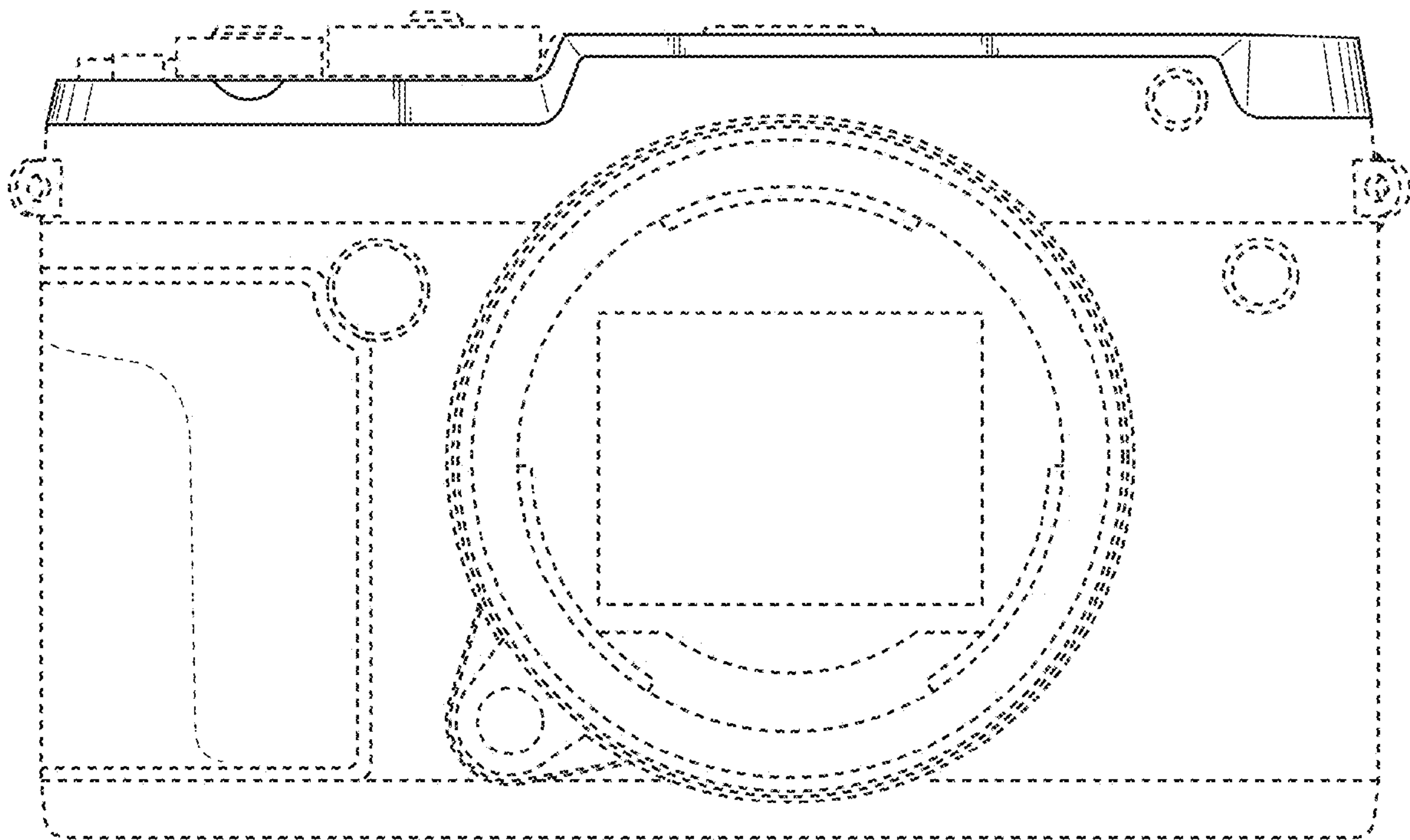


FIG. 6

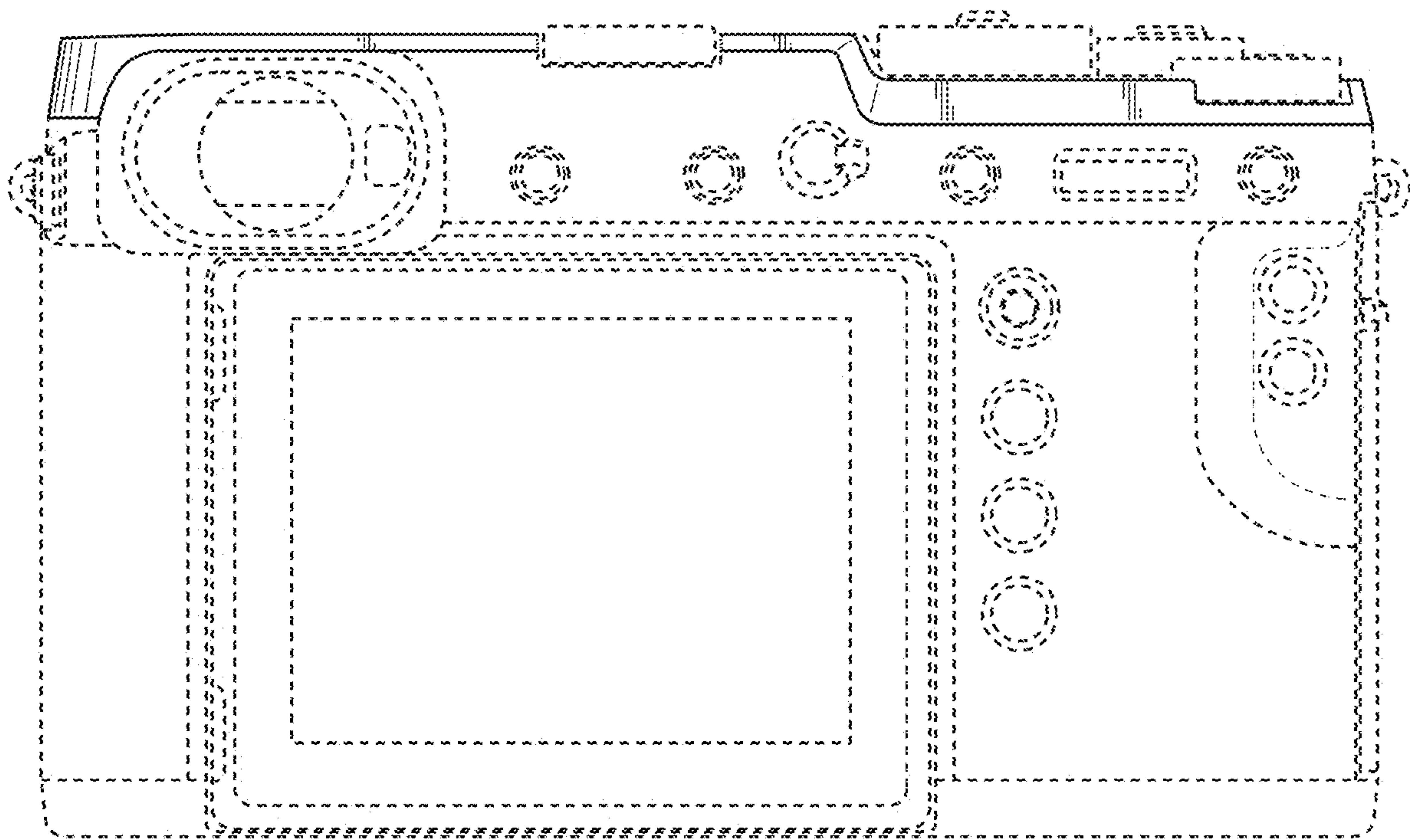


FIG. 7

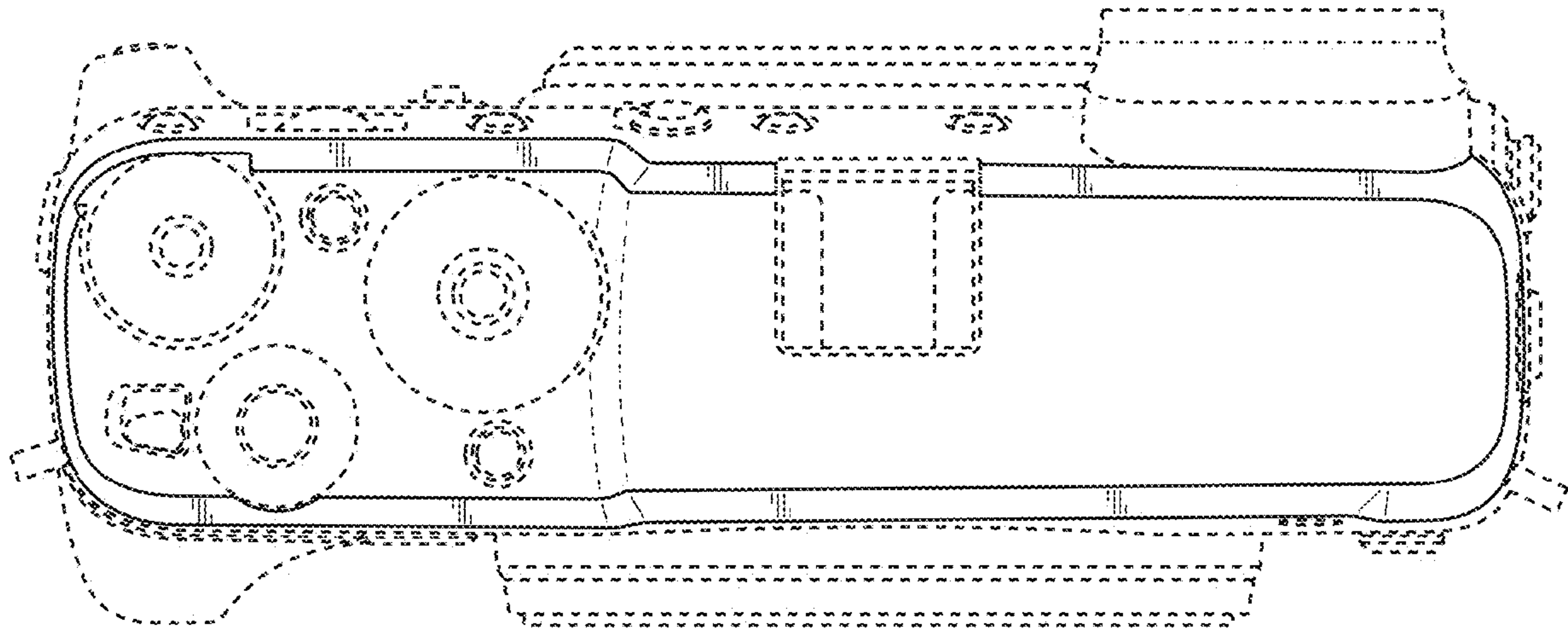


FIG. 8

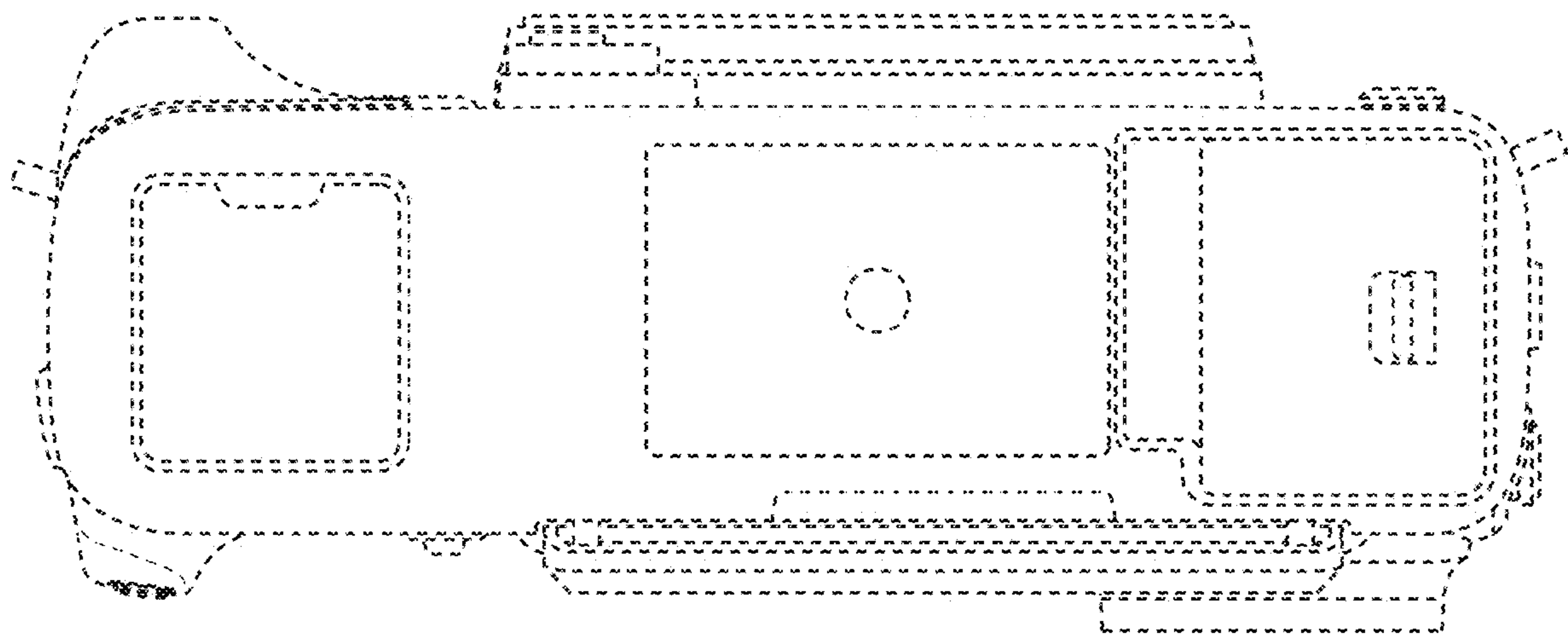


FIG. 9

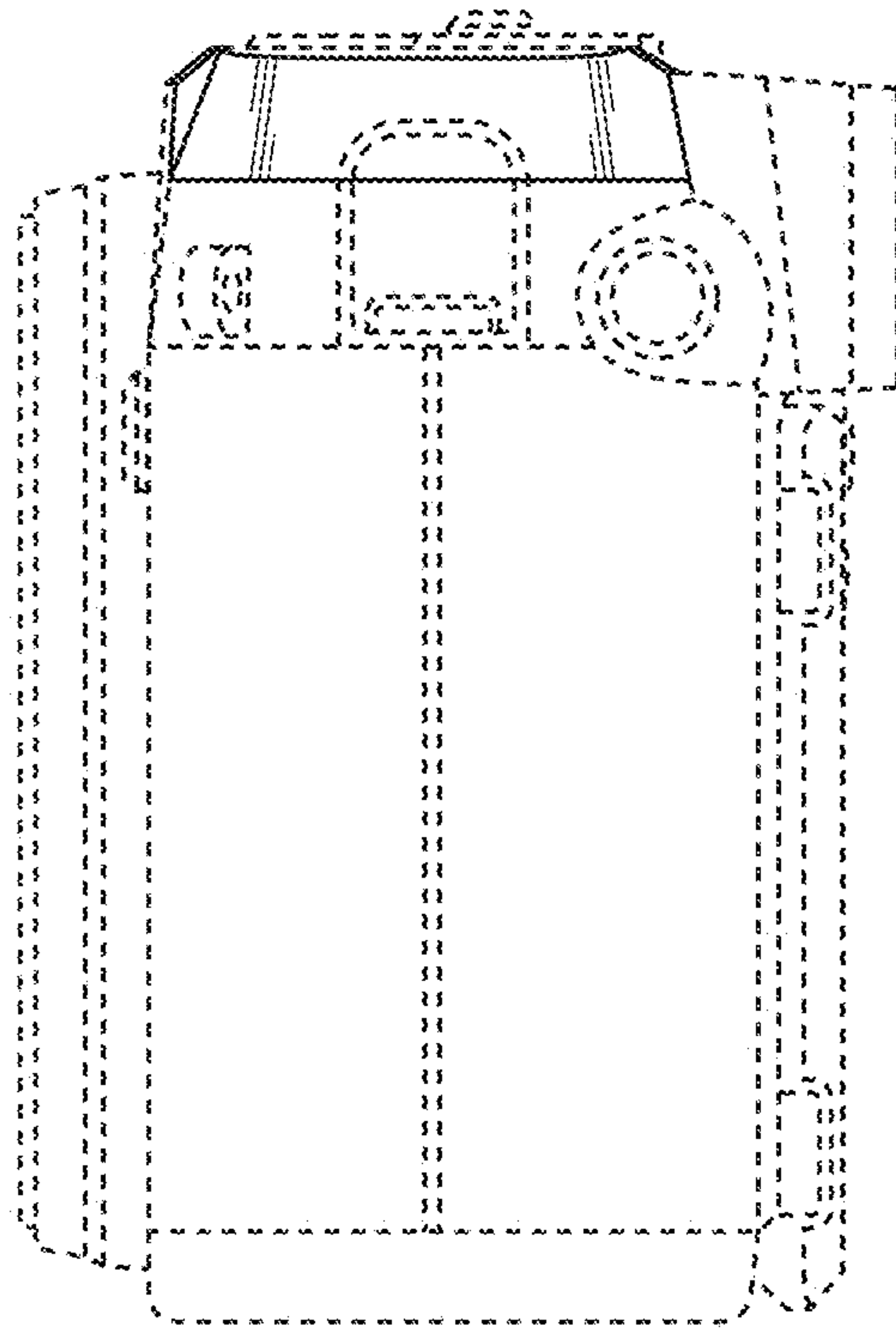


FIG. 10

