



US00D884773S

(12) **United States Design Patent**  
**Katori**

(10) **Patent No.:** **US D884,773 S**

(45) **Date of Patent:** **\*\* May 19, 2020**

(54) **CAMERA**

(71) Applicant: **Panasonic i-PRO Sensing Solutions Co., Ltd.**, Fukuoka, Fukuoka (JP)

(72) Inventor: **Takehito Katori**, Kanagawa (JP)

(73) Assignee: **Panasonic i-PRO Sensing Solutions Co., Ltd.**, Fukuoka (JP)

(\*\*) Term: **15 Years**

(21) Appl. No.: **29/659,713**

(22) Filed: **Aug. 10, 2018**

(51) **LOC (12) Cl.** ..... **16-05**

(52) **U.S. Cl.**  
USPC ..... **D16/219**

(58) **Field of Classification Search**  
USPC ..... D16/200, 202–206, 208, 218, 219;  
348/373–376; 396/535, 539–541  
CPC ..... G03B 15/03; G03B 17/02; G03B 17/04;  
G03B 17/56; G03B 19/04; H04N 5/2251;  
H04N 5/2252; H04N 5/2253; H04N  
5/2254; H04N 2101/00  
See application file for complete search history.

(56) **References Cited**

**U.S. PATENT DOCUMENTS**

D697,123 S	*	1/2014	Takahashi	.....	D16/219
D715,845 S		10/2014	Takahashi et al.		
D753,207 S	*	4/2016	Katori	.....	D16/203
D810,175 S	*	2/2018	Park	.....	D16/219
D811,467 S	*	2/2018	Osada	.....	D16/219
D814,547 S		4/2018	Kondou		

D819,719 S		6/2018	Murata		
D819,722 S	*	6/2018	Tajima	.....	D16/219
D823,922 S	*	7/2018	Hikima	.....	D16/219
D823,923 S	*	7/2018	Imai	.....	D16/219
D826,307 S	*	8/2018	Yoshizawa	.....	D16/219
D835,700 S	*	12/2018	Iritani	.....	D16/219
D846,620 S	*	4/2019	Katori	.....	D16/219
D849,117 S	*	5/2019	Sakai	.....	D16/219
D865,032 S	*	10/2019	Katori	.....	D16/219
D865,848 S	*	11/2019	Sakai	.....	D16/219

\* cited by examiner

*Primary Examiner* — Ramzi S Almatrahi

(74) *Attorney, Agent, or Firm* — Brinks Gilson & Lione

(57) **CLAIM**

The ornamental design for a camera, as shown and described.

**DESCRIPTION**

FIG. 1 is a top, front and right side perspective view of a camera of the present invention;  
FIG. 2 is a bottom, front and left side perspective view thereof;  
FIG. 3 is a front view thereof;  
FIG. 4 is a rear view thereof;  
FIG. 5 is a left side view thereof;  
FIG. 6 is a right side view thereof;  
FIG. 7 is a top view thereof; and,  
FIG. 8 is a bottom view thereof.

The broken lines depict portions of the camera in which the design is embodied that form no part of the claimed design.

**1 Claim, 8 Drawing Sheets**

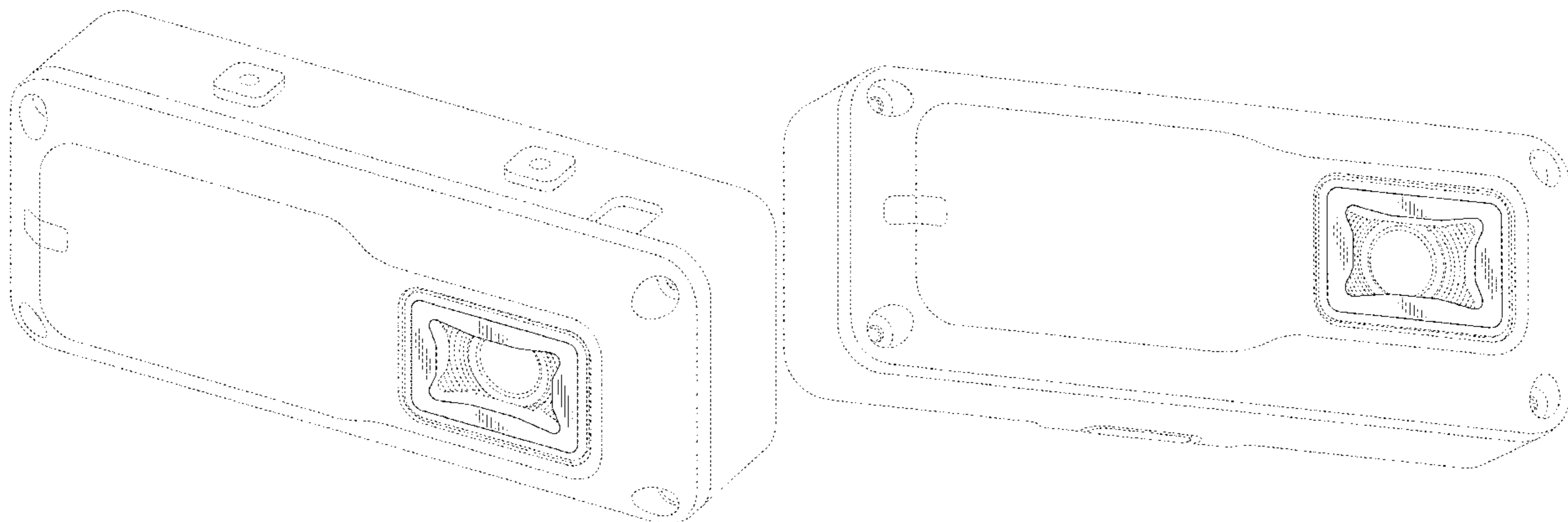


FIG. 1

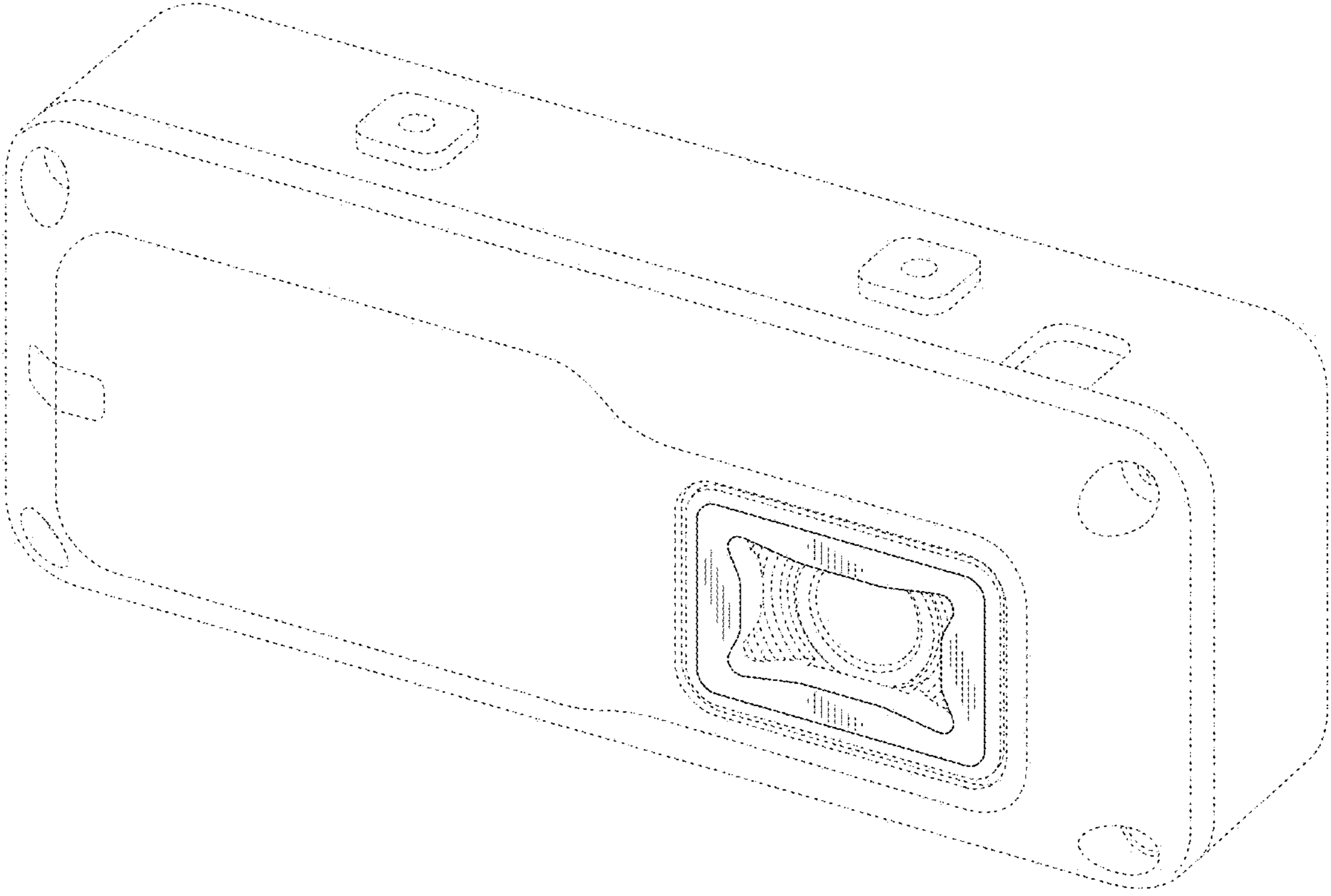


FIG. 2

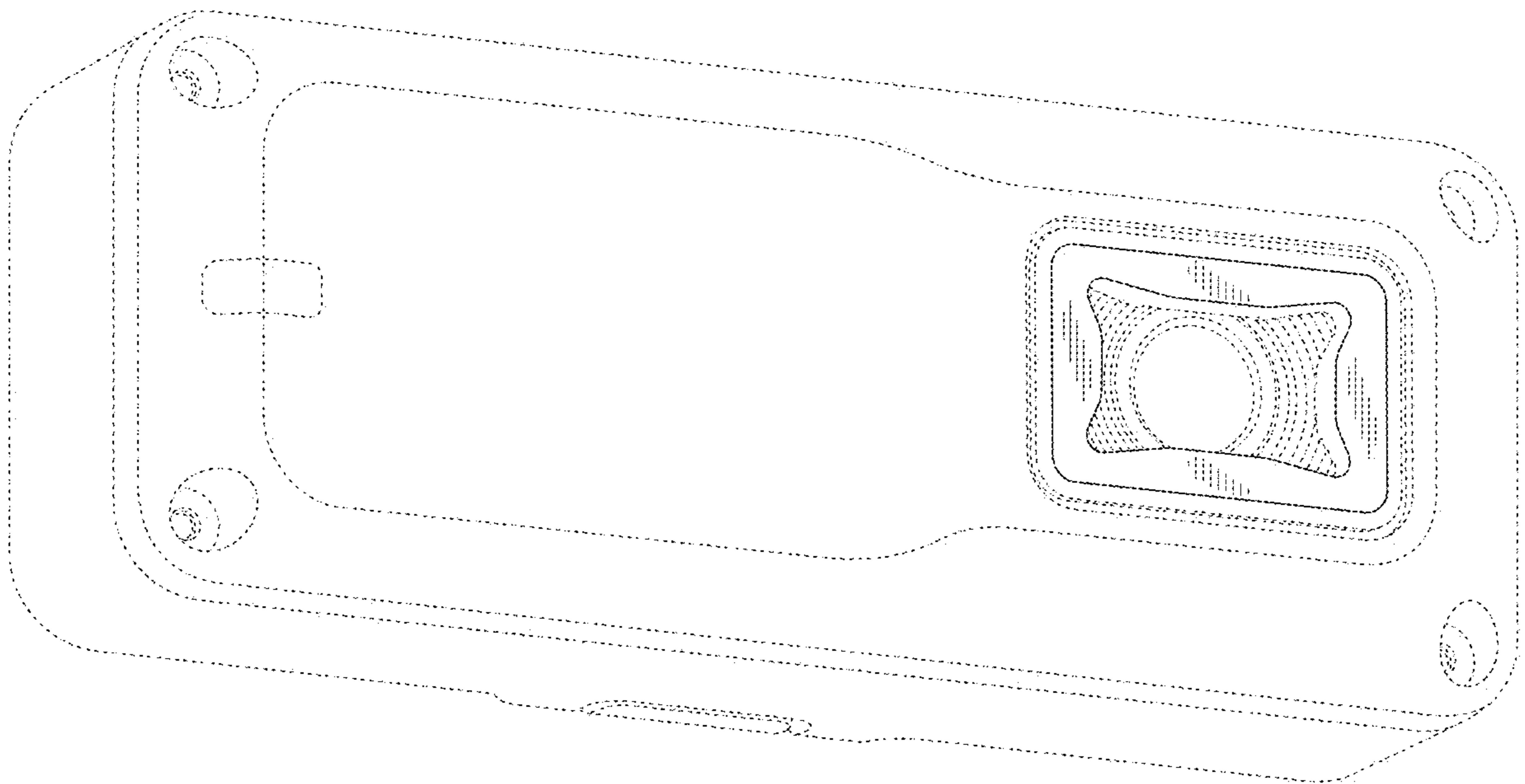


FIG. 3

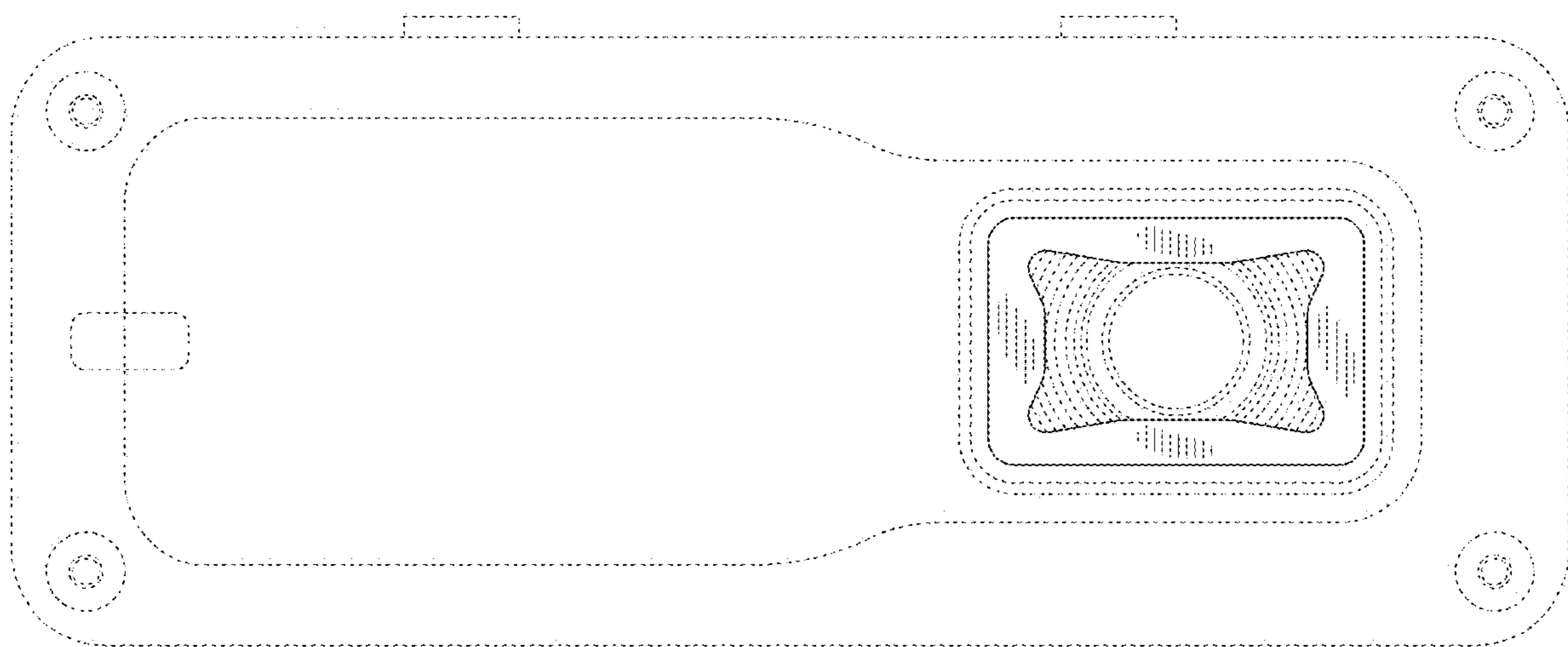


FIG. 4

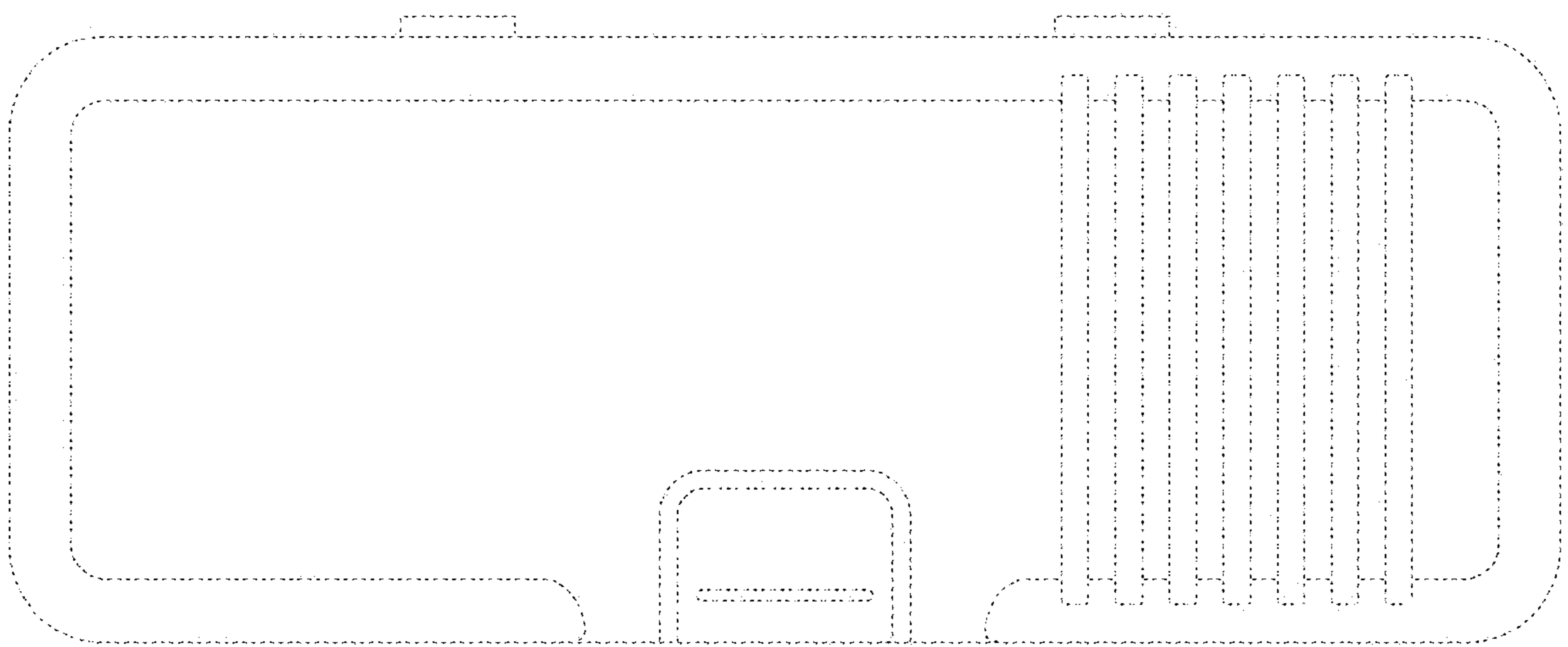


FIG. 5

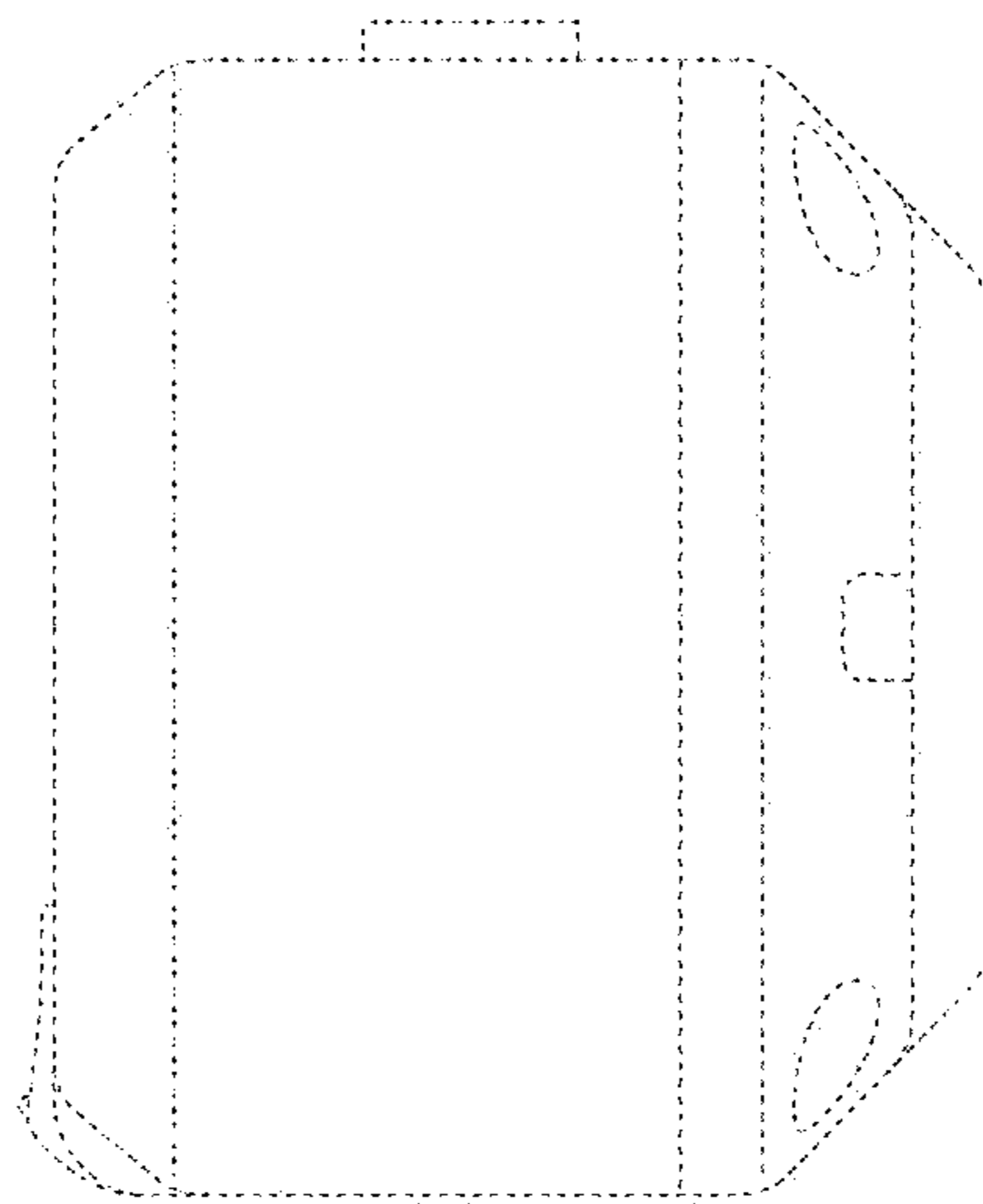


FIG. 6

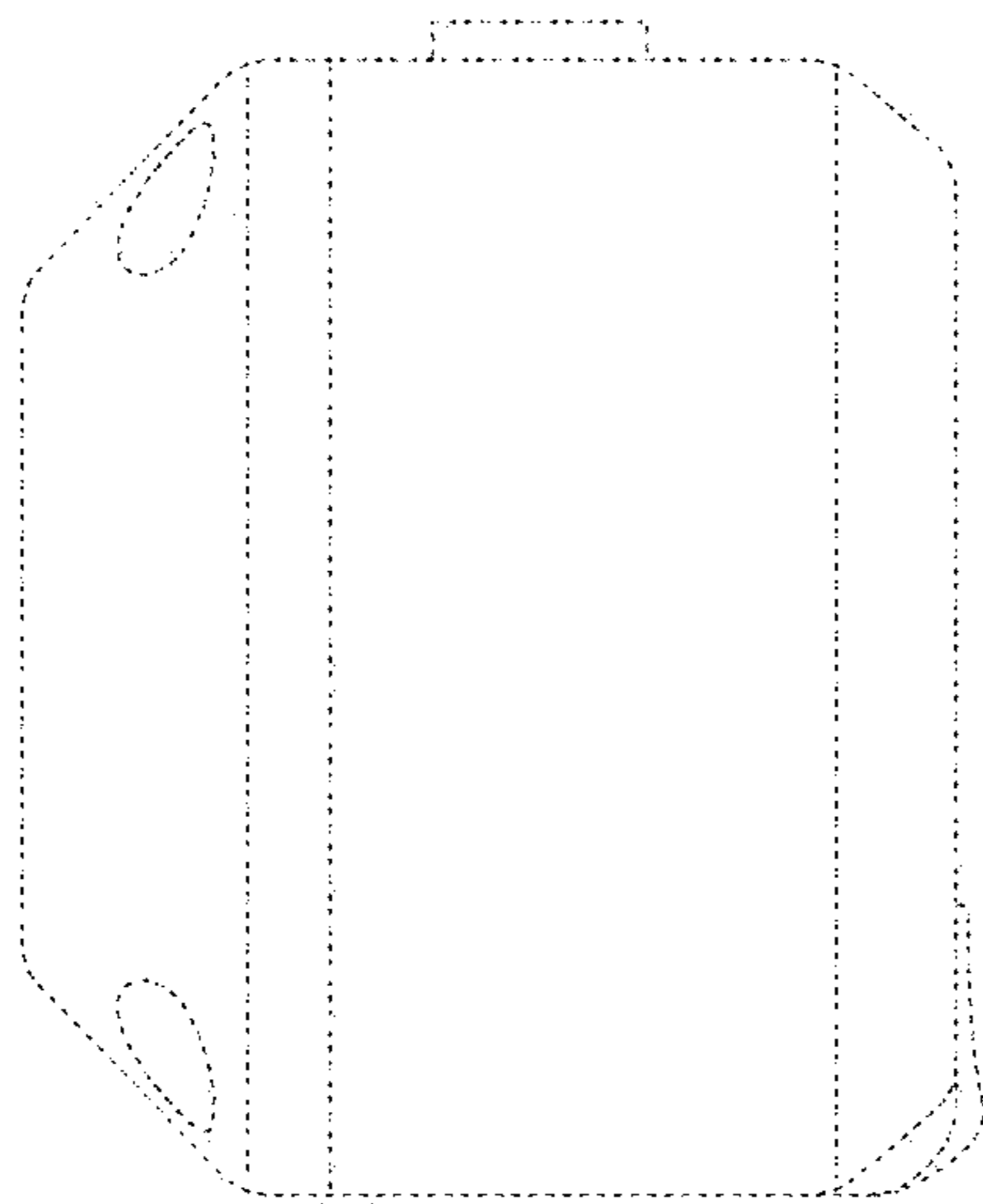


FIG. 7

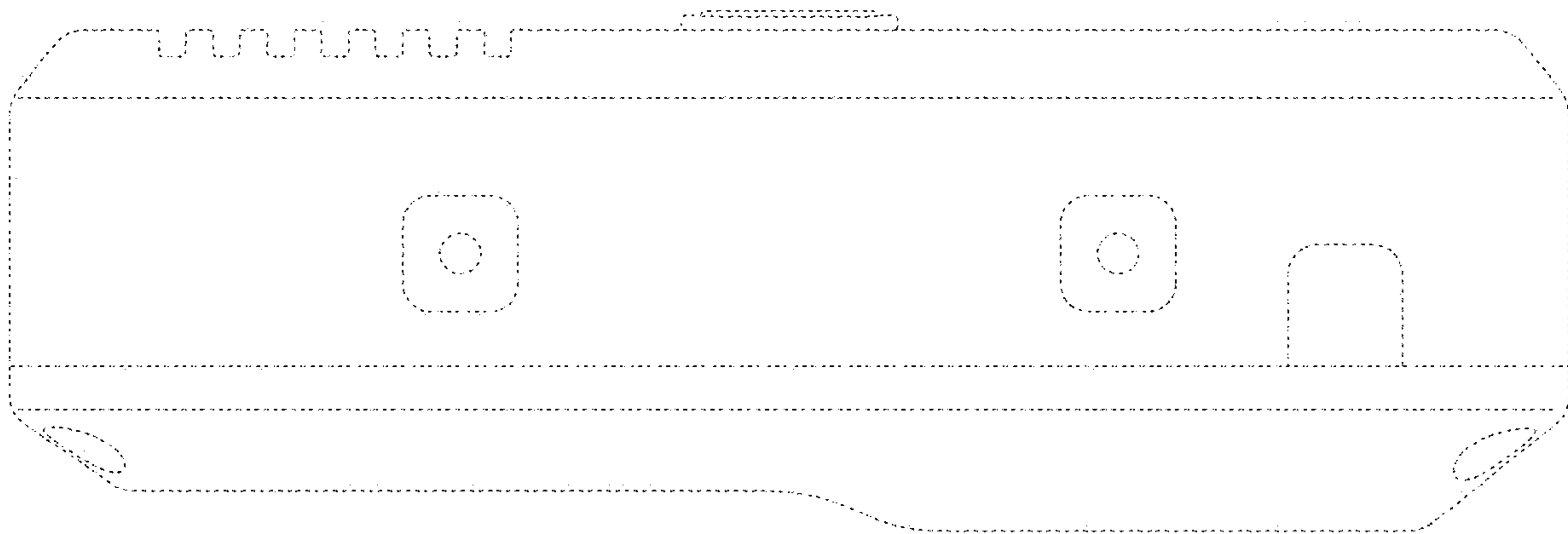




FIG. 8

