



US00D884772S

(12) **United States Design Patent** (10) **Patent No.:** **US D884,772 S**
Sasaki (45) **Date of Patent:** **** May 19, 2020**

(54) **DIGITAL CAMERA**
(71) Applicant: **Panasonic Intellectual Property Management Co., Ltd., Osaka (JP)**
(72) Inventor: **Atsushi Sasaki, Osaka (JP)**
(73) Assignee: **Panasonic Intellectual Property Management Co., Ltd., Osaka (JP)**

D701,550 S * 3/2014 Umehara D16/202
D720,787 S * 1/2015 Tainaka D16/202
D720,793 S * 1/2015 Tajima D16/219
D732,099 S * 6/2015 Nagaoka D16/202
D733,782 S * 7/2015 Sakai D16/202
D738,418 S * 9/2015 Imai D16/202
D746,351 S * 12/2015 Sogabe D16/202
D776,185 S * 1/2017 Nohara D16/219
D777,233 S * 1/2017 Sakai D16/202
2014/0160346 A1 * 6/2014 Komada H04N 5/2171
348/373

(**) Term: **15 Years**
(21) Appl. No.: **29/635,716**
(22) Filed: **Feb. 1, 2018**

FOREIGN PATENT DOCUMENTS

JP D1507294 9/2014

* cited by examiner

Primary Examiner — Ramzi S Almatrahi
(74) *Attorney, Agent, or Firm* — Panasonic IP Management; Kerry S. Culpepper

(30) **Foreign Application Priority Data**
Aug. 8, 2017 (JP) 2017-017042
(51) **LOC (12) Cl.** **16-05**
(52) **U.S. Cl.**
USPC **D16/219**
(58) **Field of Classification Search**
USPC D16/200, 202–206, 208, 218, 219;
348/373–376; 396/535, 539–541
CPC G03B 15/03; G03B 17/02; G03B 17/04;
G03B 17/56; G03B 19/04; H04N 5/2251;
H04N 5/2252; H04N 5/2253; H04N
5/2254; H04N 2101/00
See application file for complete search history.

(57) **CLAIM**

I claim the ornamental design for a digital camera, as shown and described.

DESCRIPTION

FIG. 1 is a front perspective view of a digital camera of the present invention;
FIG. 2 is a rear perspective view thereof;
FIG. 3 is a front view thereof;
FIG. 4 is a rear view thereof;
FIG. 5 is a first side view thereof;
FIG. 6 is a second side view thereof;
FIG. 7 is a top view thereof; and,
FIG. 8 is a bottom view thereof.
The broken lines in the drawings represent portions of the digital camera that form no part of the claimed design.

(56) **References Cited**
U.S. PATENT DOCUMENTS
5,852,752 A * 12/1998 Nakanishi G03B 15/05
396/176
D542,321 S * 5/2007 Takahashi D16/202
D681,090 S * 4/2013 Tainaka D16/200

1 Claim, 8 Drawing Sheets

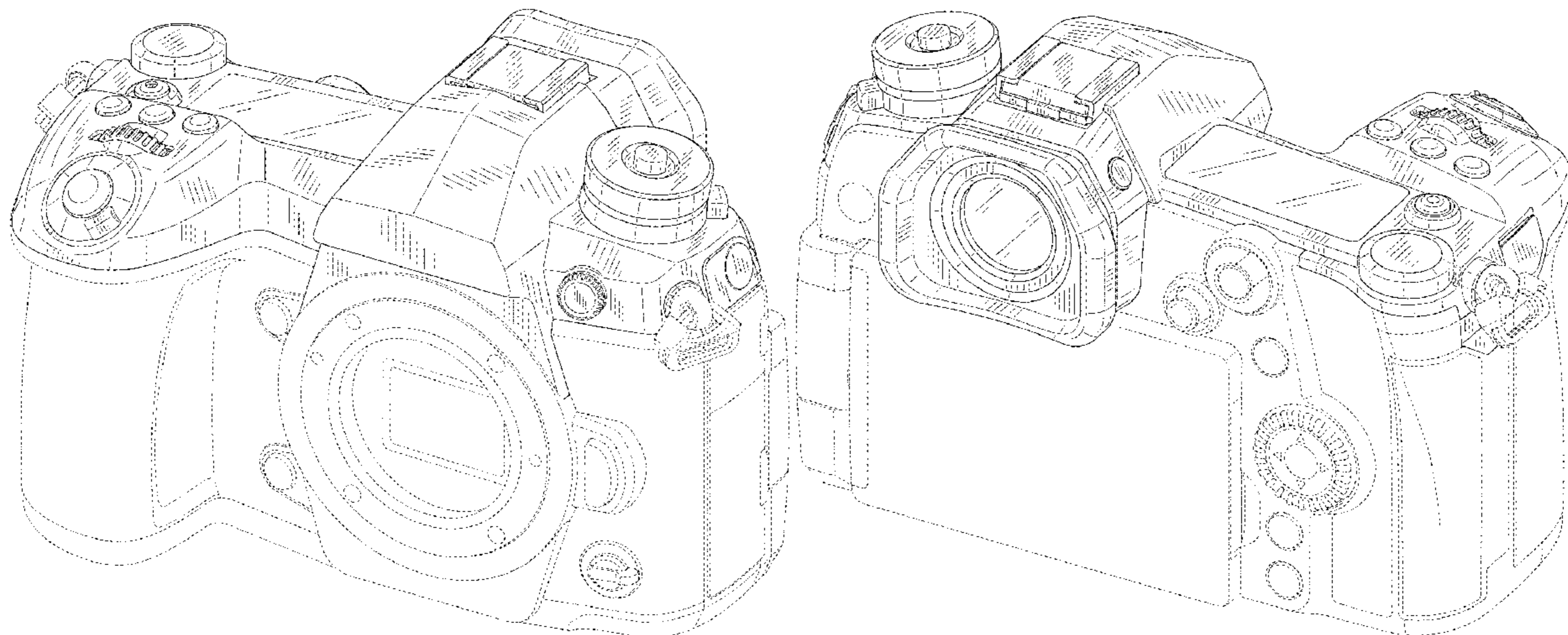


FIG. 1

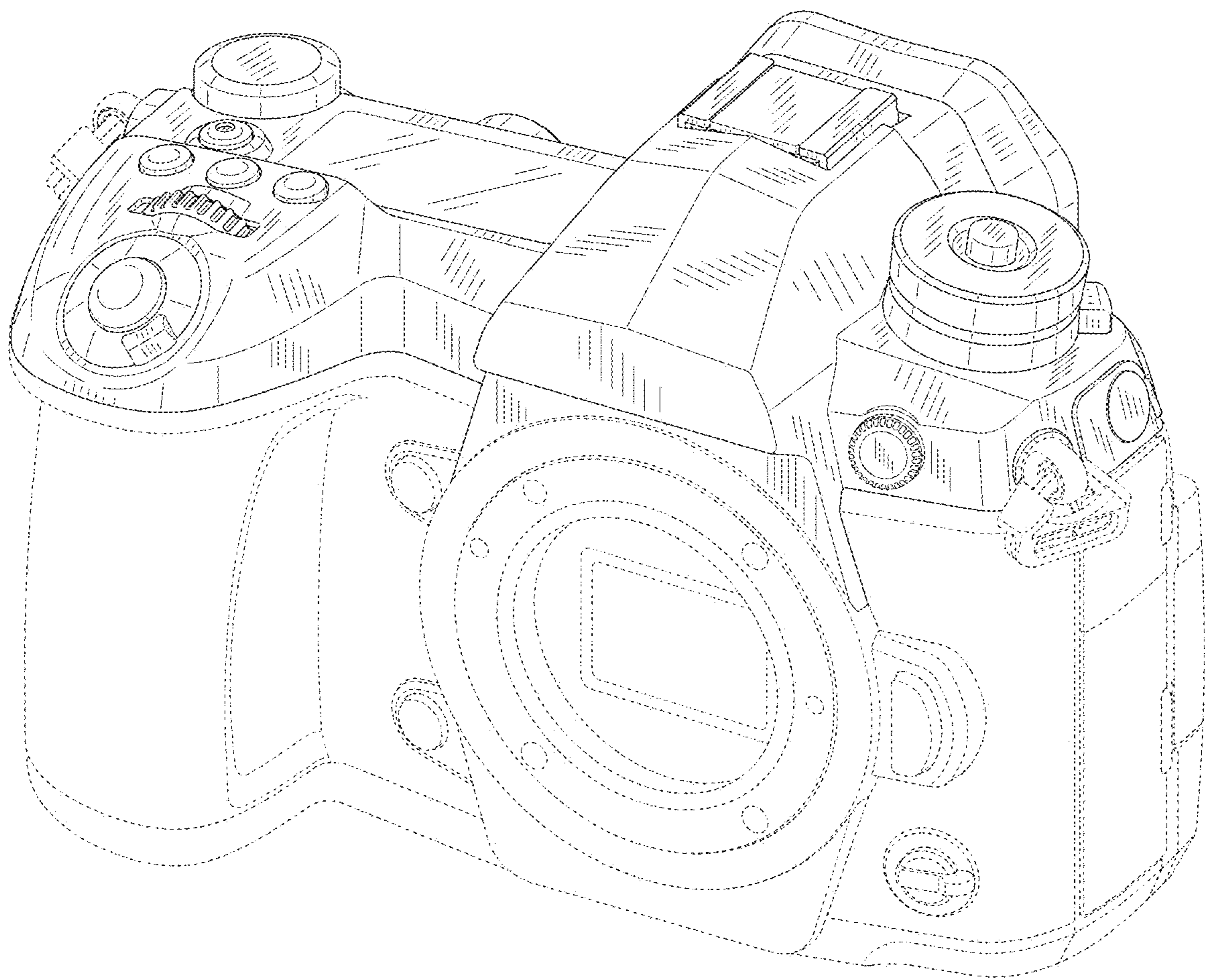


FIG. 2

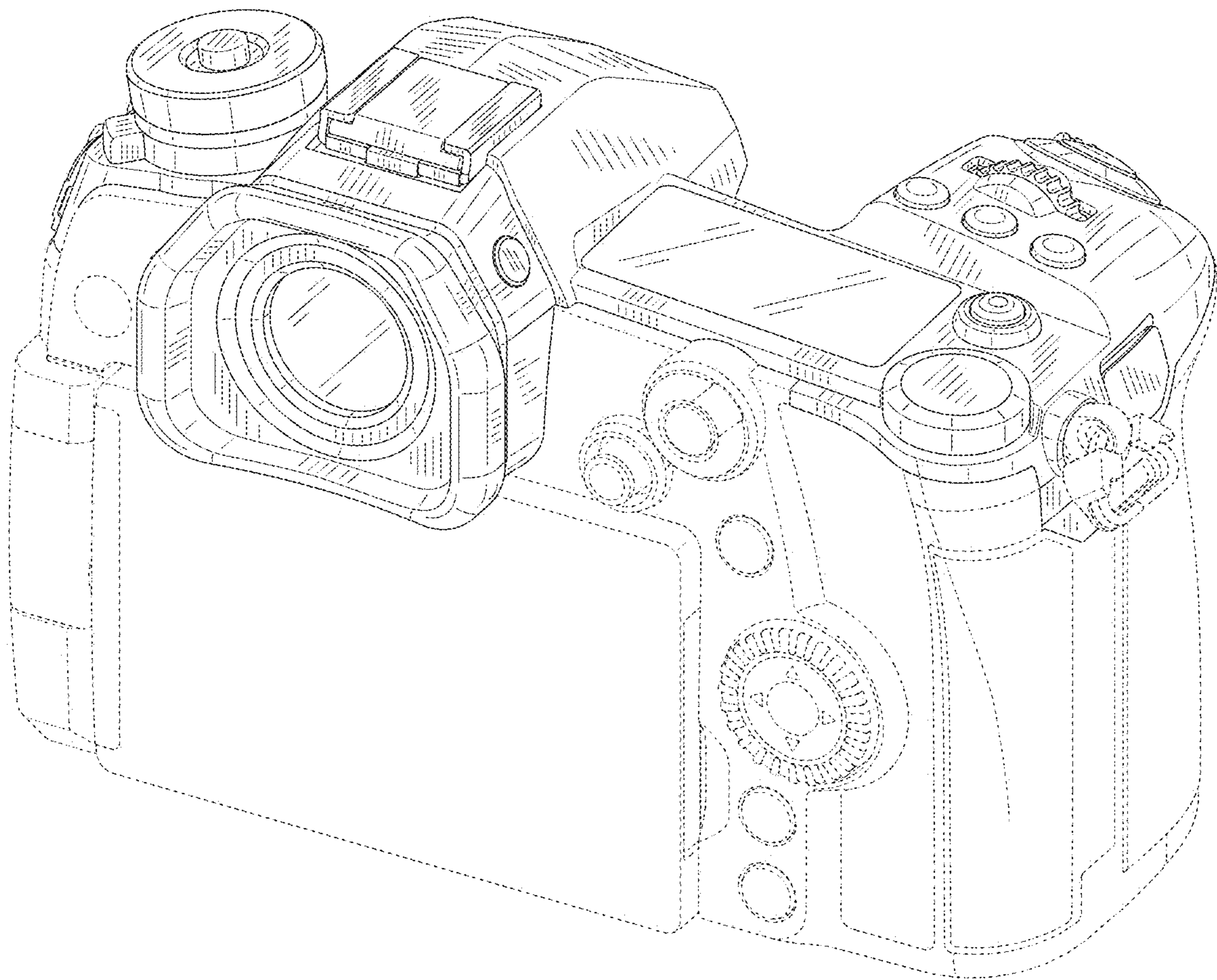


FIG. 3

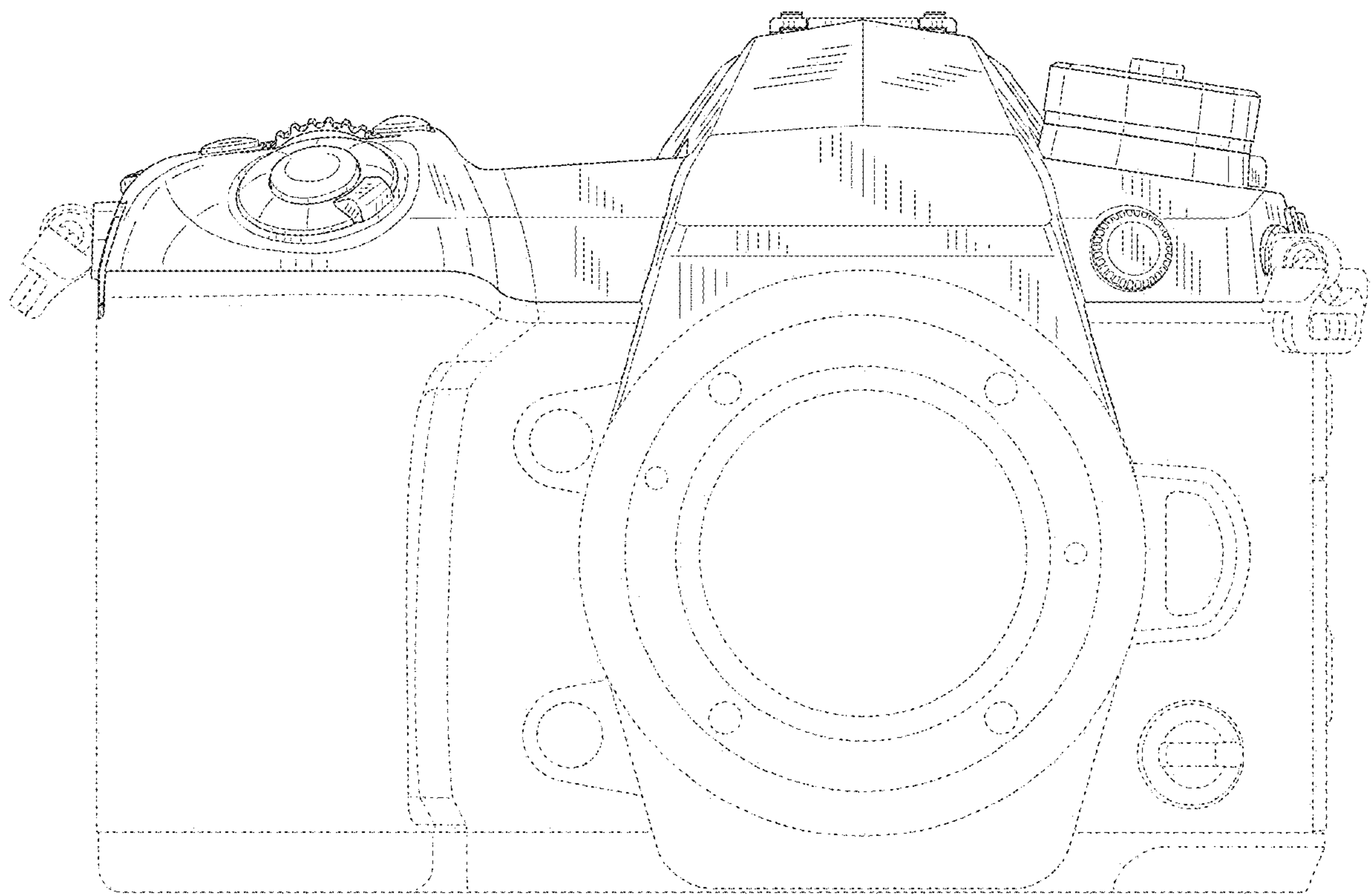


FIG. 4

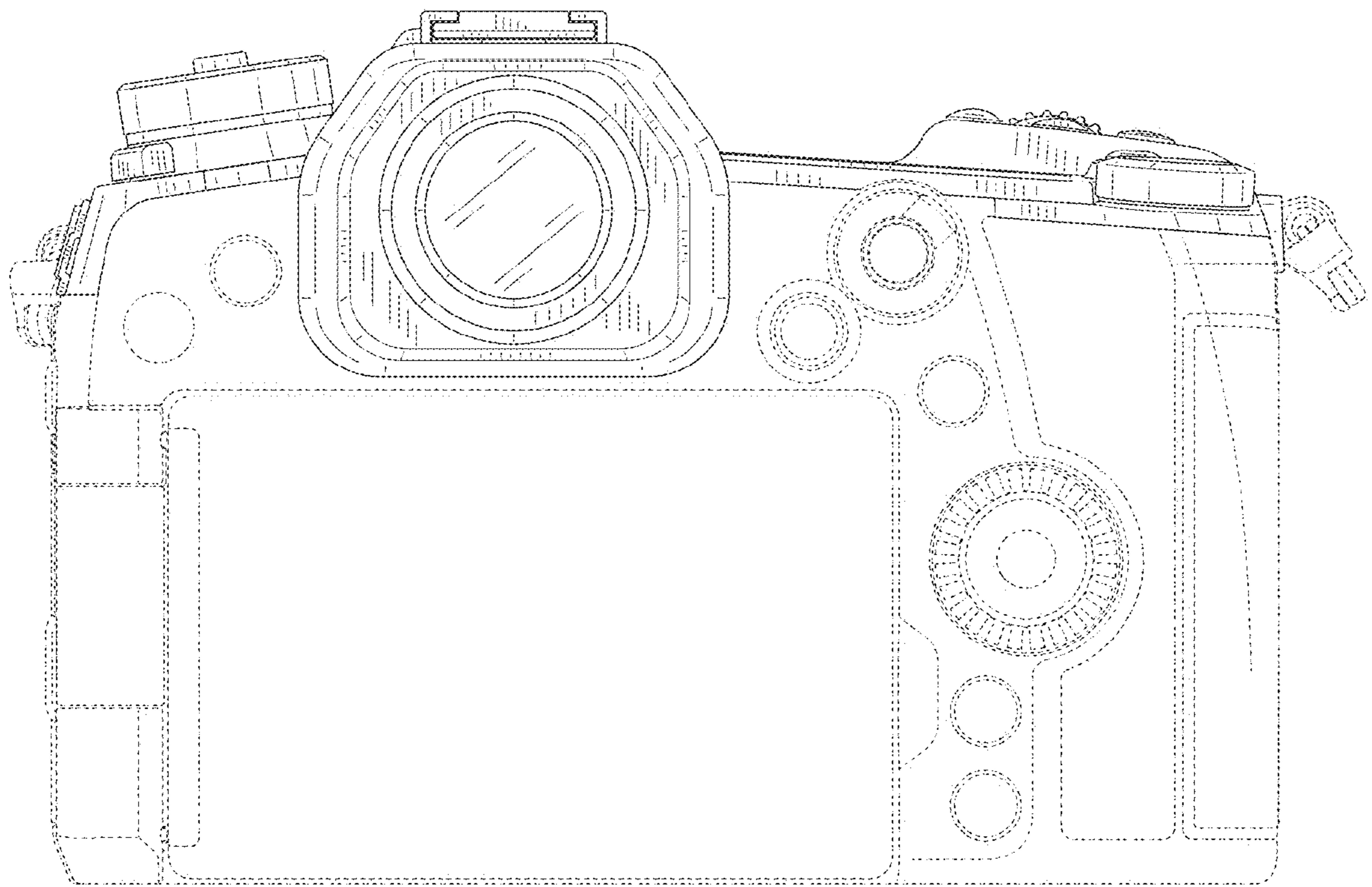


FIG. 5

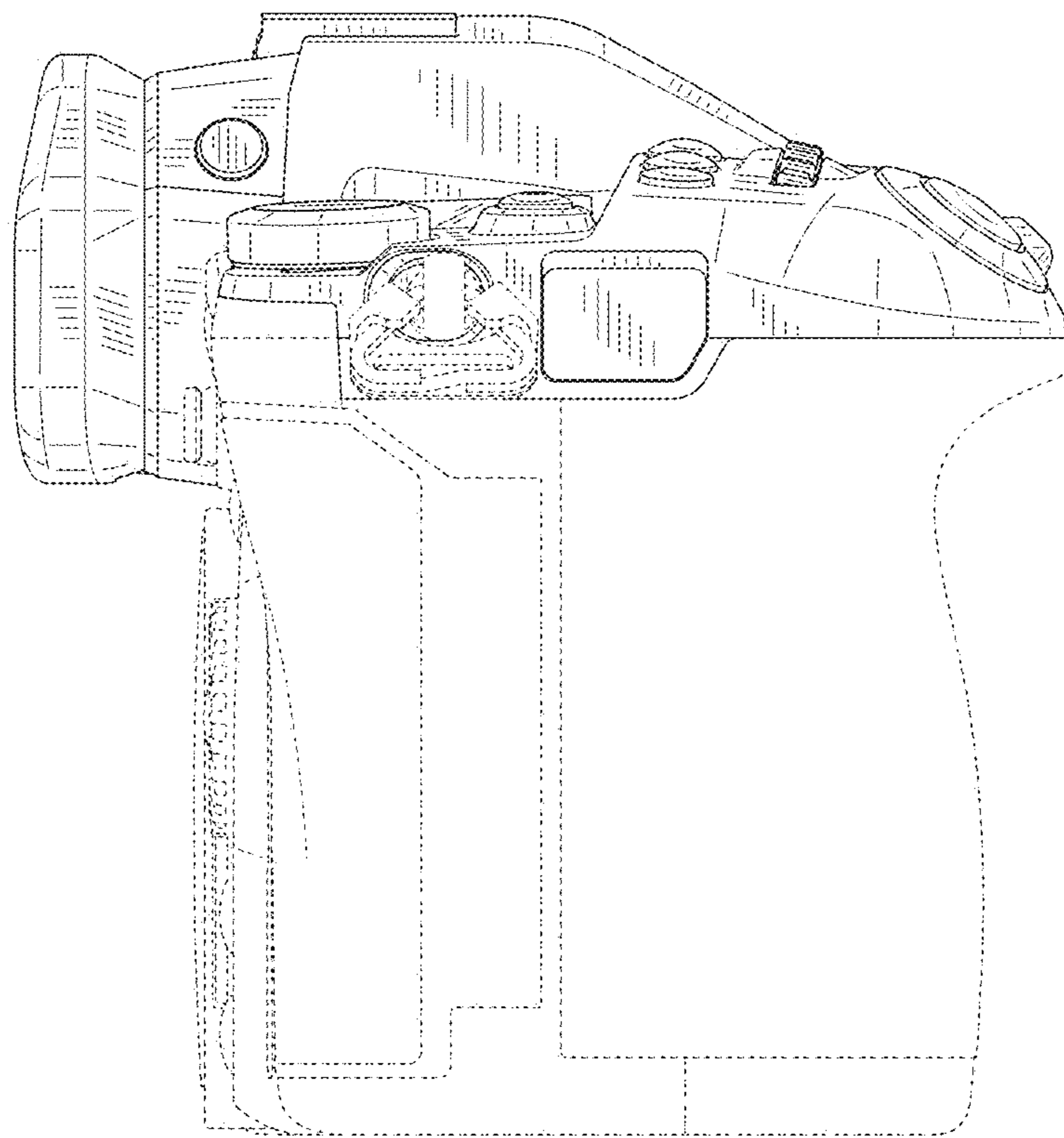


FIG. 6

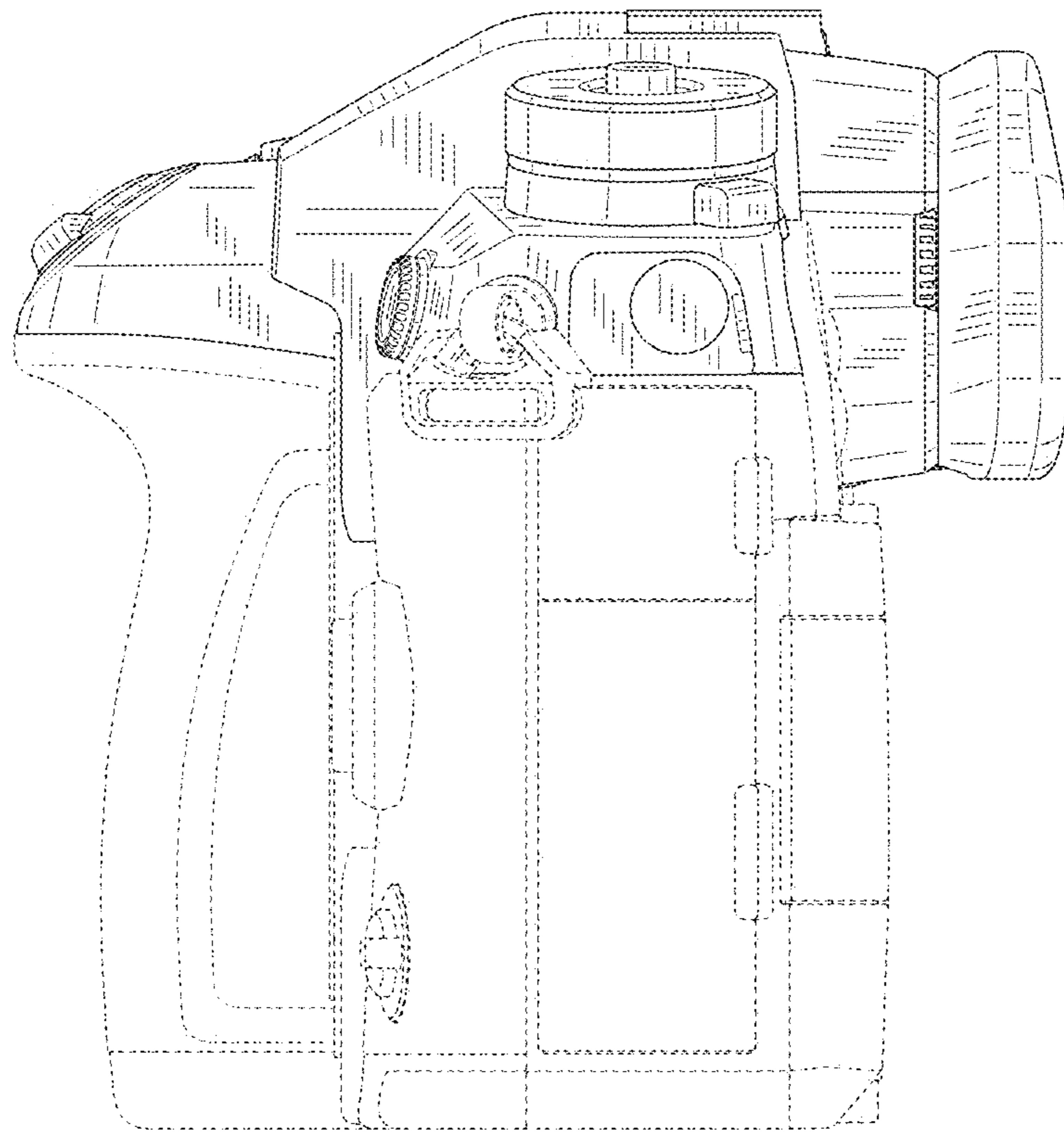


FIG. 7

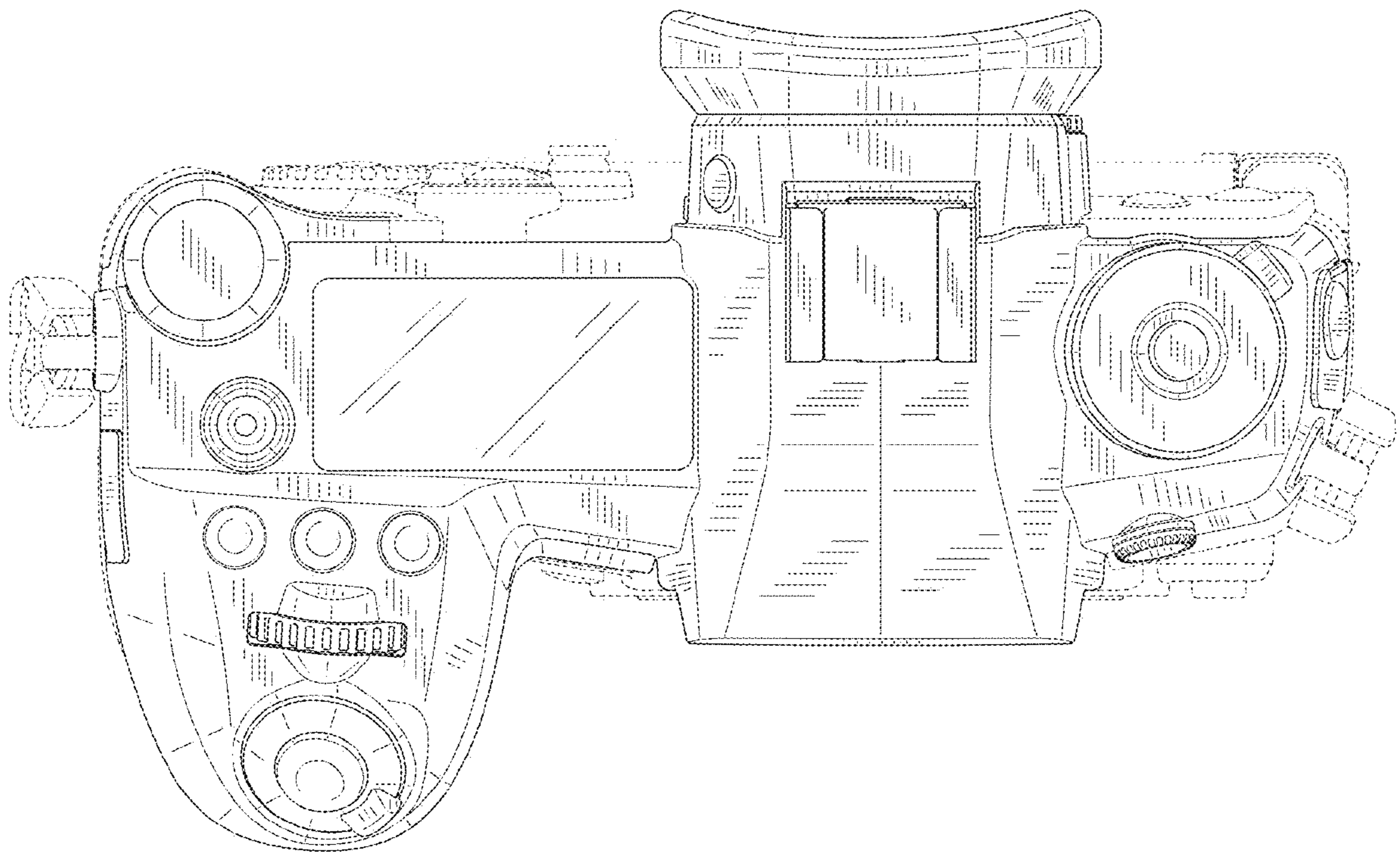


FIG. 8

