



US00D884771S

(12) **United States Design Patent**
Wang

(10) **Patent No.:** **US D884,771 S**

(45) **Date of Patent:** **** May 19, 2020**

(54) **MULTISPECTRAL CAMERA**

(56) **References Cited**

(71) Applicant: **AUTEL ROBOTICS CO., LTD.**,
Shenzhen (CN)

(72) Inventor: **Yongshuai Wang**, Shenzhen (CN)

(73) Assignee: **AUTEL ROBOTICS CO., LTD.**,
Shenzhen (CN)

(**) Term: **15 Years**

(21) Appl. No.: **29/647,074**

(22) Filed: **May 9, 2018**

(30) **Foreign Application Priority Data**

Dec. 27, 2017 (CN) 2017 3 0673913

(51) **LOC (12) Cl.** **16-01**

(52) **U.S. Cl.**
USPC **D16/218**

(58) **Field of Classification Search**
USPC D16/200, 202–206, 218, 219, 242;
D10/106.2, 106.3, 106.5, 118.1, 118.2;
348/143, 148, 151, 373–376; 396/419,
396/427, 535, 539–541
CPC G03B 17/02; G03B 19/04; G03B 17/56;
G03B 17/04; G03B 15/03; H04N 5/2251;
H04N 5/2252; H04N 5/2253; H04N
5/2254; H04N 7/181; H04N 7/183; H04N
7/18; G08B 13/1963; G08B 13/19619;
G08B 13/19632

See application file for complete search history.

U.S. PATENT DOCUMENTS

D396,869 S *	8/1998	Yamakawa	D16/202
D636,424 S *	4/2011	Lin	D16/202
D649,573 S *	11/2011	Al	D16/202
D697,119 S *	1/2014	Park	D16/202
D698,841 S *	2/2014	Lee	D16/202
D743,467 S *	11/2015	Bhattacharya	D16/203
D788,834 S *	6/2017	Bhattacharya	D16/203
D790,000 S *	6/2017	Wang	D16/200
D798,943 S *	10/2017	Hu	D16/243
D799,374 S *	10/2017	Zhou	D12/16.1
D810,805 S *	2/2018	Loew	D16/203
D813,924 S *	3/2018	Zheng	D16/203

* cited by examiner

Primary Examiner — Ramzi S Almatrahi

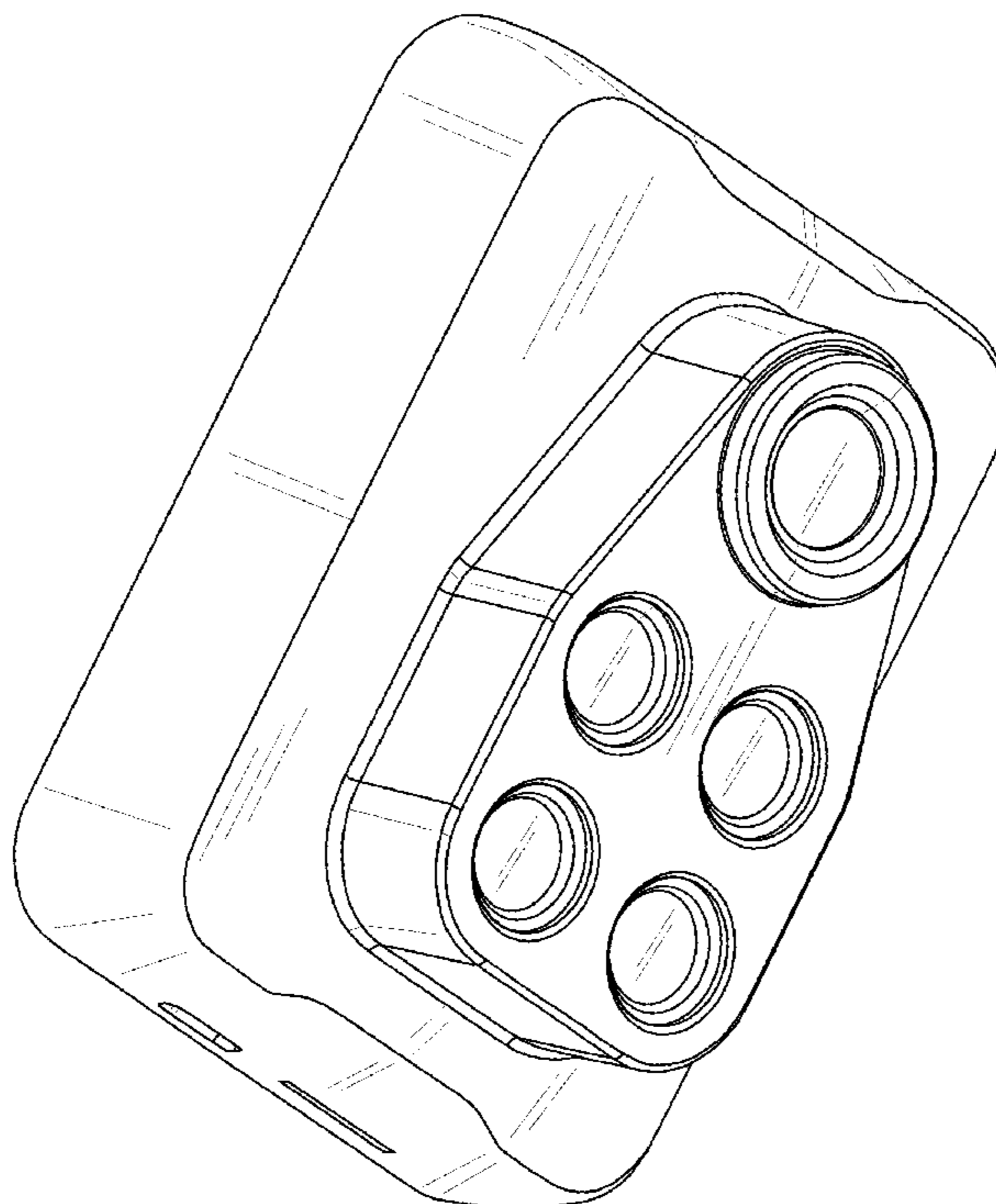
(57) **CLAIM**

The ornamental design for a multispectral camera, as shown and described.

DESCRIPTION

FIG. 1 is a front elevational view of a multispectral camera showing my new design;
FIG. 2 is a rear elevational view thereof;
FIG. 3 is a left side elevational view thereof;
FIG. 4 is a right side elevational view thereof;
FIG. 5 is a top plan view thereof;
FIG. 6 is a bottom plan view thereof; and,
FIG. 7 is a perspective view thereof.
The broken lines in the drawings are included to show portions of the article that form no part of the claimed design.

1 Claim, 6 Drawing Sheets



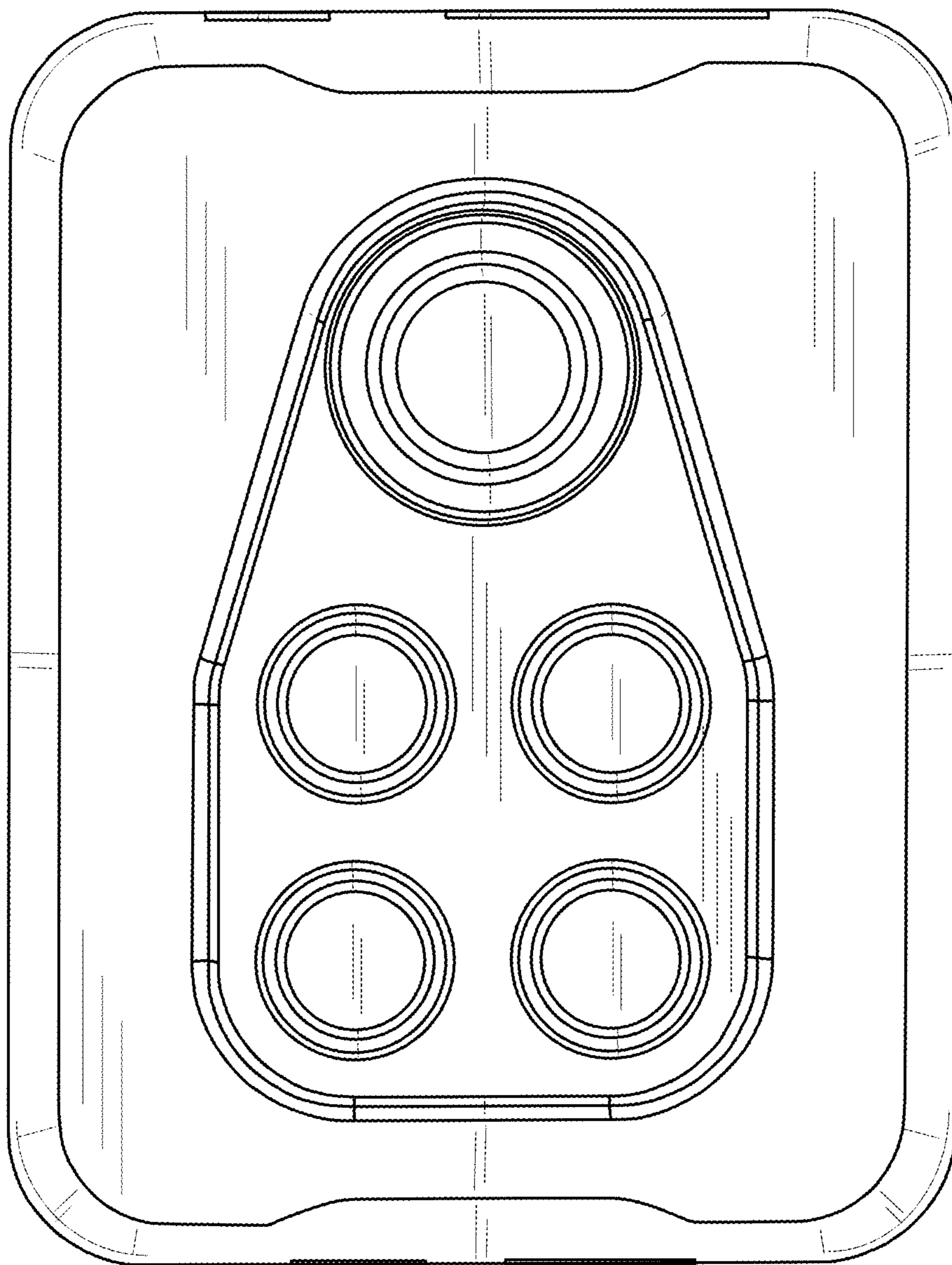


FIG. 1

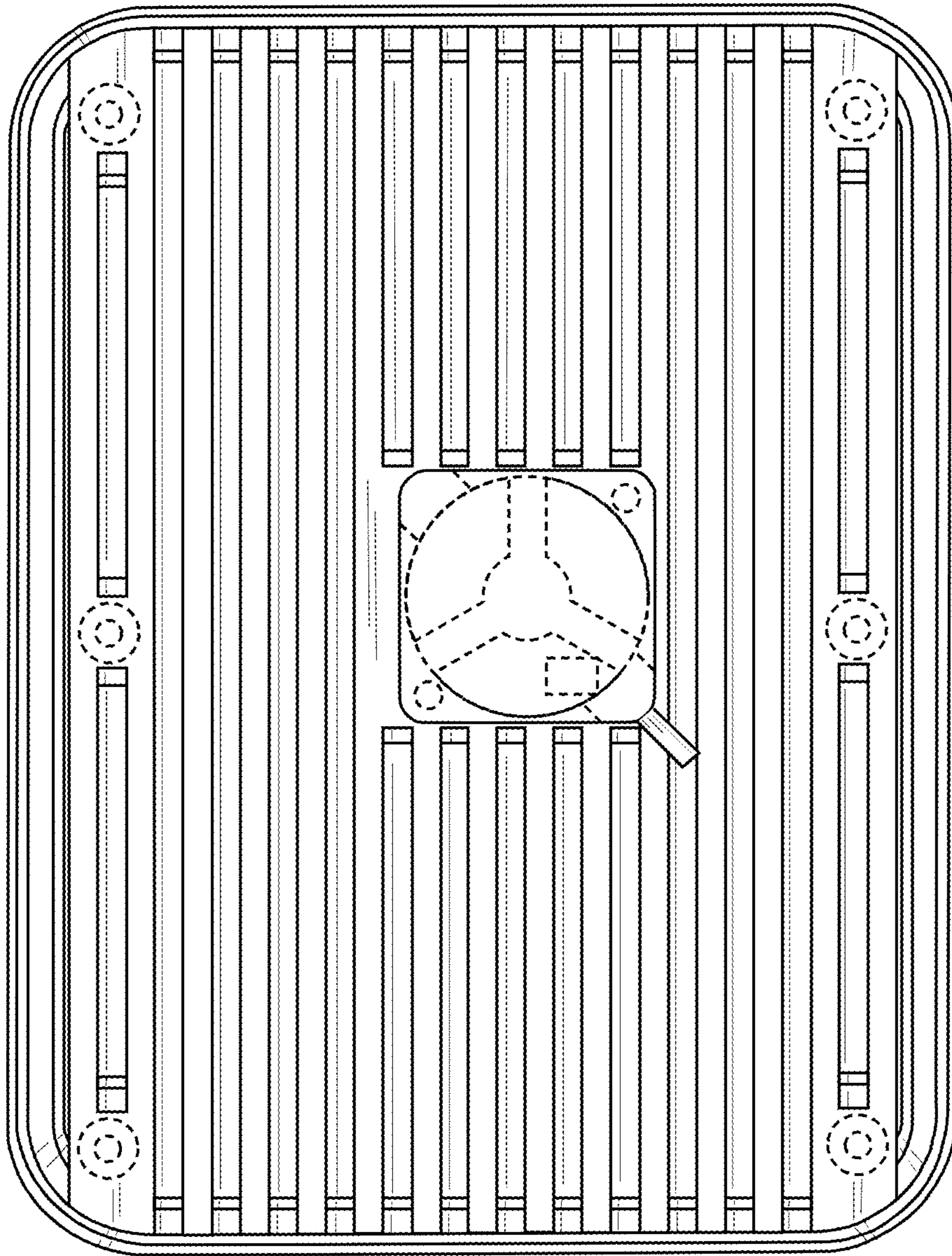


FIG. 2



FIG. 3

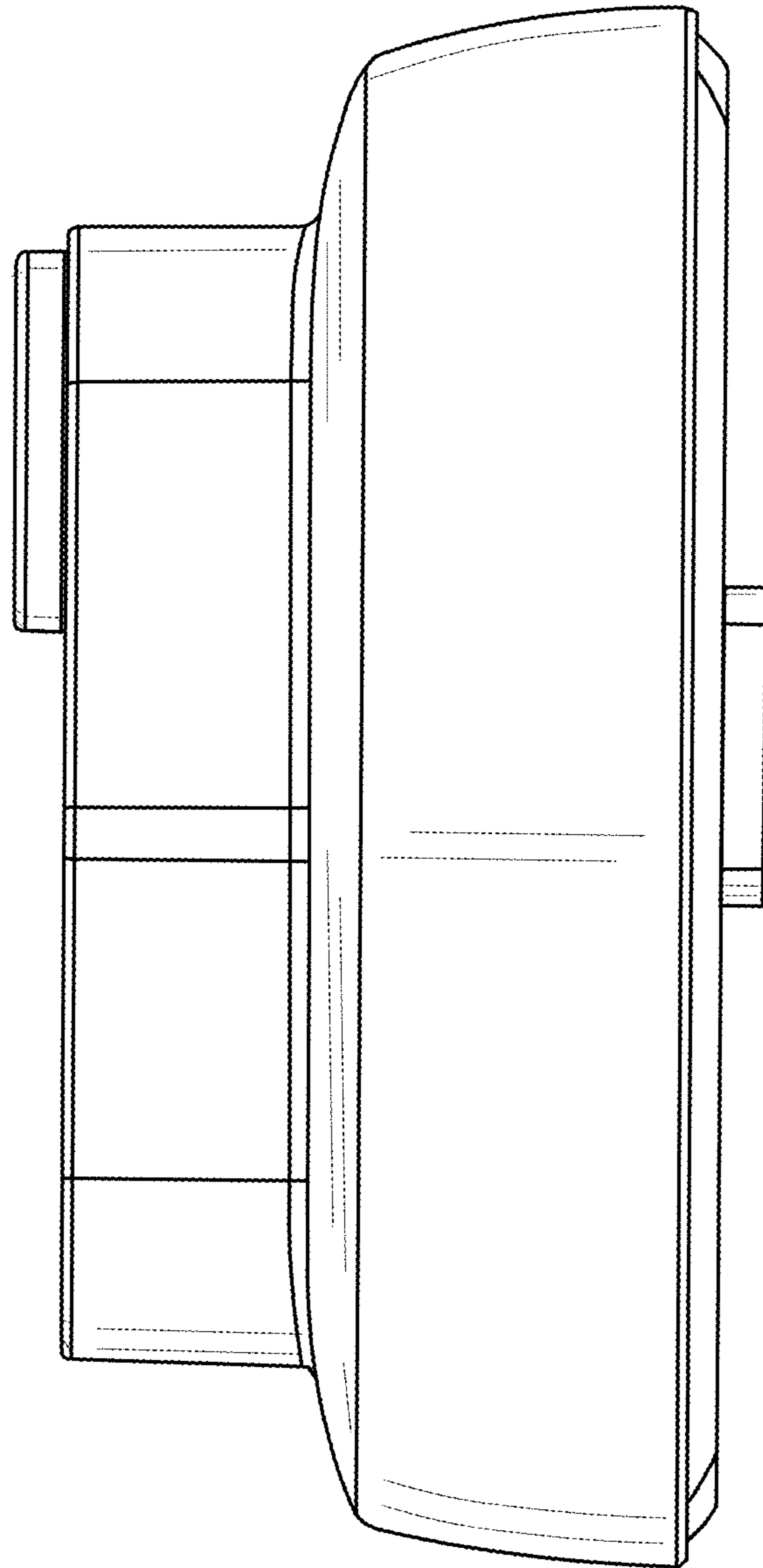


FIG. 4

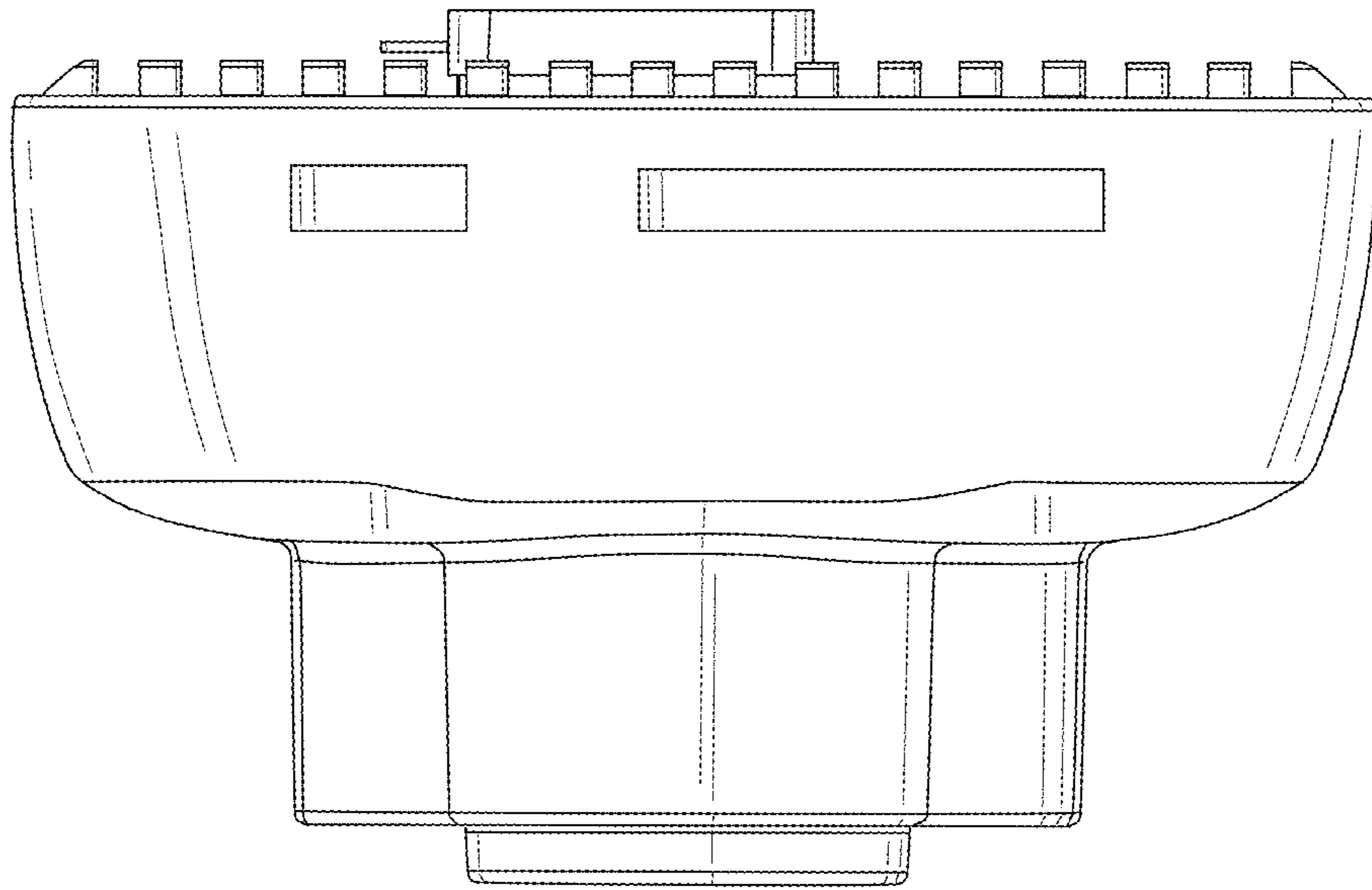


FIG. 5

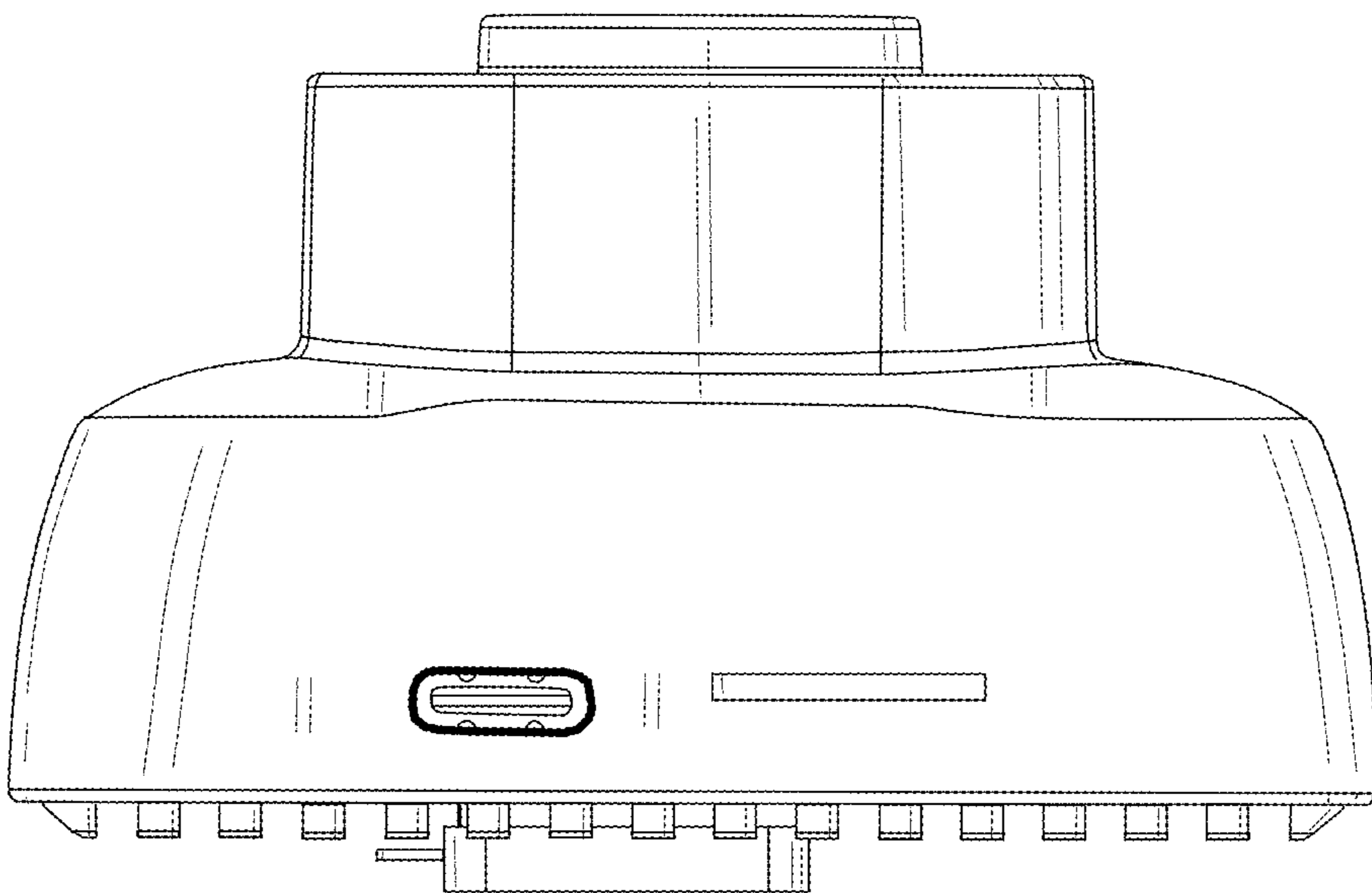


FIG. 6

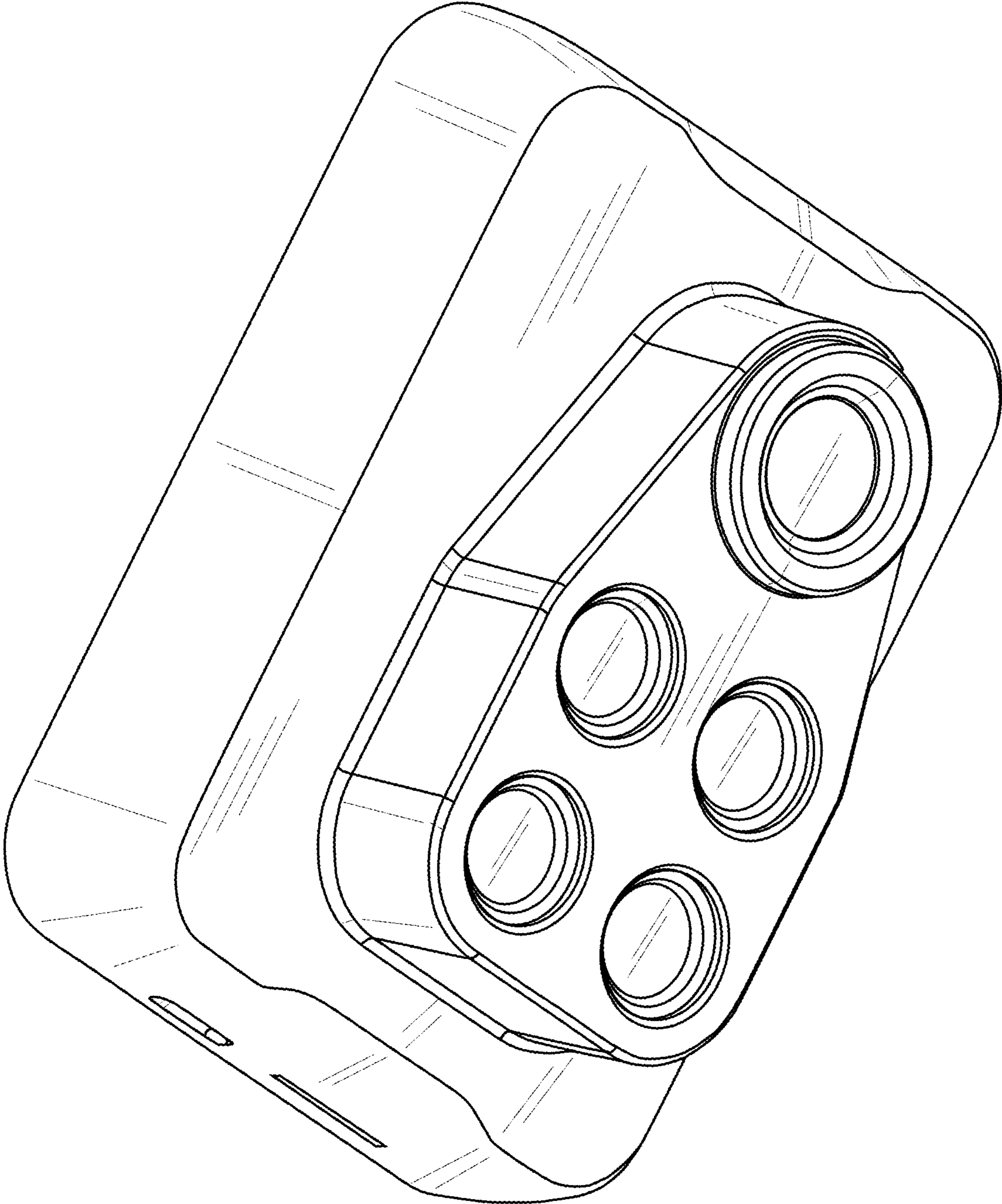


FIG. 7