



US00D884769S

(12) **United States Design Patent**  
**Katori**

(10) **Patent No.:** **US D884,769 S**

(45) **Date of Patent:** **\*\* May 19, 2020**

- (54) **SURVEILLANCE CAMERA**
- (71) Applicant: **Panasonic i-PRO Sensing Solutions Co., Ltd.**, Fukuoka, Fukuoka (JP)
- (72) Inventor: **Takehito Katori**, Kanagawa (JP)
- (73) Assignee: **Panasonic i-PRO Sensing Solutions Co., Ltd.**, Fukuoka (JP)
- (\*\*) Term: **15 Years**
- (21) Appl. No.: **29/681,576**
- (22) Filed: **Feb. 26, 2019**

- D542,319 S 5/2007 Ishida et al.
- D552,650 S \* 10/2007 Yamakawa ..... D16/203
- D562,870 S 2/2008 Komatsu et al.
- D583,845 S \* 12/2008 Hayashi ..... D14/130
- D608,811 S 1/2010 Frank et al.
- D609,732 S 2/2010 Frank et al.
- D626,984 S \* 11/2010 Miyaji ..... D16/202
- 8,695,258 B2 \* 4/2014 Kori ..... G09F 7/06  
40/663
- D723,395 S 3/2015 Dispenza et al.
- D737,698 S 9/2015 Dispenza et al.
- D741,389 S \* 10/2015 Park ..... D16/203
- D783,076 S \* 4/2017 Ravat ..... D16/203
- D813,290 S \* 3/2018 Song ..... D16/203
- D813,926 S \* 3/2018 Shin ..... D16/203
- D818,027 S \* 5/2018 Ravat ..... D16/203
- D836,148 S \* 12/2018 Jeong ..... D16/203

(30) **Foreign Application Priority Data**

Dec. 20, 2018 (JP) ..... 2018-027874

(51) **LOC (12) Cl.** ..... **16-01**

(52) **U.S. Cl.**  
USPC ..... **D16/203**

(58) **Field of Classification Search**  
USPC ..... D16/200, 202–205, 208, 218, 219, 242;  
348/143, 148, 151, 373–376; 396/419,  
396/427, 535, 539–541  
CPC ..... G03B 17/02; G03B 19/04; G03B 17/56;  
G03B 17/04; G03B 15/03; H04N 5/2251;  
H04N 5/2252; H04N 5/2253; H04N  
5/2254; H04N 7/181; H04N 7/183; H04N  
7/18; G08B 13/1963; G08B 13/19619;  
G08B 13/19632; F16M 11/04; F16M  
13/00  
See application file for complete search history.

(56) **References Cited**

**U.S. PATENT DOCUMENTS**

- D424,087 S 5/2000 Frick et al.
- D489,742 S 5/2004 Nagai

\* cited by examiner

*Primary Examiner* — Ramzi S Almatrahi

(74) *Attorney, Agent, or Firm* — Brinks Gilson & Lione

(57) **CLAIM**

I claim the ornamental design for a surveillance camera, as shown and described.

**DESCRIPTION**

FIG. 1 is a front perspective view of a surveillance camera showing my new design;

FIG. 2 is a rear perspective view thereof;

FIG. 3 is a front view thereof;

FIG. 4 is a rear view thereof;

FIG. 5 is a left side view thereof;

FIG. 6 is a right side view thereof;

FIG. 7 is a top view thereof; and,

FIG. 8 is a bottom view thereof.

The broken lines depict portions of the surveillance camera in which the design is embodied that form no part of the claimed design.

**1 Claim, 8 Drawing Sheets**

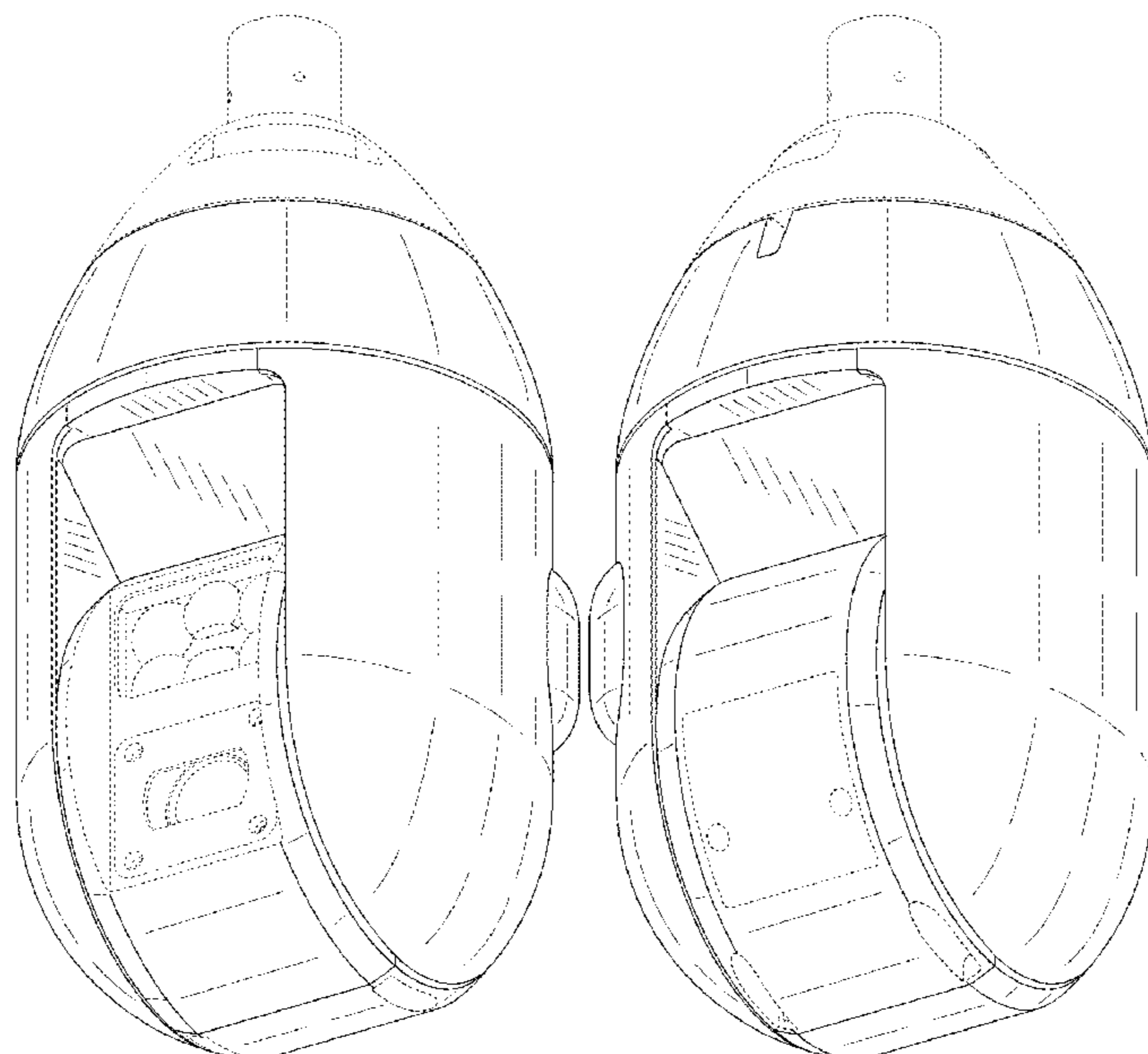


FIG. 1

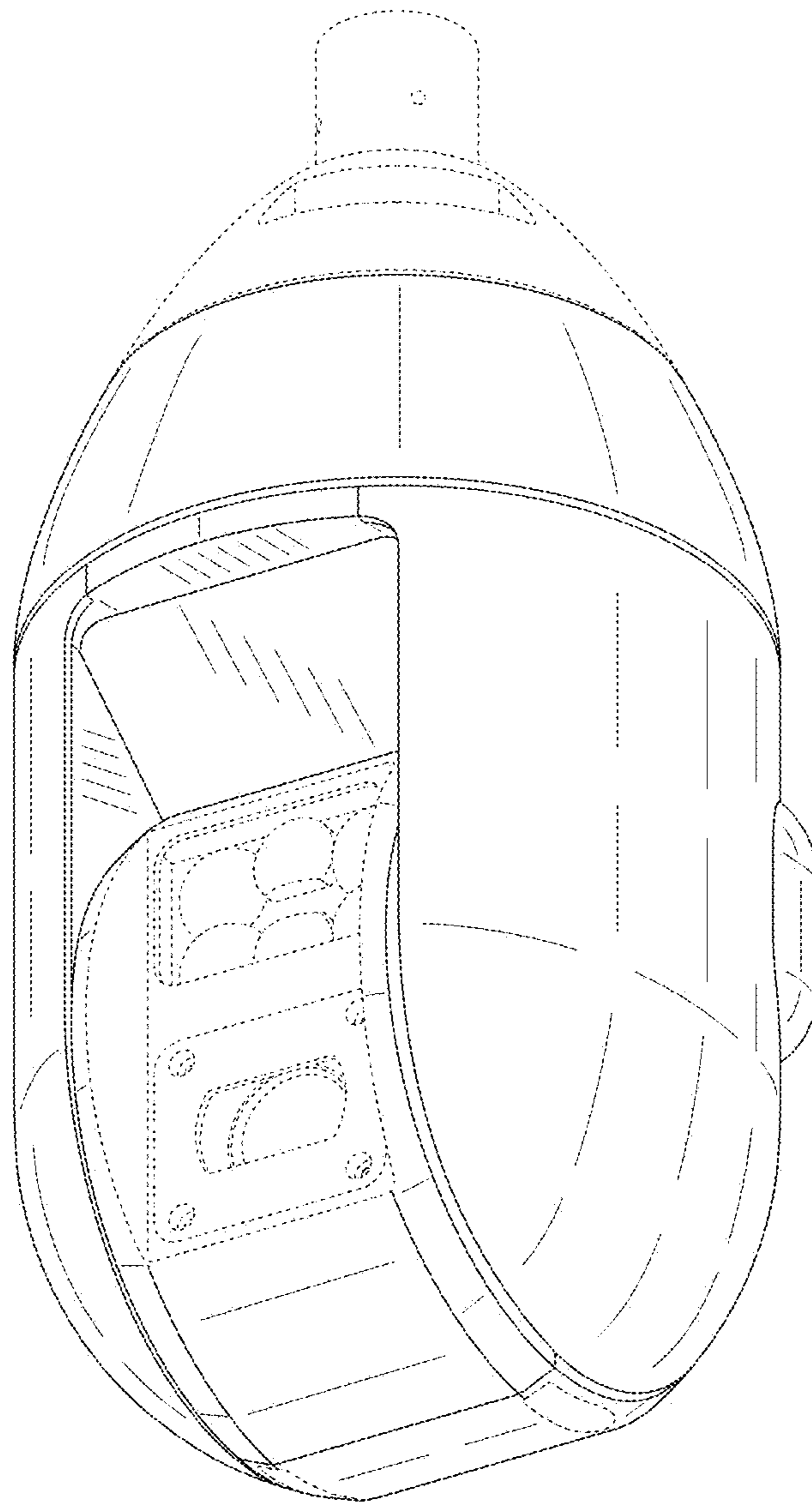


FIG. 2

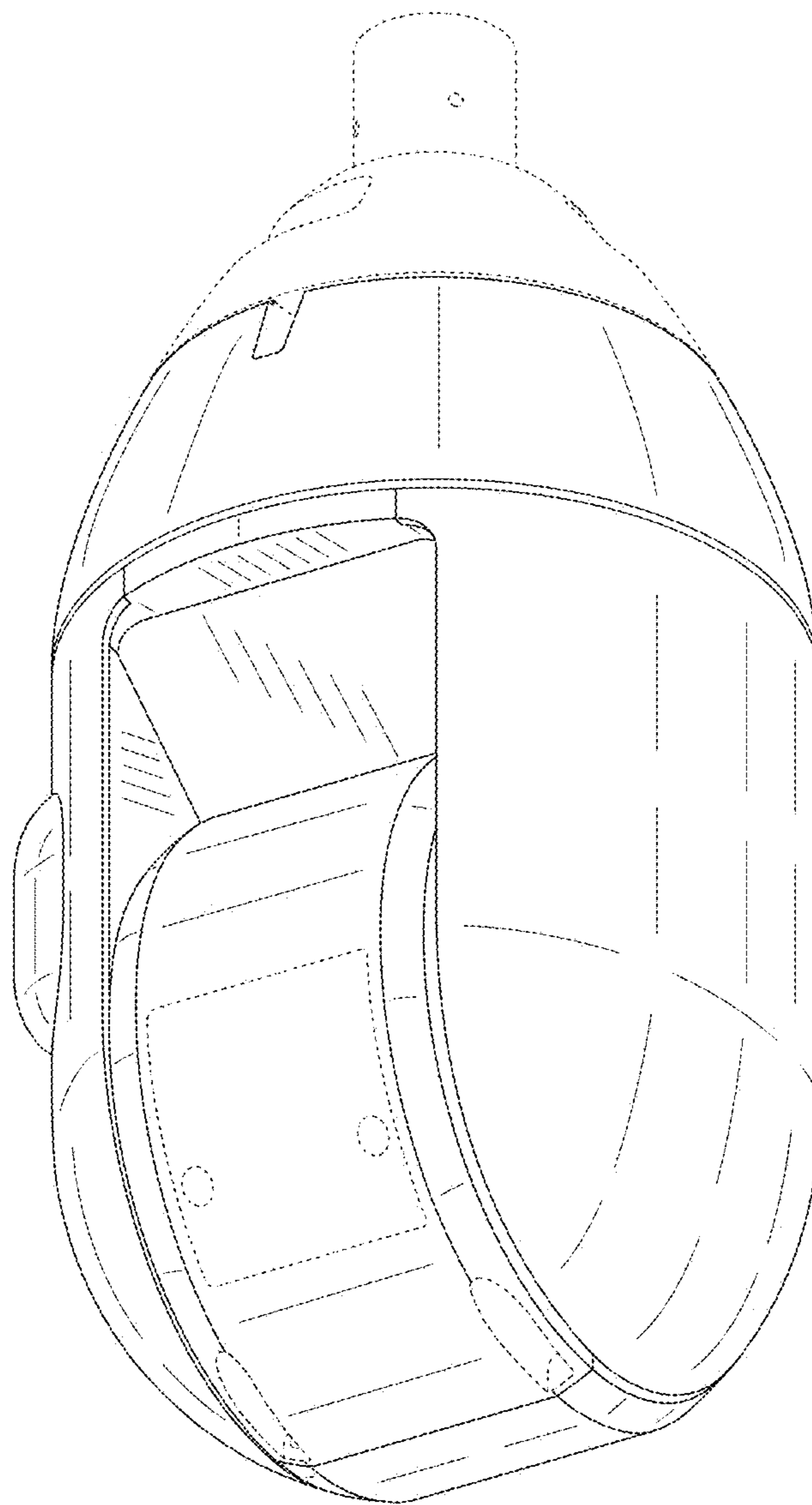


FIG. 3

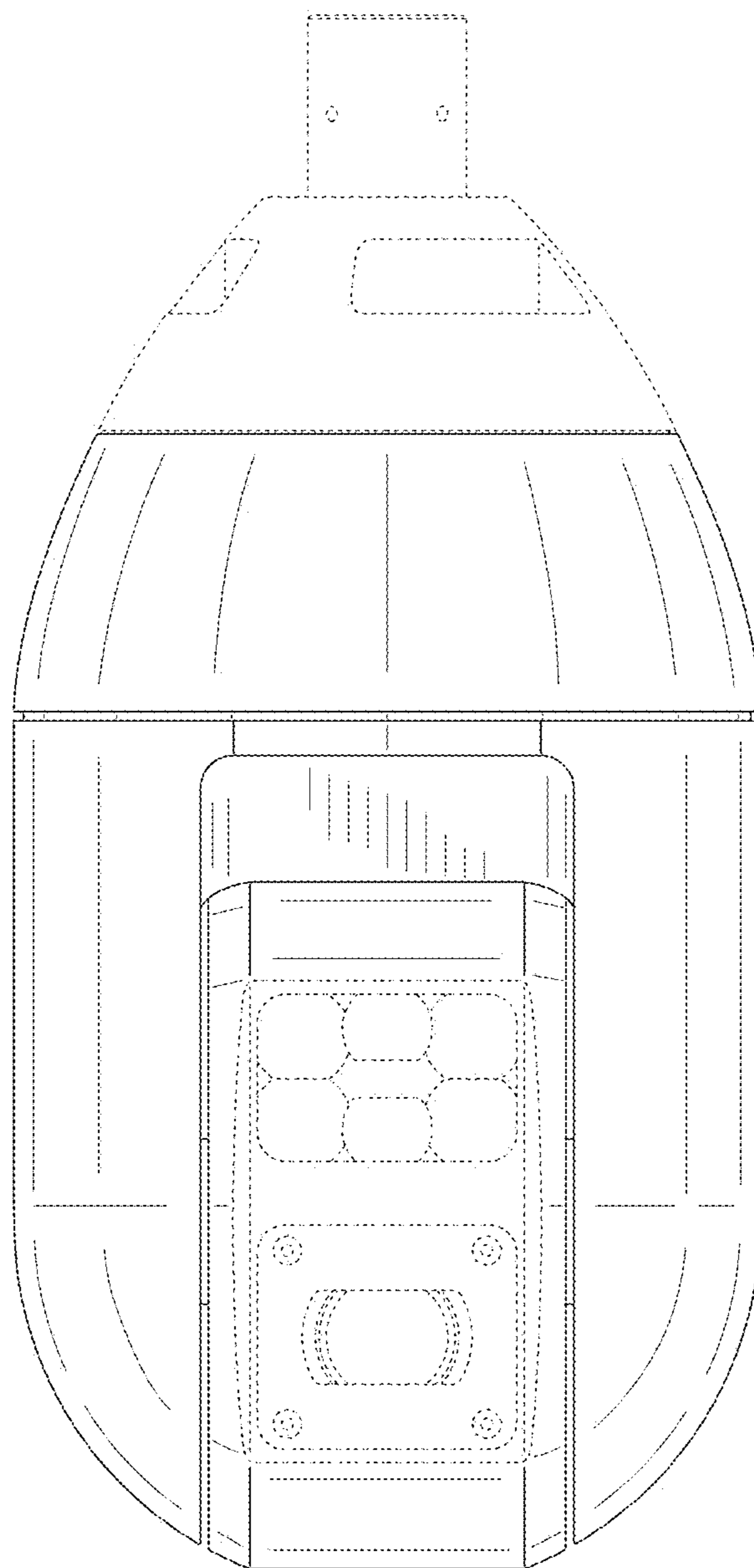


FIG. 4

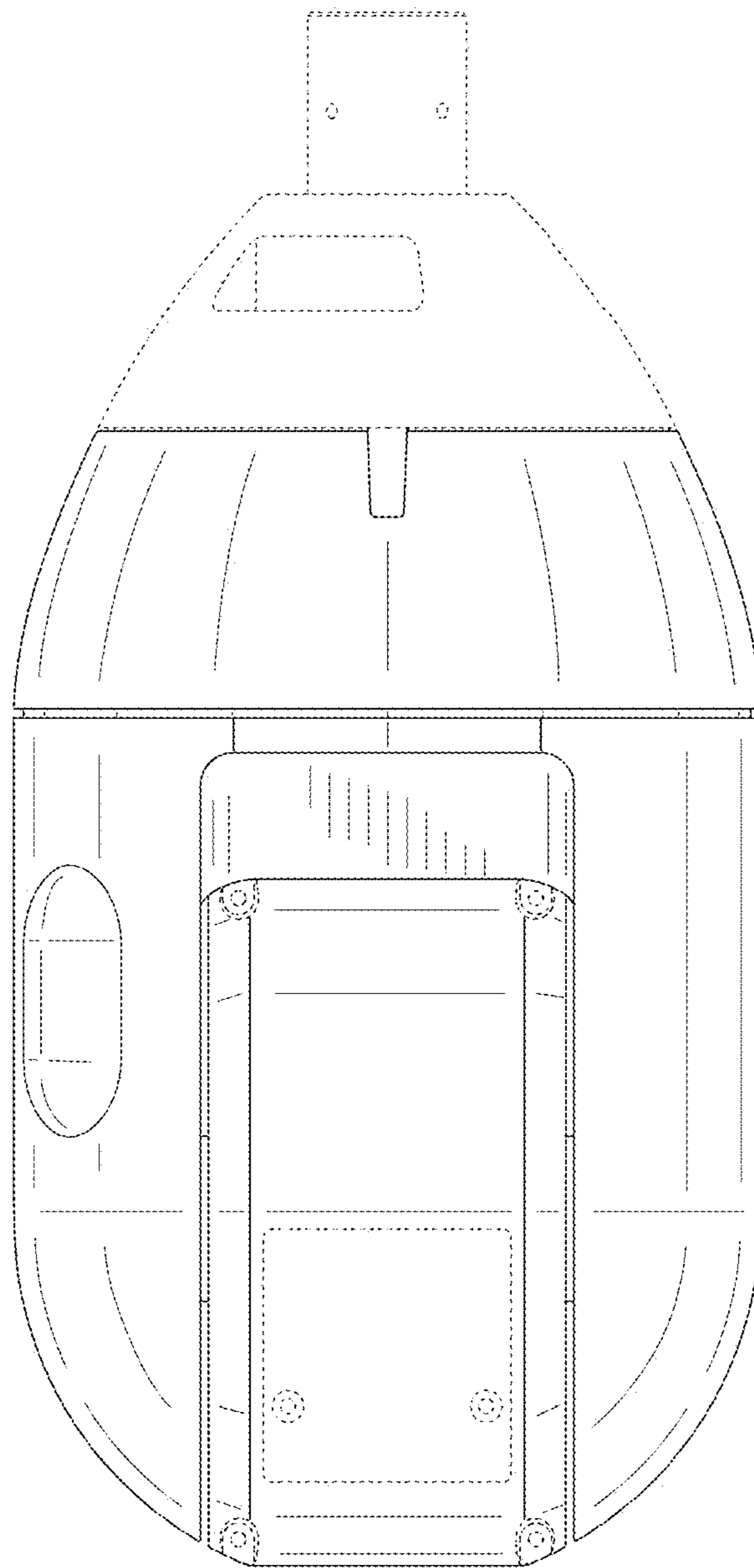


FIG. 5

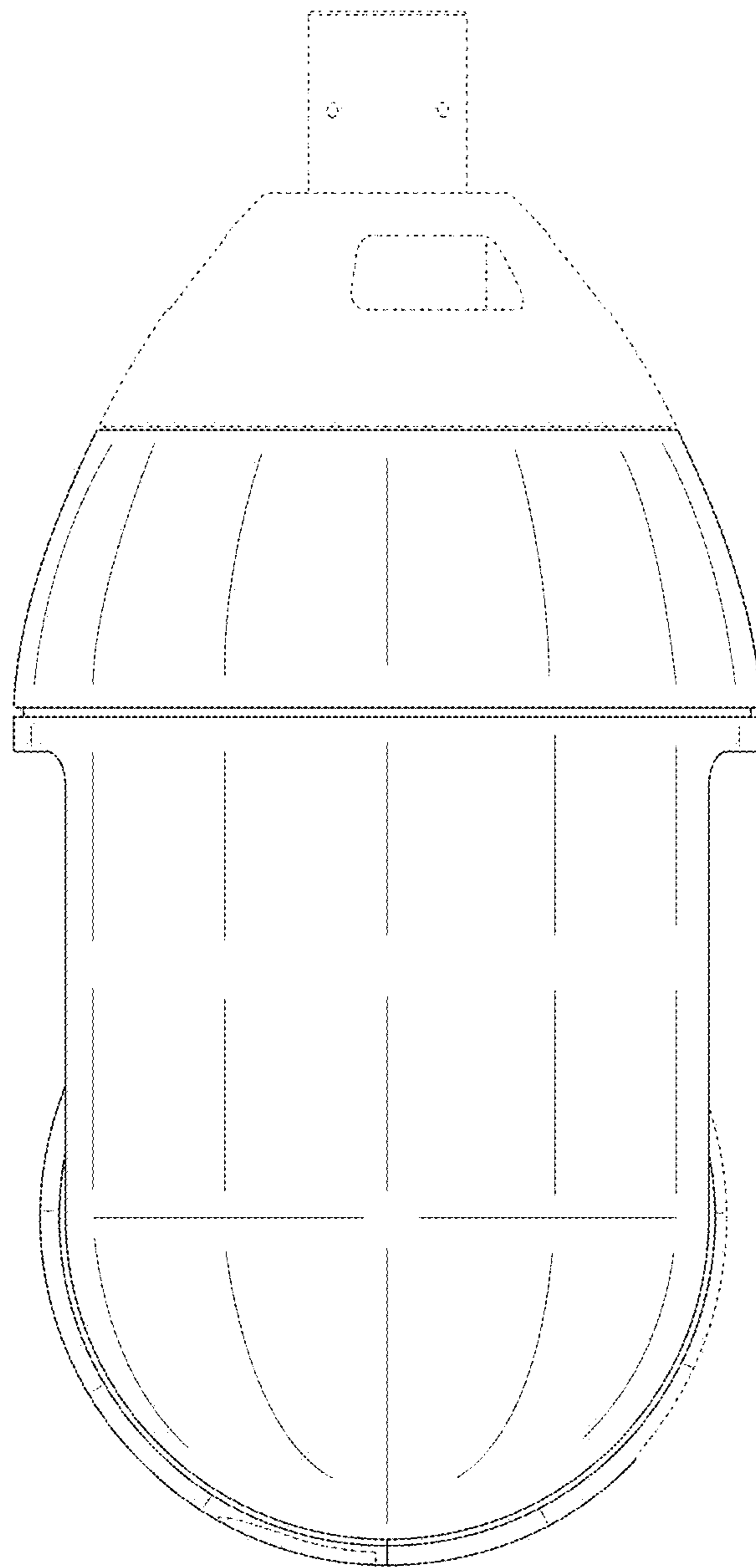


FIG. 6

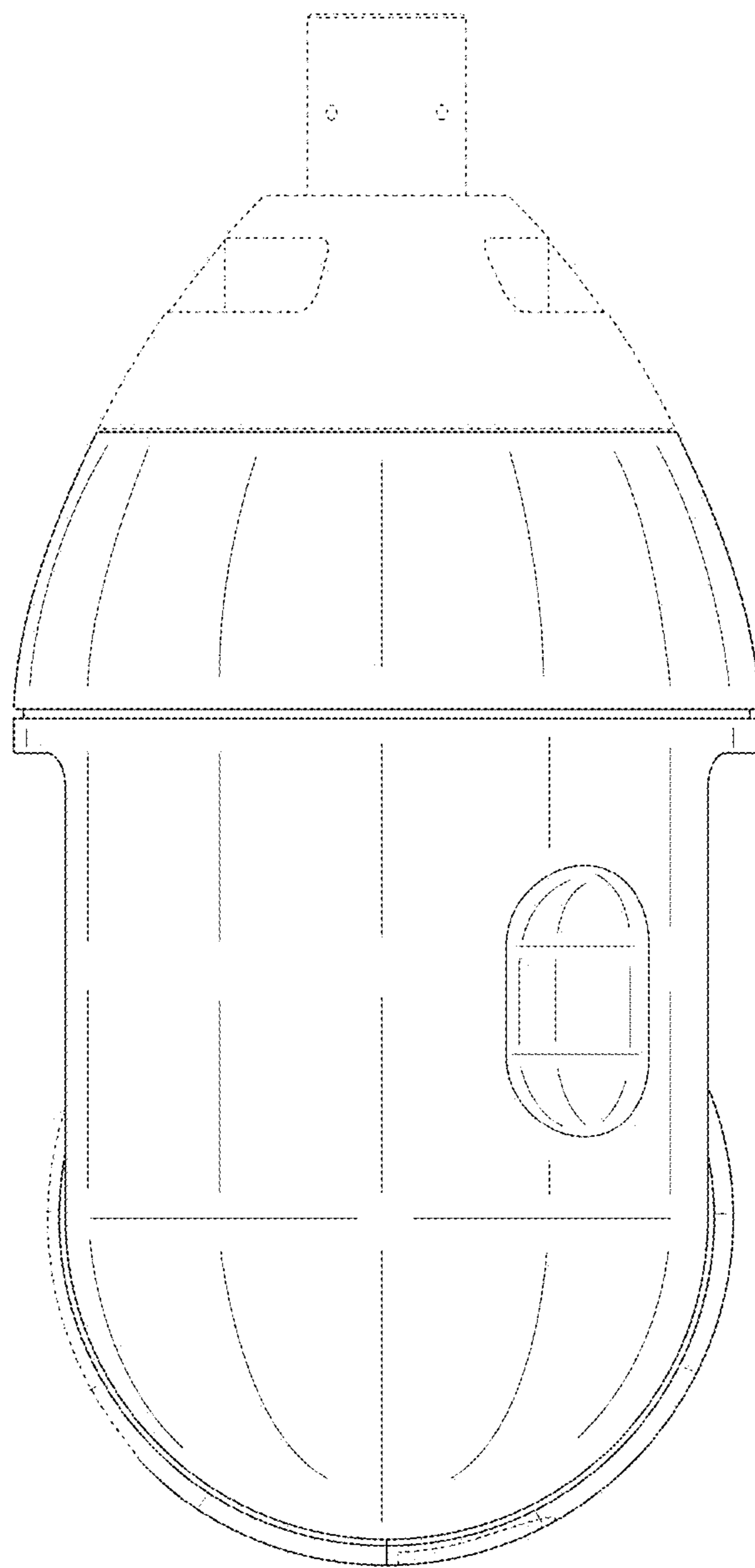


FIG. 7

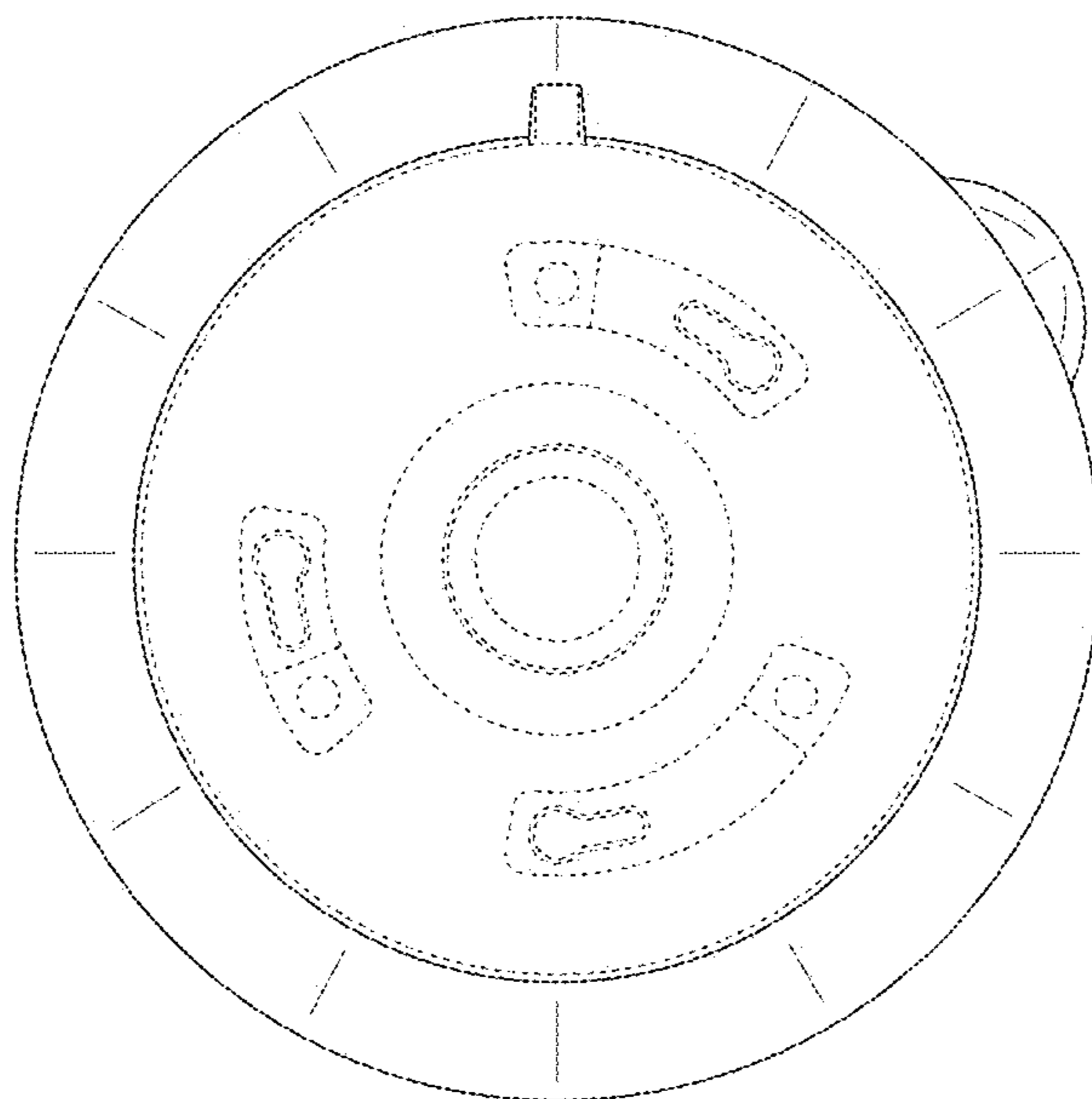




FIG. 8

