



US00D884768S

(12) **United States Design Patent** (10) **Patent No.:** **US D884,768 S**  
**Liu** (45) **Date of Patent:** **\*\* May 19, 2020**

(54) **CAMERA**

(71) Applicant: **BITMAIN TECHNOLOGIES INC.,**  
Beijing (CN)

(72) Inventor: **Yang Liu, Beijing (CN)**

(73) Assignee: **BITMAIN TECHNOLOGIES INC.,**  
Beijing (CN)

(\*\*) Term: **15 Years**

(21) Appl. No.: **29/668,575**

(22) Filed: **Oct. 31, 2018**

(51) **LOC (12) Cl.** ..... **16-01**

(52) **U.S. Cl.**  
USPC ..... **D16/203**

(58) **Field of Classification Search**  
USPC ..... D16/200, 202–206, 218, 219, 242;  
348/143, 148, 151, 373–376; 396/419,  
396/427, 535, 539–541  
CPC ..... G03B 17/02; G03B 19/04; G03B 17/56;  
G03B 17/04; G03B 15/03; H04N 5/2251;  
H04N 5/2252; H04N 5/2253; H04N  
5/2254; H04N 7/181; H04N 7/183; H04N  
7/18; G08B 13/1963; G08B 13/19619;  
G08B 13/19632; F16M 11/04; F16M  
13/00

See application file for complete search history.

(56) **References Cited**

**U.S. PATENT DOCUMENTS**

D550,738 S \* 9/2007 Hsia ..... D16/202  
D609,732 S \* 2/2010 Frank ..... D16/203  
D626,984 S \* 11/2010 Miyaji ..... D16/202  
8,695,258 B2 \* 4/2014 Kori ..... G09F 7/06  
40/663  
D704,240 S \* 5/2014 McBride ..... D16/203

D723,395 S \* 3/2015 Dispenza ..... D10/53  
D741,389 S \* 10/2015 Park ..... D16/203  
D751,619 S \* 3/2016 Jeong ..... D16/203  
D783,076 S \* 4/2017 Ravat ..... D16/203  
D813,290 S \* 3/2018 Song ..... D16/203  
D813,926 S \* 3/2018 Shin ..... D16/203  
D849,094 S \* 5/2019 Gan ..... D16/203

**OTHER PUBLICATIONS**

Magazine article—“IP camera uses 1/4in CCD sensor” Global Sources Computer Products, vol. 2, No. 25, (Nov. 2007), Trade Media Holdings Ltd., p. 182.

Magazine article—“Little Brother” Ottagono magazine, vol. 185, (Nov. 2005), p. 24.

The Japanese Notice of Allowance of corresponding Japanese Design application No. D2018-023879, dated Dec. 25, 2018.

\* cited by examiner

*Primary Examiner* — Ramzi S Almatrahi

(74) *Attorney, Agent, or Firm* — J.C. Patents

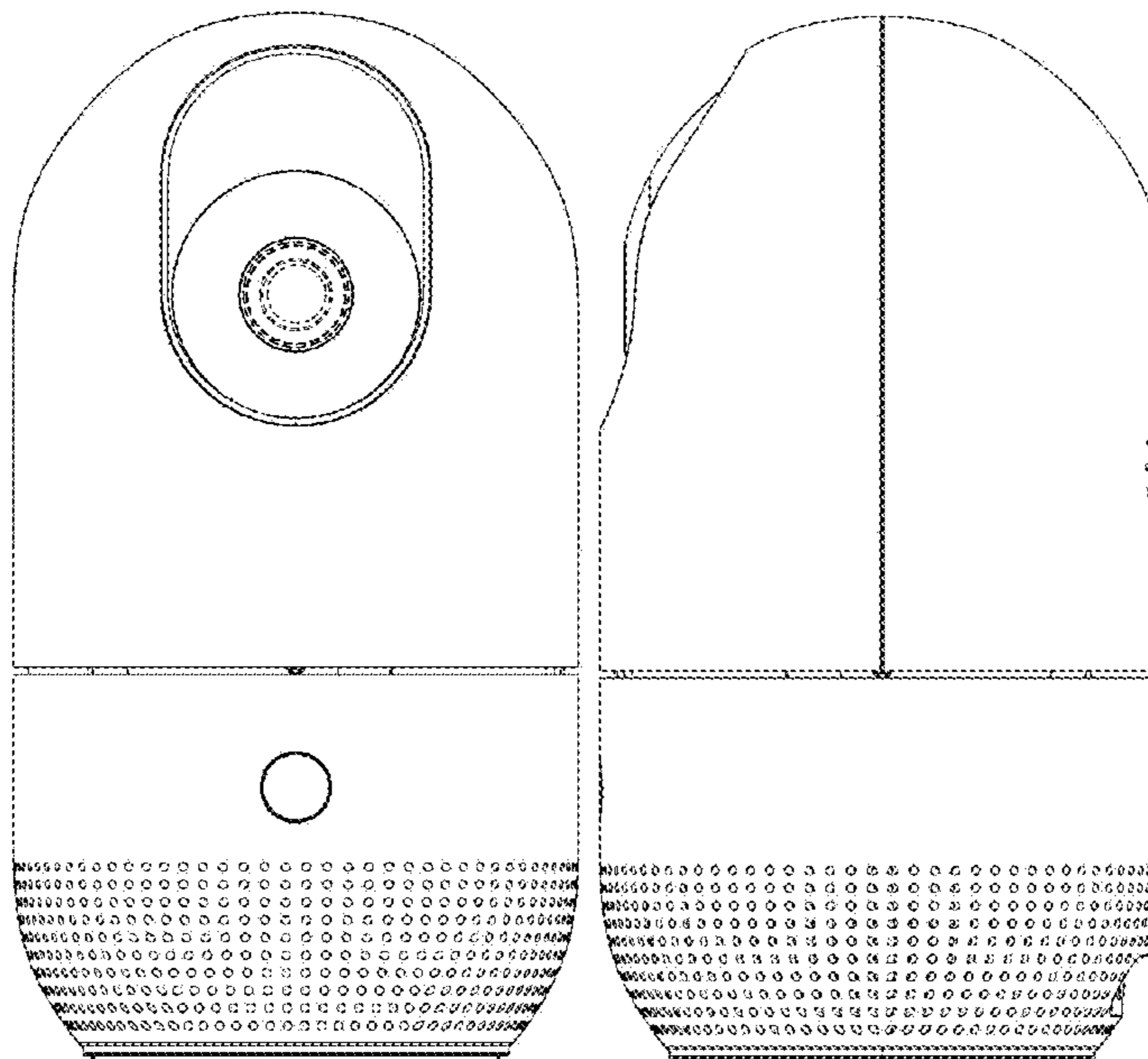
(57) **CLAIM**

The ornamental design for a camera, as shown and described.

**DESCRIPTION**

FIG. 1 is a front view of a camera;  
FIG. 2 is a rear view of the camera;  
FIG. 3 is a left view of the camera;  
FIG. 4 is a right view of the camera;  
FIG. 5 is a top view of the camera; and,  
FIG. 6 is a bottom view of the camera.  
The broken lines in the drawings illustrate portions of the camera that form no part of the claimed design.

**1 Claim, 5 Drawing Sheets**



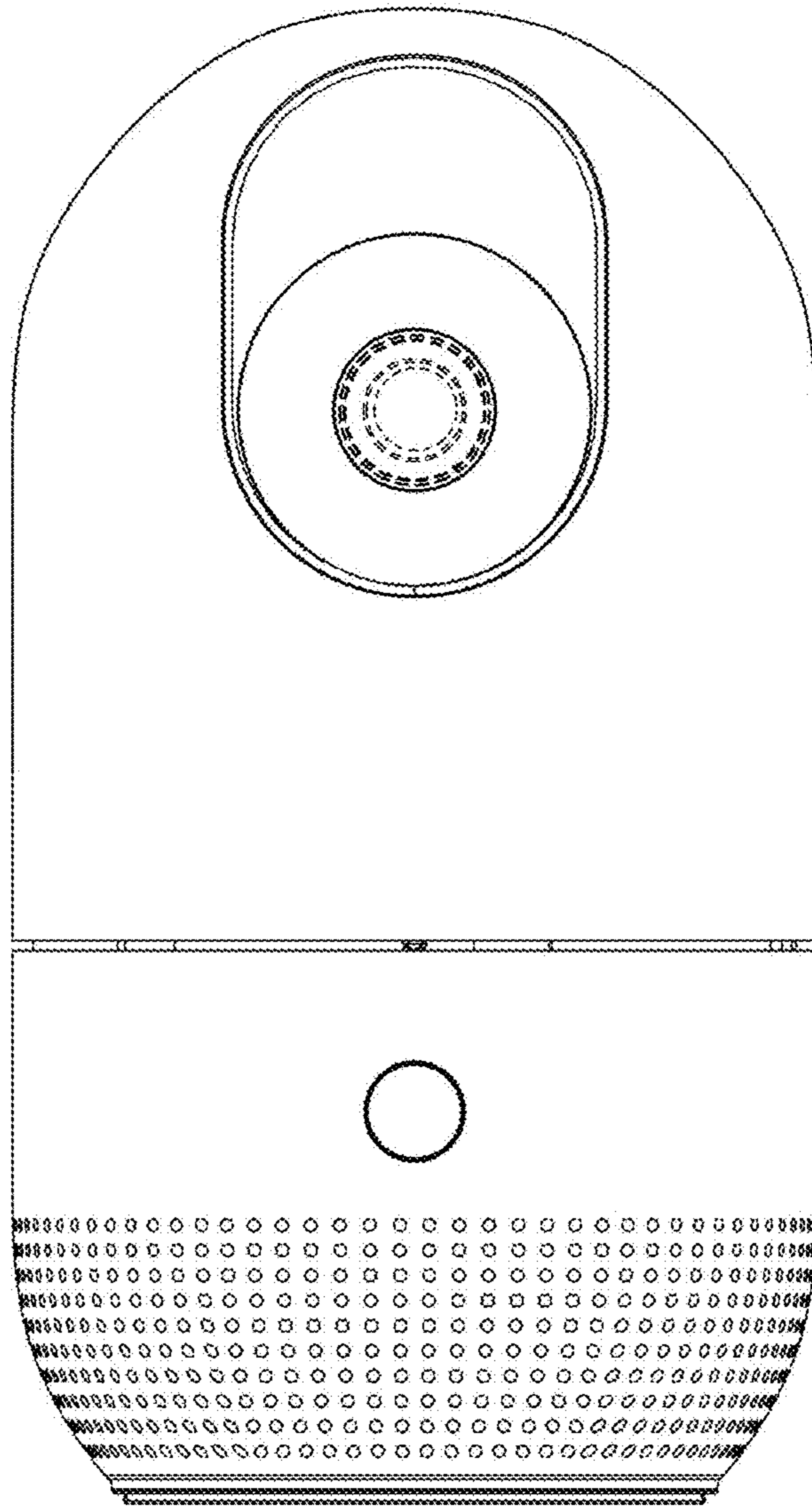


FIG. 1

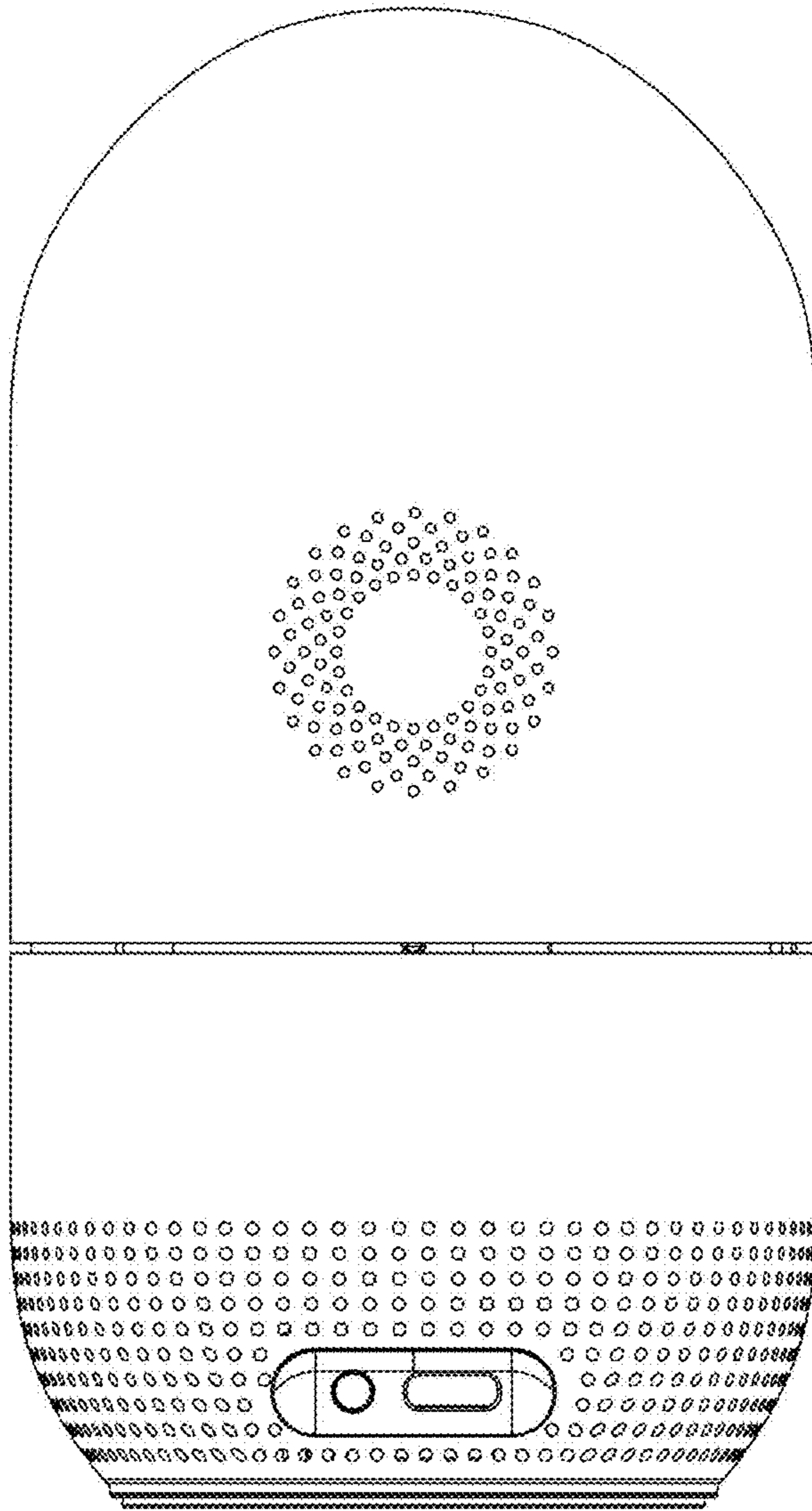


FIG. 2

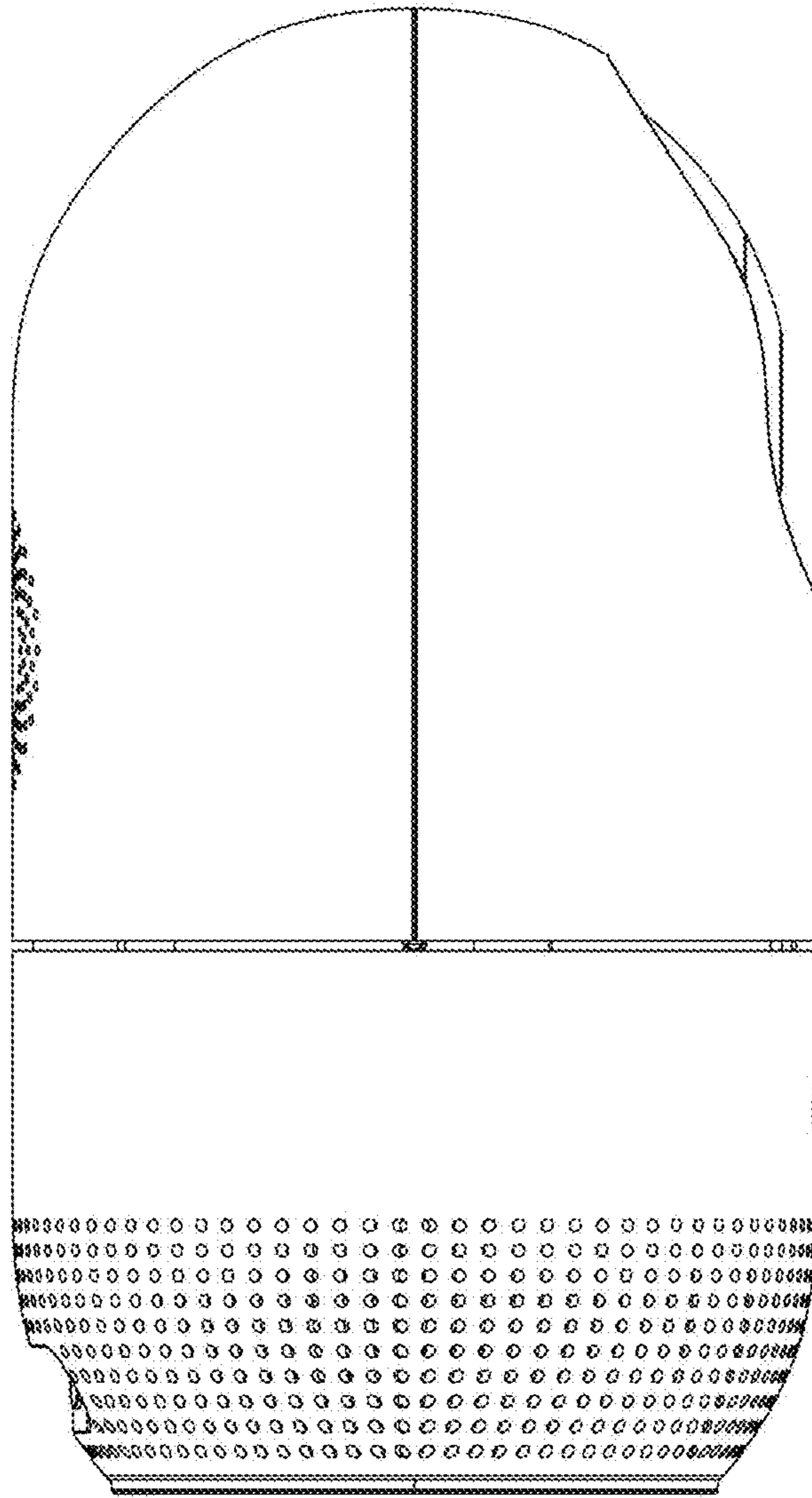


FIG. 3

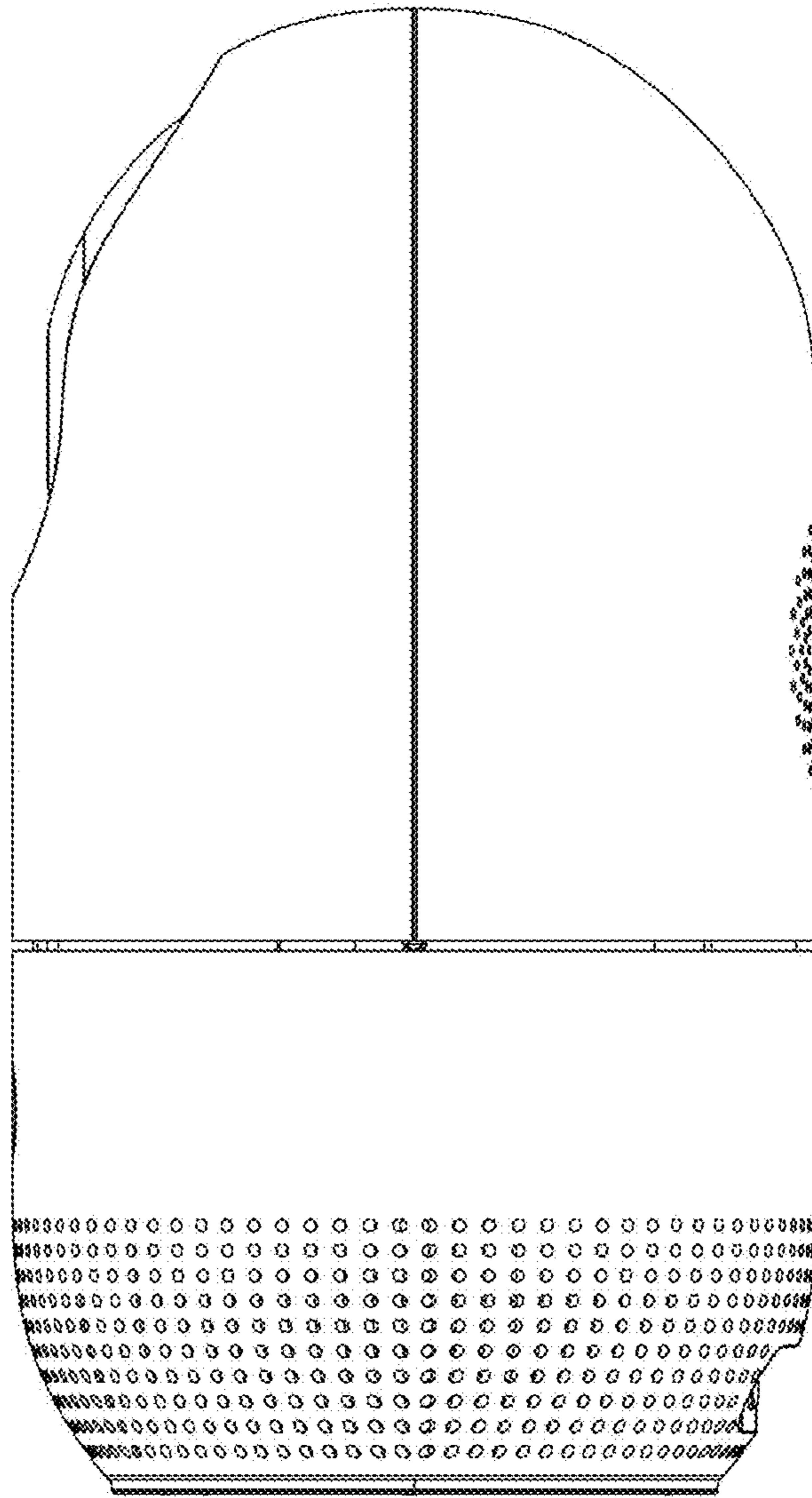


FIG. 4

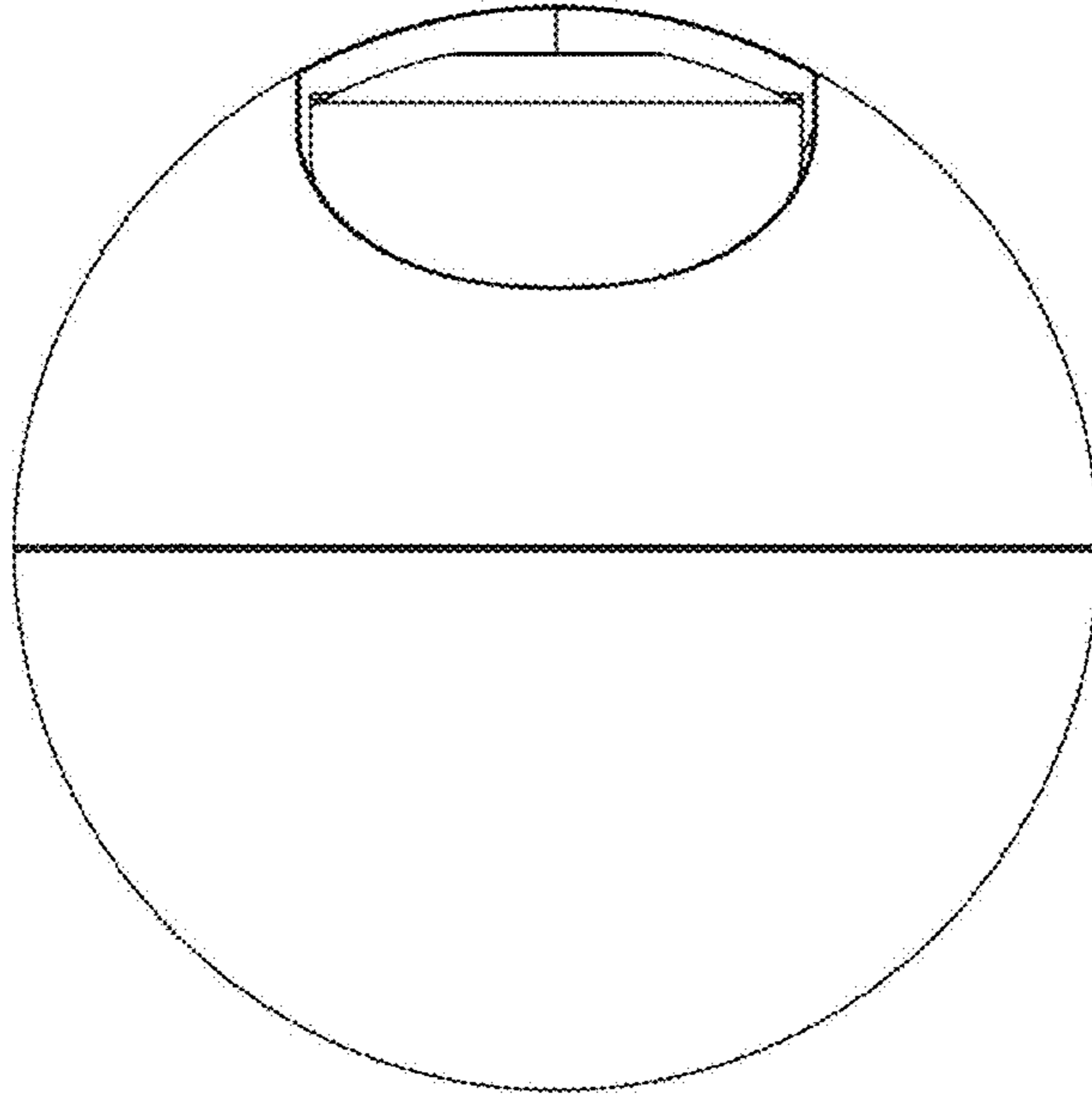


FIG. 5

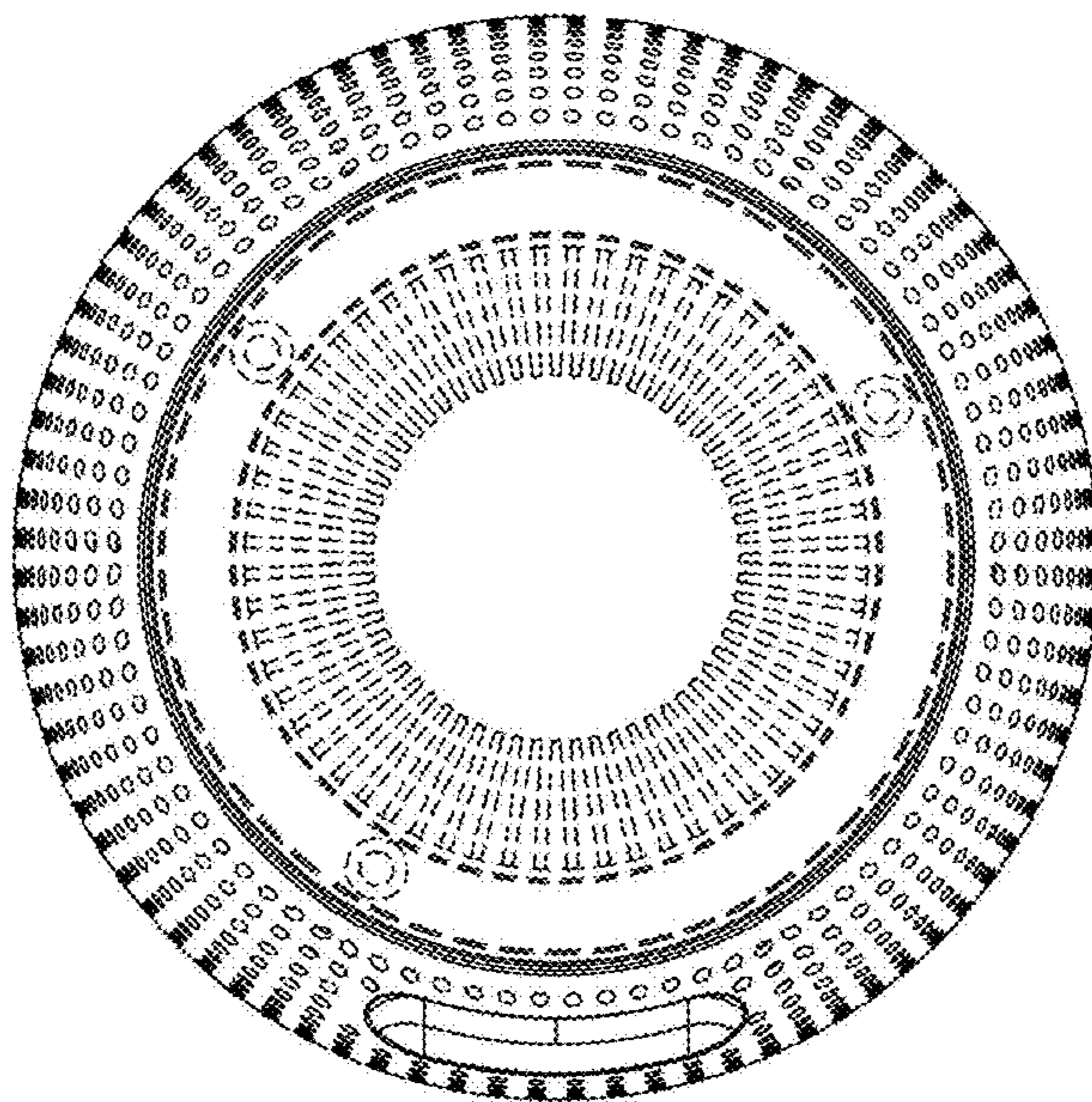


FIG. 6