



US00D884767S

(12) **United States Design Patent** (10) **Patent No.:** **US D884,767 S**
Calik et al. (45) **Date of Patent:** **** May 19, 2020**

(54) **COMBINED CAMERA AND LIGHT DEVICE**

(71) Applicant: **Cycliq Research & Development (HK) Limited**, Shatin, N.T. (HK)

(72) Inventors: **Lukasz Calik**, West Leederville (AU); **Thompson Cheung**, Shatin (HK); **Tao Xiaoying**, Guang Dong (CN)

(73) Assignee: **Cycliq Research & Development (HK) Limited**, Shatin (HK)

(**) Term: **15 Years**

(21) Appl. No.: **29/642,418**

(22) Filed: **Mar. 29, 2018**

(30) **Foreign Application Priority Data**

Sep. 29, 2017 (EP) 004377398

(51) **LOC (12) Cl.** **16-01**

(52) **U.S. Cl.**
USPC **D16/202**

(58) **Field of Classification Search**

USPC D16/200, 202, 208, 209, 210, 218, 219
CPC G03B 15/03; G03B 15/05; G03B 17/00;
G03B 17/02; G03B 17/08; G03B 17/16;
G03B 19/00; G03B 19/02; G03B 19/20;
G03B 19/22; H04N 5/2251; H04N
5/2252; H04N 5/2253; H04N 5/907

See application file for complete search history.

(56) **References Cited**

U.S. PATENT DOCUMENTS

D412,003 S * 7/1999 Sumida D16/202
D418,151 S * 12/1999 Sumita D16/202

D448,785 S * 10/2001 Chou D16/202
D563,444 S * 3/2008 Brickzin D16/202
D715,347 S * 10/2014 Troxel D16/202
D715,846 S * 10/2014 Troxel D16/202
D758,467 S * 6/2016 Zhang D16/202
D794,105 S * 8/2017 Liu D16/202
D813,288 S * 3/2018 LeBeau D16/200
D816,752 S * 5/2018 Kim D16/202
D836,696 S * 12/2018 Zhang D16/202
2005/0012853 A1 * 1/2005 Wang H04N 1/00204
348/376
2009/0252486 A1 * 10/2009 Ross, Jr. G03B 17/02
396/419
2010/0253826 A1 * 10/2010 Green G01S 17/875
348/335

* cited by examiner

Primary Examiner — Sandra S Snapp

Assistant Examiner — Ieisha N Price

(74) *Attorney, Agent, or Firm* — Levine Bagade Han LLP

(57) **CLAIM**

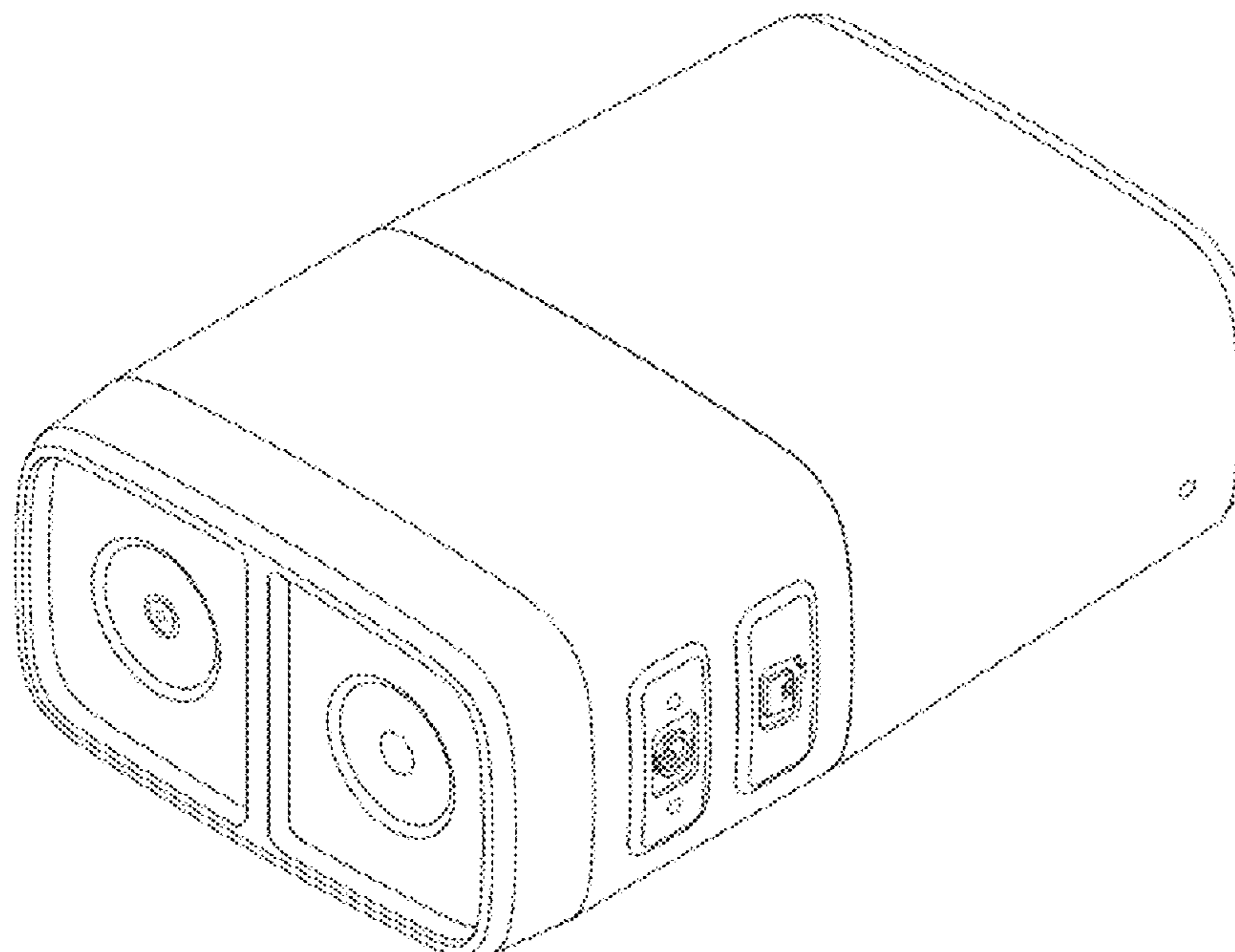
The ornamental design for a combined camera and light device, as shown and described.

DESCRIPTION

FIG. 1 is a front perspective view of a combined camera and light device;
FIG. 2 is a front view thereof;
FIG. 3 is a rear view thereof;
FIG. 4 is a top view thereof;
FIG. 5 is a bottom view thereof;
FIG. 6 is a left side view thereof; and,
FIG. 7 is a right side view thereof.

The broken lines in the drawing illustrate portions of the combined camera and light device and form no part of the claimed design.

1 Claim, 3 Drawing Sheets



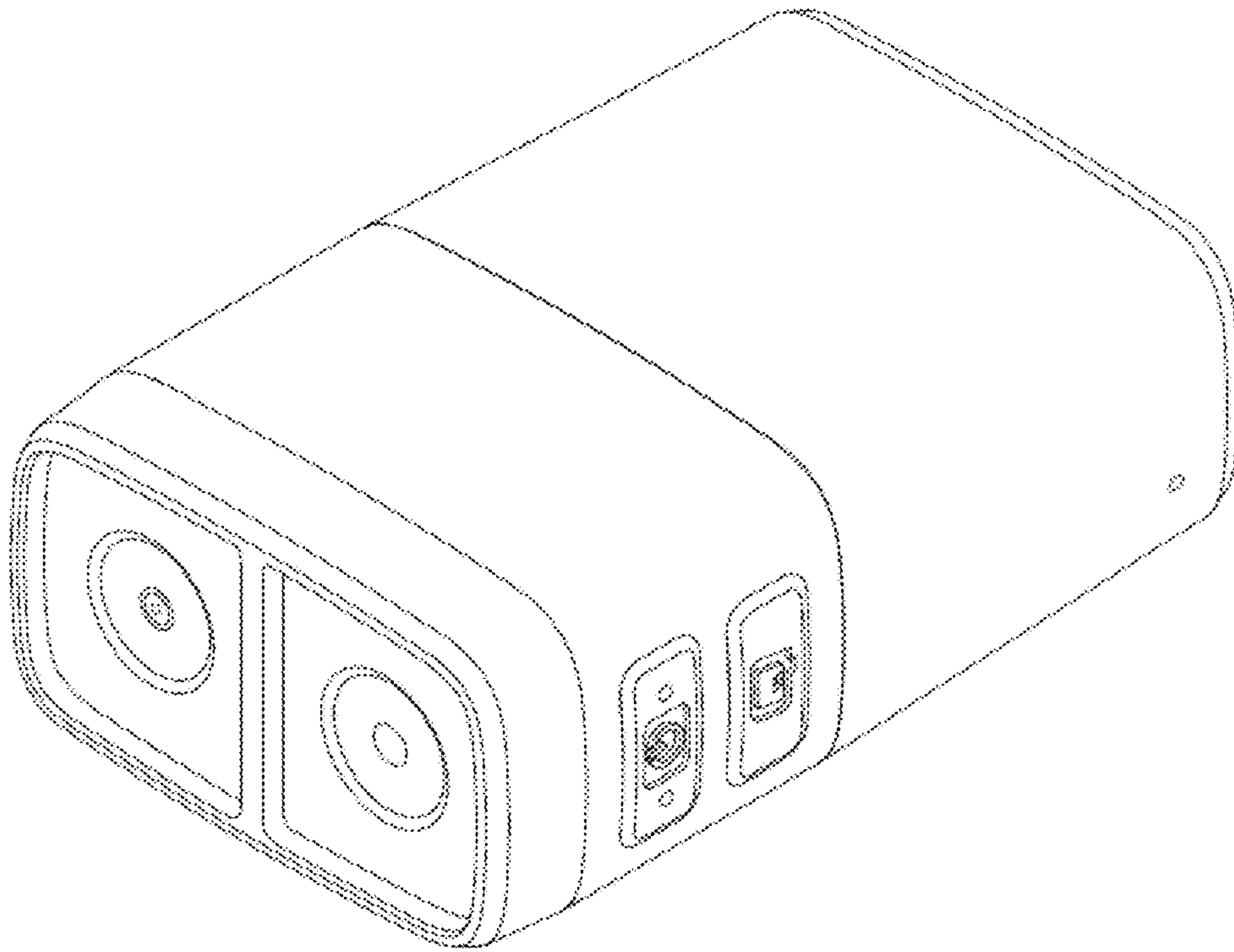


FIG. 1

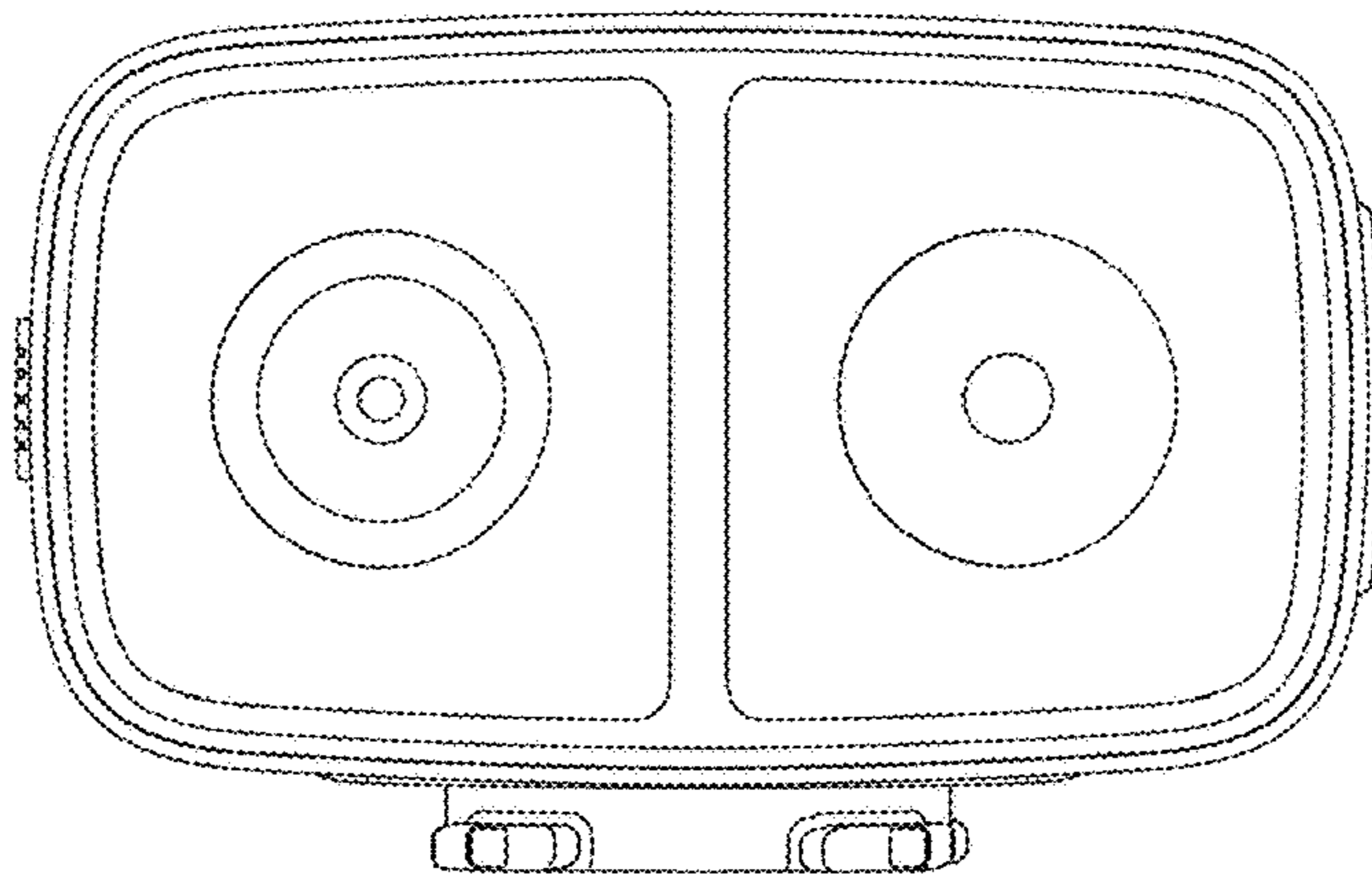


FIG. 2

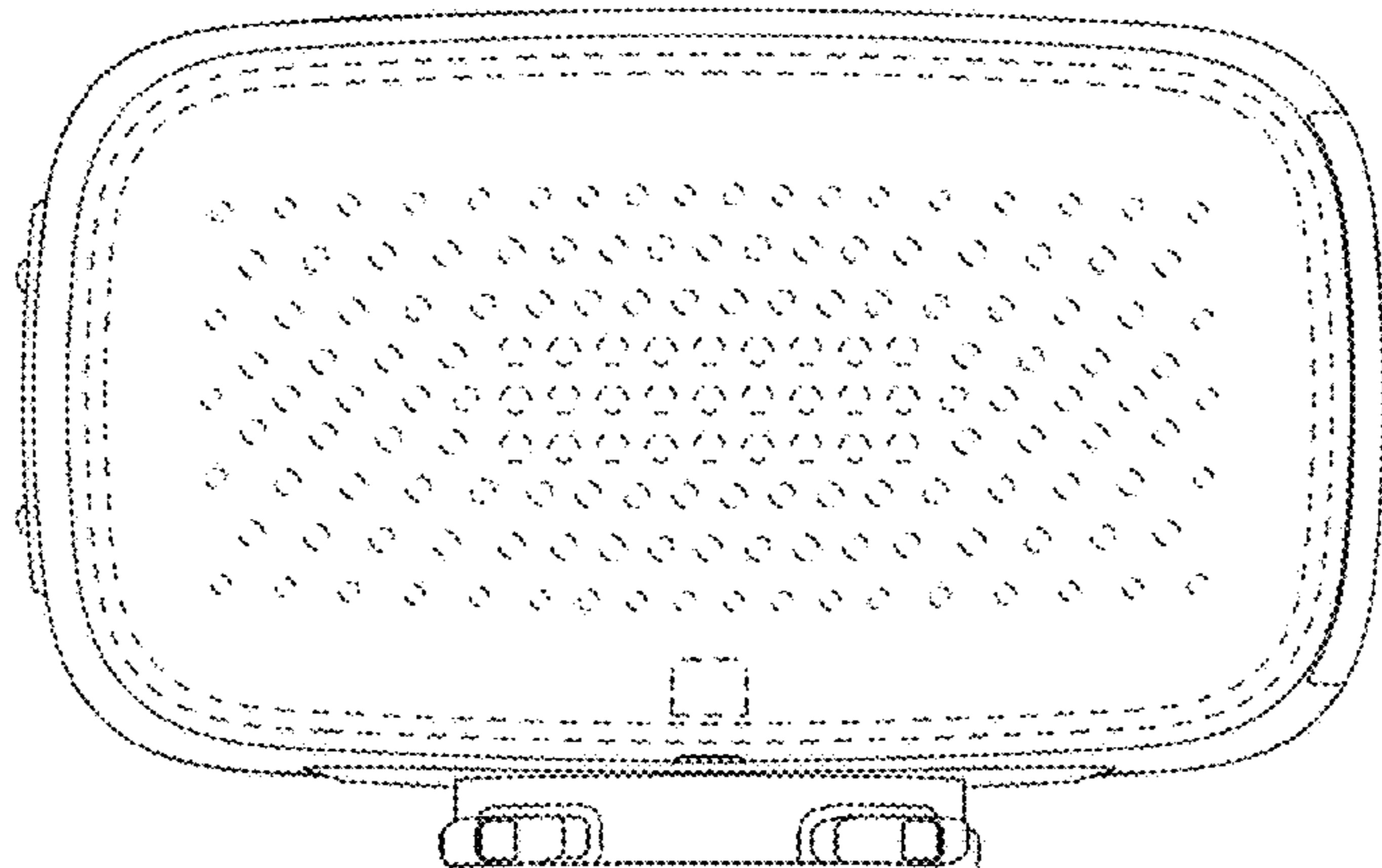


FIG. 3

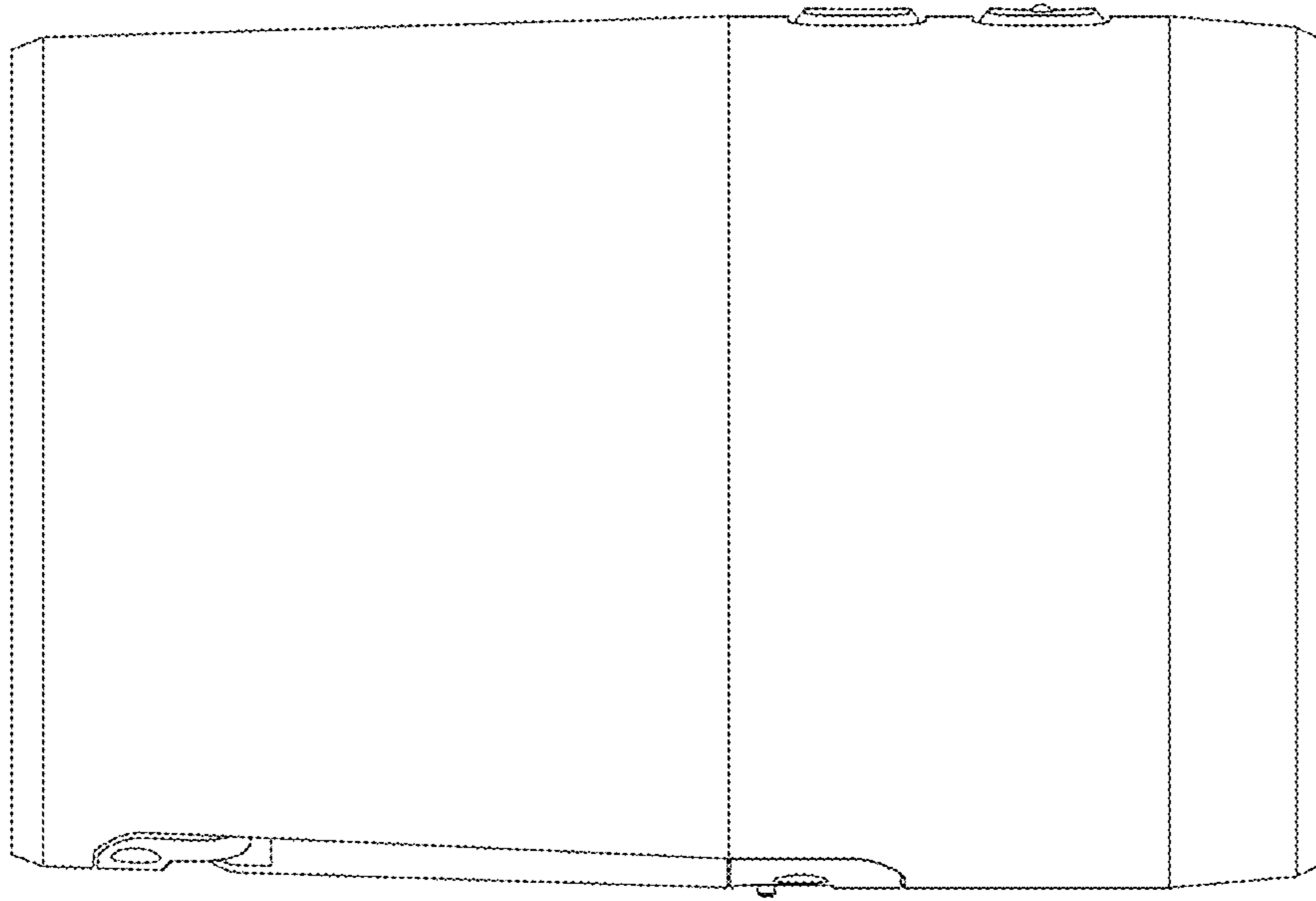


FIG. 4

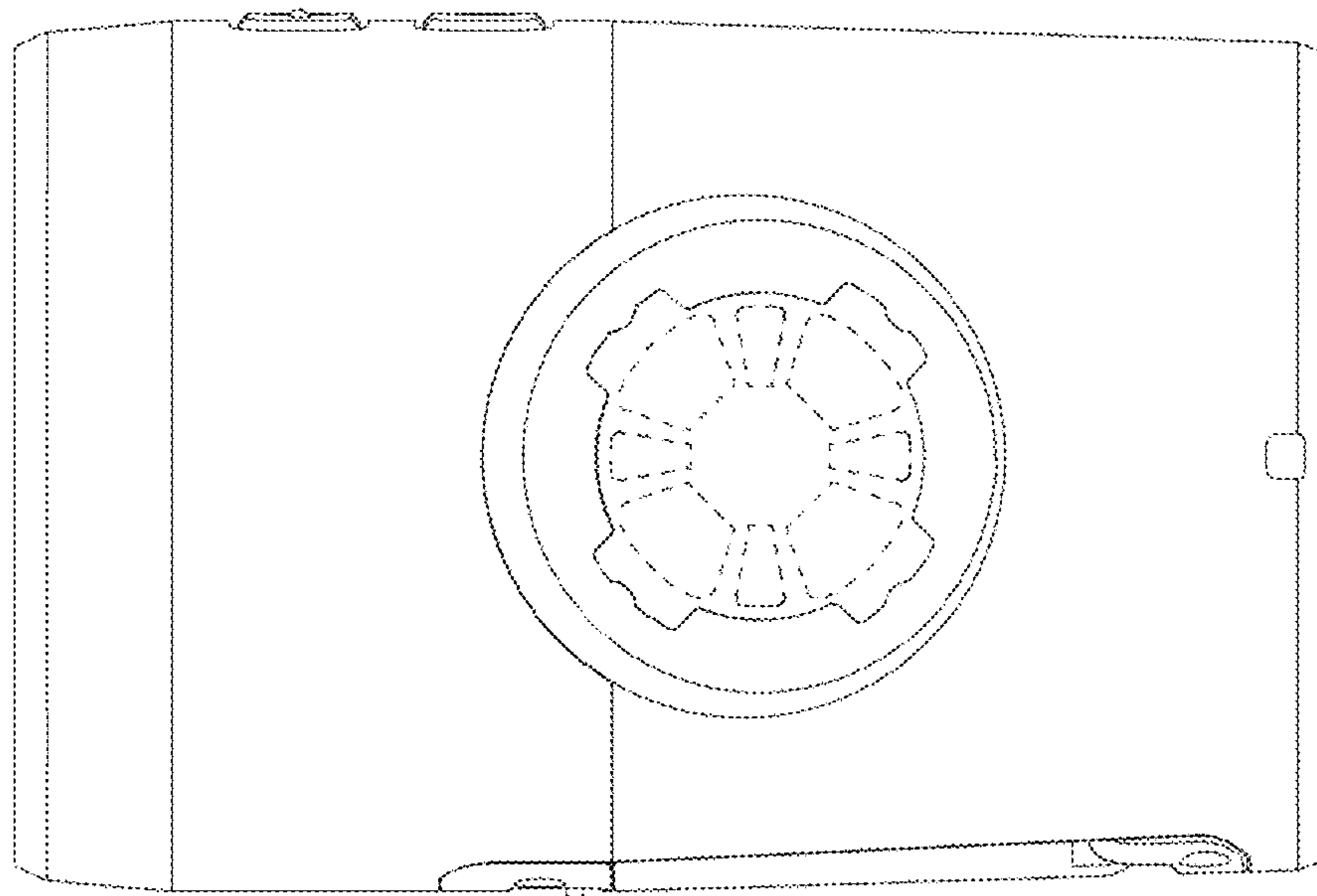


FIG. 5

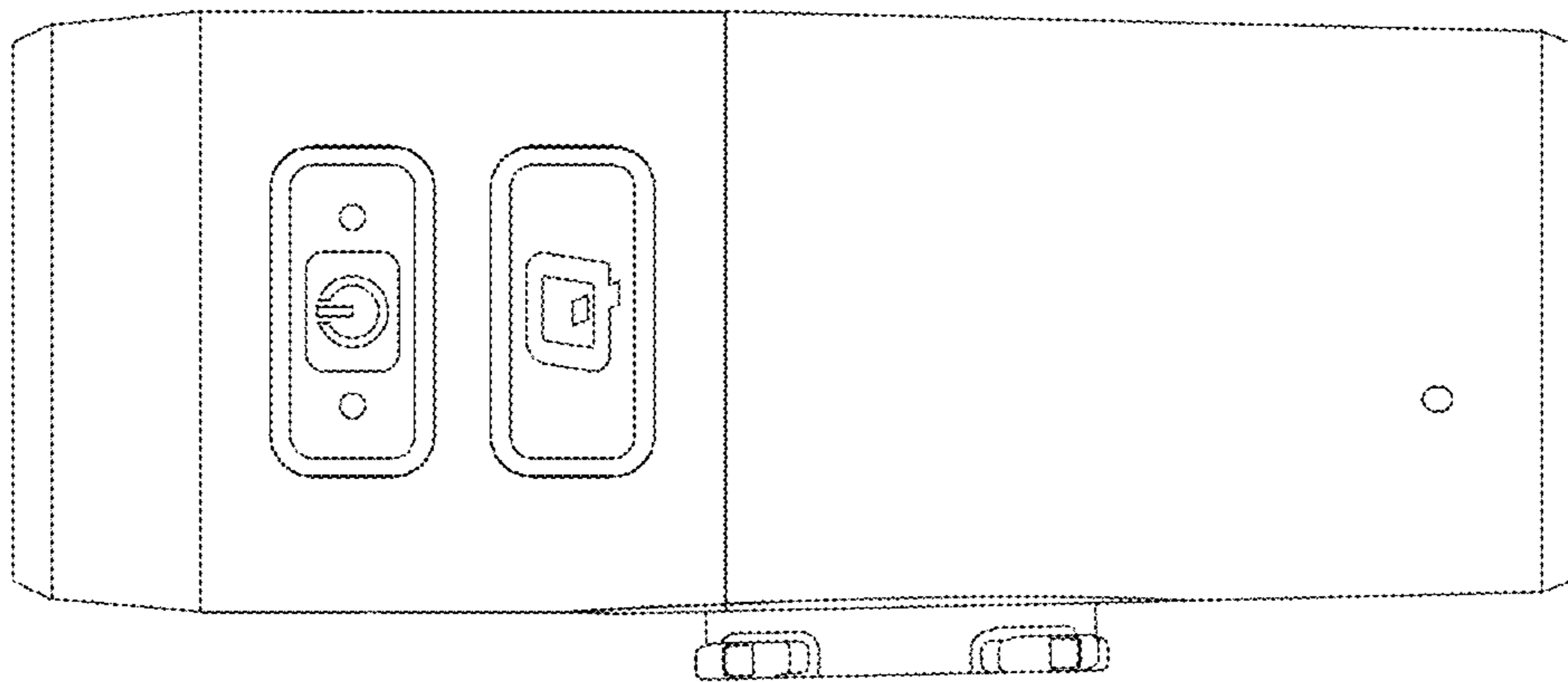


FIG. 6

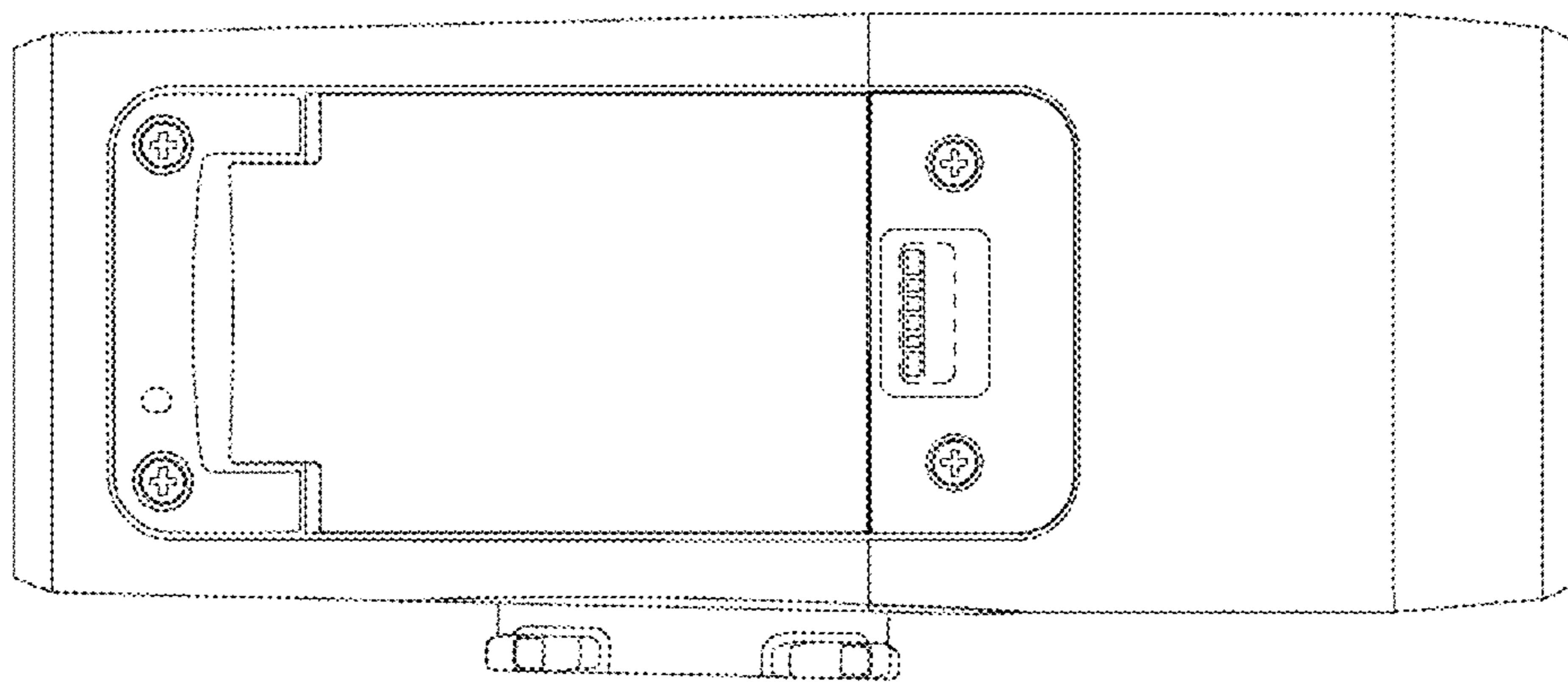


FIG. 7