



US00D884765S

(12) **United States Design Patent** (10) **Patent No.:** **US D884,765 S**  
**Mori** (45) **Date of Patent:** **\*\* May 19, 2020**

- (54) **AUTOMATIC GUIDED VEHICLE**
- (71) Applicant: **KABUSHIKI KAISHA TOYOTA**  
**JIDOSHOKKI**, Kariya-shi, Aichi-ken  
(JP)
- (72) Inventor: **Hiroki Mori**, Kariya (JP)
- (73) Assignee: **KABUSHIKI KAISHA TOYOTA**  
**JIDOSHOKKI**, Kariya-shi, Aichi-ken  
(JP)
- (\*\*) Term: **15 Years**
- (21) Appl. No.: **29/682,392**
- (22) Filed: **Mar. 5, 2019**
- (30) **Foreign Application Priority Data**  
Sep. 10, 2018 (JP) ..... 2018-019649
- (51) **LOC (12) Cl.** ..... **15-09**
- (52) **U.S. Cl.**  
USPC ..... **D15/199; D34/34**
- (58) **Field of Classification Search**  
USPC ..... 6/338, 356; 15/199; 21/578-583, 621,  
21/622; 34/28, 34  
CPC ..... G05D 1/0022; G05D 2201/0209; G08C  
17/00; G08C 2201/40  
See application file for complete search history.

- (56) **References Cited**  
U.S. PATENT DOCUMENTS  
D295,105 S \* 4/1988 Dawson ..... D34/18  
5,324,948 A \* 6/1994 Dudar ..... G01S 15/931  
250/253  
D549,756 S \* 8/2007 Park ..... D15/199  
D579,035 S \* 10/2008 Kim ..... B25J 11/008  
D15/199  
D736,117 S \* 8/2015 Stone ..... D12/1  
D799,575 S \* 10/2017 Tang ..... D15/199

- D802,040 S \* 11/2017 Canoso ..... D15/199
- D809,040 S \* 1/2018 Webb, II ..... D15/199
- D809,044 S \* 1/2018 Loew ..... D16/202
- D810,167 S \* 2/2018 Yang ..... D15/199
- D810,799 S \* 2/2018 Sokuza ..... D15/199
- D811,458 S \* 2/2018 Wang ..... D15/199
- D813,284 S \* 3/2018 Wei ..... D15/199
- D817,375 S \* 5/2018 Deyle ..... D15/199
- D819,712 S \* 6/2018 Gee ..... D15/199
- D820,334 S \* 6/2018 Lee ..... D15/199
- D826,302 S \* 8/2018 Tsukamoto ..... D15/199
- D829,793 S \* 10/2018 Wang ..... D15/199
- D835,693 S \* 12/2018 Lee ..... D15/199
- D840,452 S \* 2/2019 Yoo ..... D15/199
- D840,453 S \* 2/2019 Yoo ..... D15/199
- D841,067 S \* 2/2019 Camporesi ..... D15/199

(Continued)

*Primary Examiner* — Patricia A Palasik  
(74) *Attorney, Agent, or Firm* — Sughrue Mion, PLLC

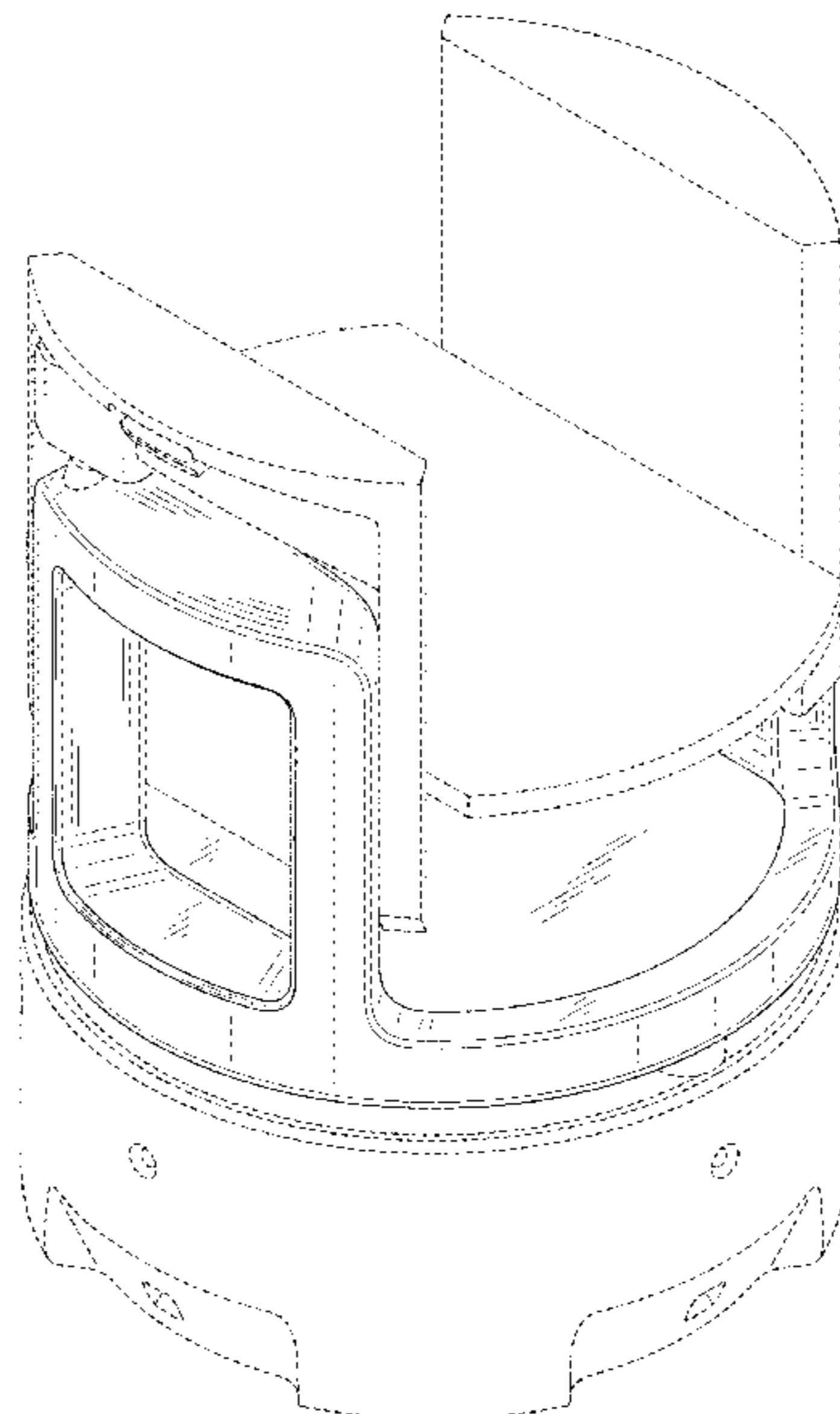
(57) **CLAIM**

The ornamental design for an automatic guided vehicle, as shown and described.

**DESCRIPTION**

FIG. 1 is a front, top and right side perspective view of an automatic guided vehicle showing my new design;  
 FIG. 2 is a rear, bottom and left side perspective view thereof;  
 FIG. 3 is a front view thereof, the rear view being a mirror image thereof;  
 FIG. 4 is an enlarged top plan view thereof;  
 FIG. 5 is a right side view thereof;  
 FIG. 6 is a left side view thereof;  
 FIG. 7 is a top perspective view thereof having a lifting table in a raised position; and,  
 FIG. 8 is a bottom perspective view thereof having a lifting table in a raised position.  
 The broken lines illustrate portions of the automatic guided vehicle that form no part of the claimed design.

**1 Claim, 8 Drawing Sheets**



(56)

**References Cited**

U.S. PATENT DOCUMENTS

D843,428	S *	3/2019	Gee .....	D15/199
D852,250	S *	6/2019	Nabeiro .....	D15/199
D855,673	S *	8/2019	Sutherland .....	D15/199
D857,074	S *	8/2019	Kim .....	D15/199
D869,533	S *	12/2019	Kim .....	D15/199
D870,787	S *	12/2019	Kim .....	D15/199
D870,788	S *	12/2019	Kim .....	D15/199
D871,474	S *	12/2019	Kolb .....	D15/199
D871,477	S *	12/2019	Kolb .....	D15/199
D871,478	S *	12/2019	Wang .....	D15/199
D872,152	S *	1/2020	Xiong .....	D15/199
D872,788	S *	1/2020	Sutherland .....	D15/199
2011/0135189	A1 *	6/2011	Lee .....	B25J 9/1682 382/153
2014/0350725	A1 *	11/2014	LaFary .....	G05B 19/4061 700/253
2015/0088359	A1 *	3/2015	Choi .....	G05D 1/0225 701/23
2018/0178375	A1 *	6/2018	Yang .....	B25J 9/0003

\* cited by examiner

FIG.1

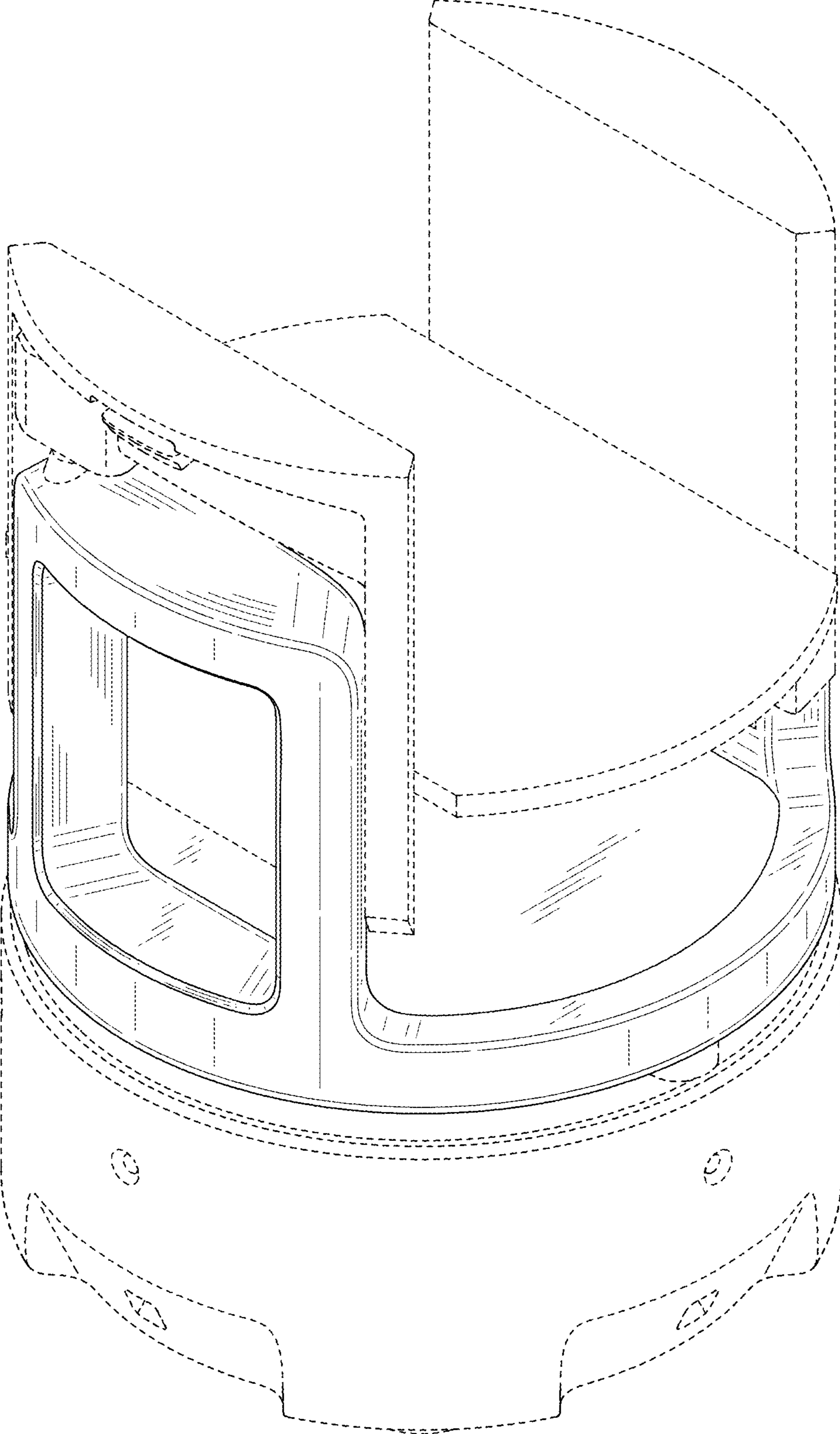


FIG.2

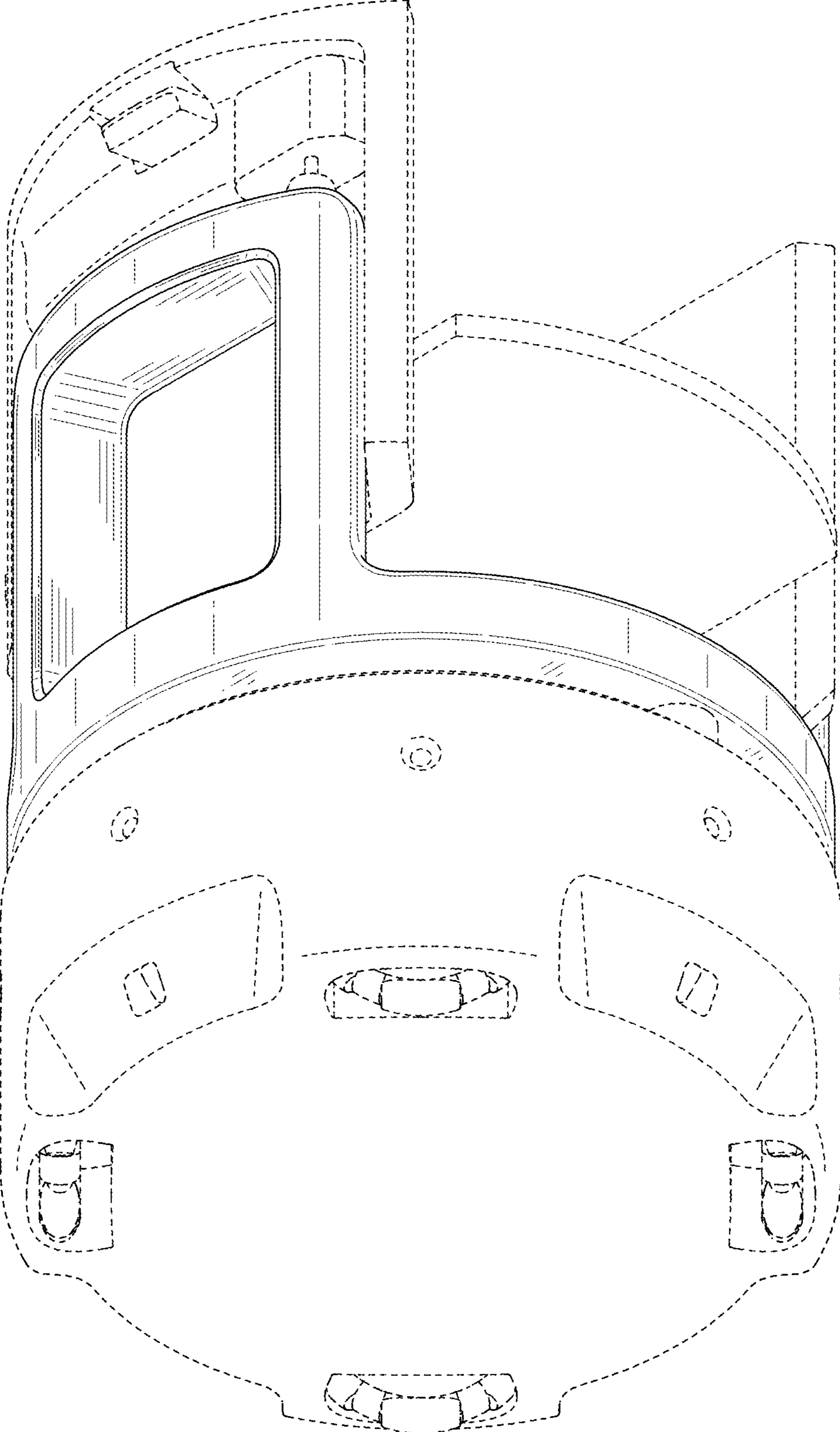


FIG.3

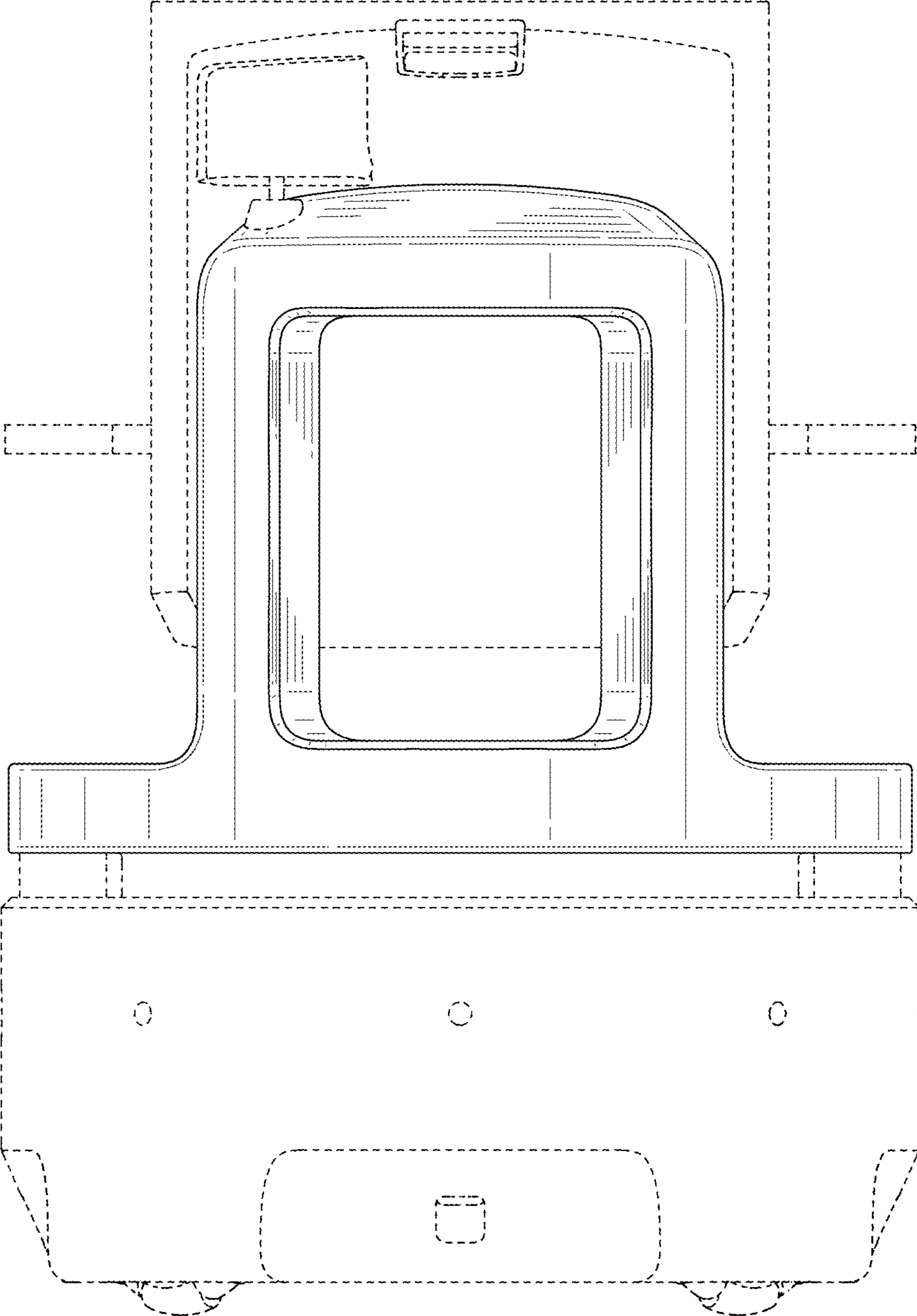


FIG.4

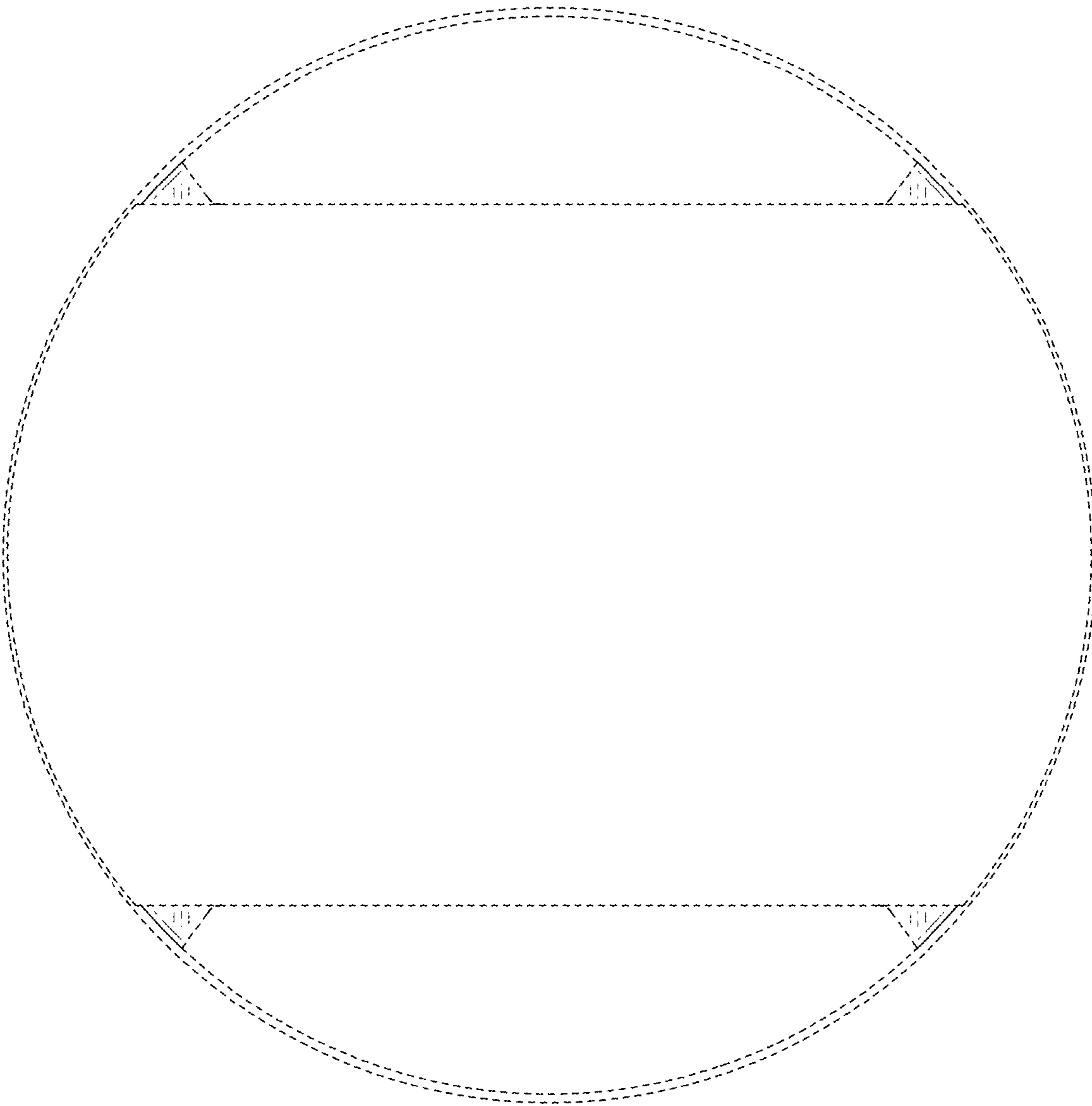


FIG.5

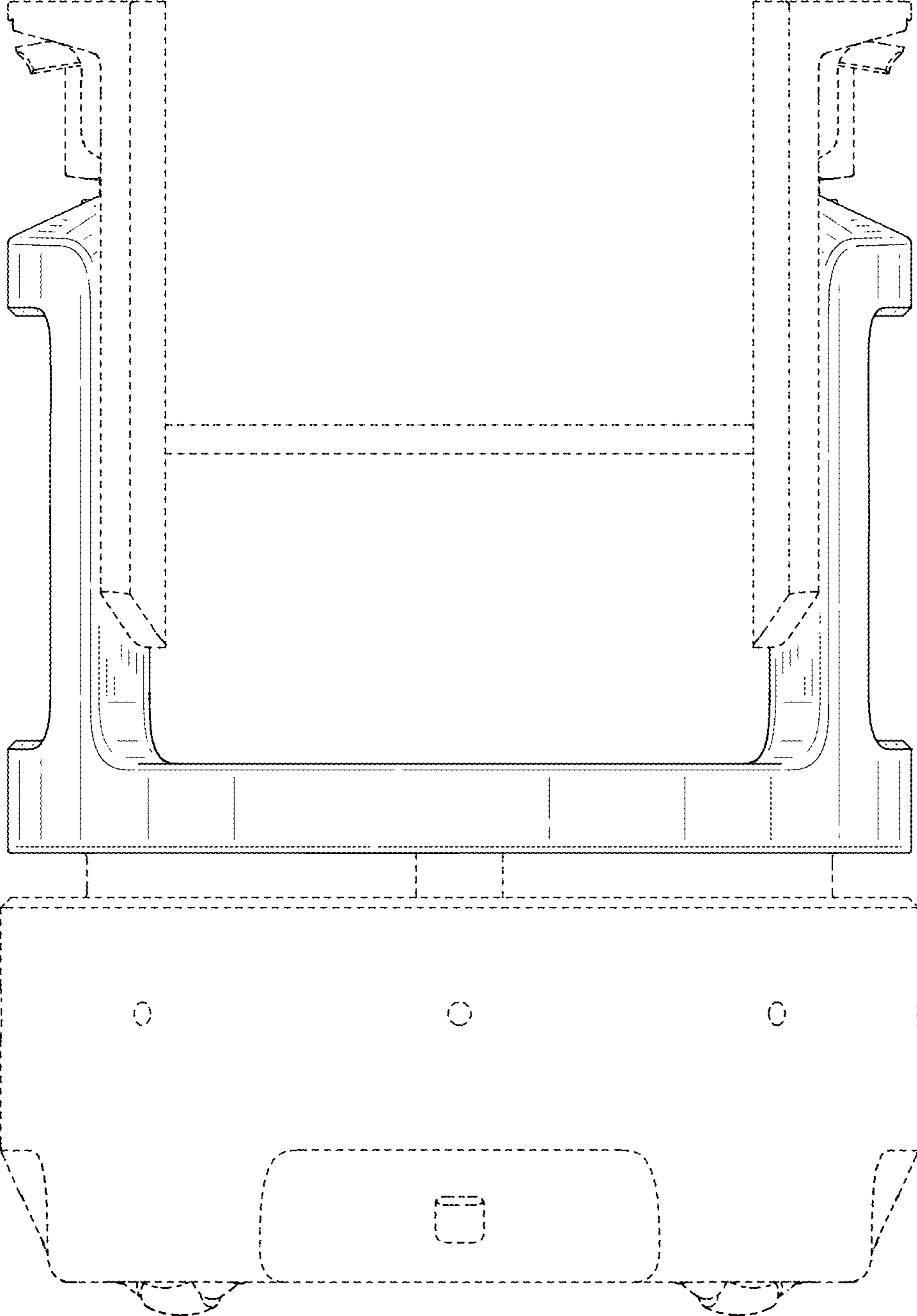


FIG.6

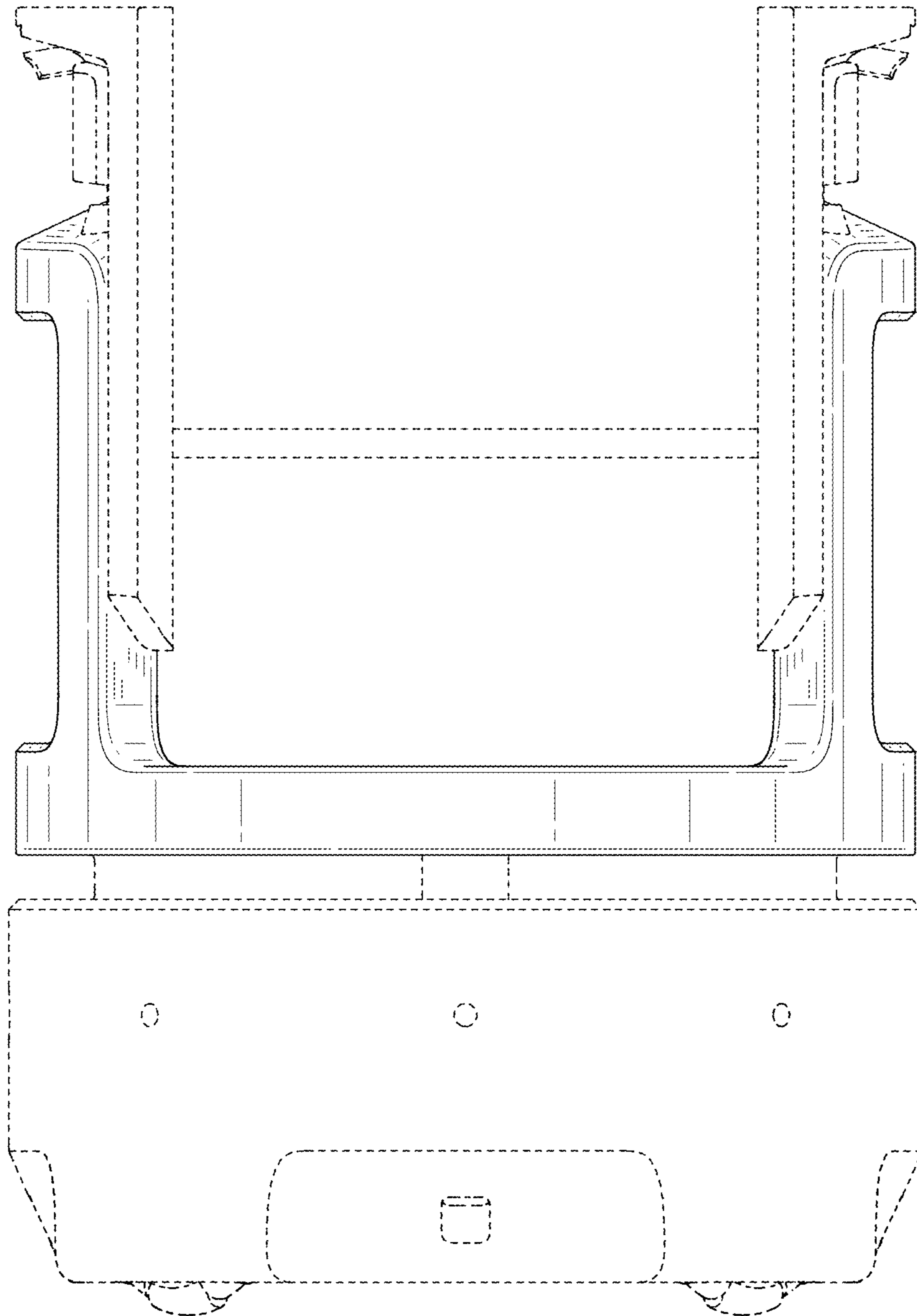




FIG.7

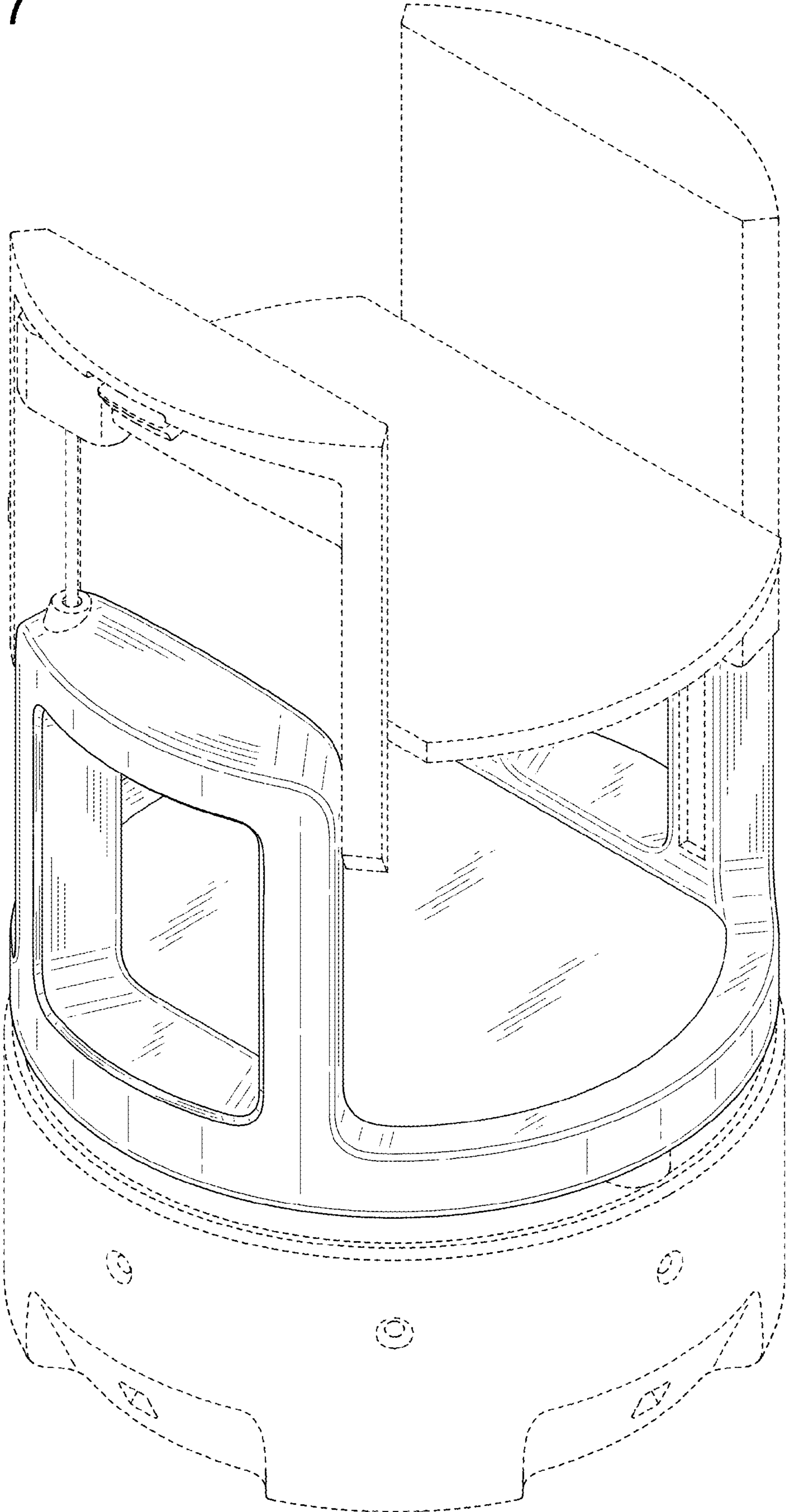


FIG.8

