



US00D884764S

(12) **United States Design Patent**
Mori

(10) **Patent No.:** **US D884,764 S**

(45) **Date of Patent:** **** May 19, 2020**

- (54) **AUTOMATIC GUIDED VEHICLE**
- (71) Applicant: **KABUSHIKI KAISHA TOYOTA**
JIDOSHOKKI, Kariya-shi, Aichi-ken
(JP)
- (72) Inventor: **Hiroki Mori**, Kariya (JP)
- (73) Assignee: **KABUSHIKI KAISHA TOYOTA**
JIDOSHOKKI, Kariya-shi, Aichi-ken
(JP)
- (**) Term: **15 Years**
- (21) Appl. No.: **29/682,386**
- (22) Filed: **Mar. 5, 2019**
- (30) **Foreign Application Priority Data**
Sep. 10, 2018 (JP) 2018-019652
- (51) **LOC (12) Cl.** **15-09**
- (52) **U.S. Cl.**
USPC **D15/199; D34/34**
- (58) **Field of Classification Search**
USPC D12/91; D15/199; D21/578-583, 621,
D21/622; D34/28, 34
CPC G05D 1/0022; G05D 2201/0209; G08C
17/00; G08C 2201/40
See application file for complete search history.

- (56) **References Cited**
U.S. PATENT DOCUMENTS
D295,105 S * 4/1988 Dawson D34/18
5,324,948 A * 6/1994 Dudar G01S 15/931
250/253
D549,756 S * 8/2007 Park D15/199
D579,035 S * 10/2008 Kim B25J 11/008
D15/199
D736,117 S * 8/2015 Stone D12/1
D799,575 S * 10/2017 Tang D15/199

- D802,040 S * 11/2017 Canoso D15/199
- D809,040 S * 1/2018 Webb, II D15/199
- D809,044 S * 1/2018 Loew D16/202
- D810,167 S * 2/2018 Yang D15/199
- D810,799 S * 2/2018 Sokuza D15/199
- D811,458 S * 2/2018 Wang D15/199
- D813,284 S * 3/2018 Wei D15/199
- D817,375 S * 5/2018 Deyle D15/199
- D819,712 S * 6/2018 Gee D15/199
- D820,334 S * 6/2018 Lee D15/199
- D826,302 S * 8/2018 Tsukamoto D15/199
- D829,793 S * 10/2018 Wang D15/199
- D835,693 S * 12/2018 Lee D15/199
- D840,452 S * 2/2019 Yoo D15/199
- D840,453 S * 2/2019 Yoo D15/199
- D841,067 S * 2/2019 Camporesi D15/199
- D843,428 S * 3/2019 Gee D15/199
- D852,250 S * 6/2019 Nabeiro D15/199
- D855,673 S * 8/2019 Sutherland D15/199

(Continued)

Primary Examiner — Patricia A Palasik
(74) *Attorney, Agent, or Firm* — Sughrue Mion, PLLC

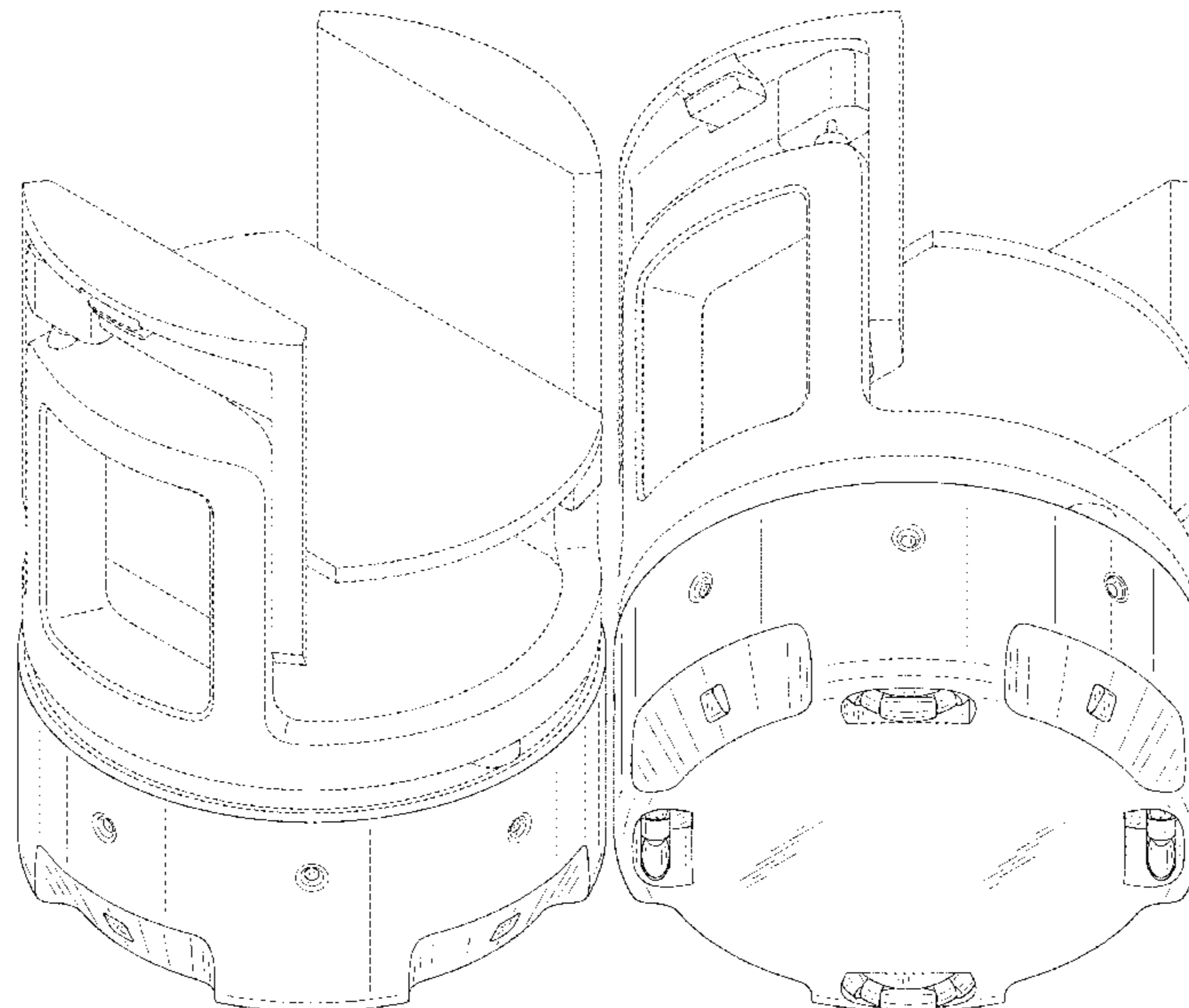
(57) **CLAIM**

The ornamental design for an automatic guided vehicle, as shown and described.

DESCRIPTION

FIG. 1 is a front, top and right side perspective view of an automatic guided vehicle showing my new design;
 FIG. 2 is a rear, bottom and left side perspective view thereof;
 FIG. 3 is a front view thereof, the rear view being a mirror image of FIG. 3;
 FIG. 4 is a top plan view thereof;
 FIG. 5 is a bottom plan view thereof;
 FIG. 6 is a right side view thereof; and,
 FIG. 7 is a left side view thereof.
 The broken lines illustrate portions of the automatic guided vehicle that form no part of the claimed design.

1 Claim, 7 Drawing Sheets



(56)

References Cited

U.S. PATENT DOCUMENTS

D857,074 S * 8/2019 Kim D15/199
D869,533 S * 12/2019 Kim D15/199
D870,787 S * 12/2019 Kim D15/199
D870,788 S * 12/2019 Kim D15/199
D871,474 S * 12/2019 Kolb D15/199
D871,477 S * 12/2019 Kolb D15/199
D871,478 S * 12/2019 Wang D15/199
D872,152 S * 1/2020 Xiong D15/199
D872,788 S * 1/2020 Sutherland D15/199
2011/0135189 A1* 6/2011 Lee B25J 9/1682
382/153
2014/0350725 A1* 11/2014 LaFary G05B 19/4061
700/253
2015/0088359 A1* 3/2015 Choi G05D 1/0225
701/23
2018/0178375 A1* 6/2018 Yang B25J 9/0003

* cited by examiner

FIG.1

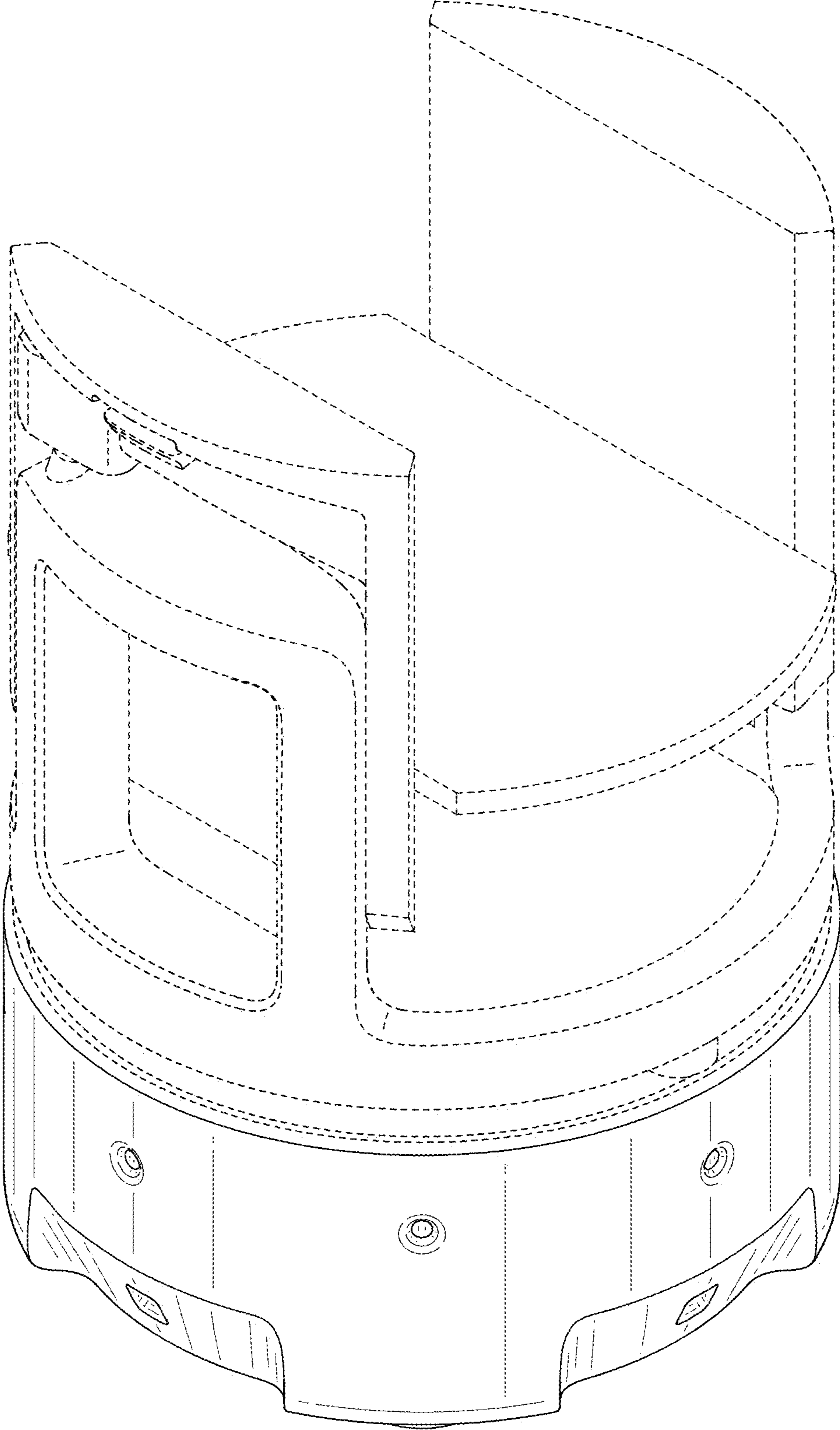


FIG.2

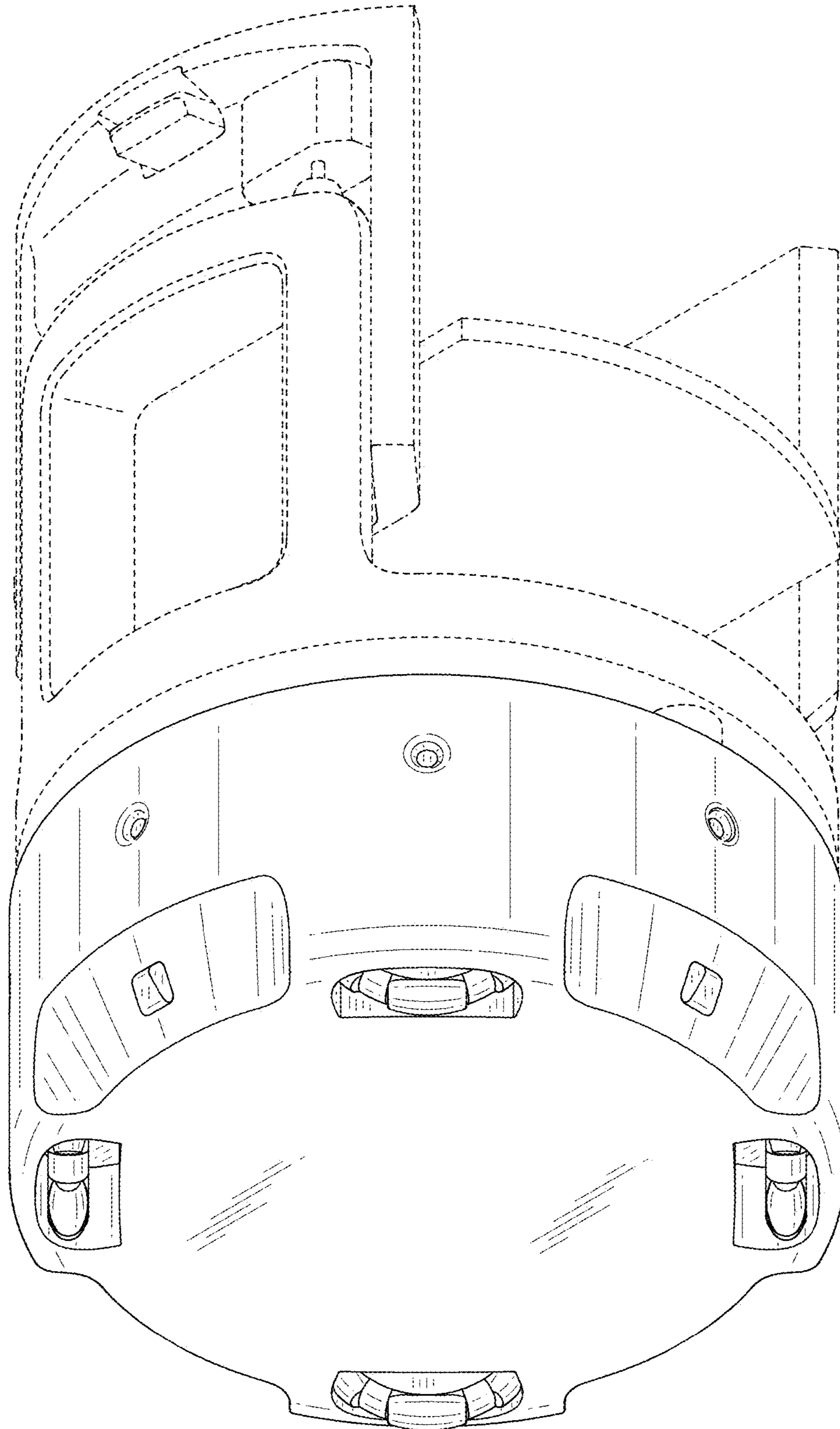


FIG.3

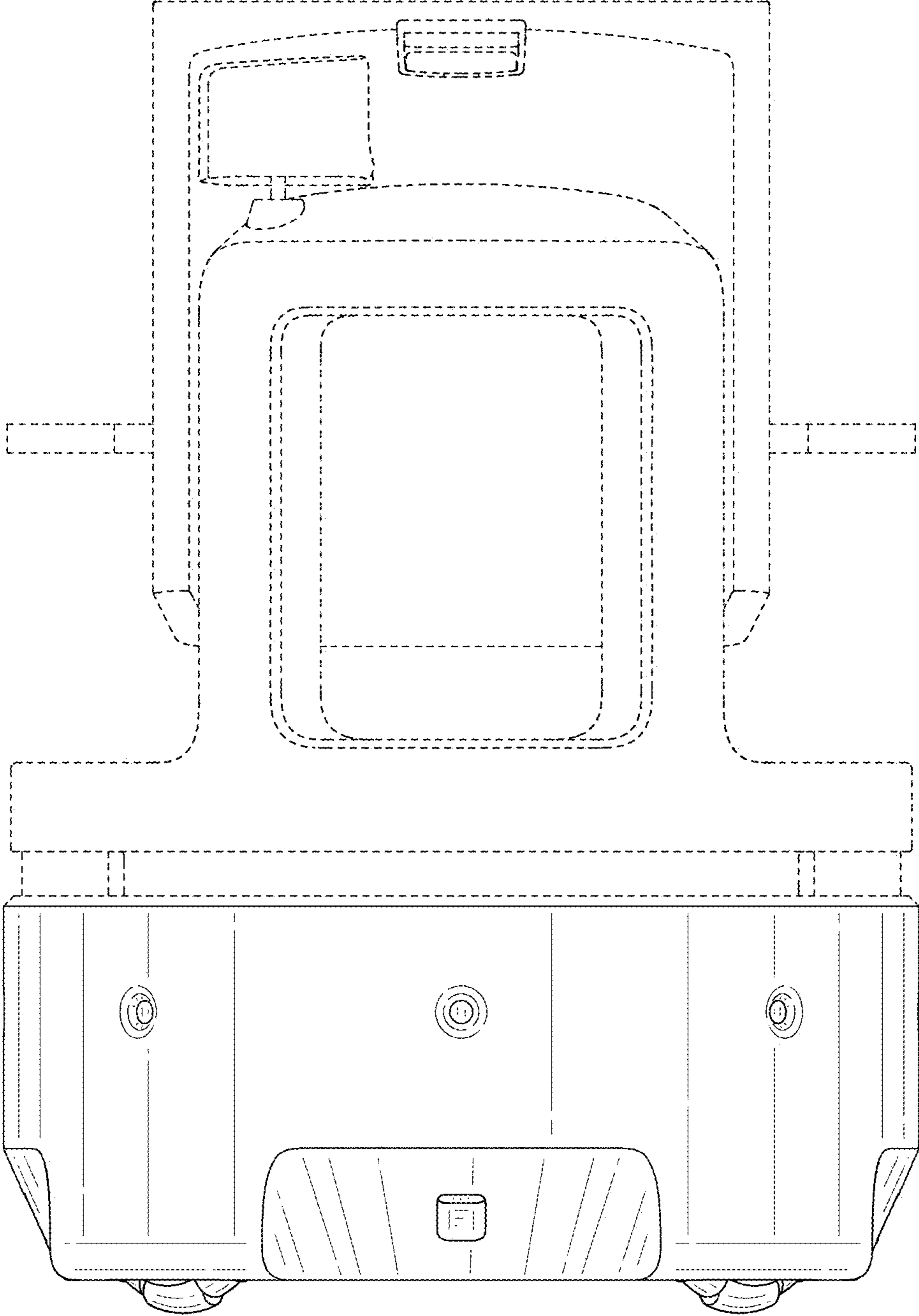


FIG.4

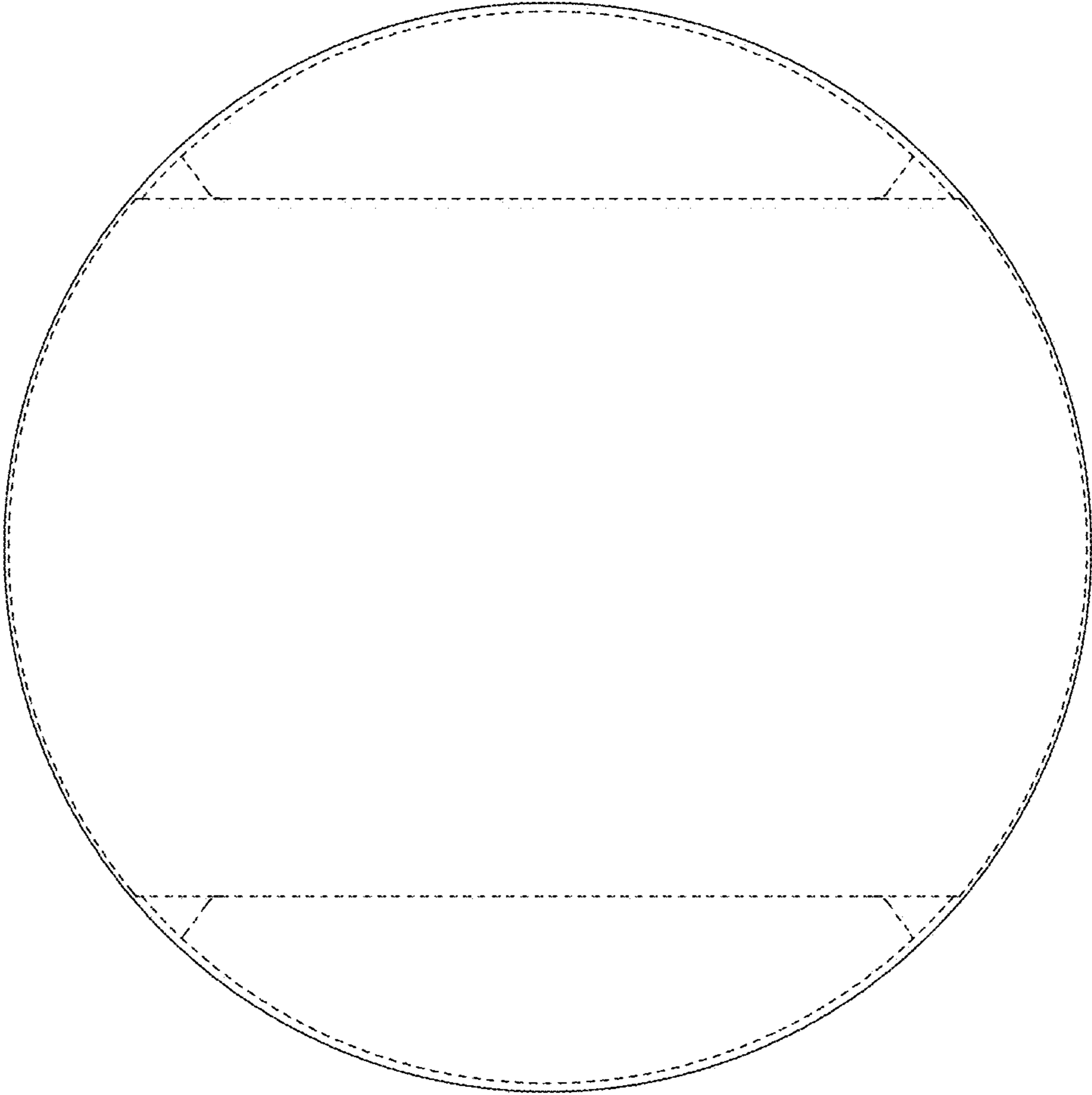


FIG.5

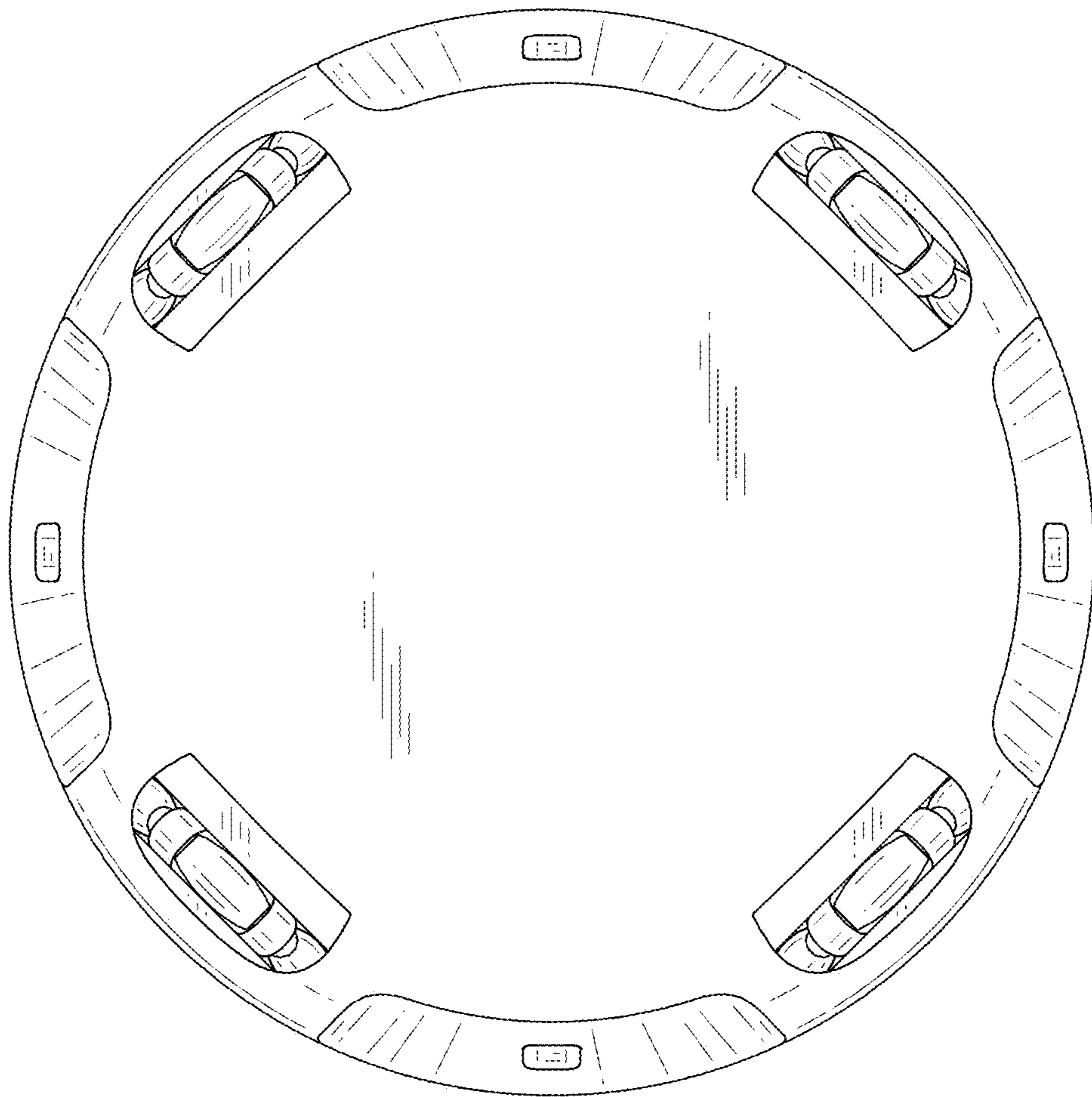


FIG.6

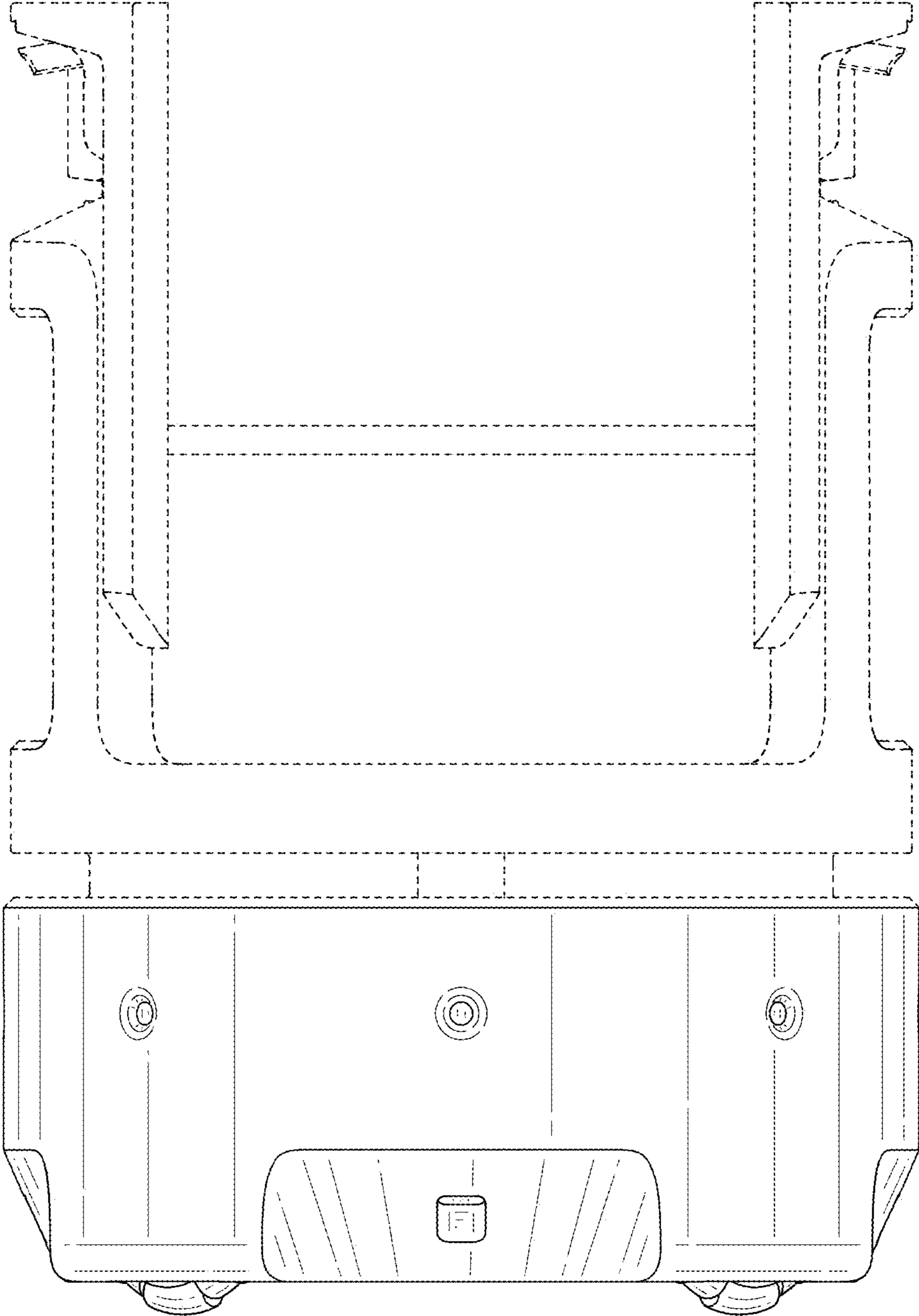


FIG.7

