



US00D884758S

(12) **United States Design Patent**  
**Shu et al.**

(10) **Patent No.:** **US D884,758 S**

(45) **Date of Patent:** **\*\* May 19, 2020**

(54) **WELDING MACHINE**

(71) Applicant: **SHANGHAI HUGONG ELECTRIC (GROUP) CO., LTD.**, Shanghai (CN)

(72) Inventors: **Zhenyu Shu**, Shanghai (CN); **Zhiqiang Li**, Shanghai (CN)

(73) Assignee: **SHANGHAI HUGONG ELECTRIC (GROUP) CO., LTD.** (CN)

(\*\*) Term: **15 Years**

(21) Appl. No.: **29/661,574**

(22) Filed: **Aug. 29, 2018**

(30) **Foreign Application Priority Data**

May 18, 2018 (CN) ..... 2018 3 0230099

(51) **LOC (12) Cl.** ..... **15-09**

(52) **U.S. Cl.**  
USPC ..... **D15/144**

(58) **Field of Classification Search**  
USPC ..... D8/29.1, 30; D13/101, 109, 110, 112, D13/116, 122, 123, 133, 144, 184; D15/122, 144, 144.1, 144.2  
CPC ... B23K 9/00; B29C 65/1432; B29C 65/1467; B29C 65/4815; B29C 65/5042; B29C 65/5092  
See application file for complete search history.

(56) **References Cited**

**U.S. PATENT DOCUMENTS**

D243,459 S \* 2/1977 Bliss ..... D15/144  
D309,597 S \* 7/1990 Higuchi ..... D13/116  
D518,078 S \* 3/2006 Persson ..... D15/144.1  
D520,038 S \* 5/2006 Ljungfeldt ..... D15/144.1  
D569,884 S \* 5/2008 Shu ..... D15/144  
D626,576 S \* 11/2010 Gramatyka ..... D15/144  
D627,724 S \* 11/2010 Cai ..... D13/116

D652,436 S \* 1/2012 Ostlund ..... D15/144  
D679,738 S \* 4/2013 Segala ..... D15/144  
D752,665 S \* 3/2016 Kindig ..... D15/144  
D775,250 S \* 12/2016 Snead ..... D15/144  
D777,108 S \* 1/2017 Mittermair ..... D13/137.4  
D811,456 S \* 2/2018 Dekker ..... D15/144  
D812,119 S \* 3/2018 Dekker ..... D15/144  
D813,161 S \* 3/2018 Ortakales ..... D13/110  
D820,332 S \* 6/2018 Brusky ..... D15/144  
D821,465 S \* 6/2018 Lin ..... D15/144  
D821,466 S \* 6/2018 Lin ..... D15/144  
D829,788 S \* 10/2018 Lin ..... D15/144  
D836,146 S \* 12/2018 Lin ..... D15/144  
D839,328 S \* 1/2019 Lin ..... D15/144  
D840,925 S \* 2/2019 Tschopp ..... D13/107  
D853,459 S \* 7/2019 Huotari ..... D15/144  
D854,593 S \* 7/2019 Shu ..... D15/144  
D855,092 S \* 7/2019 Shu ..... D15/144  
D856,930 S \* 8/2019 Huang ..... D13/116

\* cited by examiner

*Primary Examiner* — Brett Miller

*Assistant Examiner* — Fitzgerald L Butac

(74) *Attorney, Agent, or Firm* — McDonald Hopkins LLC

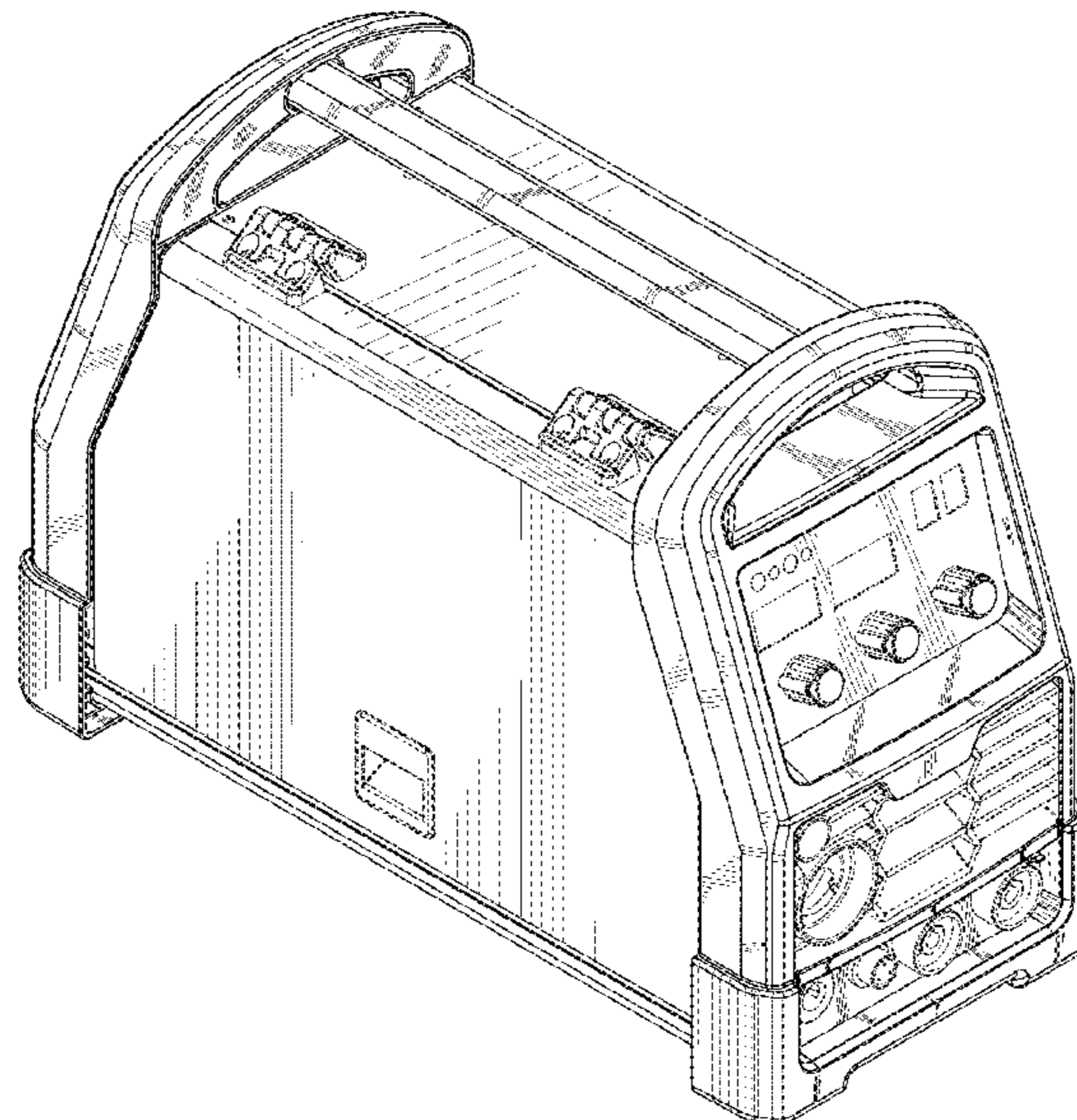
(57) **CLAIM**

The ornamental design for a welding machine, as shown and described.

**DESCRIPTION**

FIG. 1 is a perspective view of the design for a welding machine;  
FIG. 2 is a front view thereof;  
FIG. 3 is a rear view thereof;  
FIG. 4 is a left view thereof;  
FIG. 5 is a right view thereof;  
FIG. 6 is a top view thereof; and,  
FIG. 7 is a bottom view thereof.  
The broken lines shown in the figures depict portions of the welding machine that form no part of the claimed design.

**1 Claim, 5 Drawing Sheets**



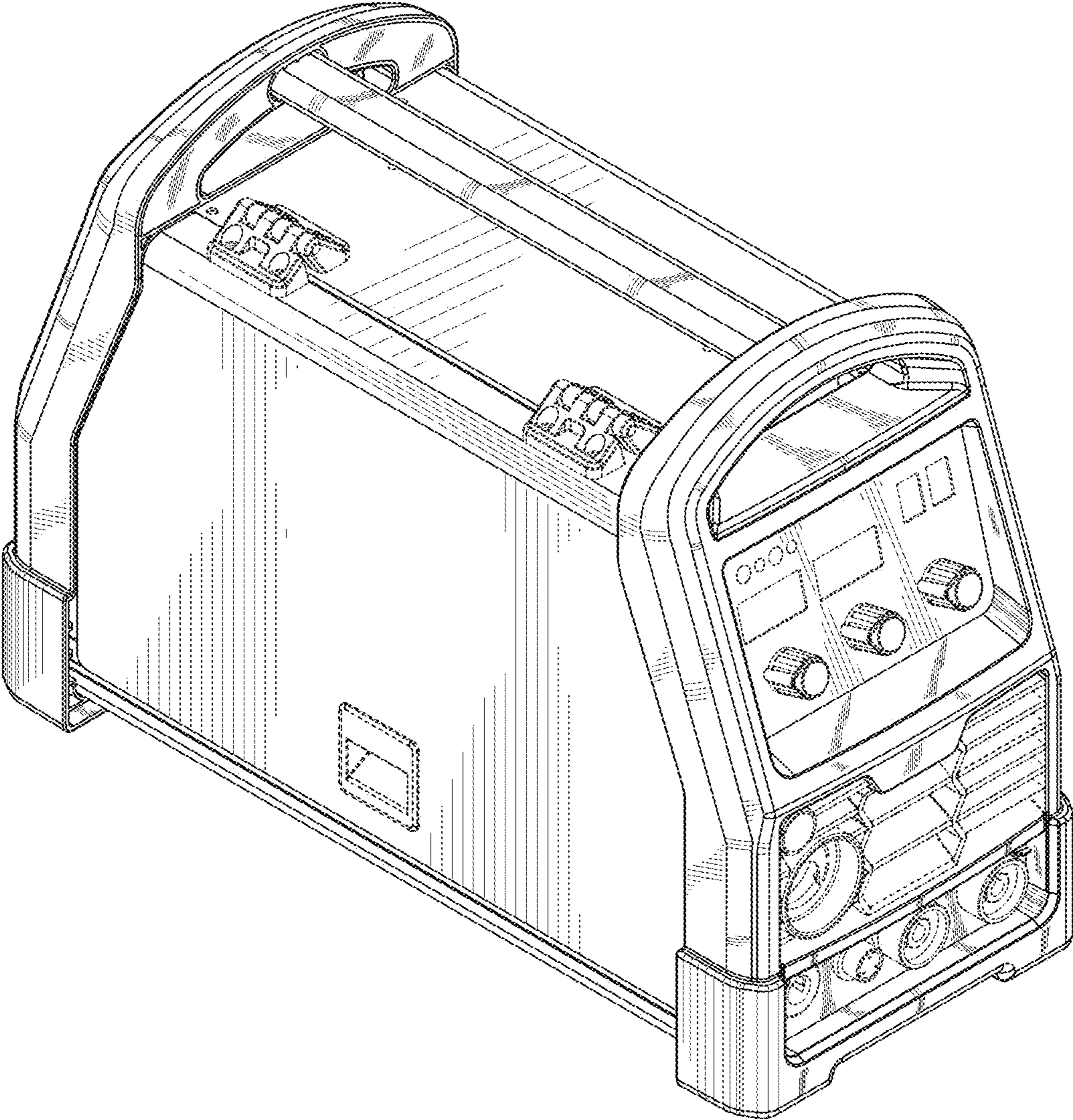


FIG. 1

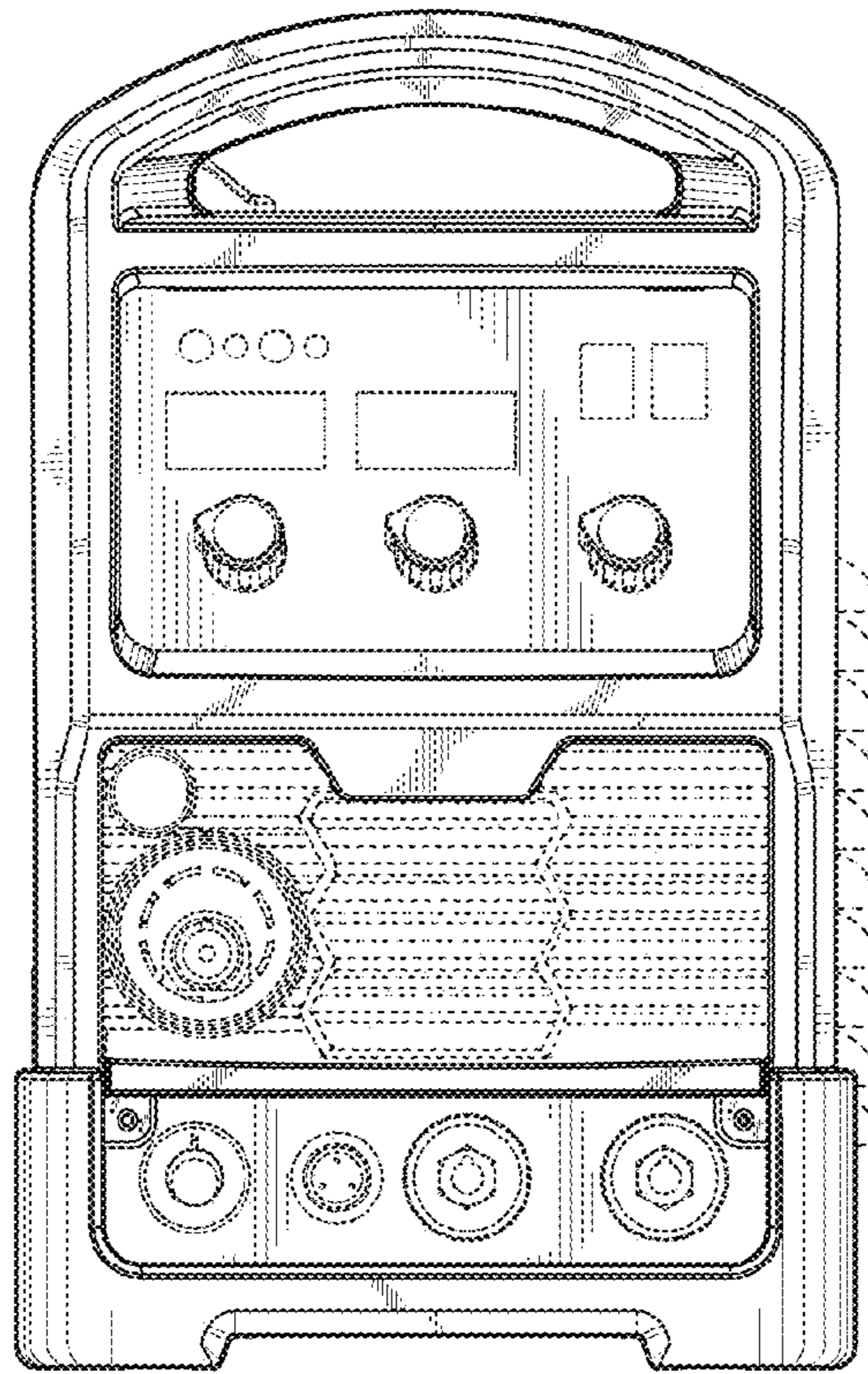


FIG. 2

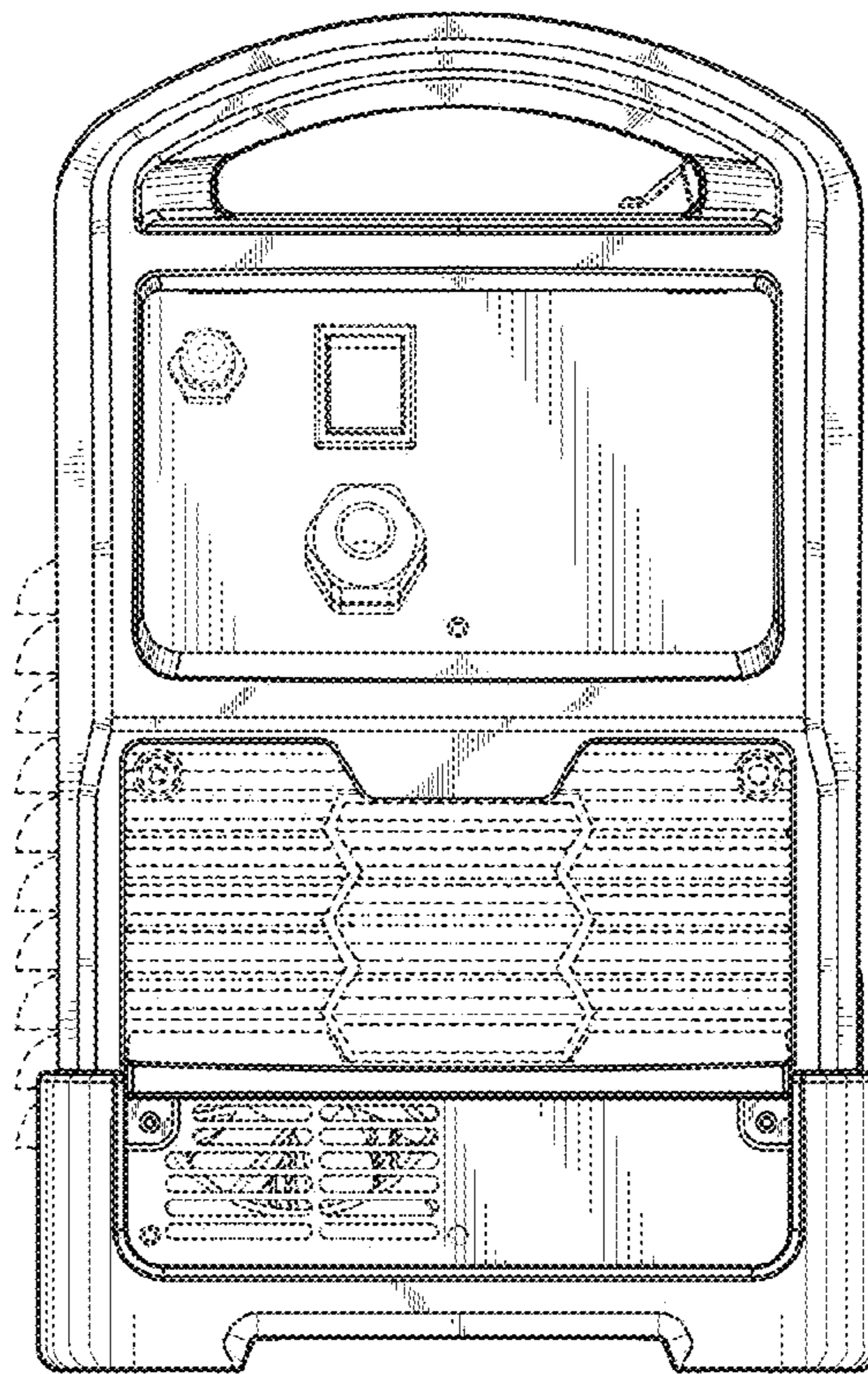


FIG. 3

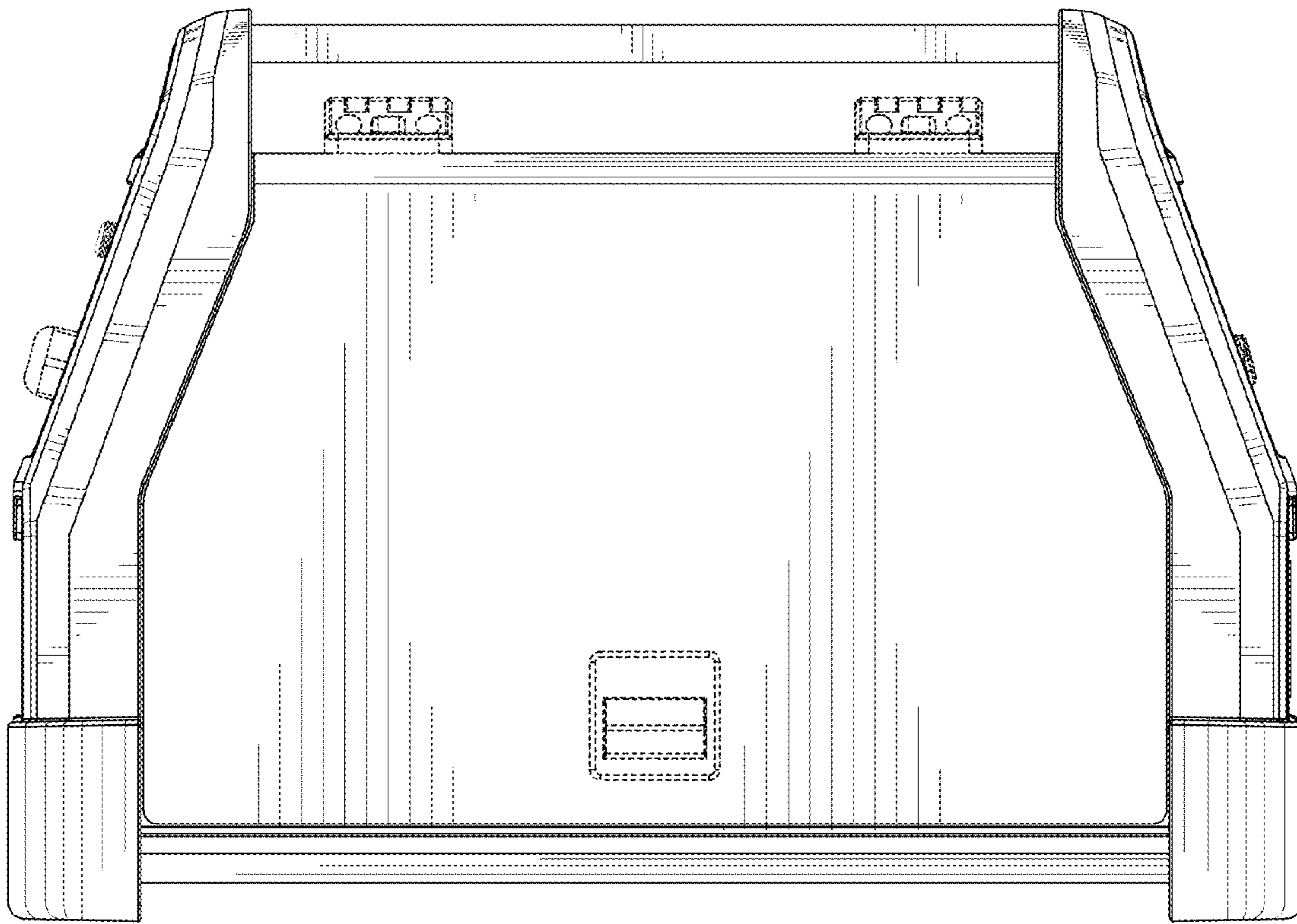


FIG. 4

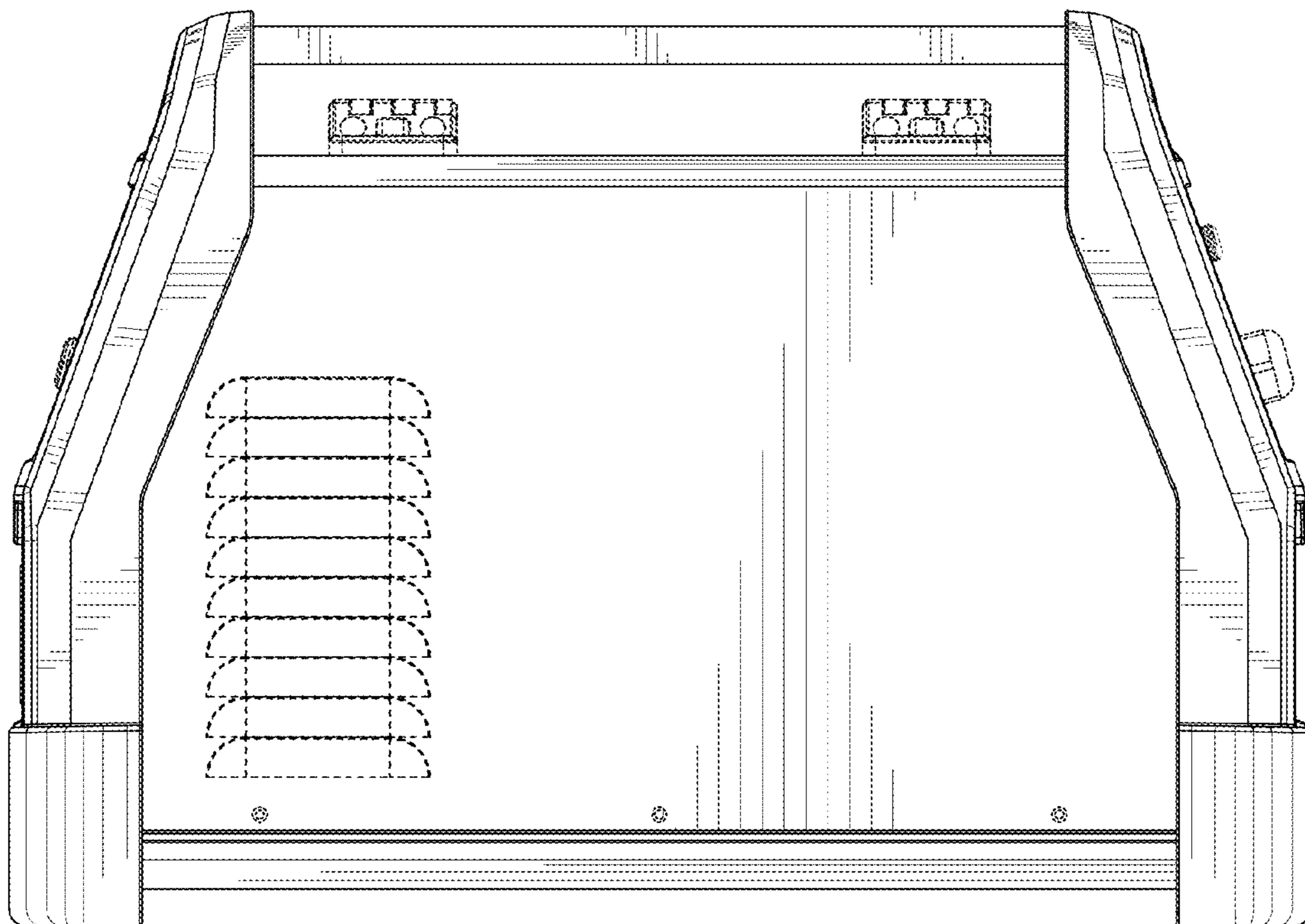


FIG. 5

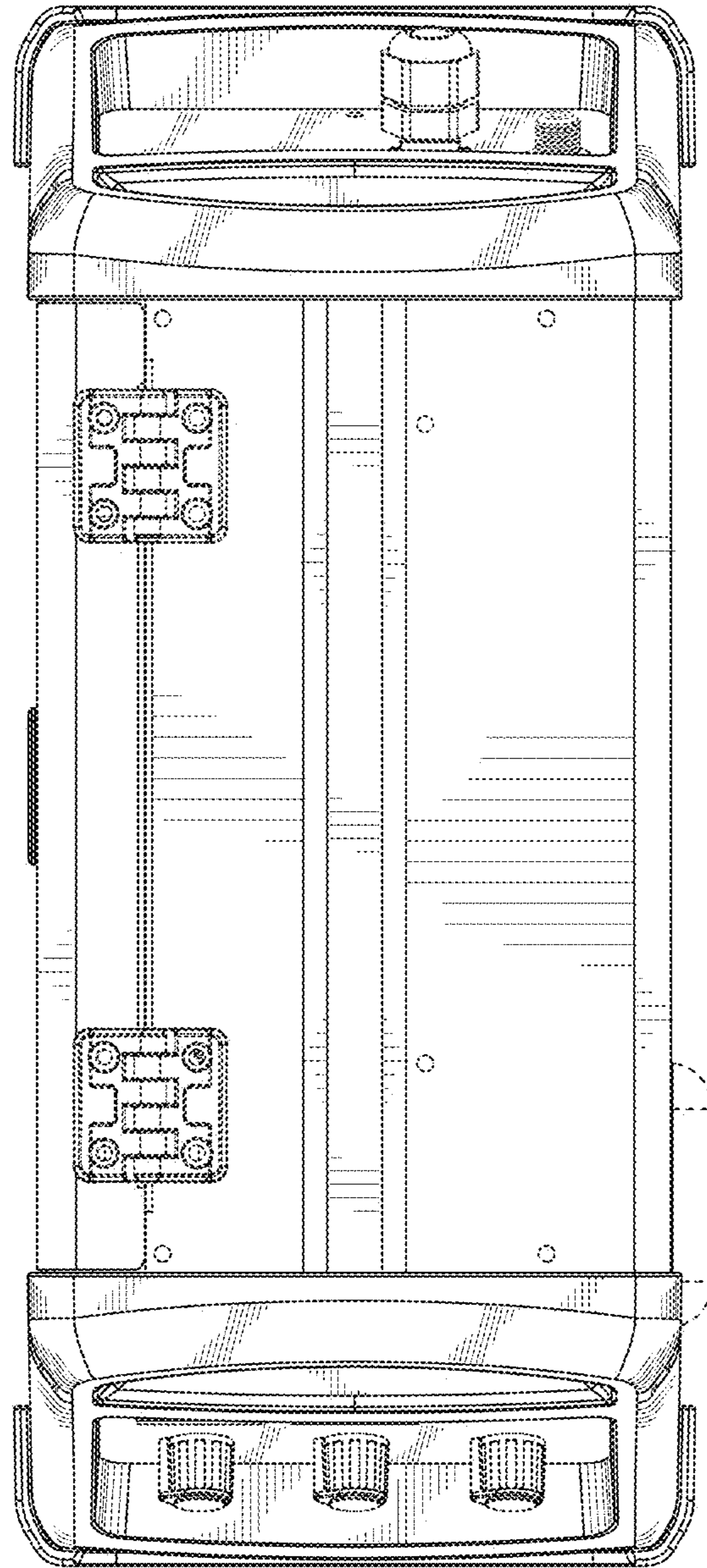


FIG.6

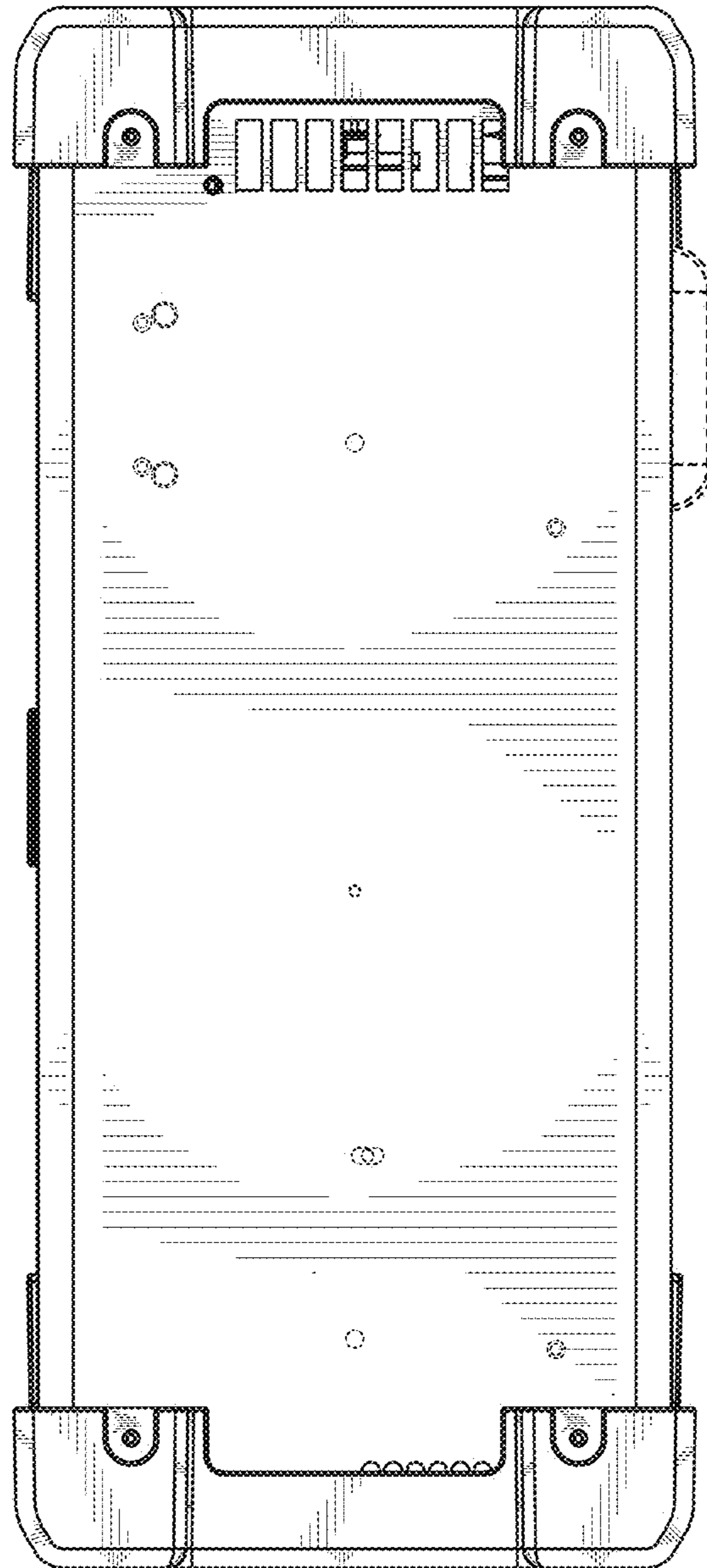


FIG. 7