



US00D884757S

(12) **United States Design Patent**
Fujii

(10) **Patent No.:** **US D884,757 S**

(45) **Date of Patent:** **** May 19, 2020**

(54) **ROTARY TOOL FOR BOAT OF SEMICONDUCTOR MANUFACTURING APPARATUS**

(71) Applicant: **Hitachi Kokusai Electric Inc.**, Toyama (JP)

(72) Inventor: **Satoshi Fujii**, Toyama (JP)

(73) Assignee: **KOKUSAI ELECTRIC CORPORATION**, Tokyo (JP)

(**) Term: **15 Years**

(21) Appl. No.: **29/633,904**

(22) Filed: **Jan. 17, 2018**

(30) **Foreign Application Priority Data**

Jul. 25, 2017 (JP) 2017-016038

(51) **LOC (12) Cl.** **15-09**

(52) **U.S. Cl.**
USPC **D15/130; D15/140; D8/349**

(58) **Field of Classification Search**
USPC D13/182, 184, 199; D15/4, 5, 9, 29, 130, D15/140, 199, 144, 144.1; D8/8, 14, 36, D8/61, 337, 349, 352, 373, 499; D18/10, D18/34.8, 40; D24/232, 234; D32/19, D32/25, 29, 32, 33, 35
CPC . B23Q 5/043; B23Q 5/04; B23Q 5/00; B23Q 5/34; H01L 23/32; H01L 23/40
See application file for complete search history.

(56) **References Cited**

U.S. PATENT DOCUMENTS

D223,686 S * 5/1972 Sadler et al. D15/7
D349,710 S * 8/1994 Moro D15/7

D384,674 S * 10/1997 Grolle D15/7
D654,092 S * 2/2012 Lugli D15/5
D654,524 S * 2/2012 Iversen D15/199
D665,433 S * 8/2012 Beam D15/143
D745,896 S * 12/2015 Ohser D15/9
D792,475 S * 7/2017 Ramakumar D15/9
D804,553 S * 12/2017 Takagi D15/143
D828,402 S * 9/2018 Sandkotter D15/9
D854,895 S * 7/2019 Cigarini D8/8
D855,914 S * 8/2019 Baker D32/25
D871,466 S * 12/2019 Okada D15/130

FOREIGN PATENT DOCUMENTS

JP S1485116 11/2013

* cited by examiner

Primary Examiner — Nathaniel D. Buckner

(74) *Attorney, Agent, or Firm* — Fitch, Even, Tabin & Flannery, LLP

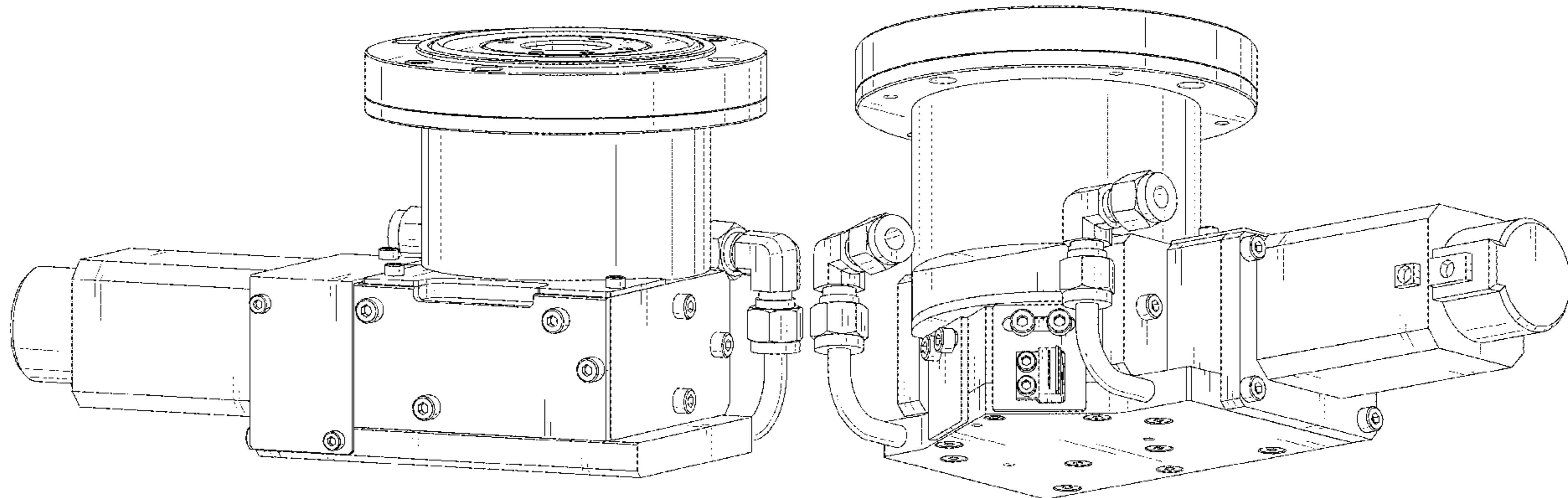
(57) **CLAIM**

I claim the ornamental design for a rotary tool for boat of semiconductor manufacturing apparatus, as shown and described.

DESCRIPTION

FIG. 1 is a front, top and right side perspective view of a rotary tool for boat of semiconductor manufacturing apparatus showing my new design;
FIG. 2 is a rear, bottom and left side perspective view thereof;
FIG. 3 is a front elevational view thereof;
FIG. 4 is a rear elevational view thereof;
FIG. 5 is a right side elevational view thereof;
FIG. 6 is a left side elevational view thereof;
FIG. 7 is a top plan view thereof; and,
FIG. 8 is a bottom plan view.

1 Claim, 4 Drawing Sheets



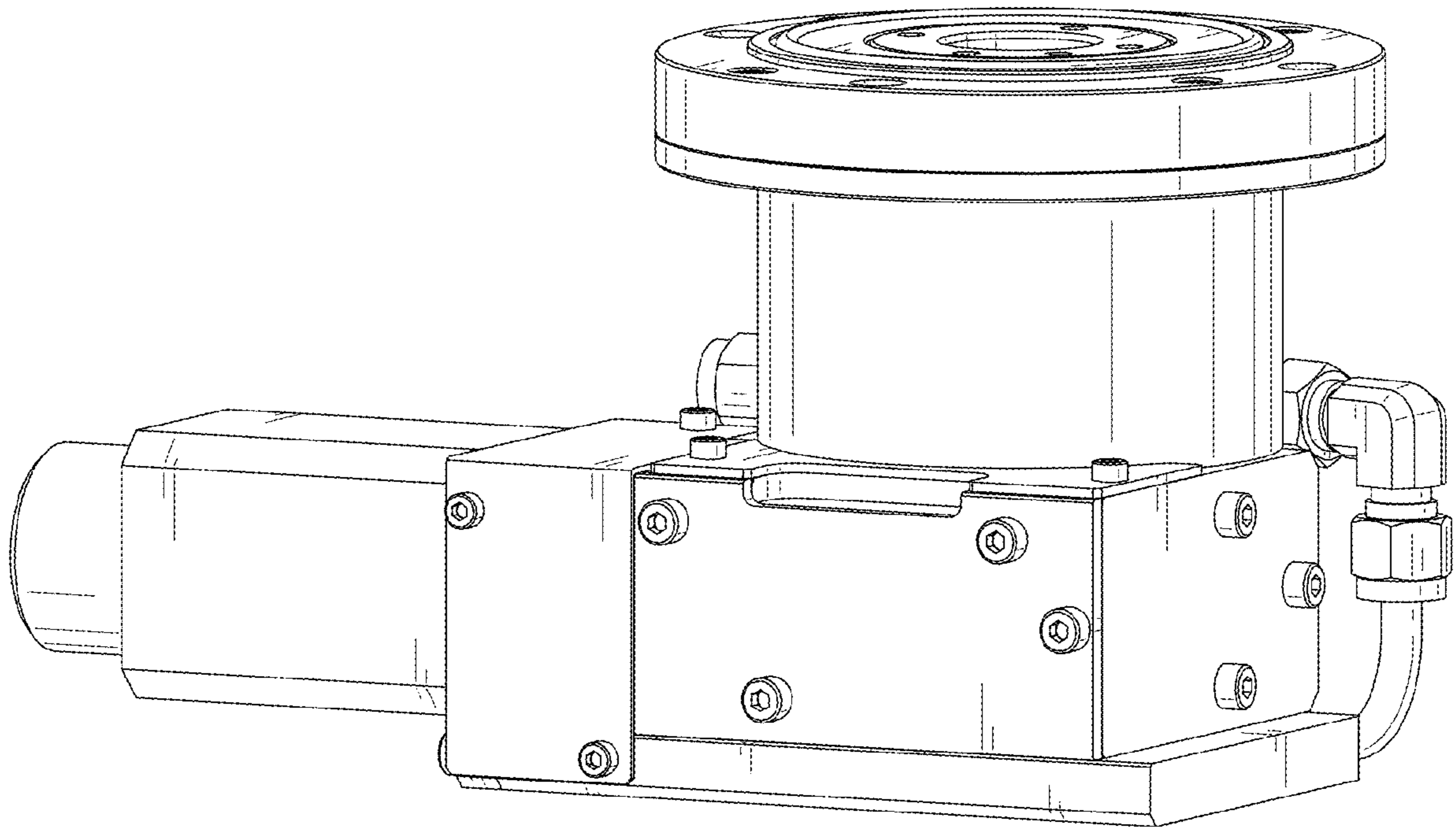


FIG. 1

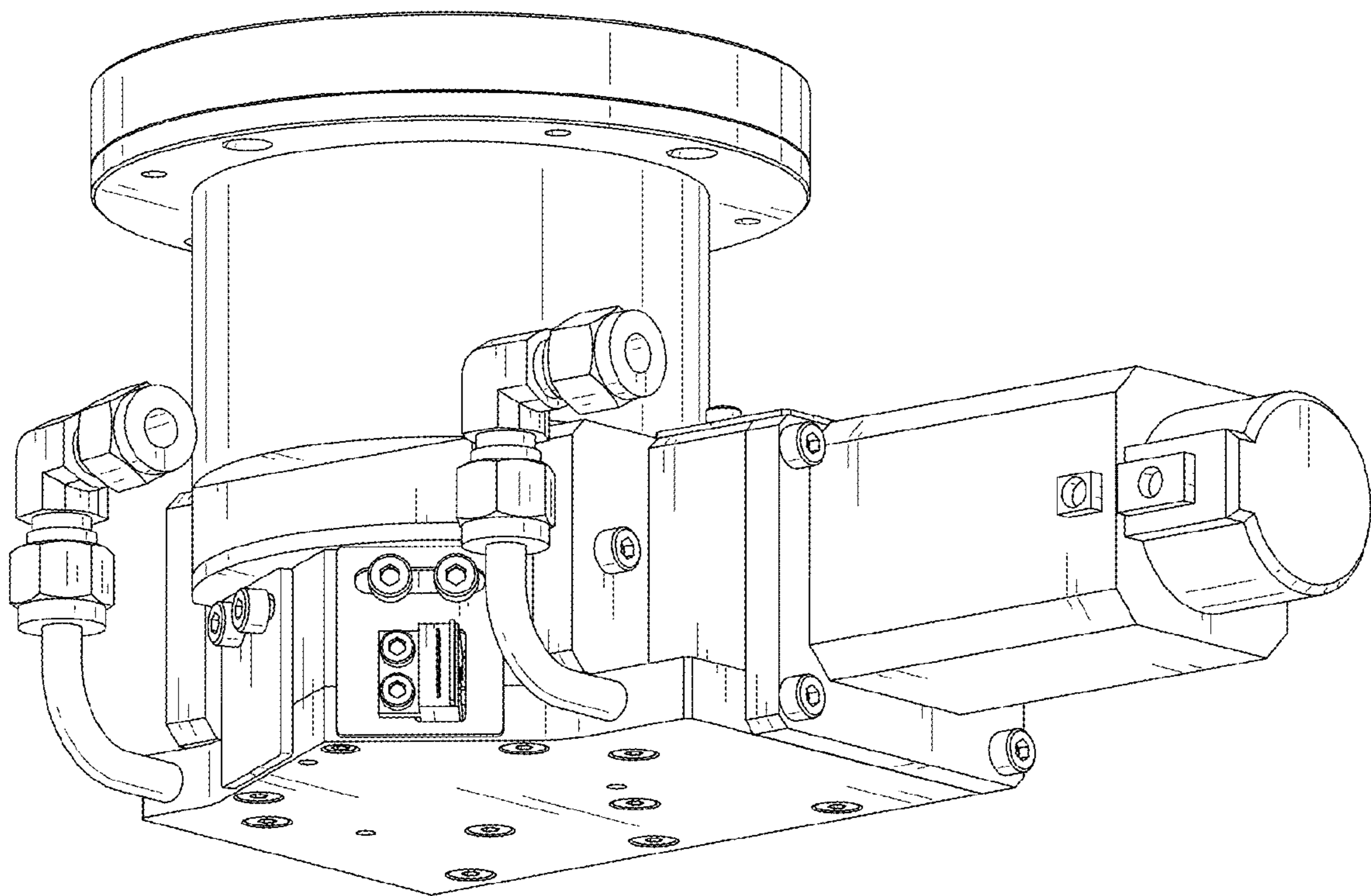


FIG. 2

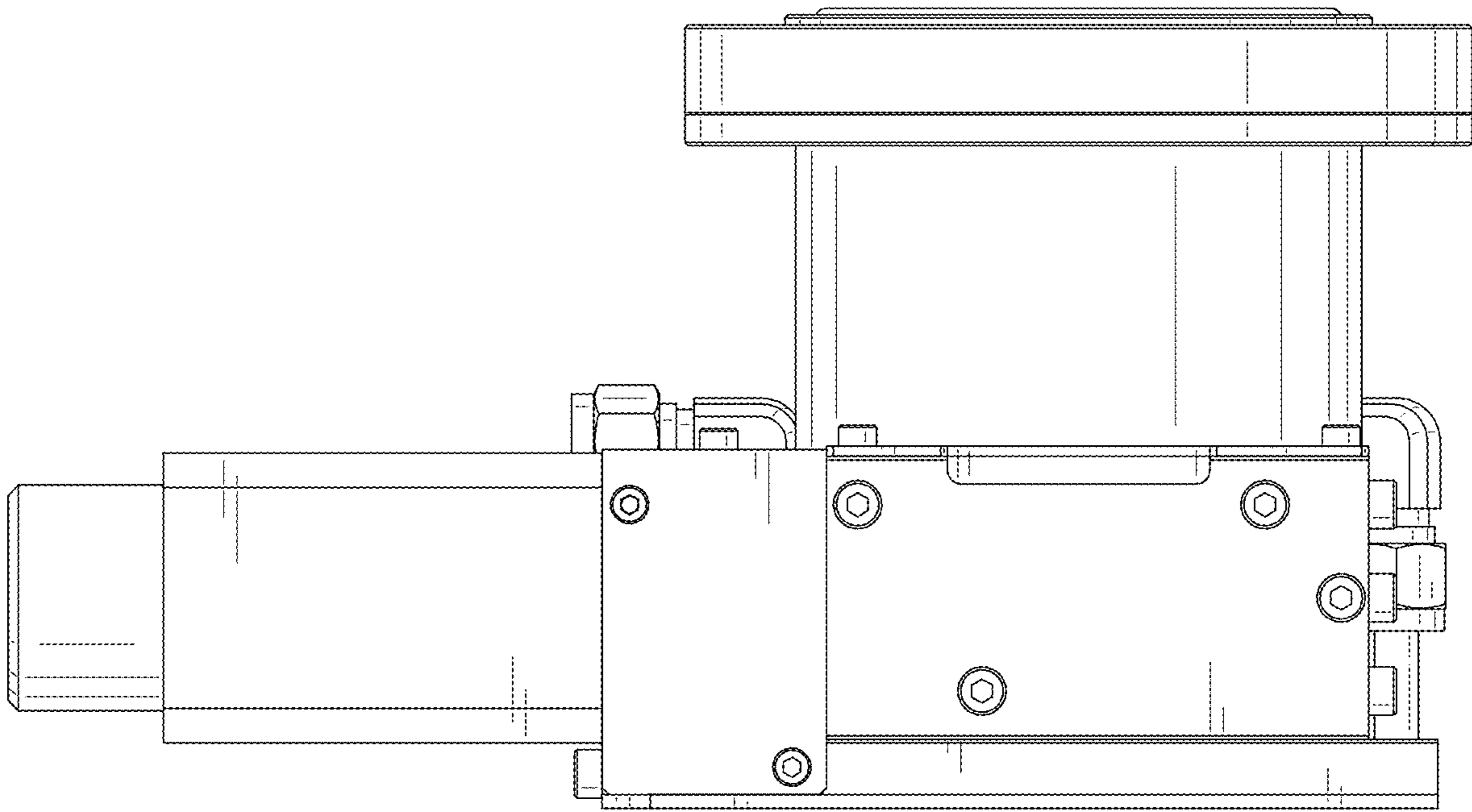


FIG. 3

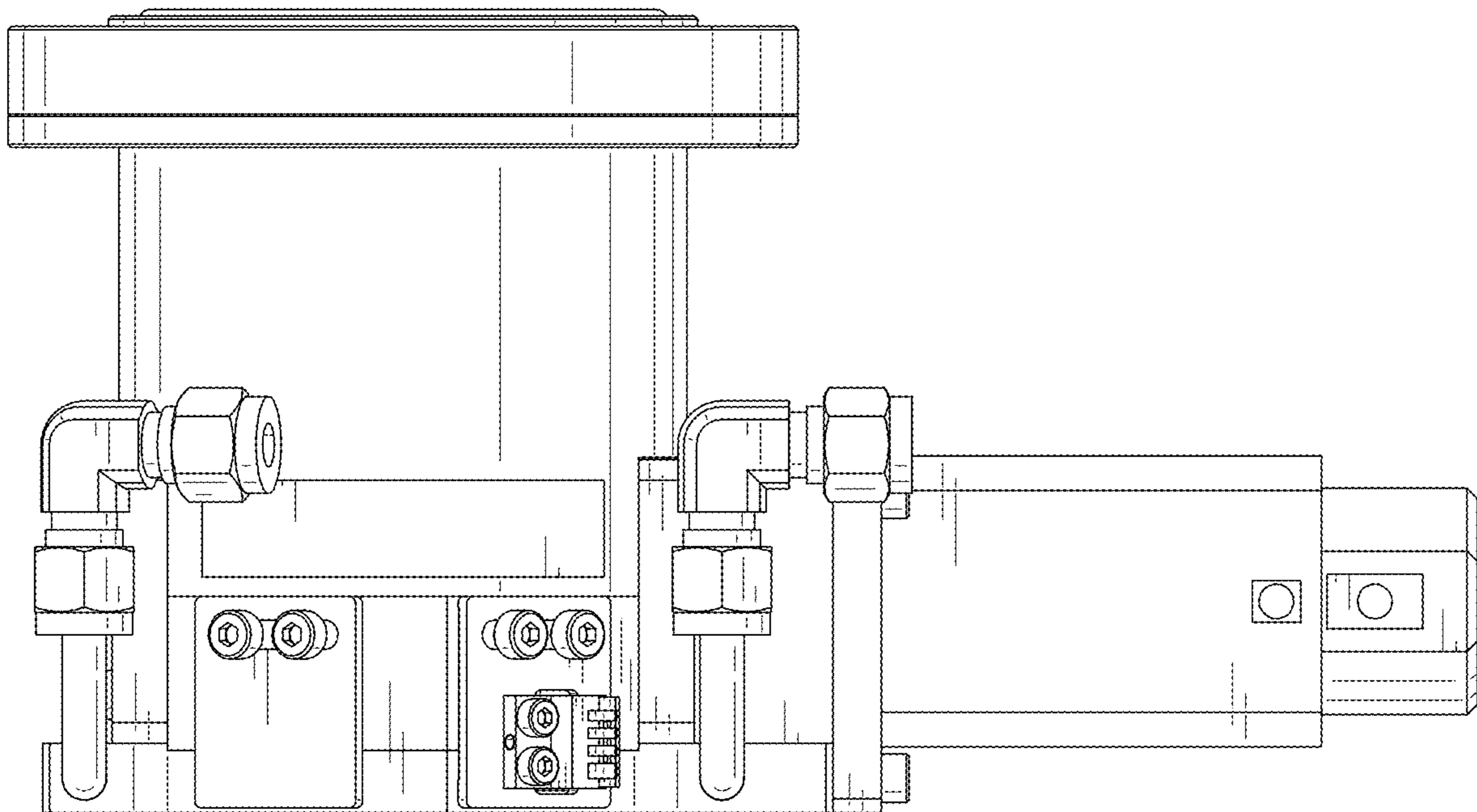


FIG. 4

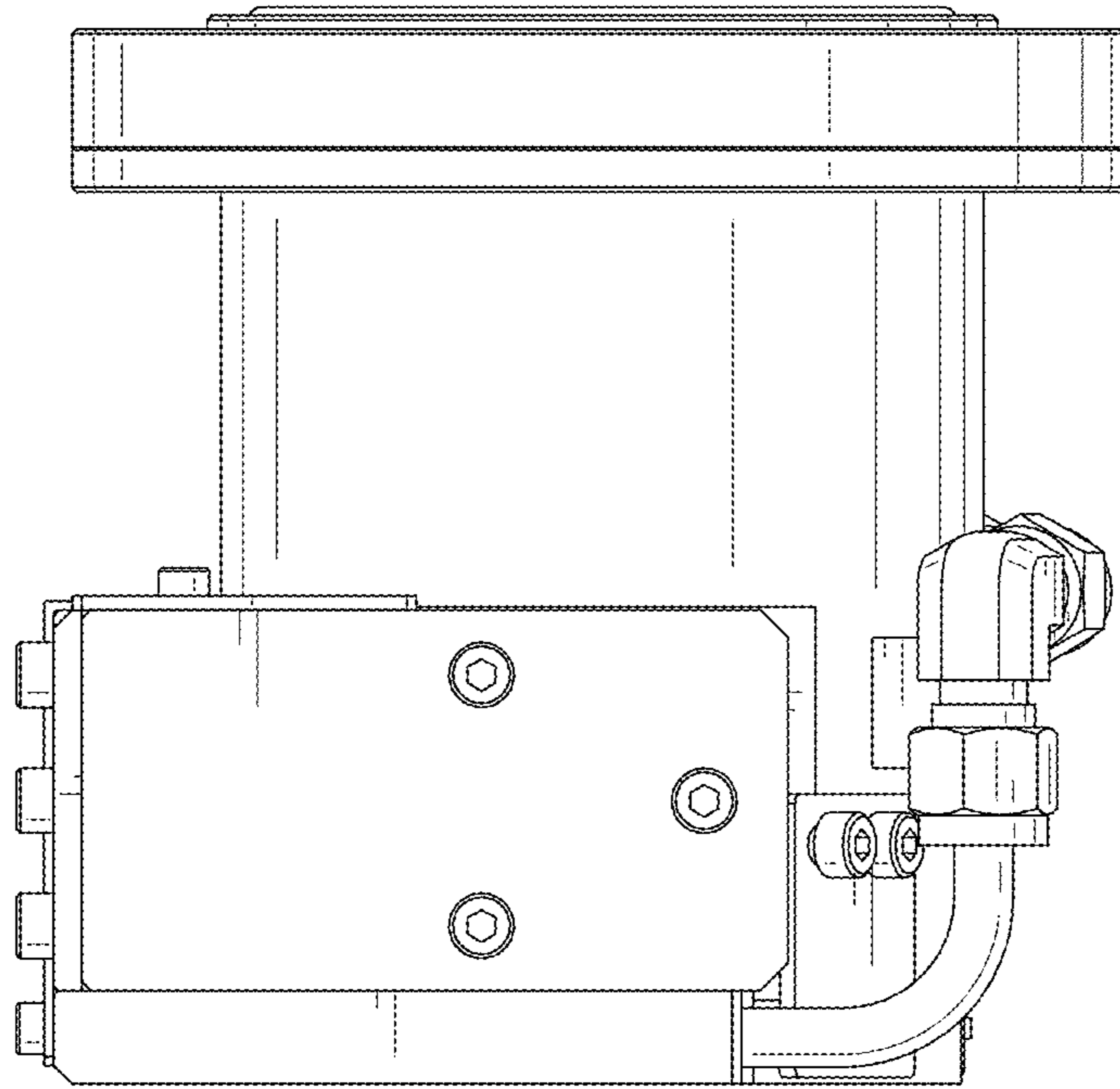


FIG. 5

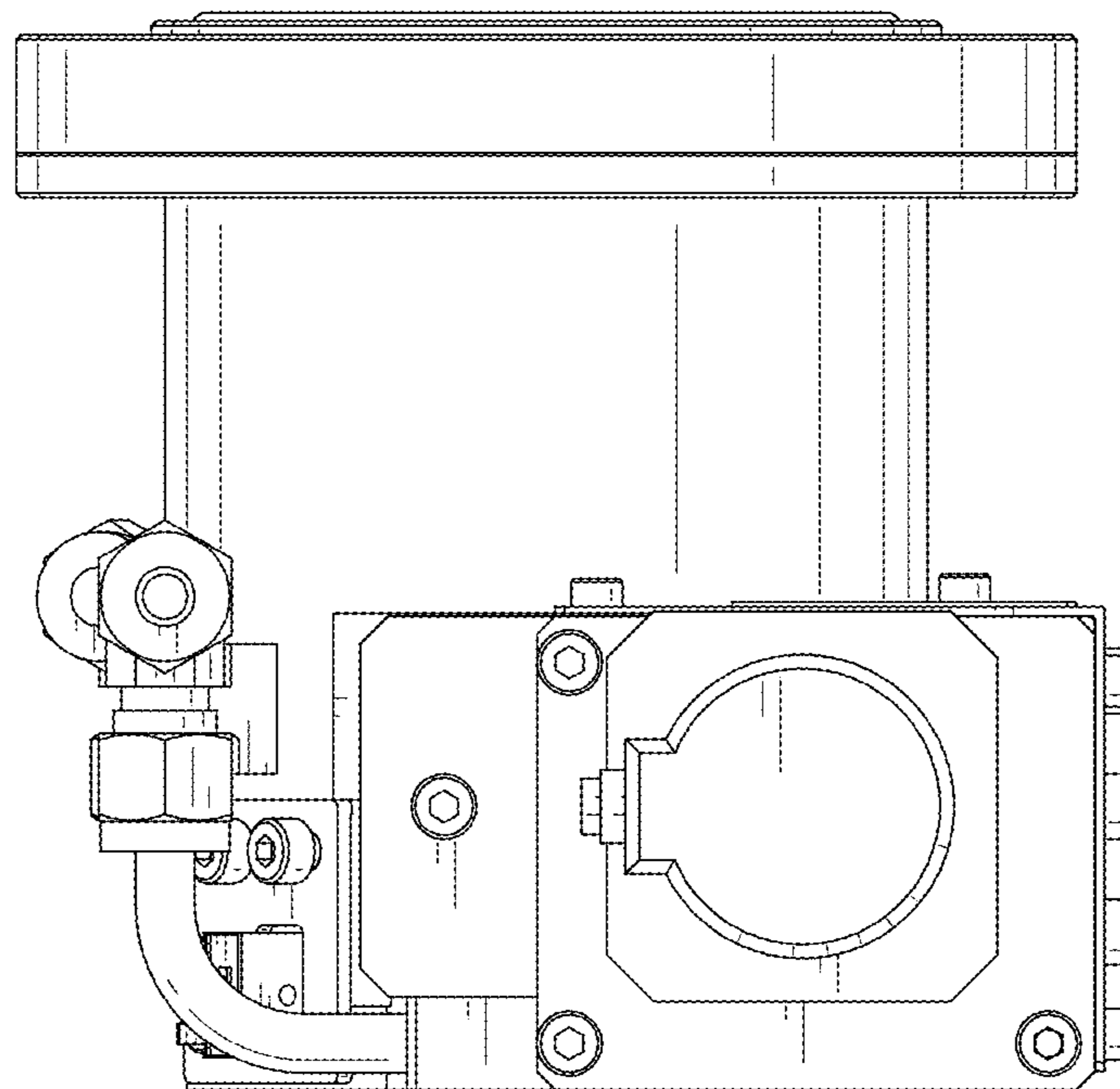


FIG. 6

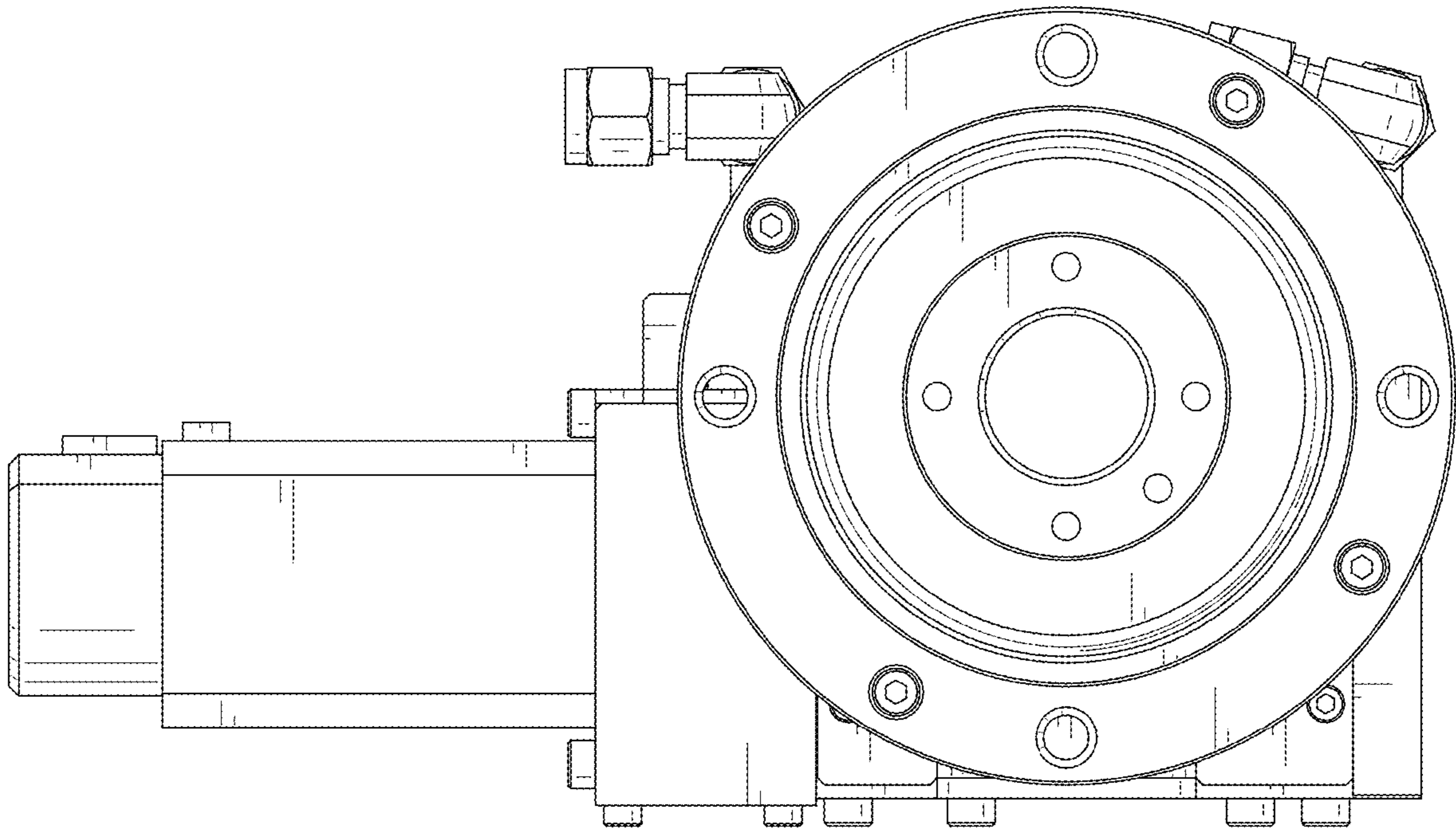


FIG. 7

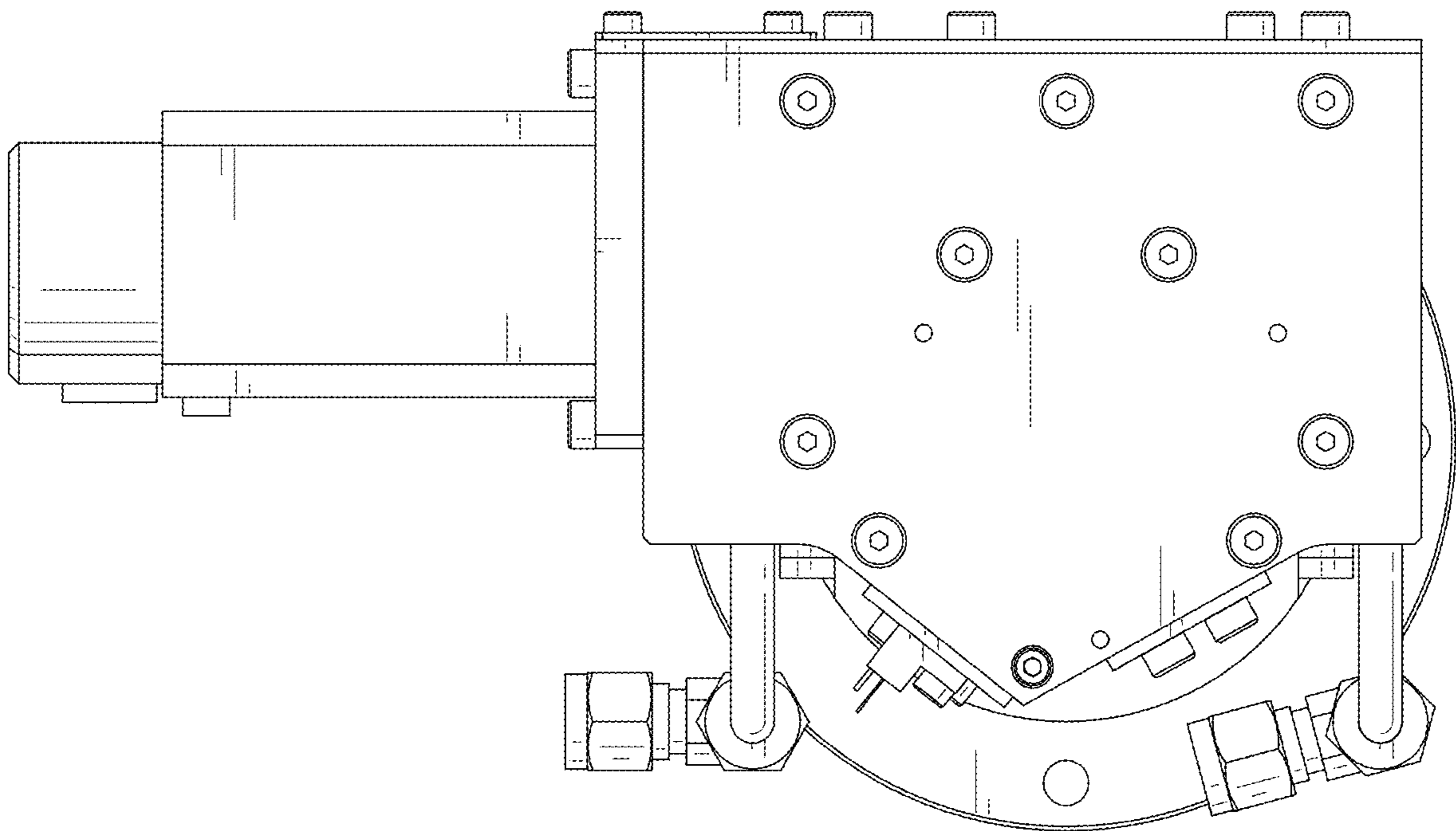


FIG. 8