



US00D884756S

(12) **United States Design Patent**
Chen et al.

(10) **Patent No.:** **US D884,756 S**
(45) **Date of Patent:** **** May 19, 2020**

(54) **PART OF LATHE**
(71) Applicant: **BUCCI AUTOMATIONS S.P.A.**,
Faenza (IT)
(72) Inventors: **Jia Wun Chen**, Taichung (TW);
Andrea Drei, Faenza (IT)
(73) Assignee: **BUCCI AUTOMATIONS S.P.A.**,
Faenza (IT)
(**) Term: **15 Years**
(21) Appl. No.: **29/608,522**
(22) Filed: **Jun. 22, 2017**

D336,306 S * 6/1993 Eichorst D15/149
5,863,018 A * 1/1999 Allen, III B23B 13/02
248/176.1
6,012,893 A * 1/2000 Drei B23Q 7/001
414/746.2
6,024,002 A * 2/2000 Ravaioli B23B 13/02
414/18
6,122,998 A * 9/2000 Iwashita B23B 13/02
414/14
6,832,534 B2 * 12/2004 Miyano B23B 13/128
82/1.11
8,051,755 B2 * 11/2011 Yamaguchi B23B 13/08
82/124
D764,140 S * 8/2016 Holzhaeuser D25/124
D800,810 S * 10/2017 Hynek D15/143
D800,812 S * 10/2017 Hynek D15/143
D836,877 S * 12/2018 Mason D34/29
2002/0098073 A1 * 7/2002 Drei B23B 13/126
414/746.2

(30) **Foreign Application Priority Data**

Dec. 23, 2016 (EM) 003536481

(51) **LOC (12) Cl.** **15-09**

(52) **U.S. Cl.**
USPC **D15/130**

(58) **Field of Classification Search**
USPC D15/127, 130, 138, 140, 141, 143;
D34/28, 29, 34, 35
CPC Y10T 82/21; Y10T 82/18; B23B 5/04;
B23B 5/02; B23B 2235/045
See application file for complete search history.

(56) **References Cited**

U.S. PATENT DOCUMENTS

3,799,363 A * 3/1974 Ross B23B 13/02
414/15
3,889,822 A * 6/1975 Ross B23B 13/02
414/18
4,292,864 A * 10/1981 Cucchi B23B 13/04
82/126
4,638,693 A * 1/1987 Sugimoto B23B 13/08
414/14

(Continued)

Primary Examiner — Nathaniel D. Buckner
(74) *Attorney, Agent, or Firm* — Scully, Scott, Murphy &
Presser, P.C.

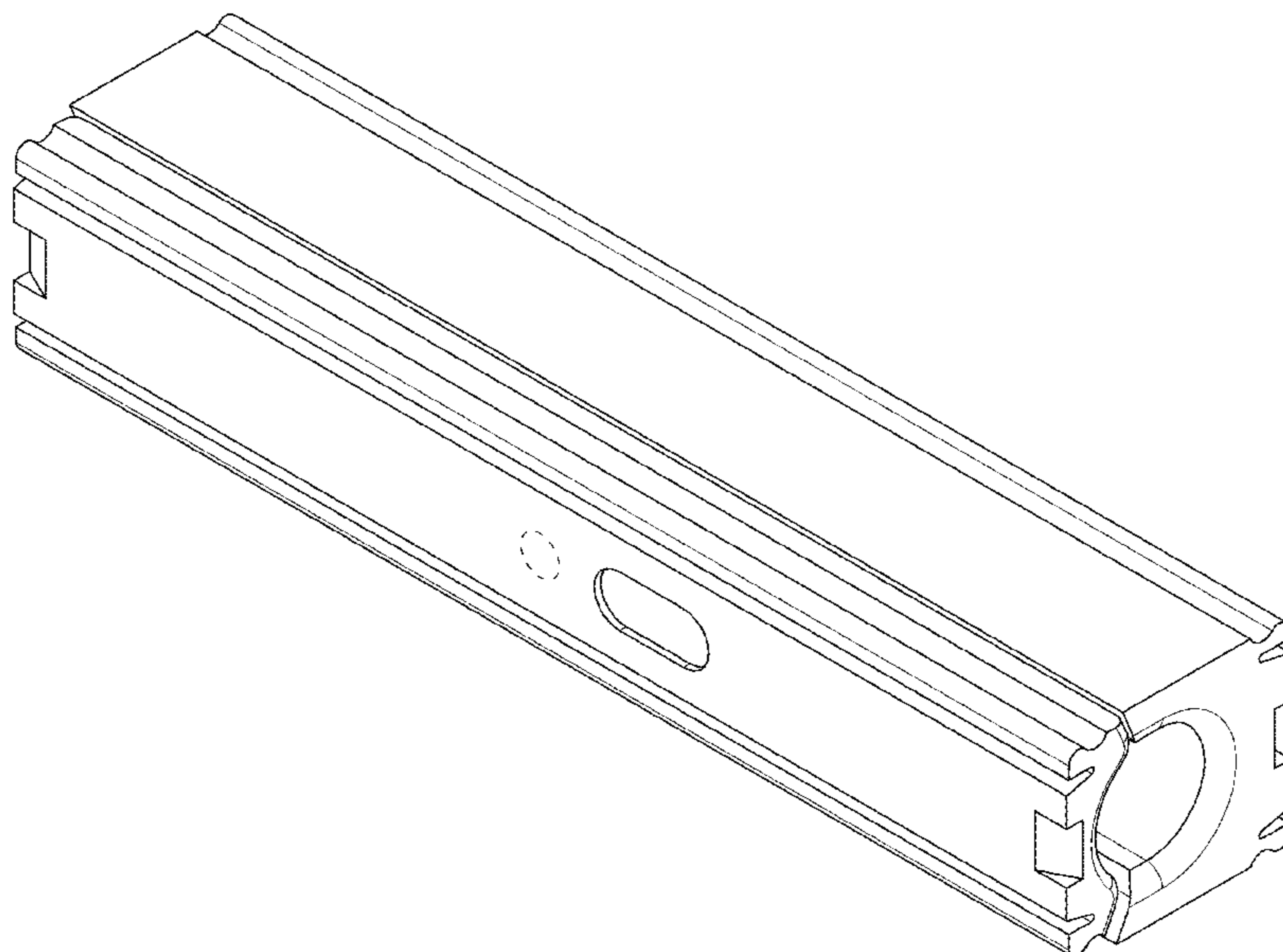
(57) **CLAIM**

The ornamental design for part of lathe, as shown and
described.

DESCRIPTION

FIG. 1 is a perspective view of a part of a lathe showing our
new design;
FIG. 2 is a front view thereof;
FIG. 3 is a rear view thereof;
FIG. 4 is a left side view thereof;
FIG. 5 is a right side view thereof;
FIG. 6 is a top view thereof; and,
FIG. 7 is a bottom view thereof.
The portions of the part of lathe shown in broken lines
shown in the figures attached hereto form no part of the
claimed design.

1 Claim, 4 Drawing Sheets



(56)

References Cited

U.S. PATENT DOCUMENTS

2003/0118434 A1* 6/2003 Drei B23B 13/02
414/745.1

* cited by examiner

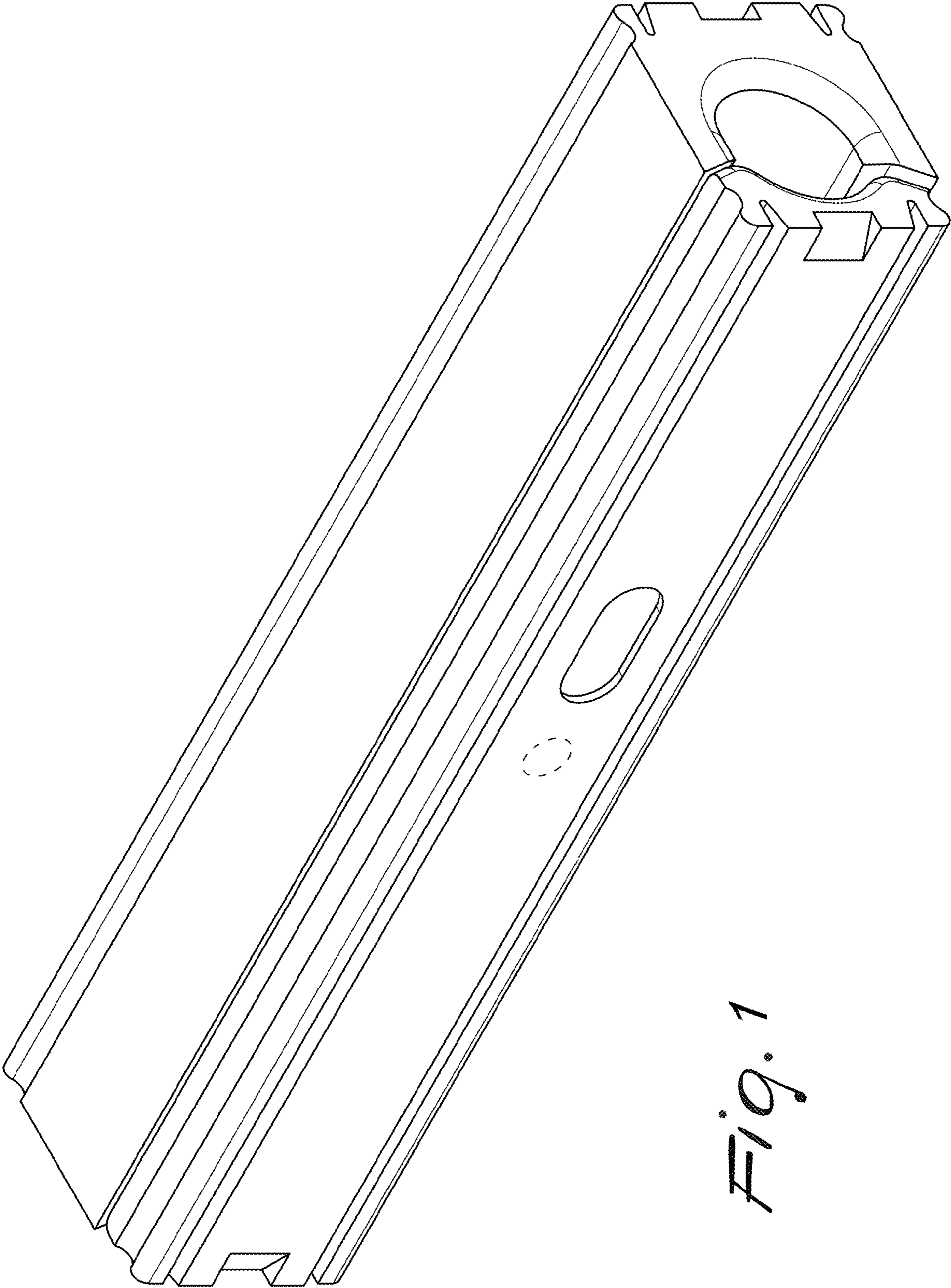


Fig. 1

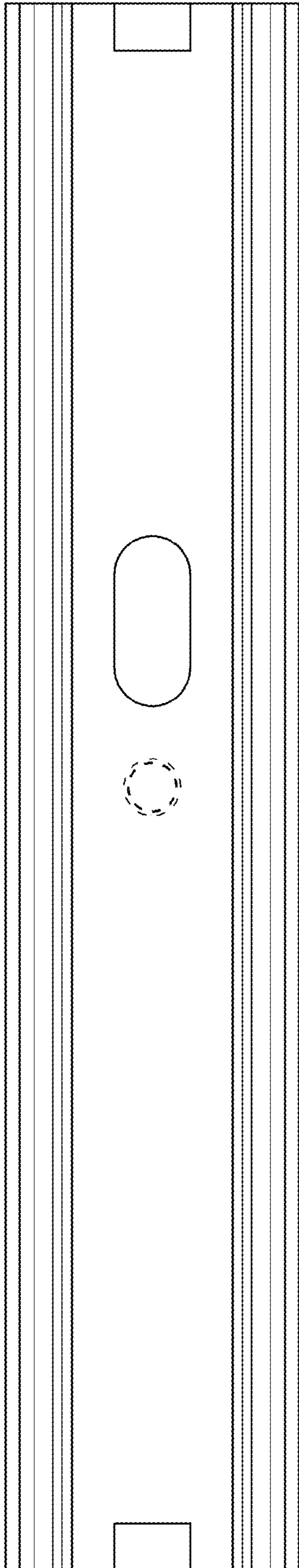


Fig. 2

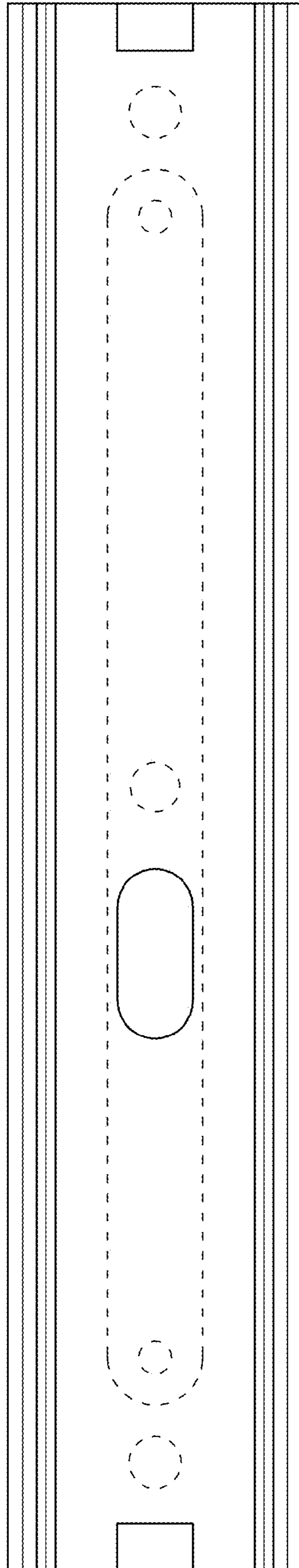


Fig. 3

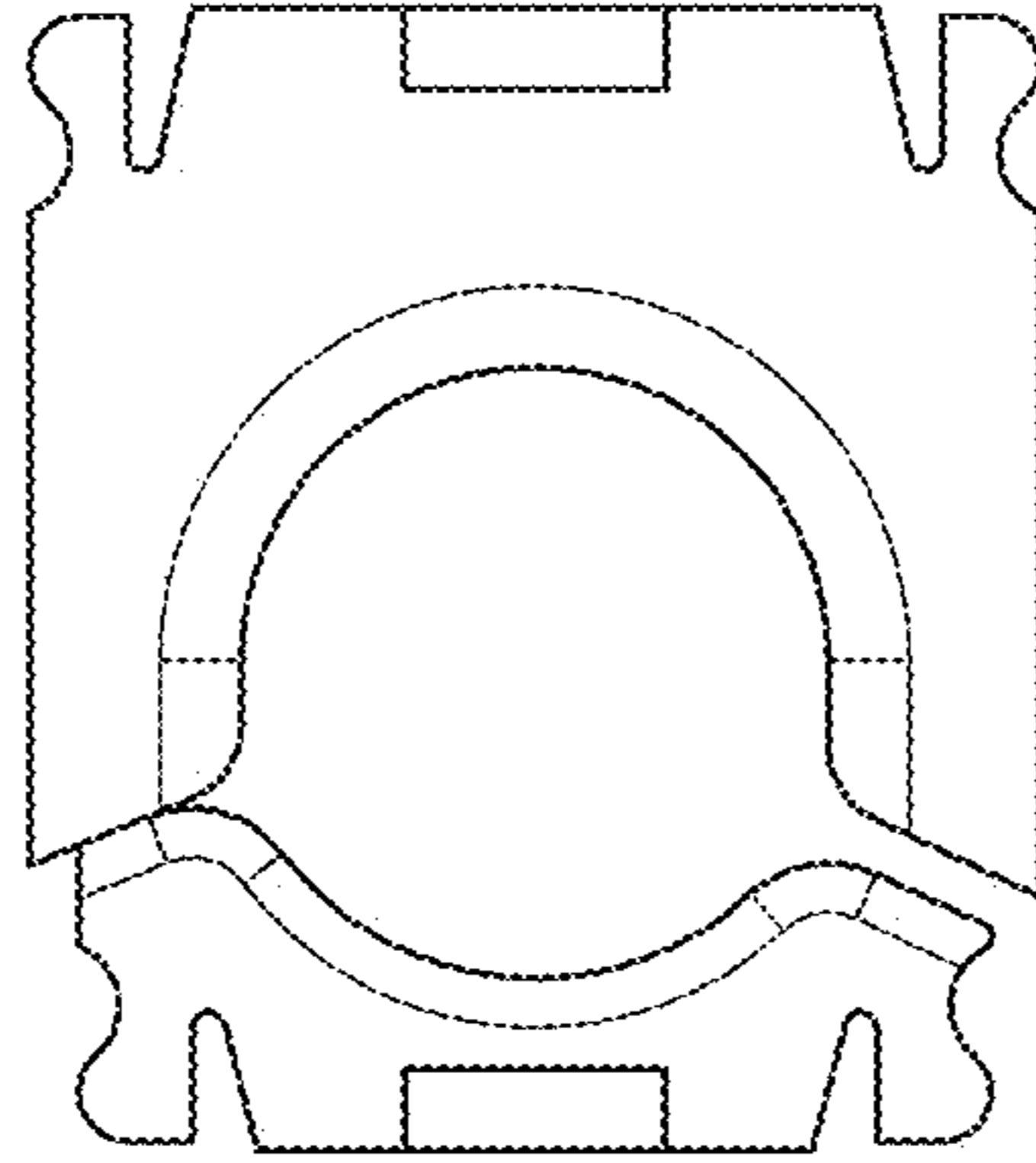


Fig. 5

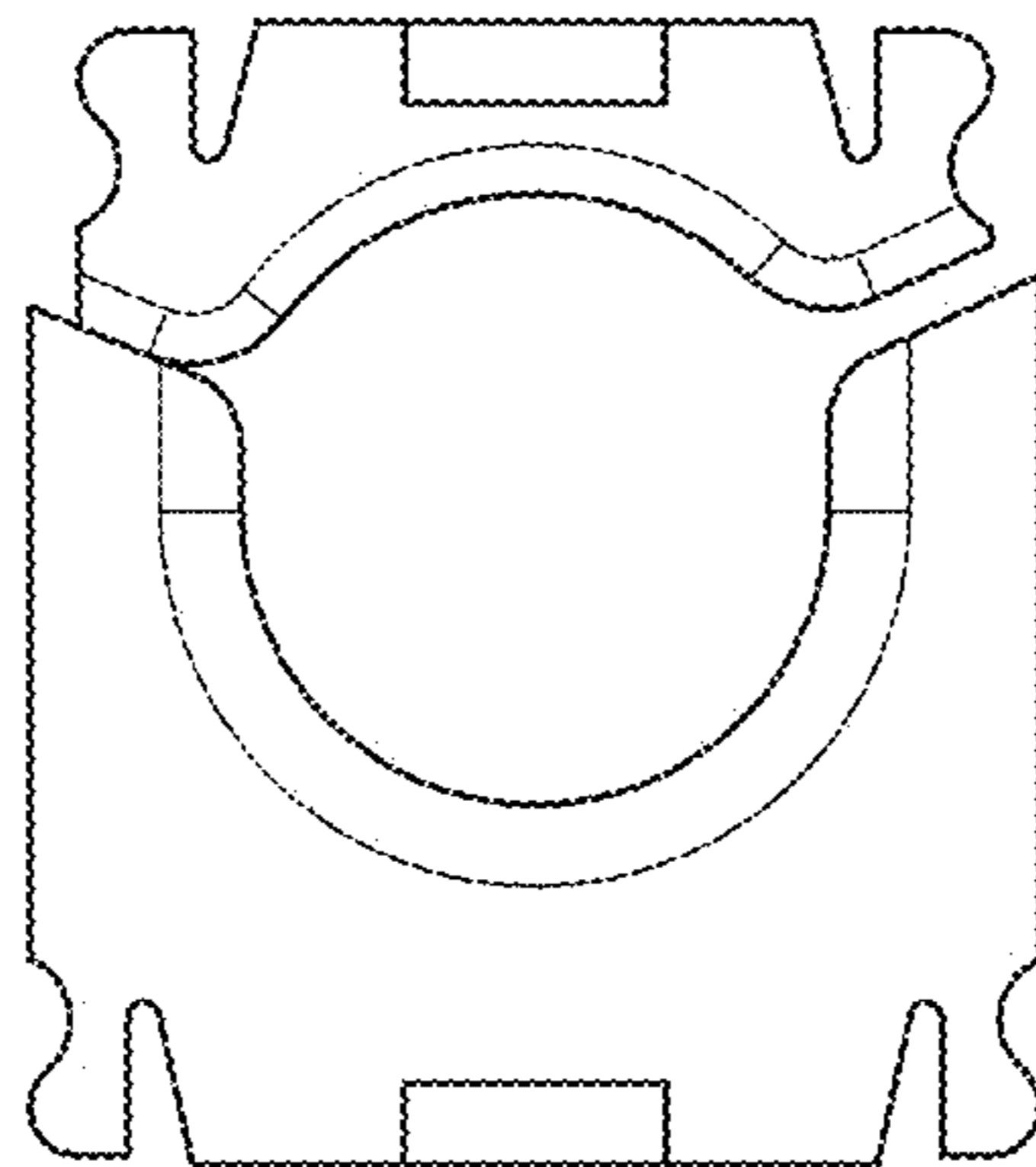


Fig. 4

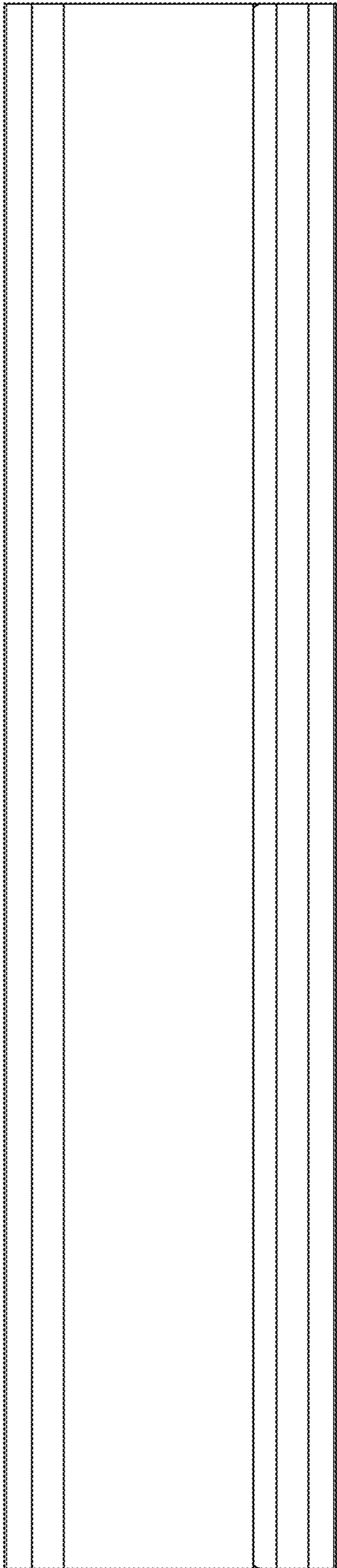


Fig. 6

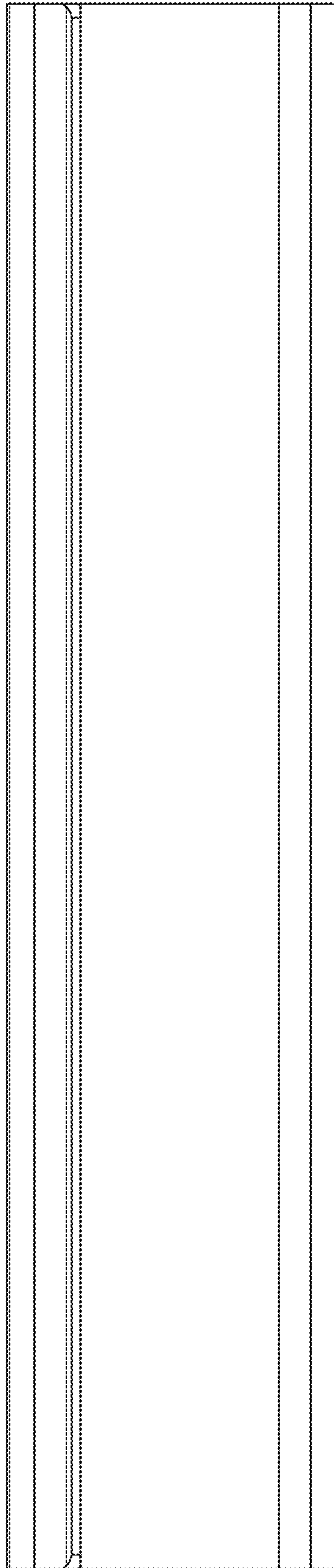


Fig. 7