



US00D884755S

(12) **United States Design Patent**
Ali et al.

(10) **Patent No.:** **US D884,755 S**

(45) **Date of Patent:** **** May 19, 2020**

- (54) **HEX DRIVER FLAP WHEEL SANDER**
- (71) Applicants: **Terry Ali**, Xenia, OH (US);
Christopher Ali, Spring Valley, OH (US); **Frank Ali**, Xenia, OH (US)
- (72) Inventors: **Terry Ali**, Xenia, OH (US);
Christopher Ali, Spring Valley, OH (US); **Frank Ali**, Xenia, OH (US)
- (73) Assignee: **Ali Industries, Inc.**, Fairborn, OH (US)
- (**) Term: **15 Years**

- 3,991,526 A * 11/1976 Frank B24D 13/08
451/490
- 4,258,509 A * 3/1981 Wray B24D 13/04
451/466
- 4,266,376 A * 5/1981 Overy B24B 23/02
15/23
- 4,461,195 A * 7/1984 Barnick B23B 51/0473
82/158
- 4,504,999 A * 3/1985 Pedrotte B24D 13/20
15/230.1
- D285,694 S * 9/1986 Olovsson D15/126
- D285,930 S * 9/1986 Olovsson D15/126
- 4,624,876 A * 11/1986 Nevin A61C 3/06
15/180
- 4,882,880 A * 11/1989 Schaffner, II B24D 13/04
451/490

(21) Appl. No.: **29/702,077**

(Continued)

(22) Filed: **Aug. 16, 2019**

OTHER PUBLICATIONS

(51) **LOC (12) Cl.** **15-09**

www.amazon.com/Katzco-Pieces-Inch-FlapWheels/dp/B01H299POI/ref=cm_cr_arp_d_product_top?ie=UTF8 Dec. 6, 2016 (Year: 2016).*

(52) **U.S. Cl.**
USPC **D15/126**

(58) **Field of Classification Search**
USPC D8/20, 70, 71; D15/126, 138, 139
CPC B24B 21/18; B24B 23/06
See application file for complete search history.

Primary Examiner — Patricia A Palasik
(74) *Attorney, Agent, or Firm* — R. William Graham

(57) **CLAIM**

The ornamental design for a hex driver flap wheel sander, as shown and described.

(56) **References Cited**

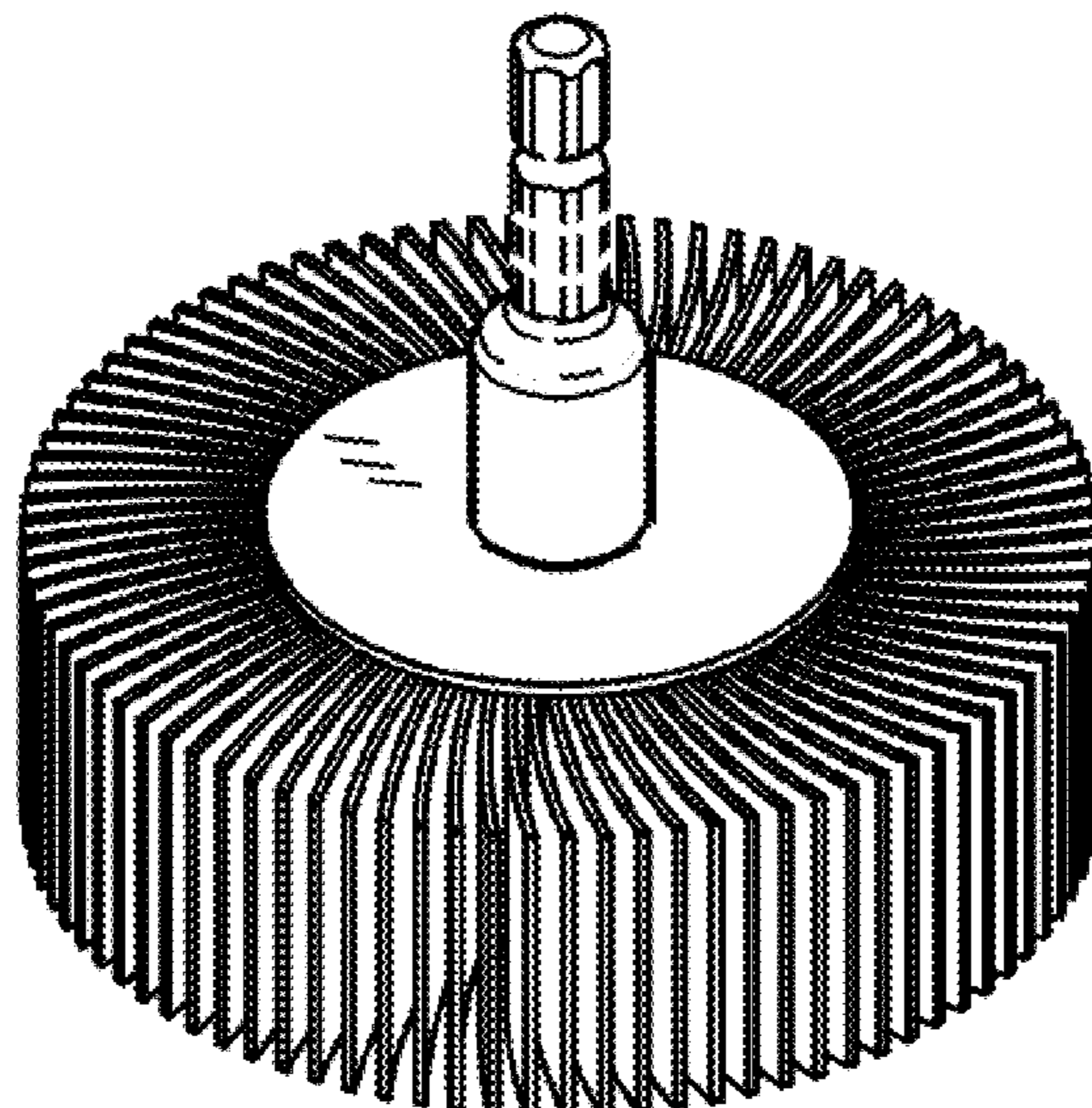
DESCRIPTION

U.S. PATENT DOCUMENTS

- 1,714,137 A * 5/1929 Radinse A46B 13/003
15/181
- 2,027,863 A * 1/1936 Hall B24D 13/18
15/230.1
- 3,251,085 A * 5/1966 Jacobs A47L 23/06
15/23
- 3,305,888 A * 2/1967 Soderberg A61C 3/06
15/179
- 3,548,435 A * 12/1970 Comber A01K 43/005
15/3.17
- 3,727,353 A * 4/1973 Pixley B24D 13/08
451/508
- 3,839,763 A * 10/1974 Gould A46B 13/003
15/181

FIG. 1 is a perspective view of a hex driver flap wheel sander showing our new design;
FIG. 2 is a front view of a hex driver flap wheel sander showing our new design;
FIG. 3 is a side view of a hex driver flap wheel sander showing our new design; and,
FIG. 4 is a back side elevation view of a hex driver flap wheel sander showing our new design.
The broken lines in the drawings depict portions of the hex driver flap wheel which form no part of the claimed design.

1 Claim, 1 Drawing Sheet



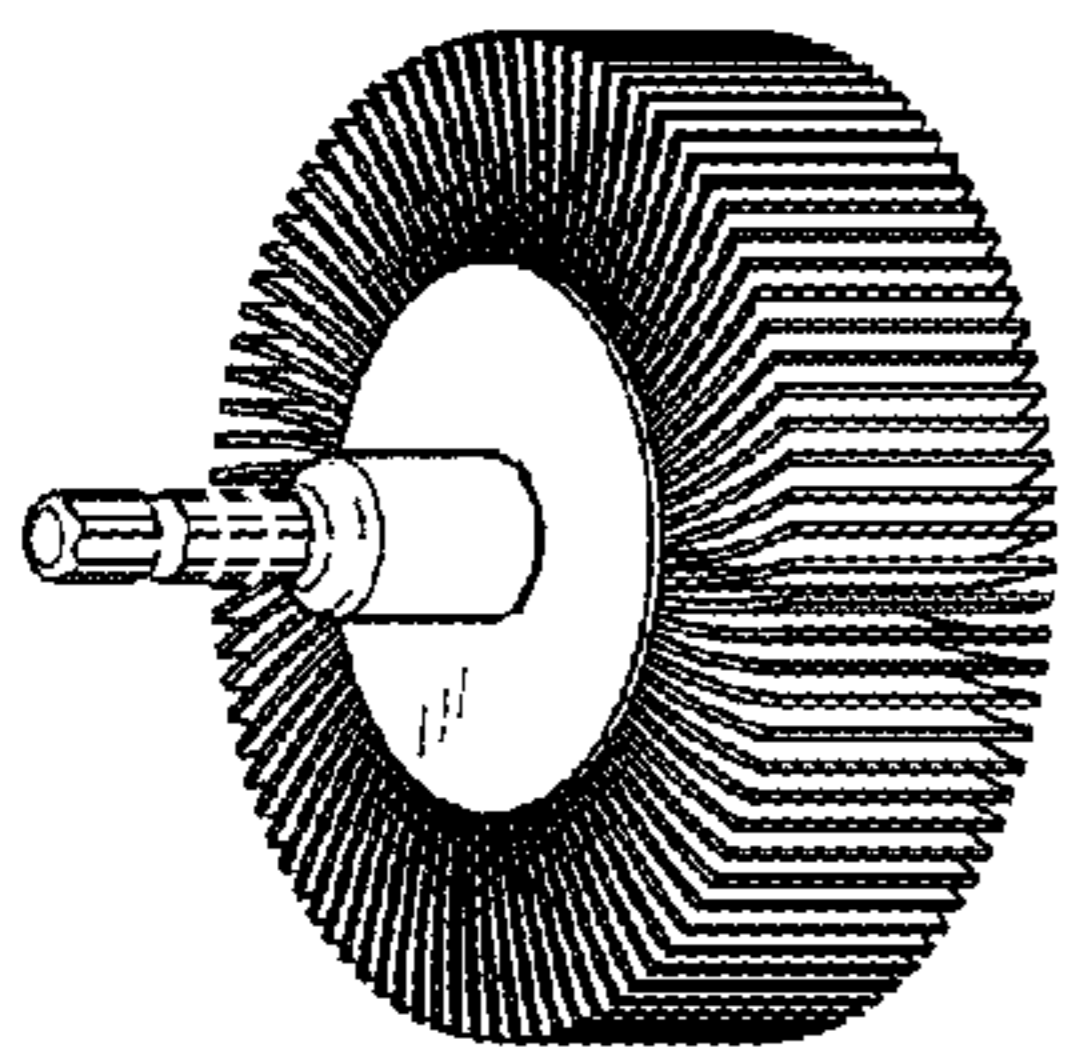


FIG. 1

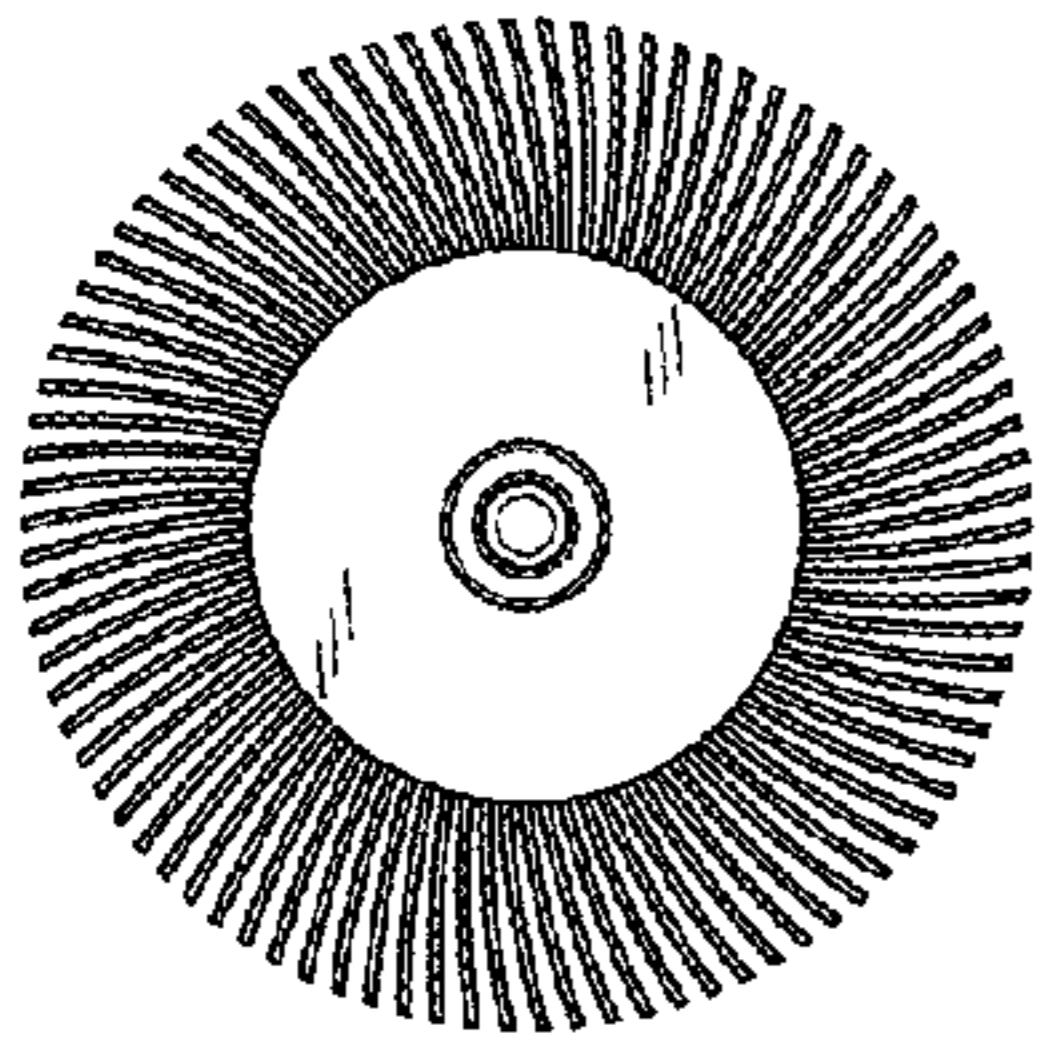


FIG. 2

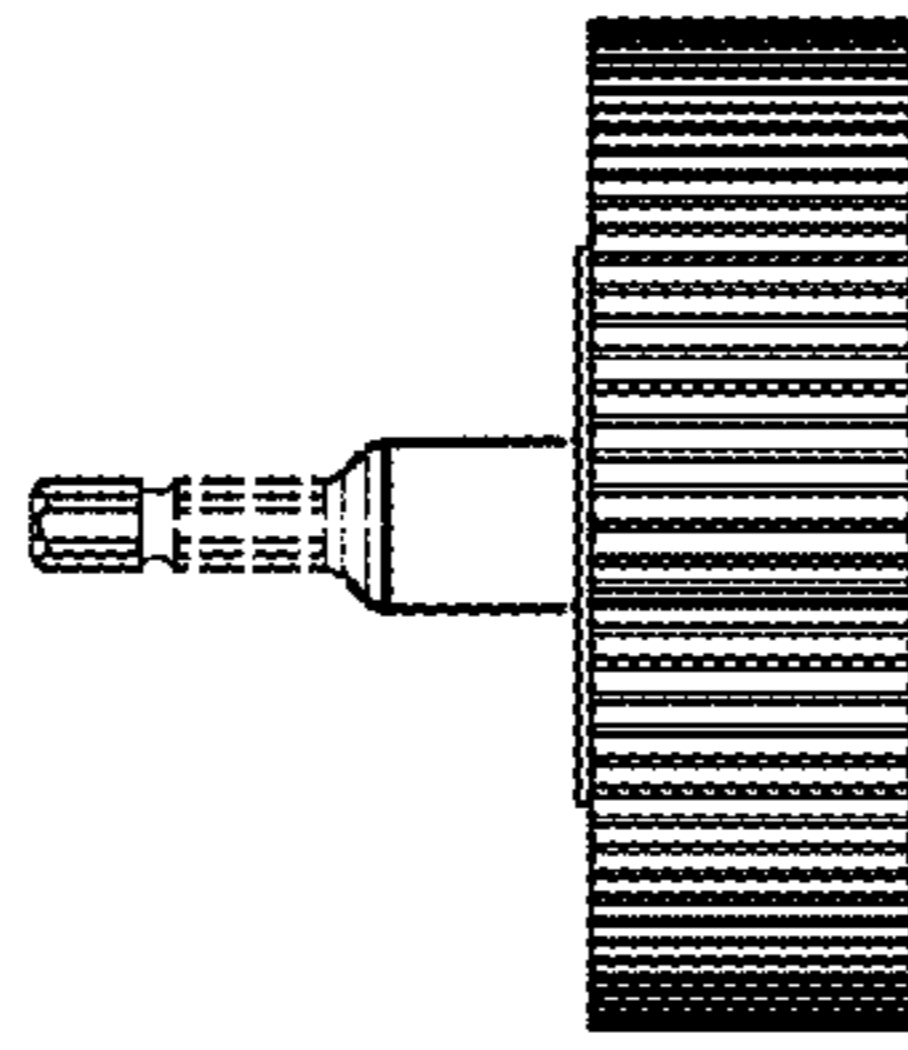


FIG. 3

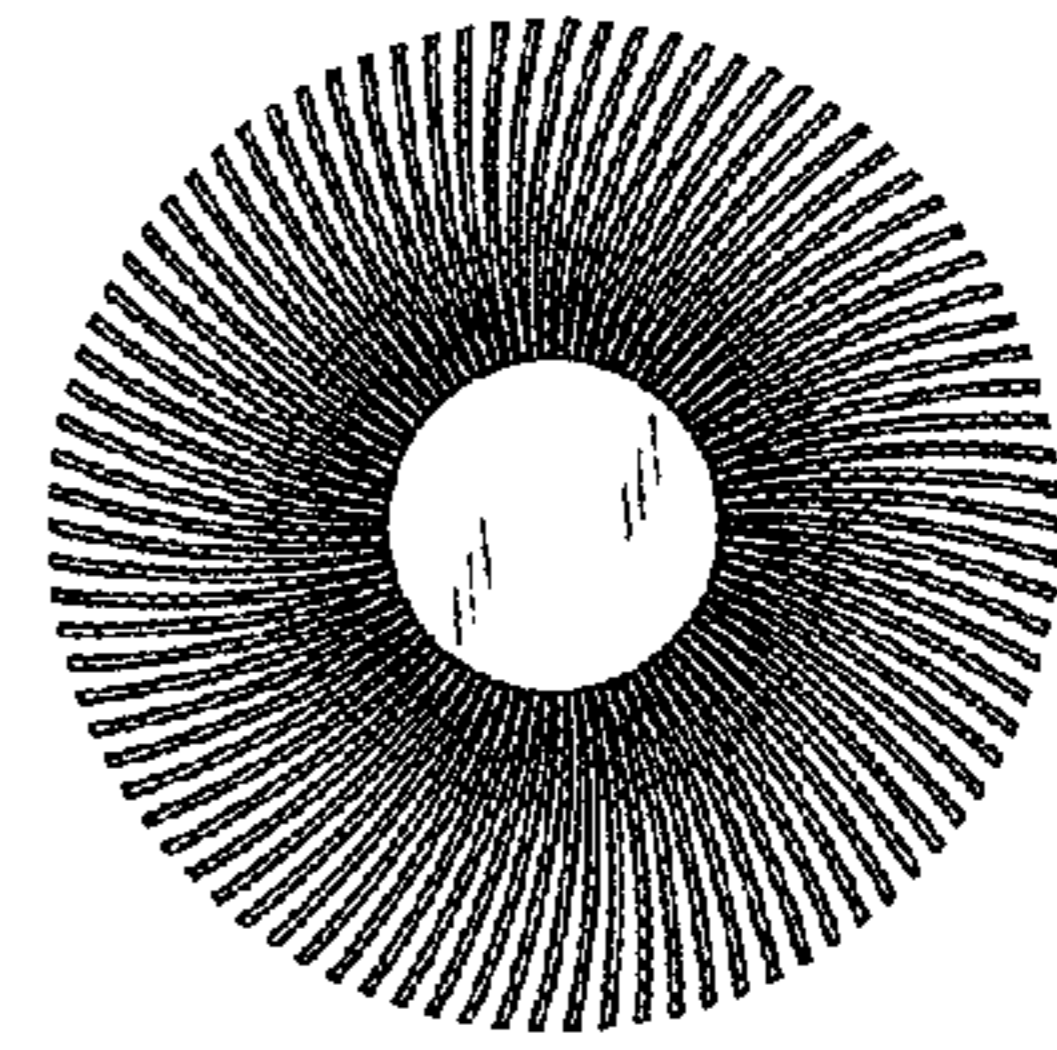


FIG. 4