



US00D884754S

(12) **United States Design Patent**
André

(10) **Patent No.:** **US D884,754 S**
(45) **Date of Patent:** **** May 19, 2020**

(54) **MACHINE TOOL FOR DRILLING DEEP HOLES**

(71) Applicant: **CHETOCORPORATION, S.A.**,
Oliveira de Azemeis (PT)

(72) Inventor: **Sérgio David Tavares André**, Vale de
Cambra (PT)

(**) Term: **15 Years**

(21) Appl. No.: **35/506,546**

(22) Filed: **Oct. 4, 2018**

(80) **Hague Agreement Data**

Int. Filing Date: **Oct. 4, 2018**

Int. Reg. No.: **DM/103163**

Int. Reg. Date: **Oct. 4, 2018**

Int. Reg. Pub. Date: **Apr. 5, 2019**

(51) **LOC (12) Cl.** **05-05**

(52) **U.S. Cl.**

USPC **D15/122**

CPC **E21B 7/024 (2013.01)**

(58) **Field of Classification Search**

USPC D15/21, 22, 132, 199; 173/25, 27, 28,
173/189, 9.5, 9.52, 152.4, 152.46

CPC . E21B 7/024; E21B 7/022; E21B 7/02; E21B
7/023; B60G 17/005; B60G 2300/09;
B60G 2300/32; B60G 2300/40; B62D
55/116; B62D 55/104

See application file for complete search history.

(56) **References Cited**

U.S. PATENT DOCUMENTS

D266,520 S * 10/1982 Engel D15/122
4,443,929 A * 4/1984 Bayer B23Q 3/15713
483/32

D277,679 S * 2/1985 Kitamura D15/122
4,651,404 A * 3/1987 Shorrock B23Q 11/005
29/563

4,704,773 A * 11/1987 Quinart B23B 3/06
29/27 C
D302,163 S * 7/1989 Itoh D15/122
5,175,408 A * 12/1992 Takashima B23H 7/36
219/69.14
5,273,124 A * 12/1993 Lloyd E21B 3/02
173/185
D379,998 S * 6/1997 Marinkovic D15/124
D388,103 S * 12/1997 Gotou D15/122
5,782,151 A * 7/1998 Shiramasa B23Q 5/40
409/134
5,871,426 A * 2/1999 Araki B23Q 3/15526
483/44
D428,025 S * 7/2000 Miyake D15/127
D438,548 S * 3/2001 Inada D15/127
D489,077 S * 4/2004 Bloch D15/122
D495,723 S * 9/2004 Kawamura D15/127
7,013,544 B2 * 3/2006 Yasuda B23Q 7/1431
29/27 C
7,226,403 B2 * 6/2007 Konvicka B23Q 1/012
198/346.1
D548,754 S * 8/2007 Itabashi D15/122
D548,755 S * 8/2007 Takeshima D15/122
D551,268 S * 9/2007 Iwamoto D15/127
D559,871 S * 1/2008 Kittaka D15/122
D567,263 S * 4/2008 Sugihara D15/122
D578,144 S * 10/2008 Arisue D15/122
D637,631 S * 5/2011 Hiroshima D15/122

(Continued)

Primary Examiner — Richard E Chilcot

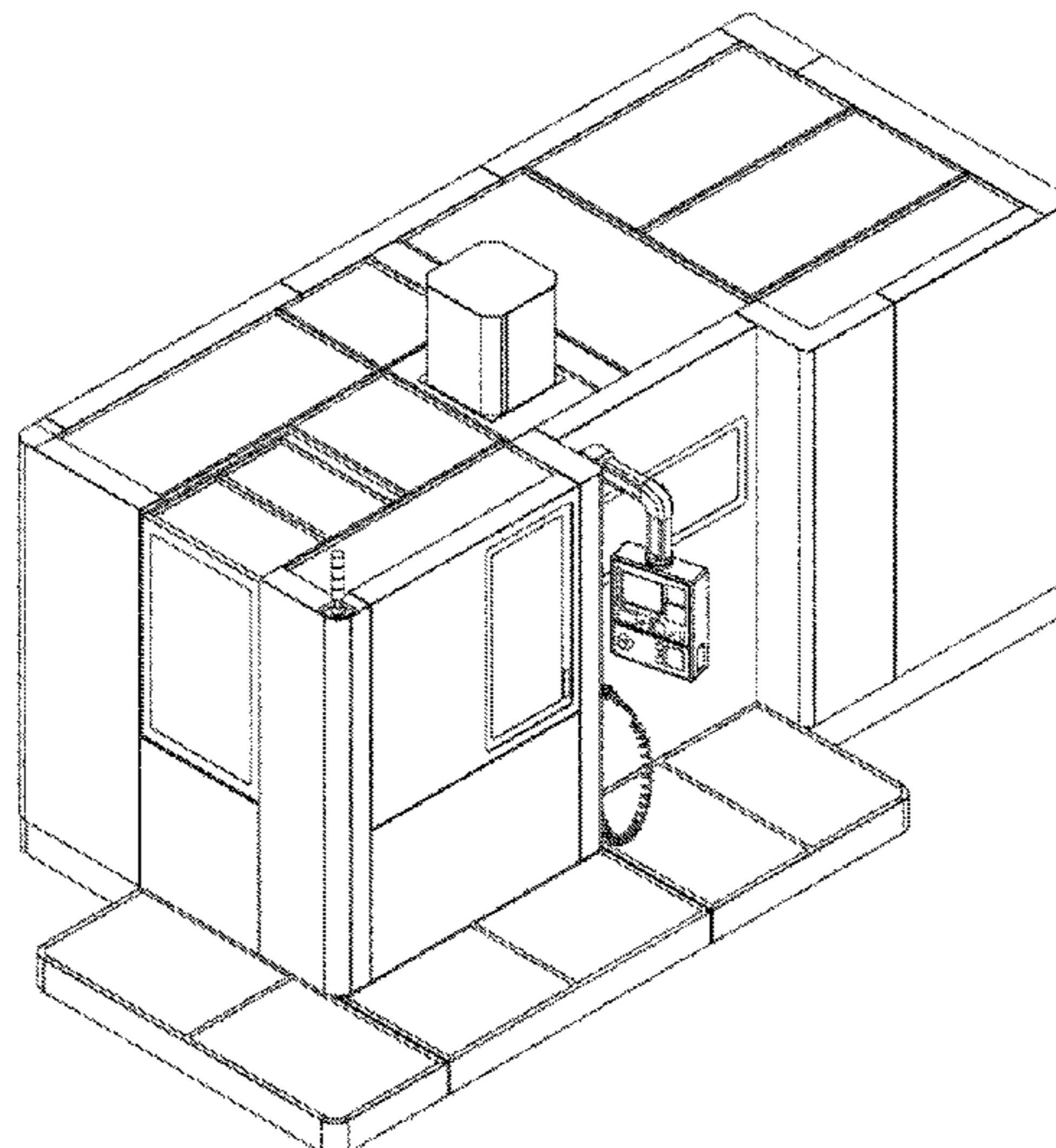
(57) **CLAIM**

The ornamental design for a machine tool for drilling deep holes, as shown and described.

DESCRIPTION

- 1. Machine tool for drilling deep holes
- 1.1 : Perspective
- 1.2 : Left
- 1.3 : Right
- 1.4 : Front
- 1.5 : Back
- 1.6 : Top
- 1.7 : Bottom

1 Claim, 7 Drawing Sheets



(56)

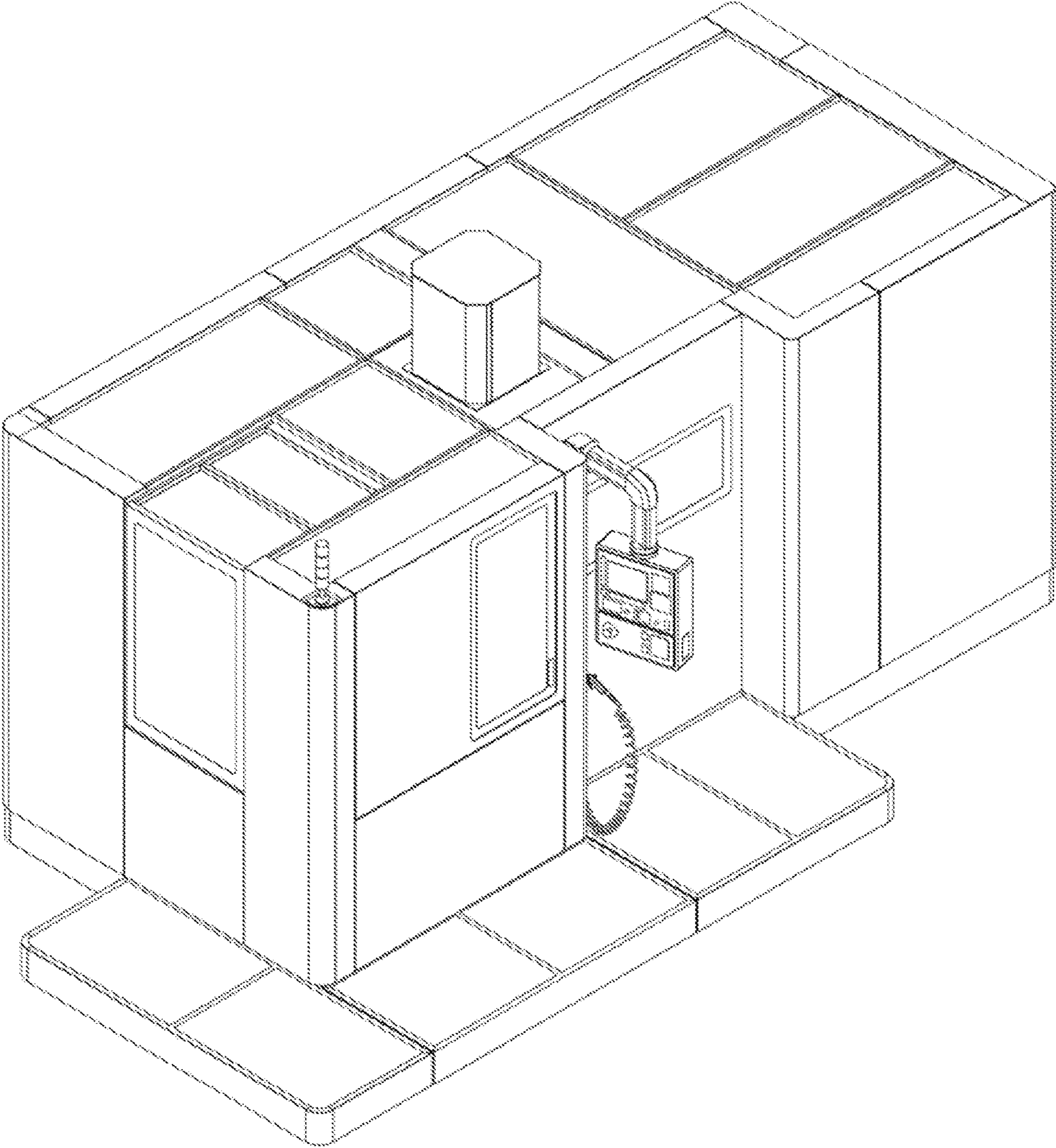
References Cited

U.S. PATENT DOCUMENTS

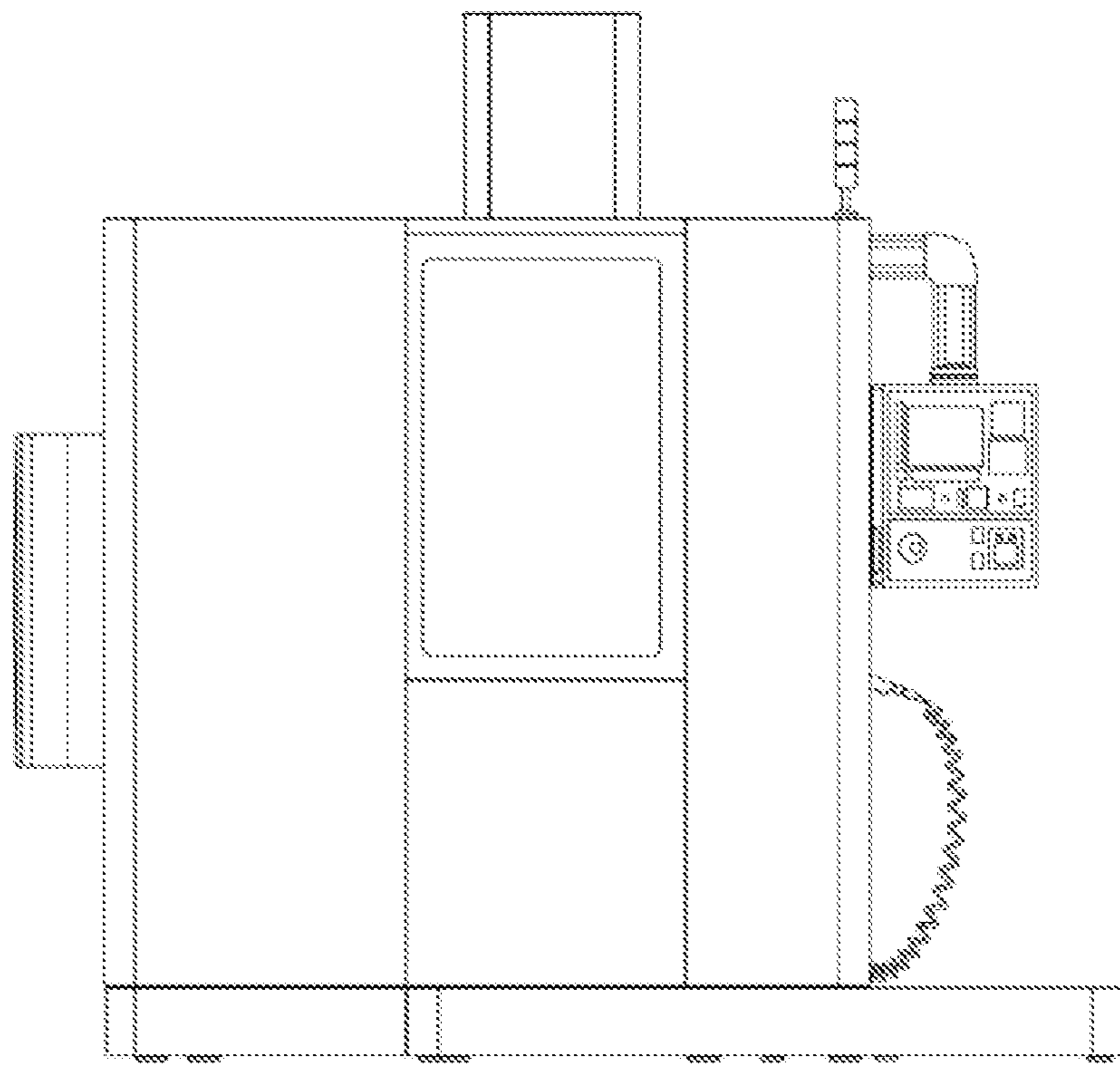
D649,174	S	*	11/2011	Schindler	D15/127
D649,567	S	*	11/2011	Schindler	D15/127
D667,032	S	*	9/2012	Egami	D15/122
D668,277	S	*	10/2012	Miyake	D15/127
D668,278	S	*	10/2012	Miyake	D15/127
D669,104	S	*	10/2012	Michl	D15/122
D671,969	S	*	12/2012	Yang	D15/122
D676,881	S	*	2/2013	Mueller	D15/122
D676,882	S	*	2/2013	Mueller	D15/122
D680,563	S	*	4/2013	Yang	D15/122
D690,330	S	*	9/2013	Tsuchiyama	D15/122
D690,331	S	*	9/2013	Kitamura	D15/122
D691,645	S	*	10/2013	Klien	D15/122
D692,936	S	*	11/2013	Thoma	D15/127
D692,937	S	*	11/2013	Thoma	D15/127
D693,380	S	*	11/2013	Mueller	D15/122
D693,859	S	*	11/2013	Kitamura	D15/122
D694,787	S	*	12/2013	Mueller	D15/122
D696,315	S	*	12/2013	Schmid	D15/122
D701,250	S	*	3/2014	Thoma	D15/127
D701,251	S	*	3/2014	Thoma	D15/127
D701,252	S	*	3/2014	Thoma	D15/127
D701,253	S	*	3/2014	Thoma	D15/127
D707,289	S	*	6/2014	Thoma	D18/34.8
D716,857	S	*	11/2014	Shimano	D15/122
D726,789	S	*	4/2015	Schmid	D15/122
D734,787	S	*	7/2015	Schönherr	D15/122
D759,133	S	*	6/2016	Kitamura	D15/122
D759,736	S	*	6/2016	Huang	D15/122
D759,738	S	*	6/2016	Schönherr	D15/122
D778,329	S	*	2/2017	Grobe	D15/122
D780,812	S	*	3/2017	Niemczyk	D15/21
D783,694	S	*	4/2017	Yauchi	D15/122
D797,822	S	*	9/2017	Grobe	D15/122
D808,447	S	*	1/2018	Grobe	D15/122

* cited by examiner

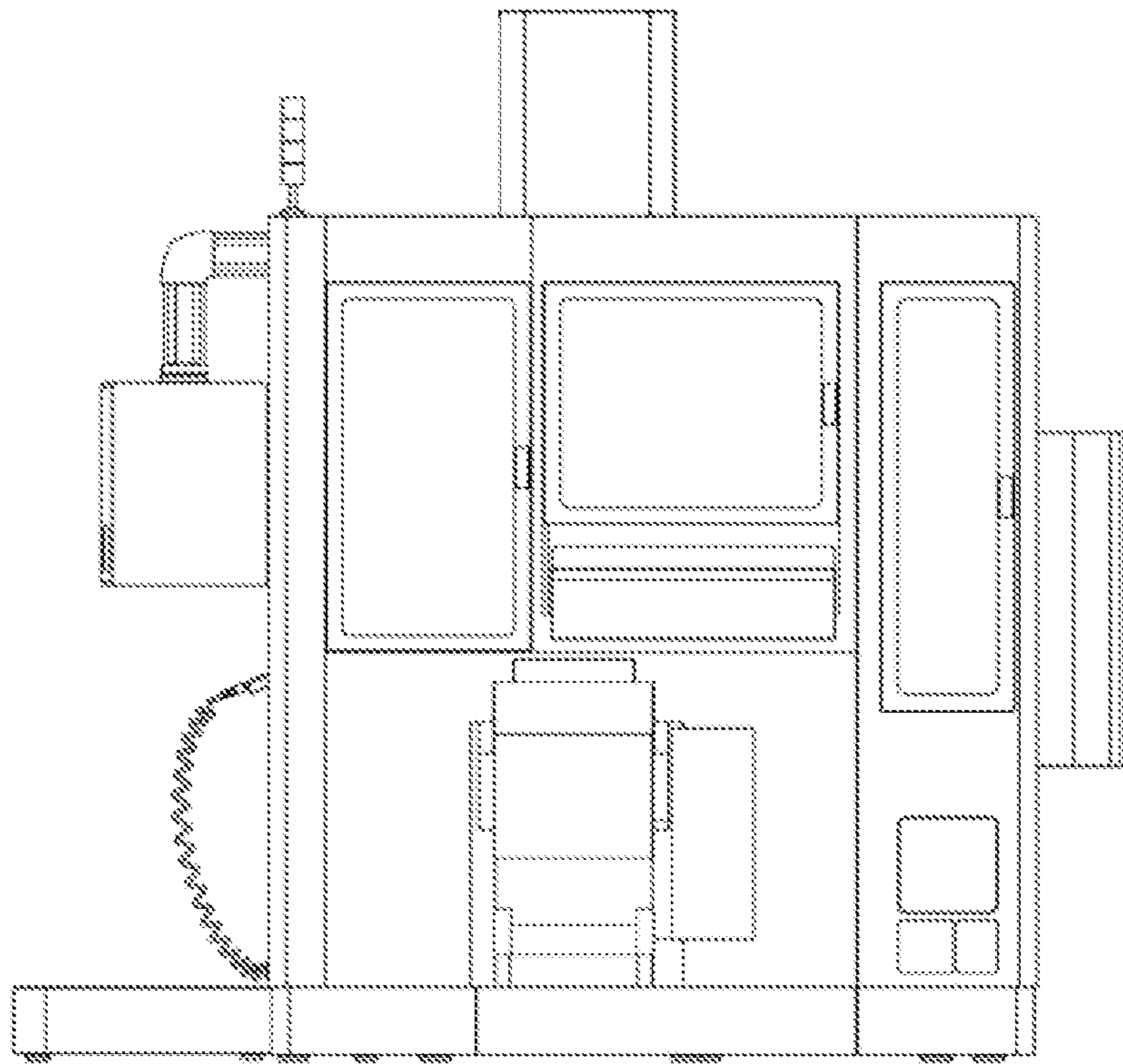
1.1



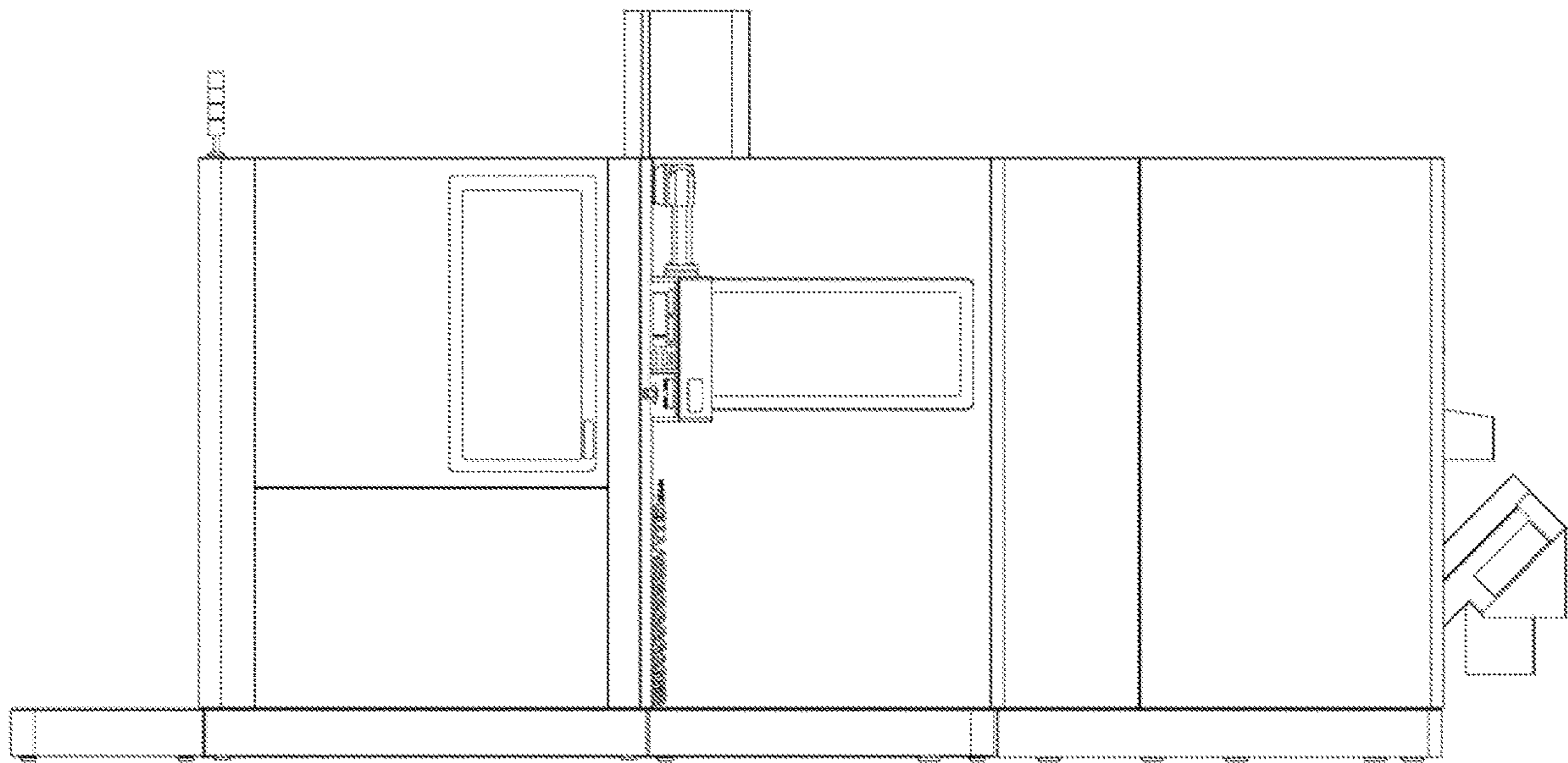
1.2



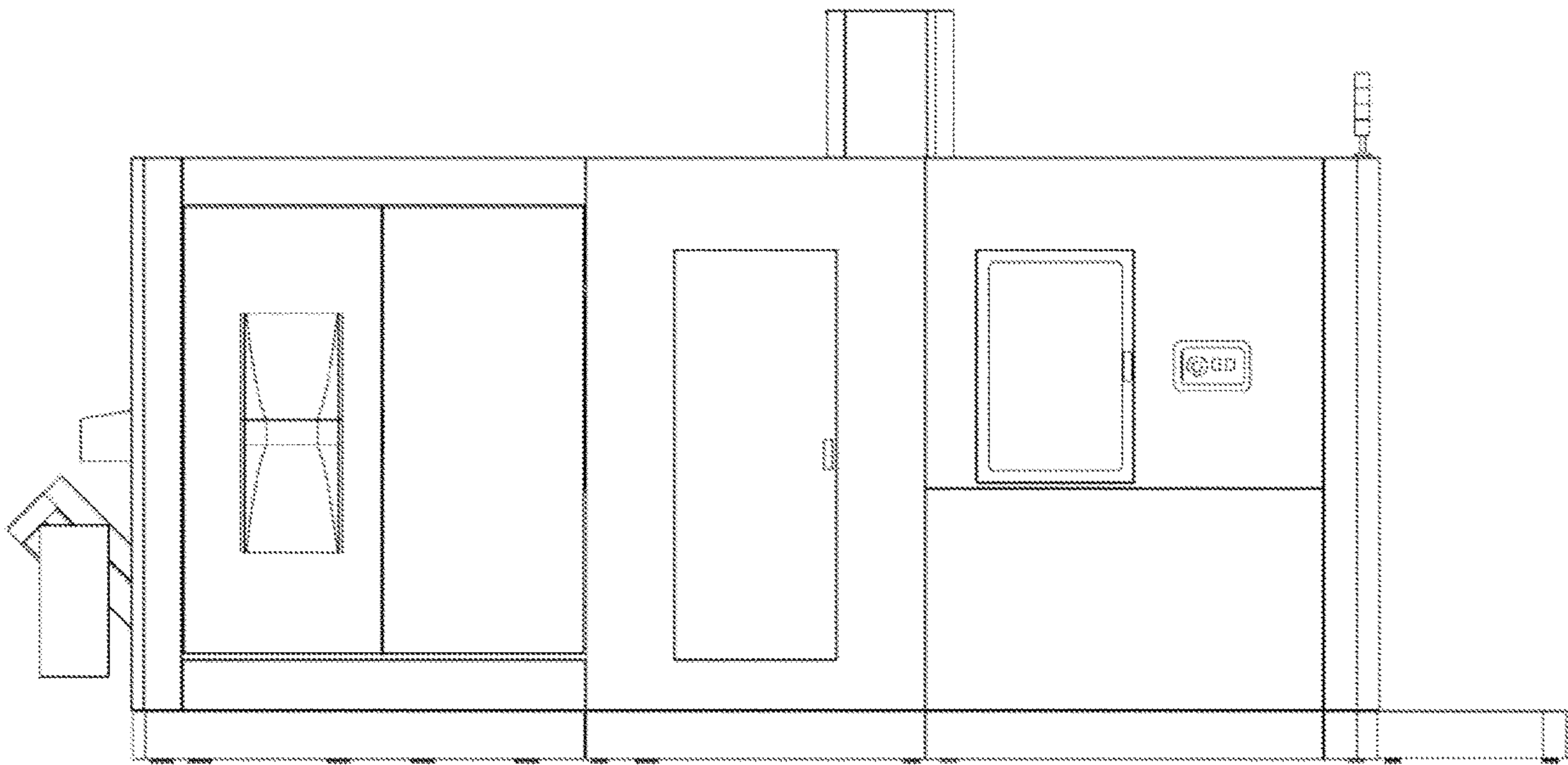
1.3



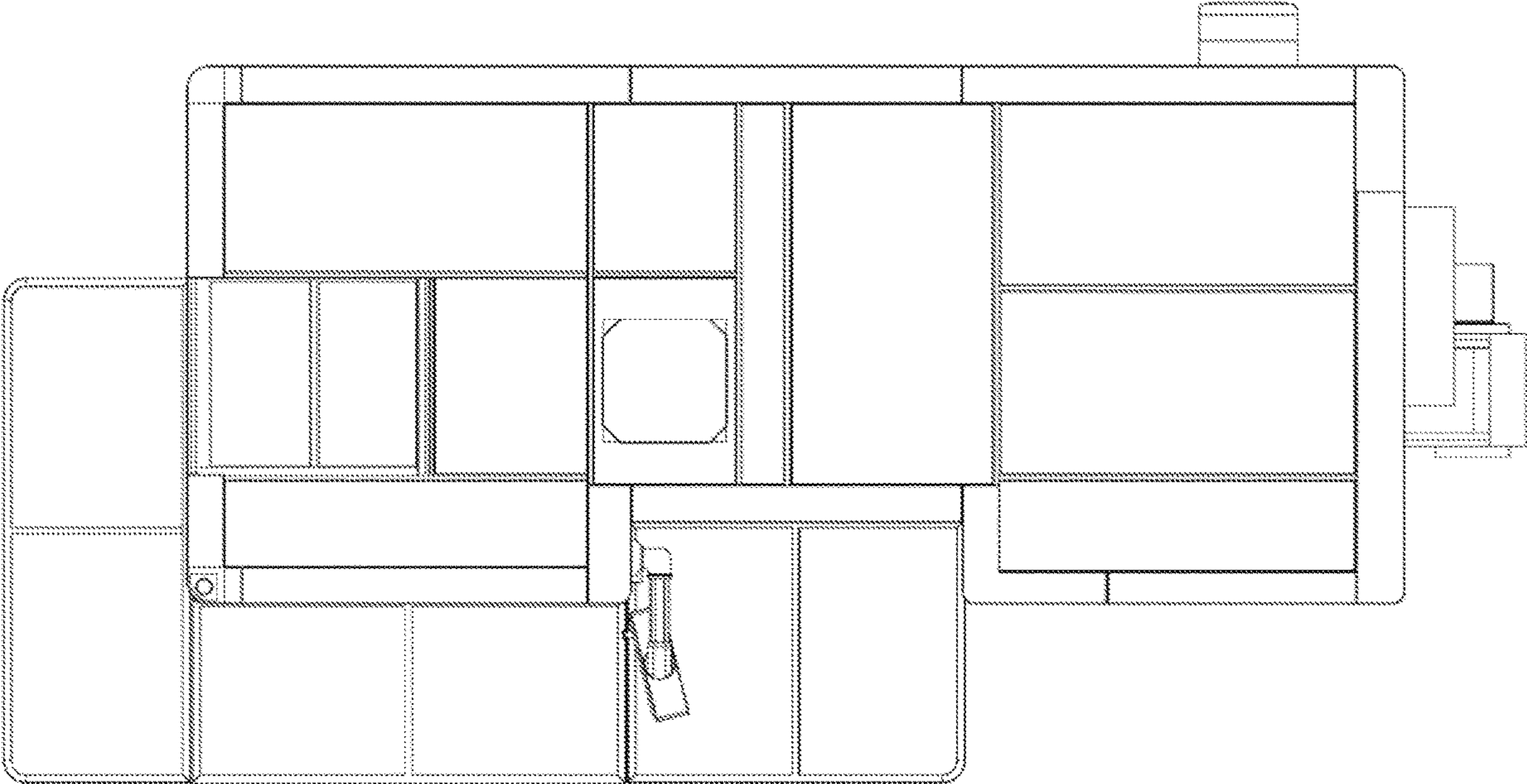
1.4



1.5



1.6



1.7

