



US00D884752S

(12) **United States Design Patent** (10) **Patent No.:** **US D884,752 S**
Stein (45) **Date of Patent:** **** May 19, 2020**

- (54) **FILTER KEY DEVICE**
- (71) Applicant: **Ningbo Yinzhou Bi Chun Water Purification Technology Limited Company, Ningbo (CN)**
- (72) Inventor: **Matthew Stein, Truckee, CA (US)**
- (73) Assignee: **NINGBO YINZHOU BI CHUN WATER PURIFICATION TECHNOLOGY LIMITED COMPANY, Zhejiang (CN)**
- (**) Term: **15 Years**
- (21) Appl. No.: **29/668,772**
- (22) Filed: **Nov. 1, 2018**
- (51) **LOC (12) Cl.** **15-07**
- (52) **U.S. Cl.**
USPC **D15/89**
- (58) **Field of Classification Search**
USPC D15/79-91; D23/207, 209
CPC . F25B 2339/04; F25B 2339/044; F25B 39/04
See application file for complete search history.

- D749,654 S * 2/2016 Lee F25D 23/04
D15/89
- D752,179 S * 3/2016 Lu D23/209
- D756,423 S * 5/2016 Tres D15/89
- D780,886 S * 3/2017 Kim D23/209
- 9,901,852 B2 2/2018 Huda et al.
- D831,785 S * 10/2018 Atwell D23/209

* cited by examiner

Primary Examiner — Khawaja Anwar
(74) *Attorney, Agent, or Firm* — Fish IP Law, LLP

(57) **CLAIM**

The ornamental design of a filter key device, as shown and described.

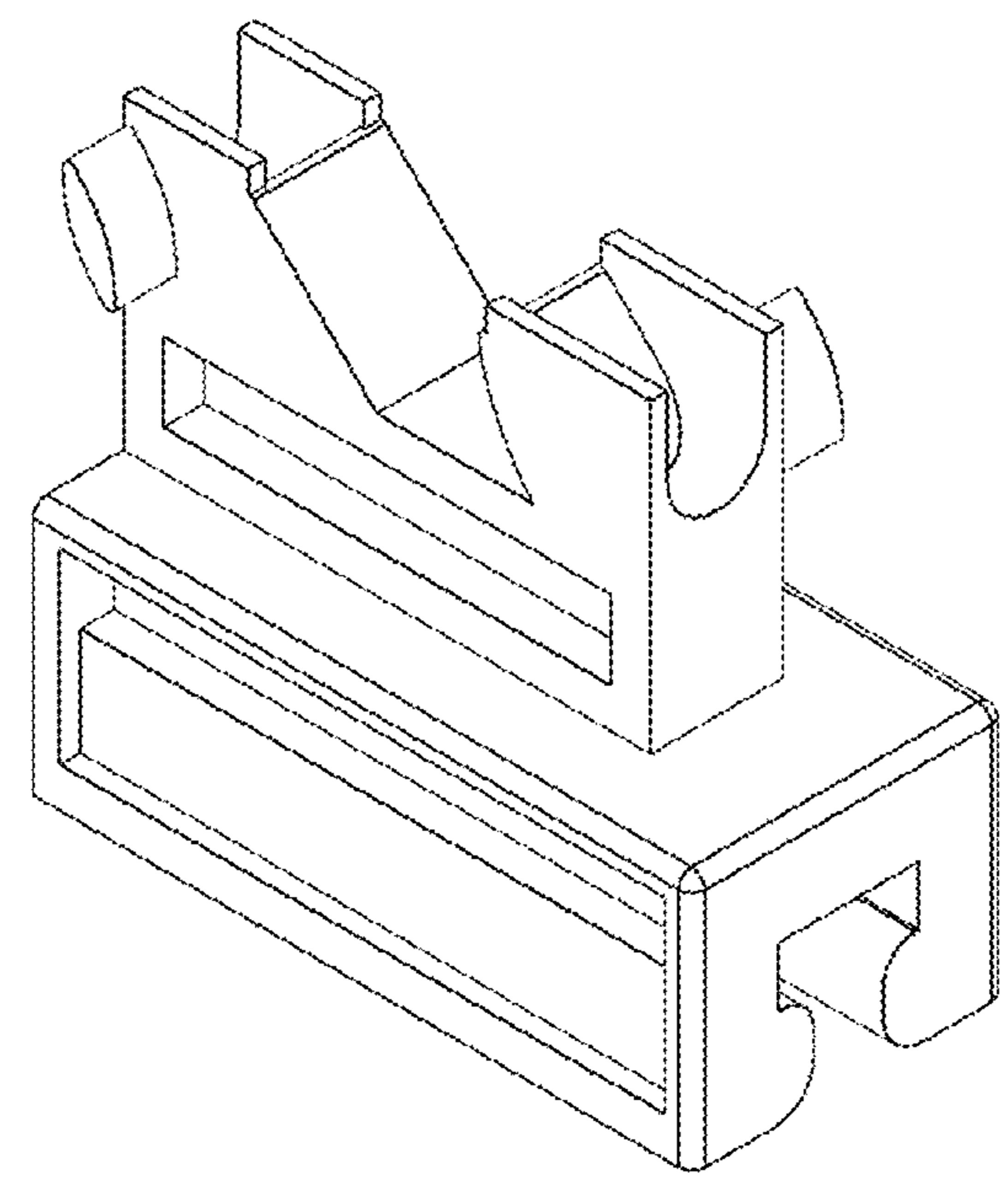
DESCRIPTION

FIG. 1 is a top, front, right side perspective view of a filter key device showing my new design;
 FIG. 2 is a front elevation view thereof;
 FIG. 3 is a rear elevation view thereof;
 FIG. 4 is a left side elevation view thereof;
 FIG. 5 is a right side elevation view thereof;
 FIG. 6 is a top, back, right side perspective view thereof;
 FIG. 7 is a top, back, left side perspective view thereof;
 FIG. 8 is a top, front, left side perspective view thereof;
 FIG. 9 is a bottom, back, left side perspective view thereof;
 FIG. 10 is a bottom, back, right side perspective view thereof;
 FIG. 11 is a bottom, front, left side perspective view thereof;
 and,
 FIG. 12 is a bottom, front, right side perspective view thereof.

The broken line showing of various features of the filter key device form no part of the claimed design.
 The broken line showing of various features of the filter key device form no part of the claimed design.

- (56) **References Cited**
- U.S. PATENT DOCUMENTS
- D496,056 S * 9/2004 Floeter, Jr. D15/89
 - D527,749 S * 9/2006 Eveland F25D 23/04
D15/89
 - D528,136 S * 9/2006 Brockington D15/89
 - D645,935 S * 9/2011 Kulikov D23/209
 - 8,137,551 B1 3/2012 Huda et al.
 - D663,379 S * 7/2012 Muller D23/209
 - 8,673,146 B2 3/2014 Huda et al.
 - D719,589 S * 12/2014 Park D15/89
 - D748,167 S * 1/2016 Lee F25D 25/025
D15/89
 - 9,233,322 B1 1/2016 Huda et al.

1 Claim, 12 Drawing Sheets



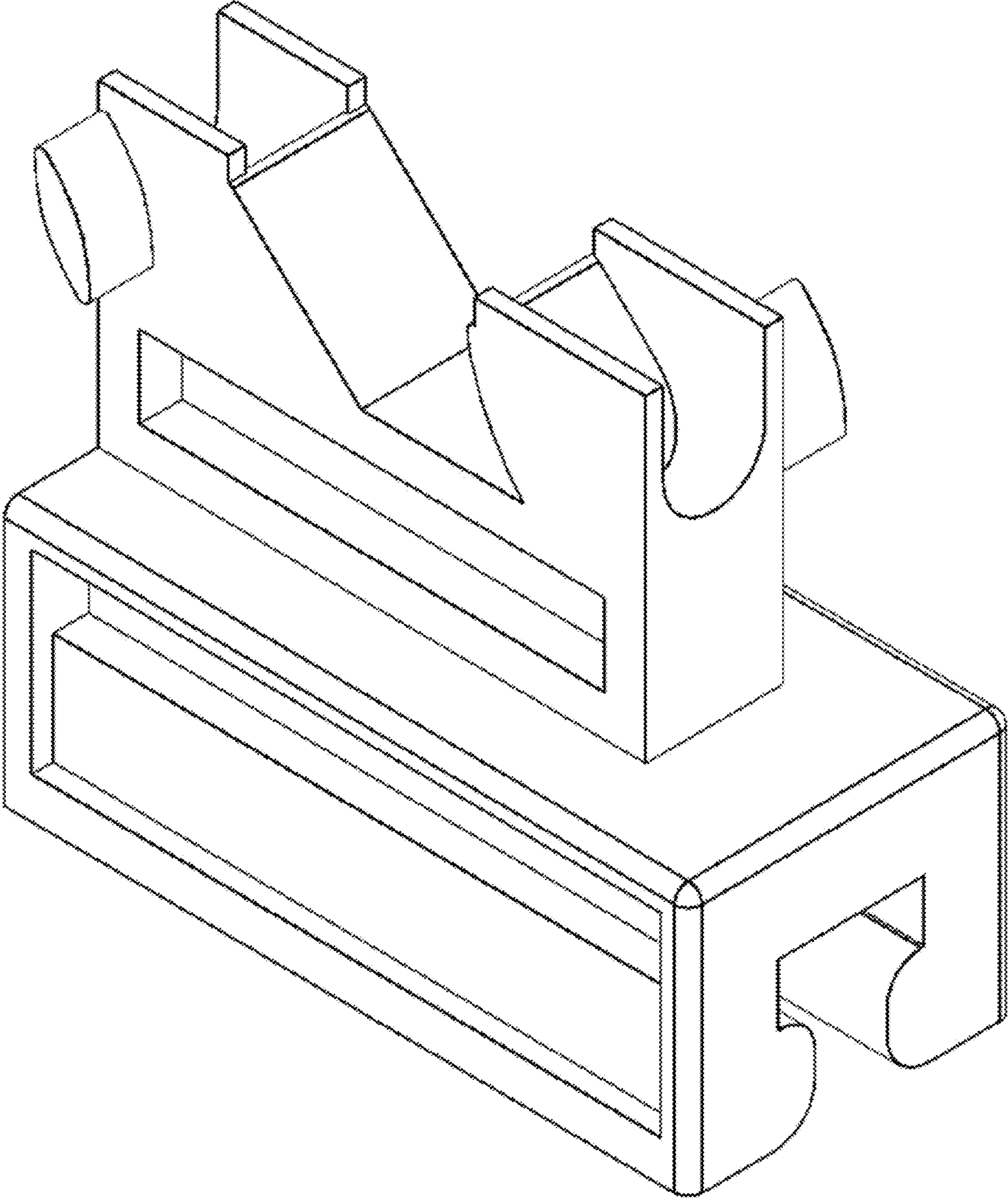


Figure 1

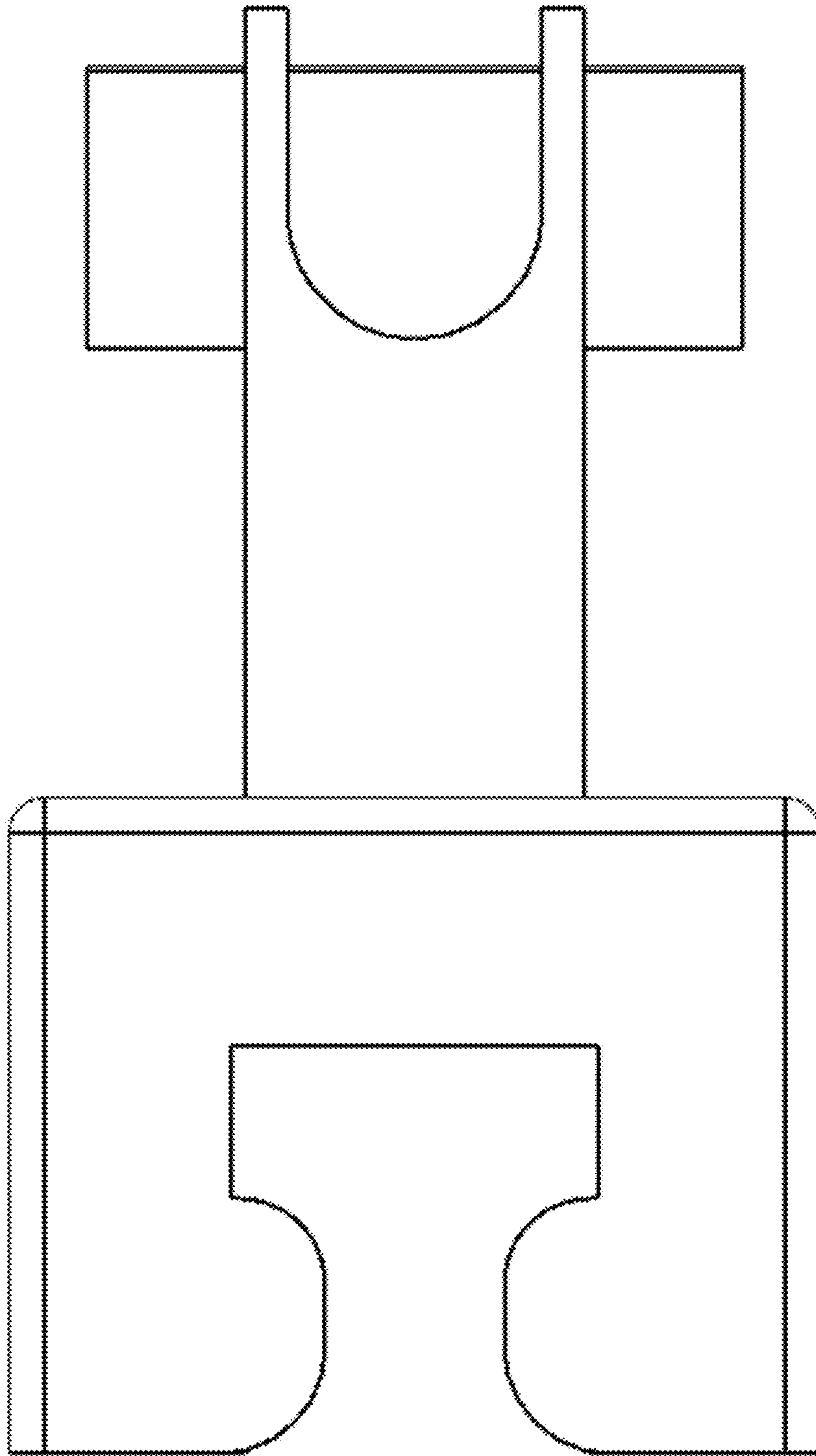


Figure 2

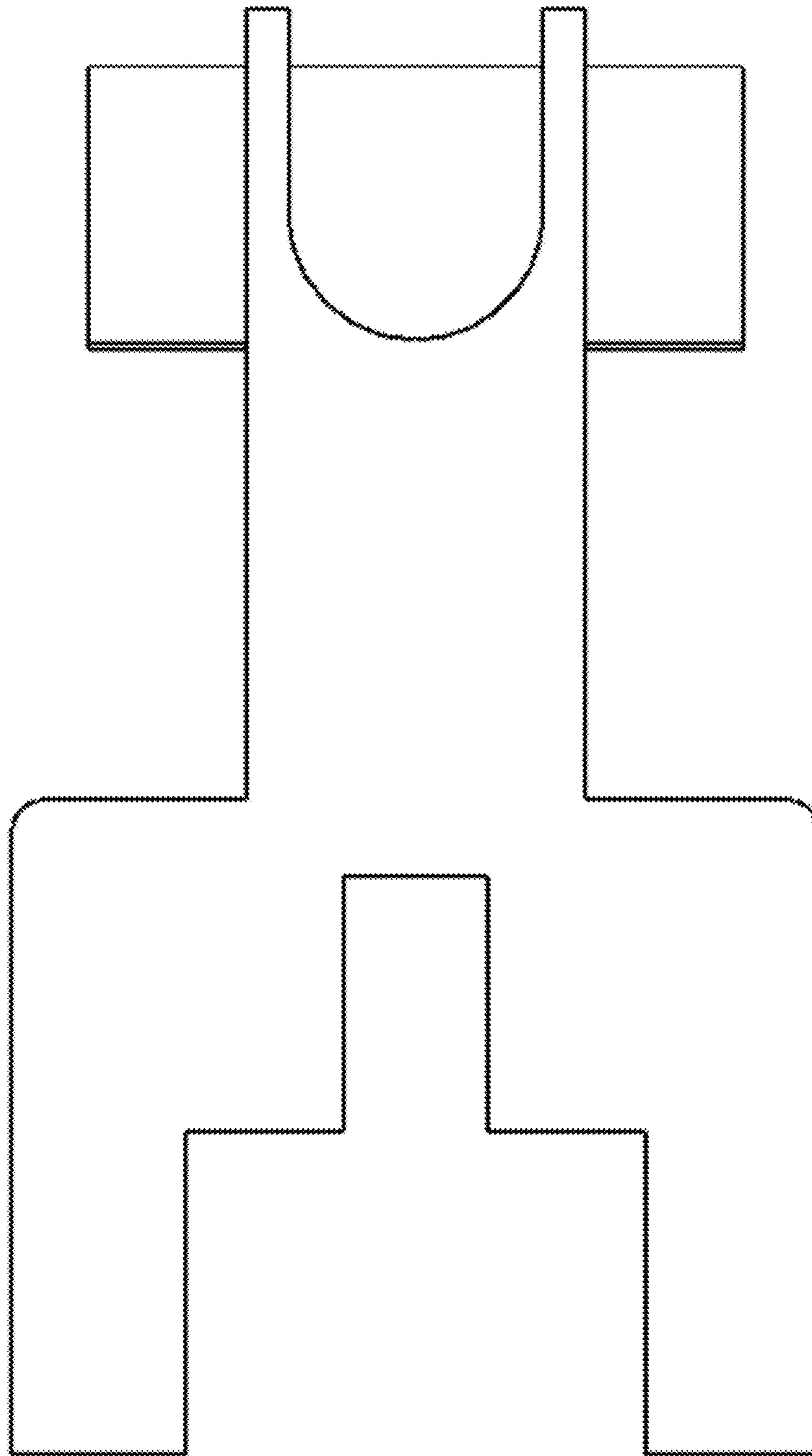


Figure 3

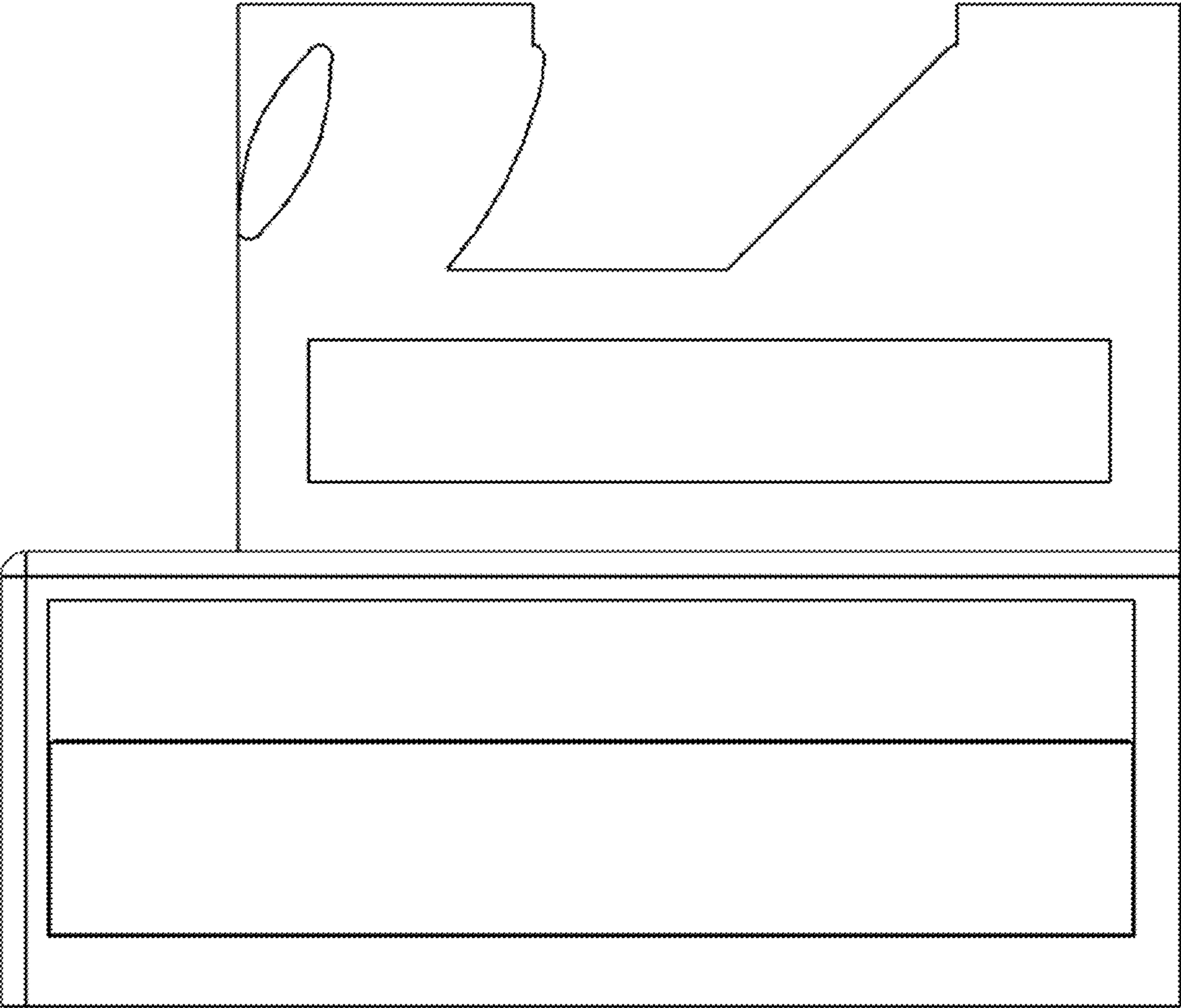


Figure 4

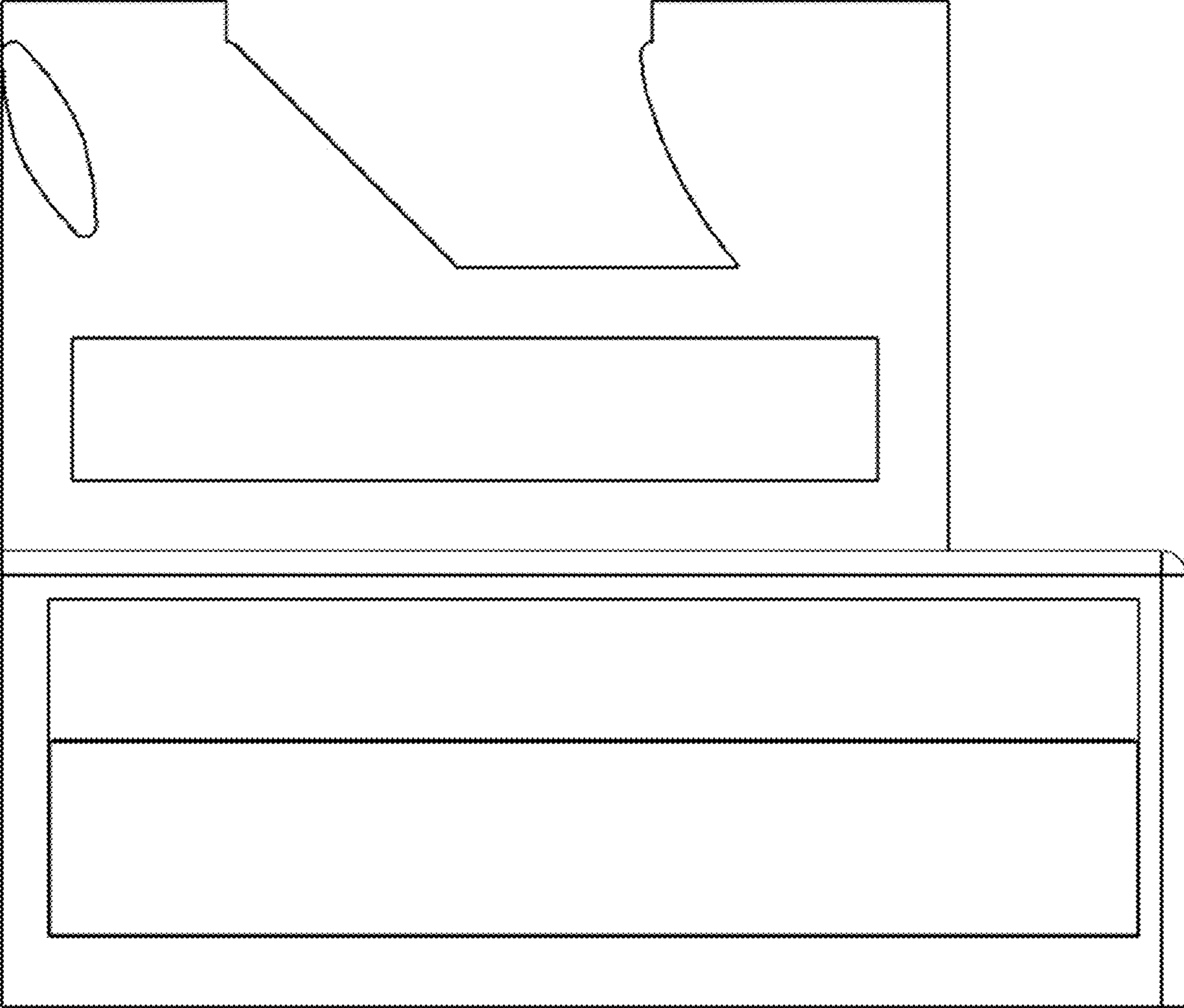


Figure 5

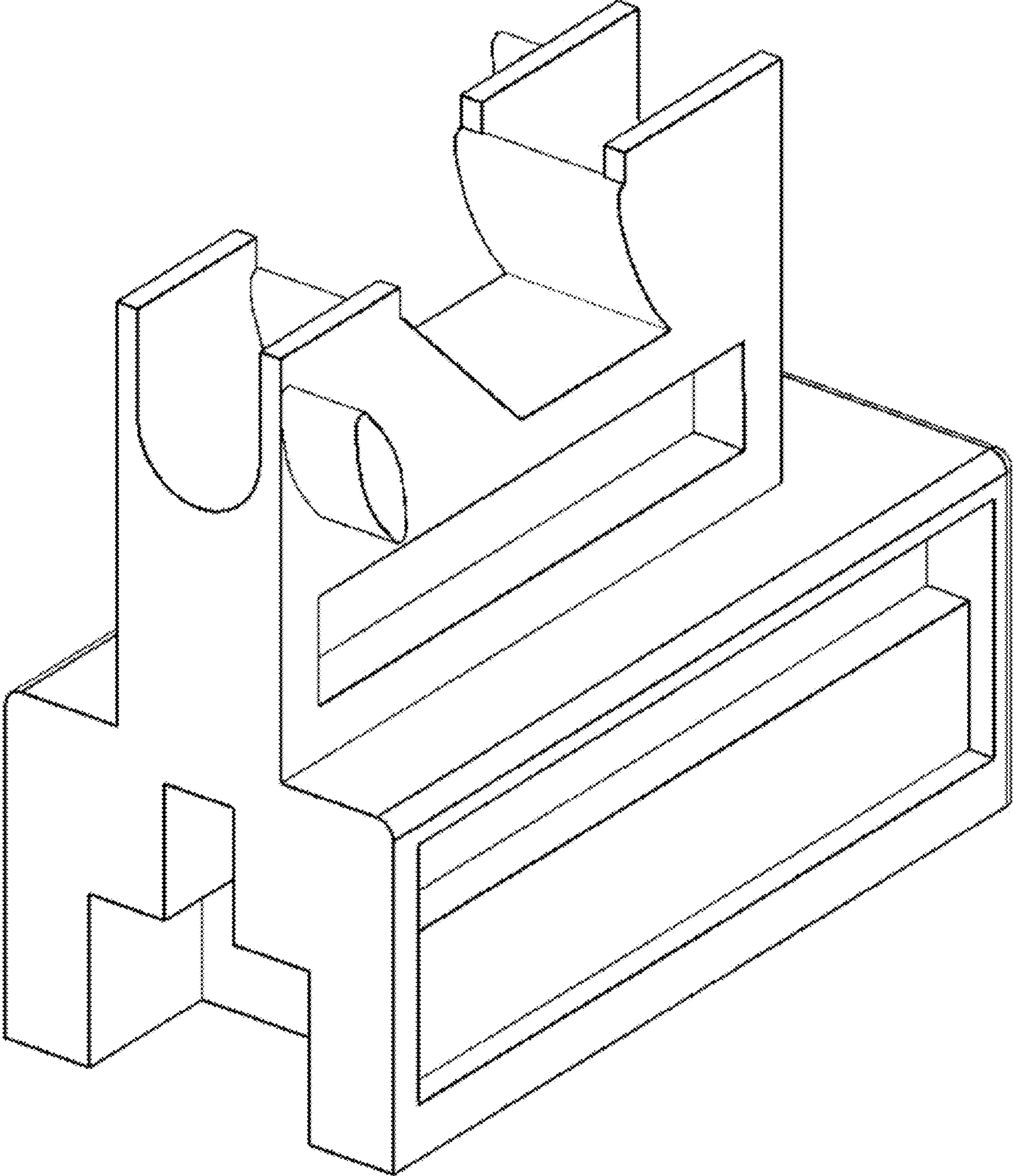


Figure 6

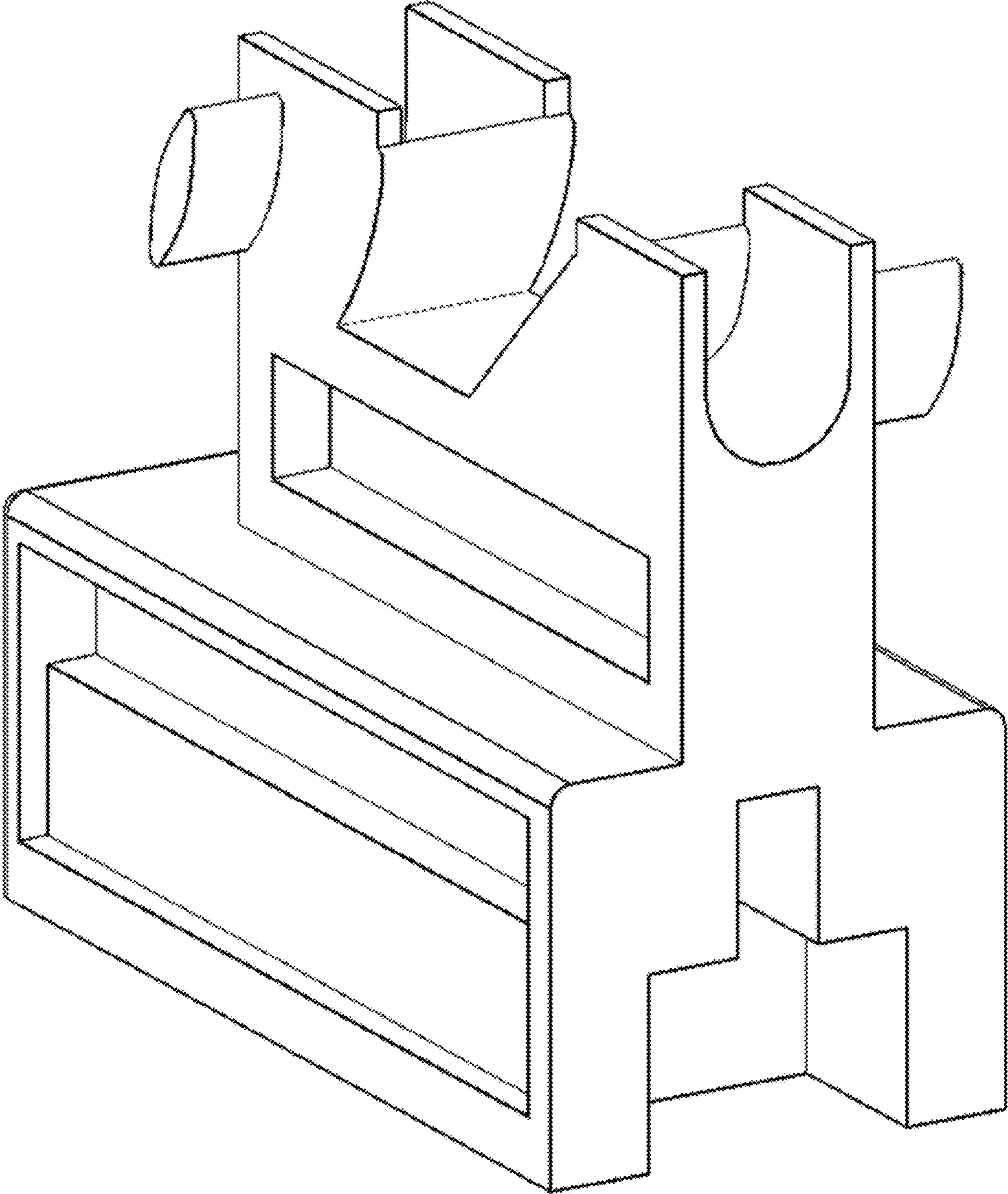


Figure 7

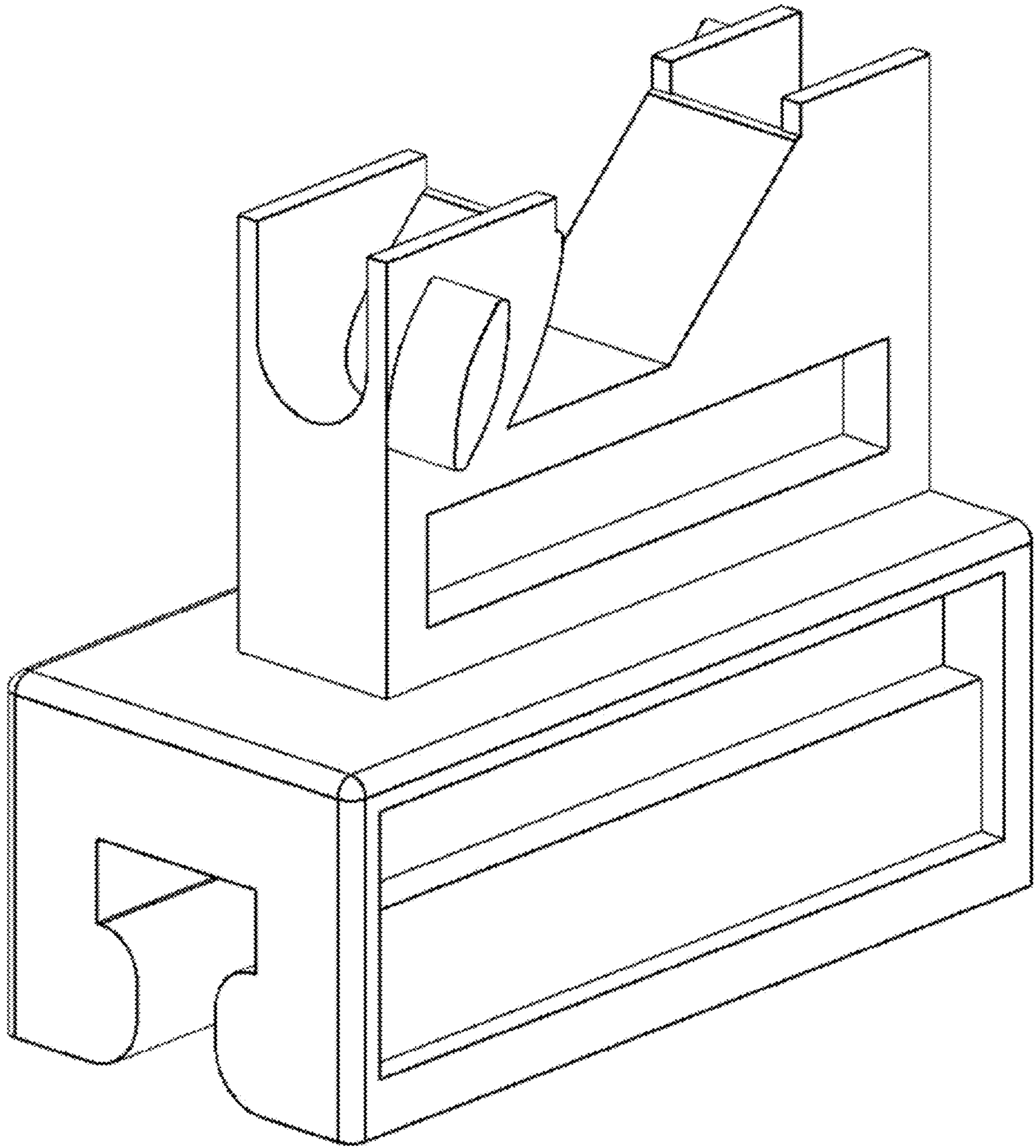


Figure 8

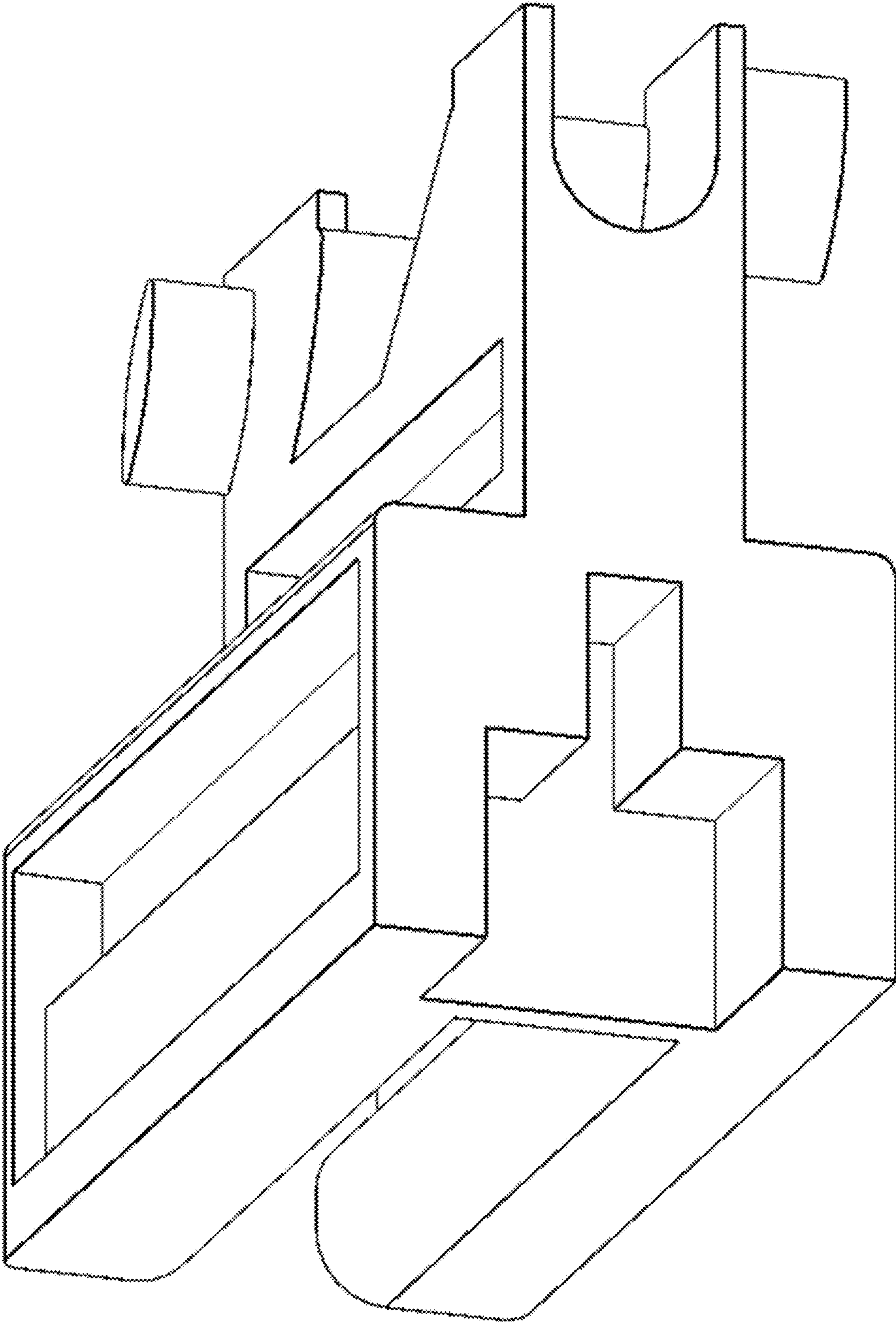


Figure 9

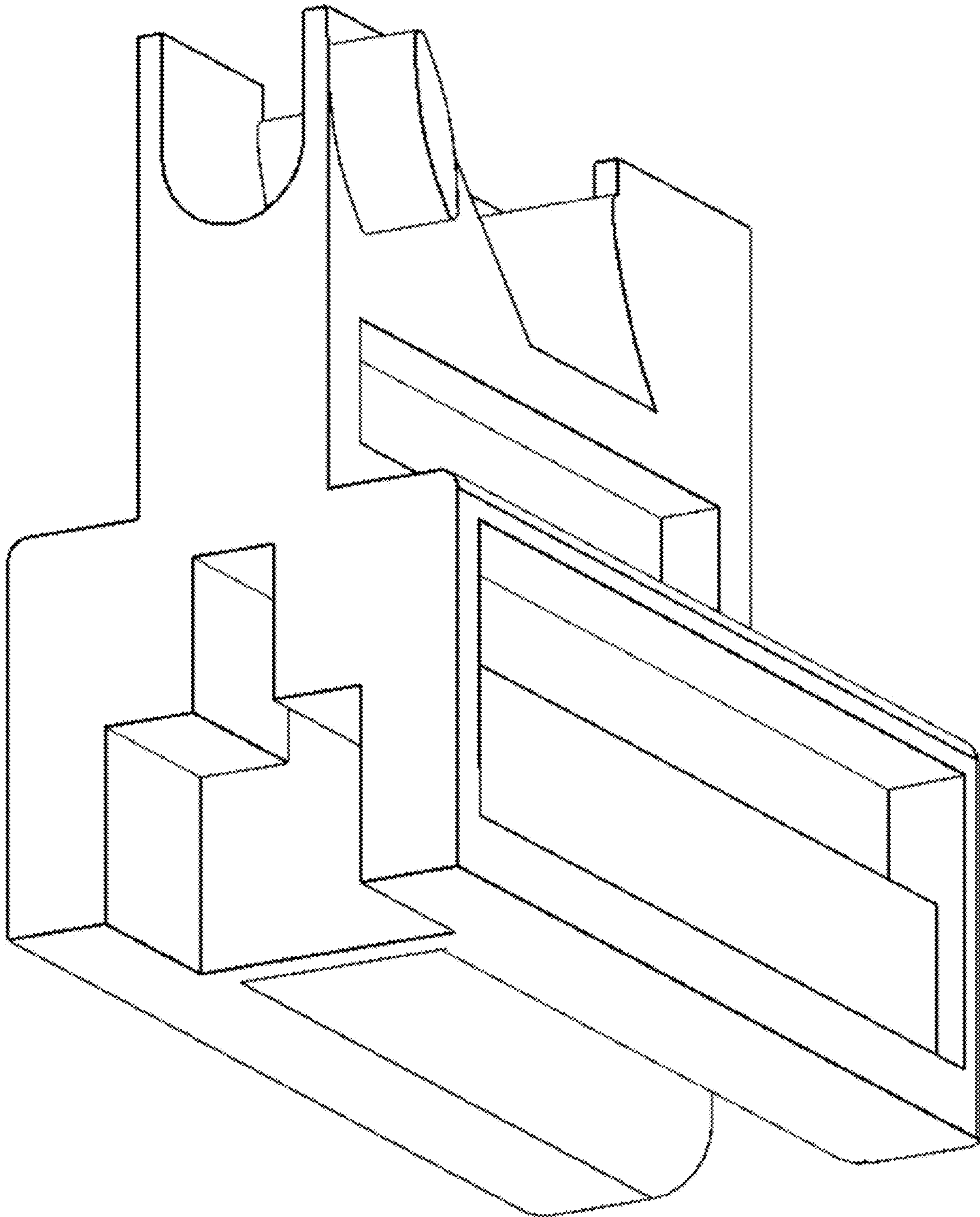


Figure 10

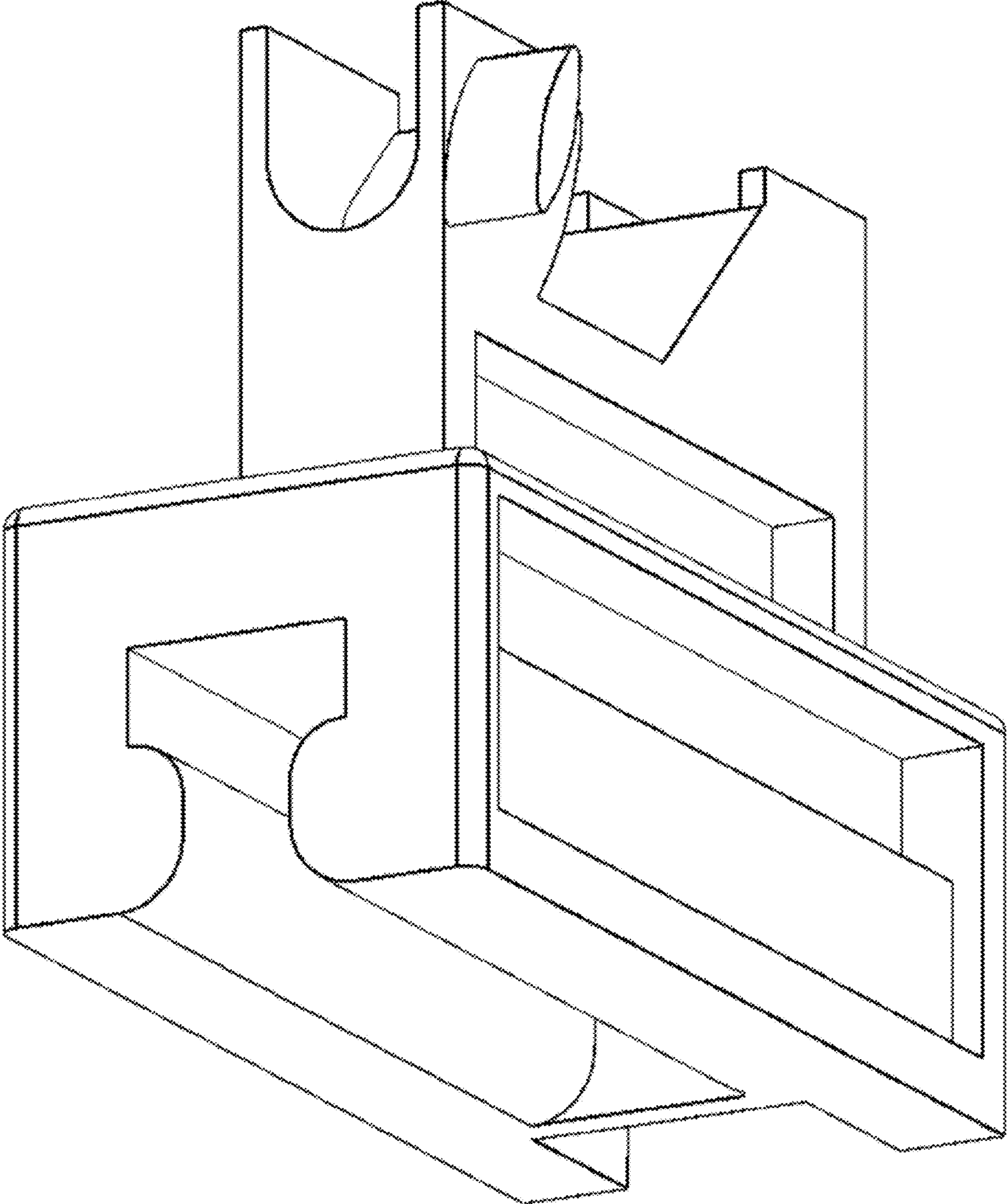


Figure 11

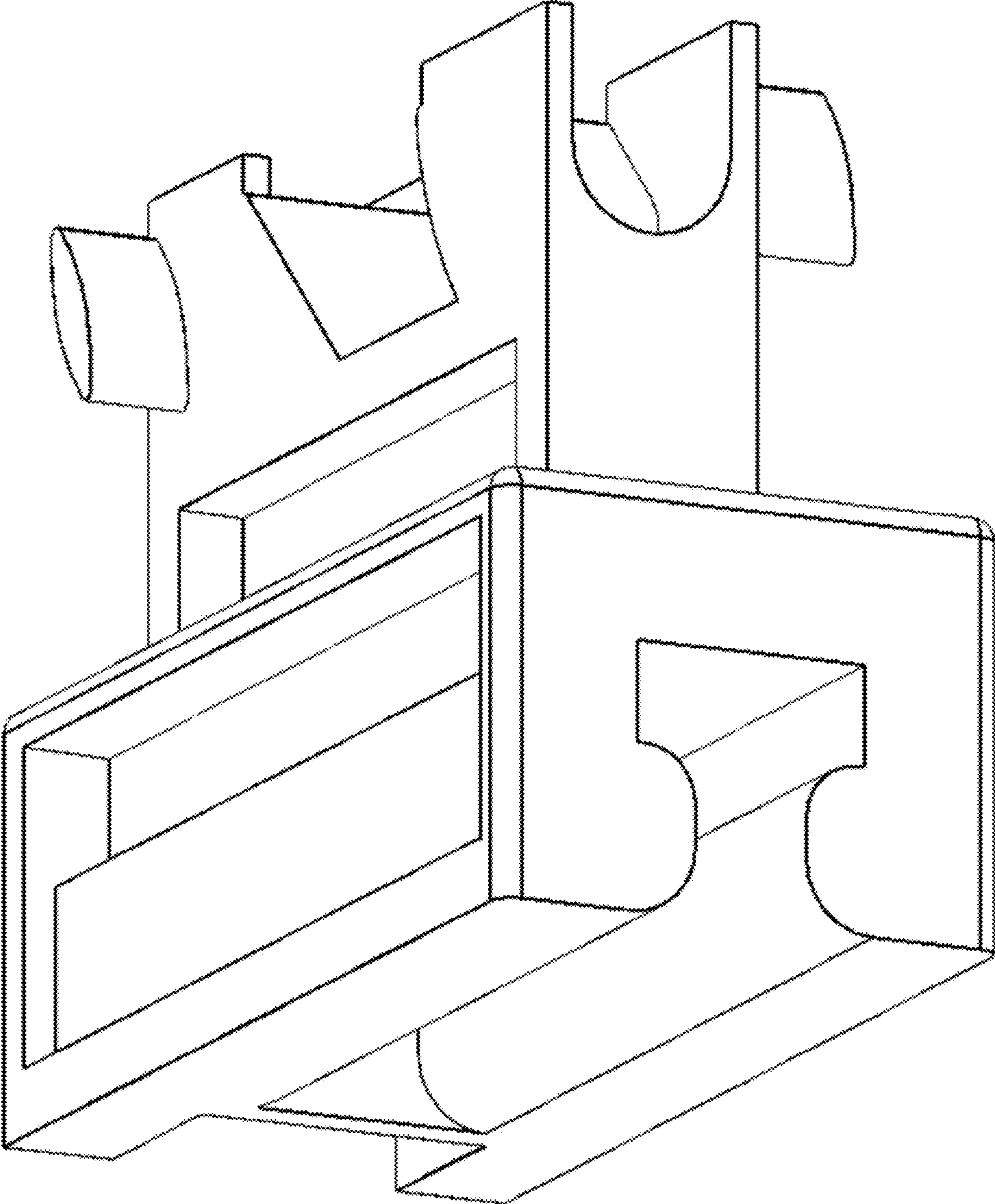


Figure 12