



US00D884751S

(12) **United States Design Patent**  
**Peavy**

(10) **Patent No.:** **US D884,751 S**

(45) **Date of Patent:** **\*\* May 19, 2020**

(54) **STORAGE BOBBIN CLAMP FOR A SEWING MACHINE**

(71) Applicant: **Fanghua Peavy**, Livingston, TX (US)

(72) Inventor: **Fanghua Peavy**, Livingston, TX (US)

(\*\*) Term: **15 Years**

(21) Appl. No.: **29/666,982**

(22) Filed: **Nov. 4, 2018**

(51) **LOC (12) Cl.** ..... **15-06**

(52) **U.S. Cl.**  
USPC ..... **D15/78**

(58) **Field of Classification Search**  
USPC ..... D15/66-78; D3/18-26; D6/680.2  
CPC ..... D05B 1/00-25/00; D05B 91/16; D05B 91/00; D05B 91/06; B65H 49/38  
See application file for complete search history.

(56) **References Cited**

**U.S. PATENT DOCUMENTS**

6,540,075 B2 \* 4/2003 King ..... B65H 49/38  
206/303  
7,100,856 B2 \* 9/2006 Murphy, Jr. .... B65H 49/38  
242/118.41

7,503,270 B2 \* 3/2009 Wieczorek ..... D05B 57/00  
112/185

D623,847 S \* 9/2010 Iwasaki ..... D3/25

8,359,990 B2 \* 1/2013 Totsu ..... B65H 49/38  
112/231

D830,684 S \* 10/2018 Shirai ..... D3/24

\* cited by examiner

*Primary Examiner* — Mitchell I. Siegel

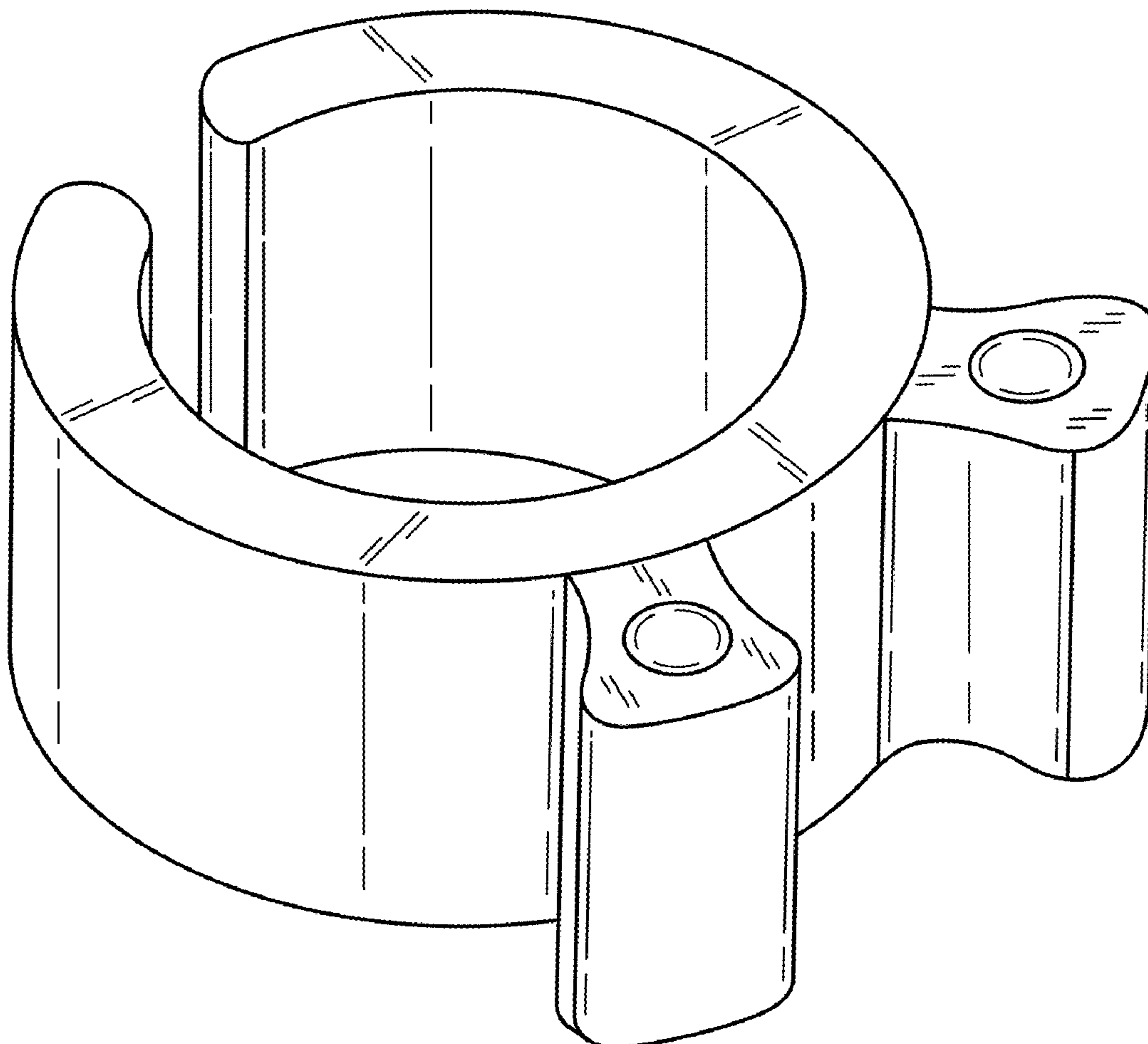
(57) **CLAIM**

The ornamental design for a storage bobbin clamp for a sewing machine, as shown and described.

**DESCRIPTION**

FIG. 1 is a first perspective view of a storage bobbin clamp for a sewing machine showing the claimed new design; FIG. 2 is a top plan view thereof; FIG. 3 is rear view thereof; and, FIG. 4 is a front view thereof.

**1 Claim, 3 Drawing Sheets**



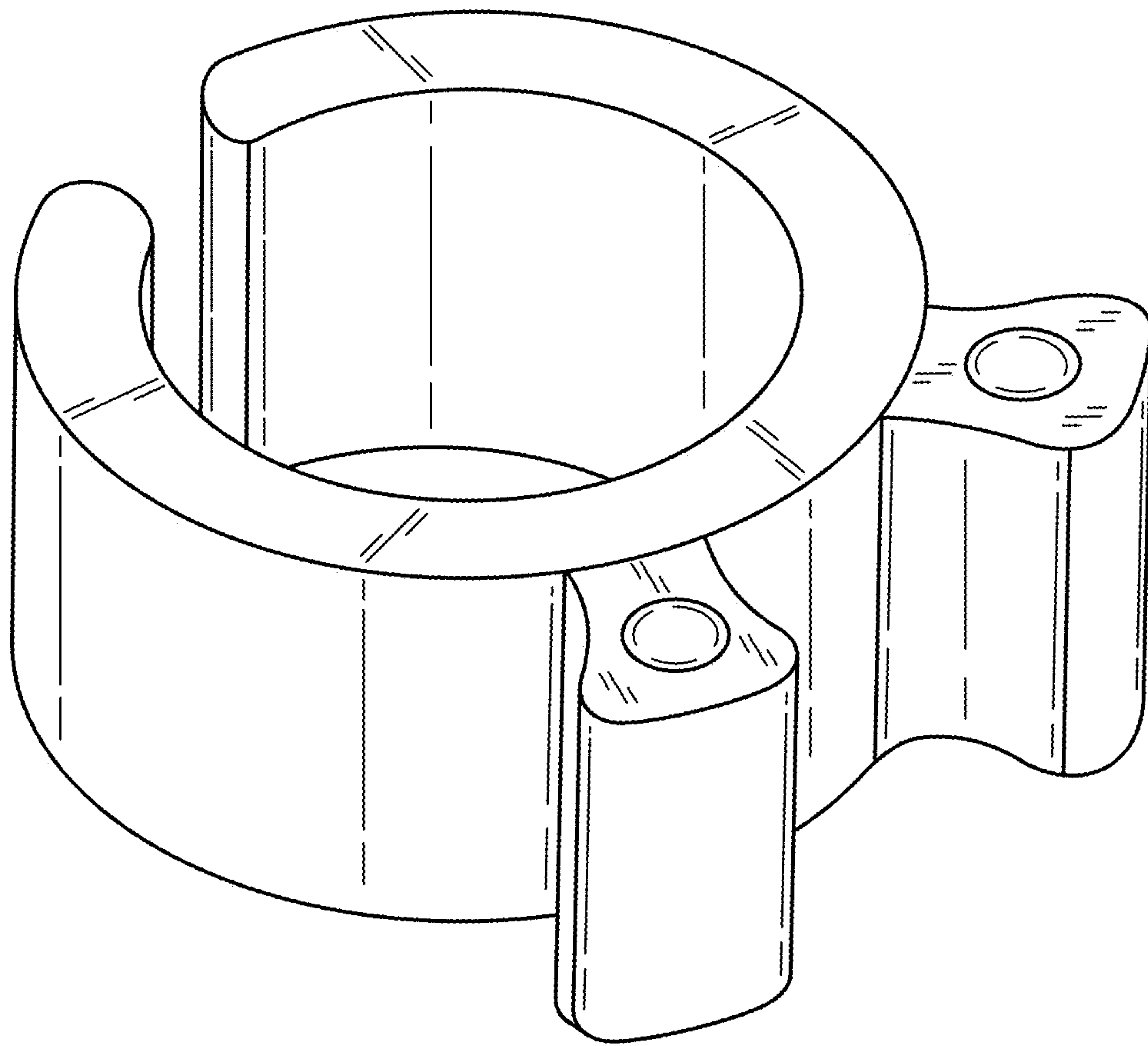


FIG. 1

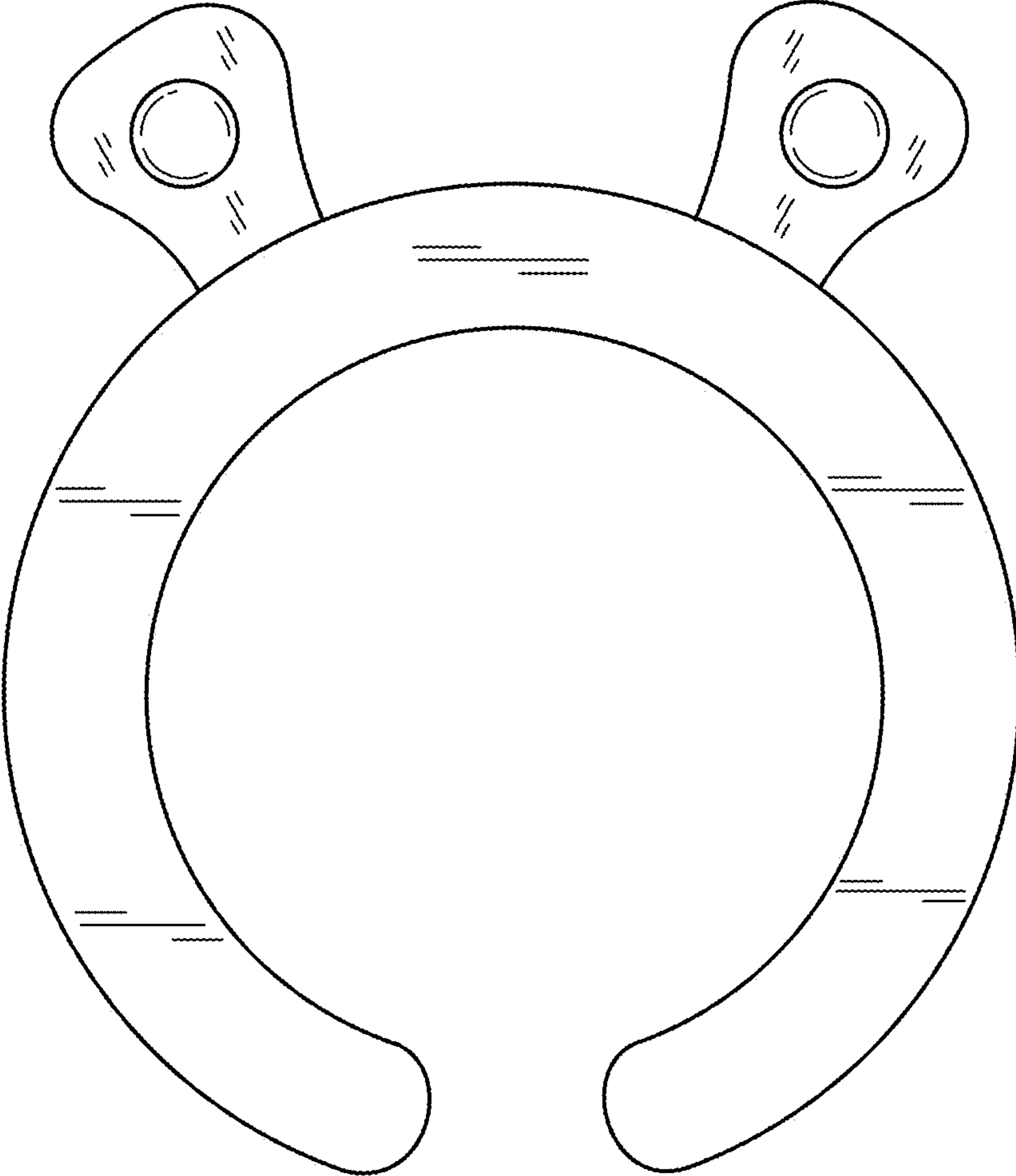


FIG. 2

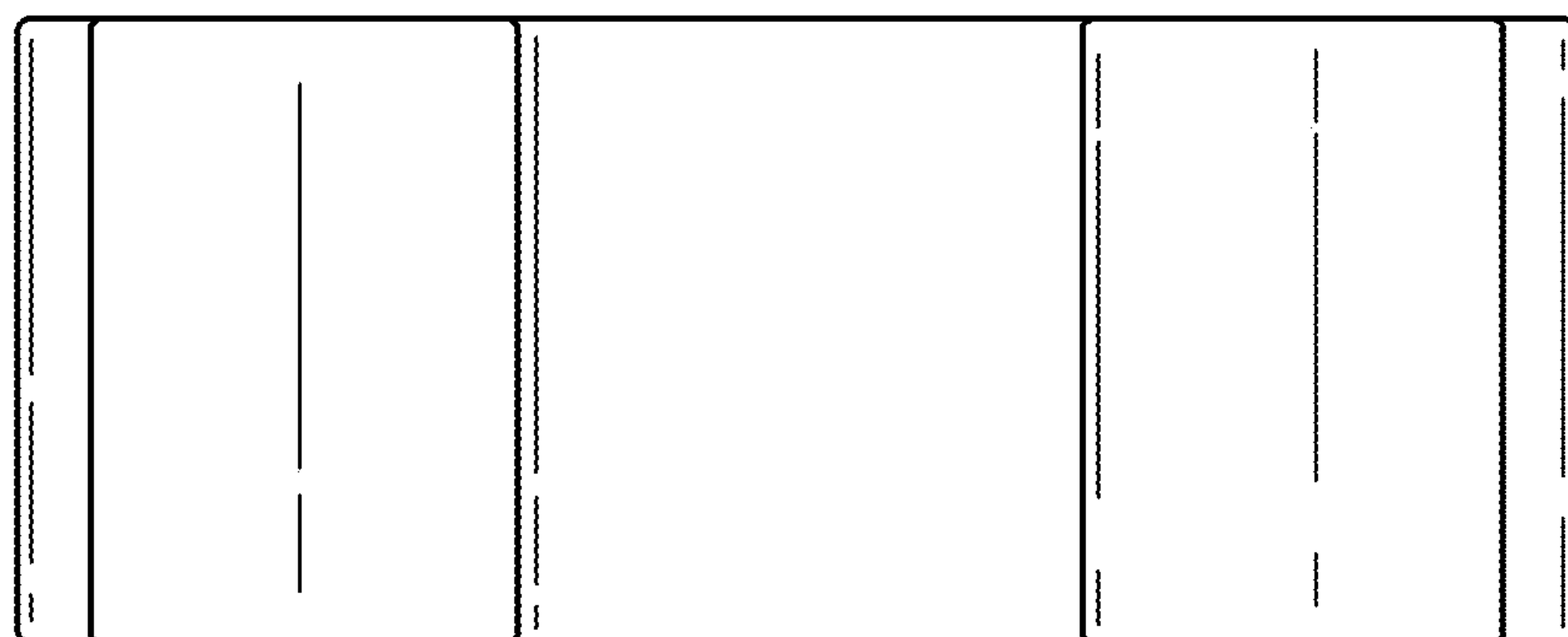


FIG. 3

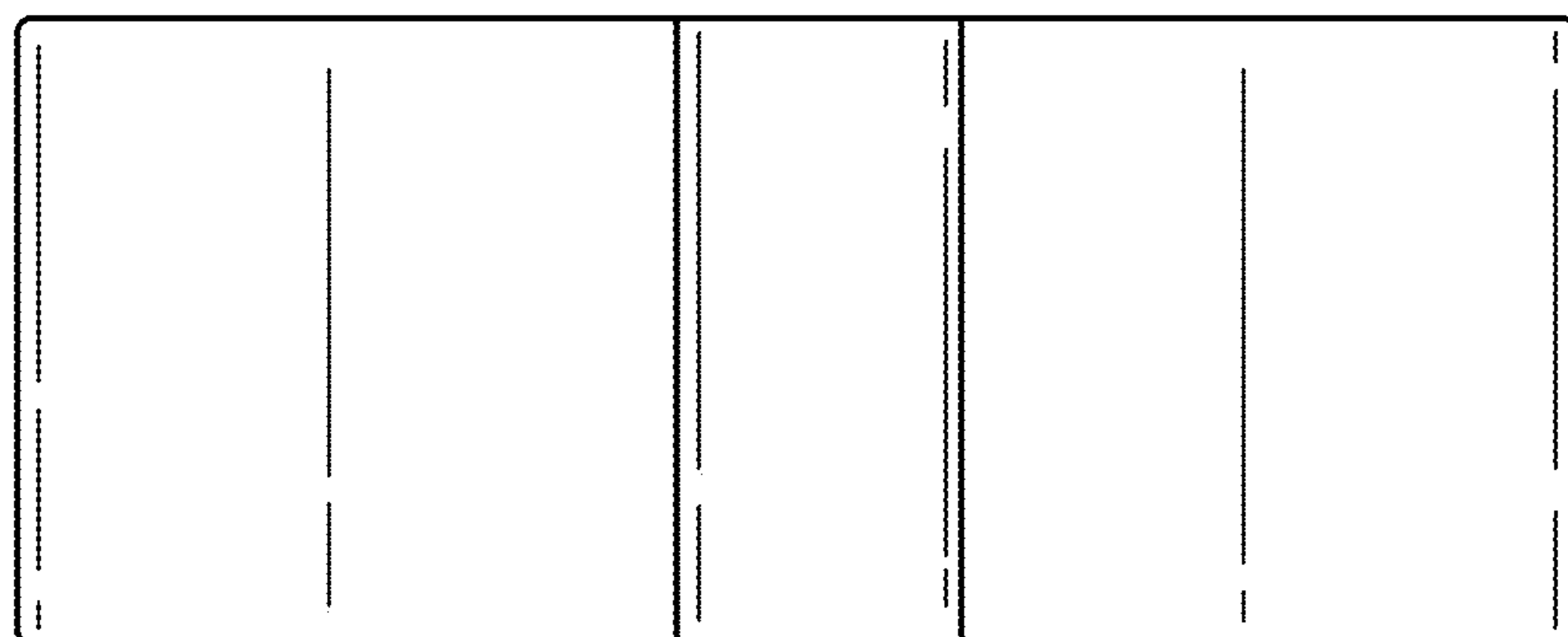


FIG. 4