



US00D884750S

(12) **United States Design Patent**
Leeb

(10) **Patent No.:** **US D884,750 S**

(45) **Date of Patent:** **** May 19, 2020**

(54) **AGRICULTURAL MACHINE**

(71) Applicant: **HORSCH LEEB Application Systems GmbH, Oberpöding (DE)**

(72) Inventor: **Theodor Leeb, Wallersdorf (DE)**

(73) Assignee: **HORSCH LEEB Application Systems GmbH, Oberpöding (DE)**

(**) Term: **15 Years**

(21) Appl. No.: **29/680,595**

(22) Filed: **Feb. 18, 2019**

(51) **LOC (12) Cl.** **15-03**

(52) **U.S. Cl.**
USPC **D15/27**

(58) **Field of Classification Search**
USPC D15/10-12, 22-26, 28, 27; 56/14.5-14.7, 56/16.6, 122-125; 296/190, 191; 460/83, 119; 180/89.1, 89.12
CPC A01B 73/00; A01D 75/00; A01D 41/06; A01D 41/1208; A01D 41/00; A01D 67/00; A01D 45/00; A01D 45/02; A01D 45/021; A01D 43/081; A01C 23/007; A01C 23/00; A01C 23/04; A01C 23/008; A01C 23/047; A01M 7/0057; A01M 7/00
See application file for complete search history.

(56) **References Cited**

U.S. PATENT DOCUMENTS

- 2,610,076 A * 9/1952 Walsh A01M 7/0053
403/91
- 3,887,132 A * 6/1975 Widmer A01M 7/00
239/166
- 4,011,914 A * 3/1977 Elmer A01B 69/024
172/126
- 4,288,034 A * 9/1981 Widmer A01M 7/0075
239/159
- D289,876 S * 5/1987 McDonnell D15/27

(Continued)

Primary Examiner — Mark A Goodwin

(74) *Attorney, Agent, or Firm* — Erickson Kernell IP, LLC; Kent R. Erickson

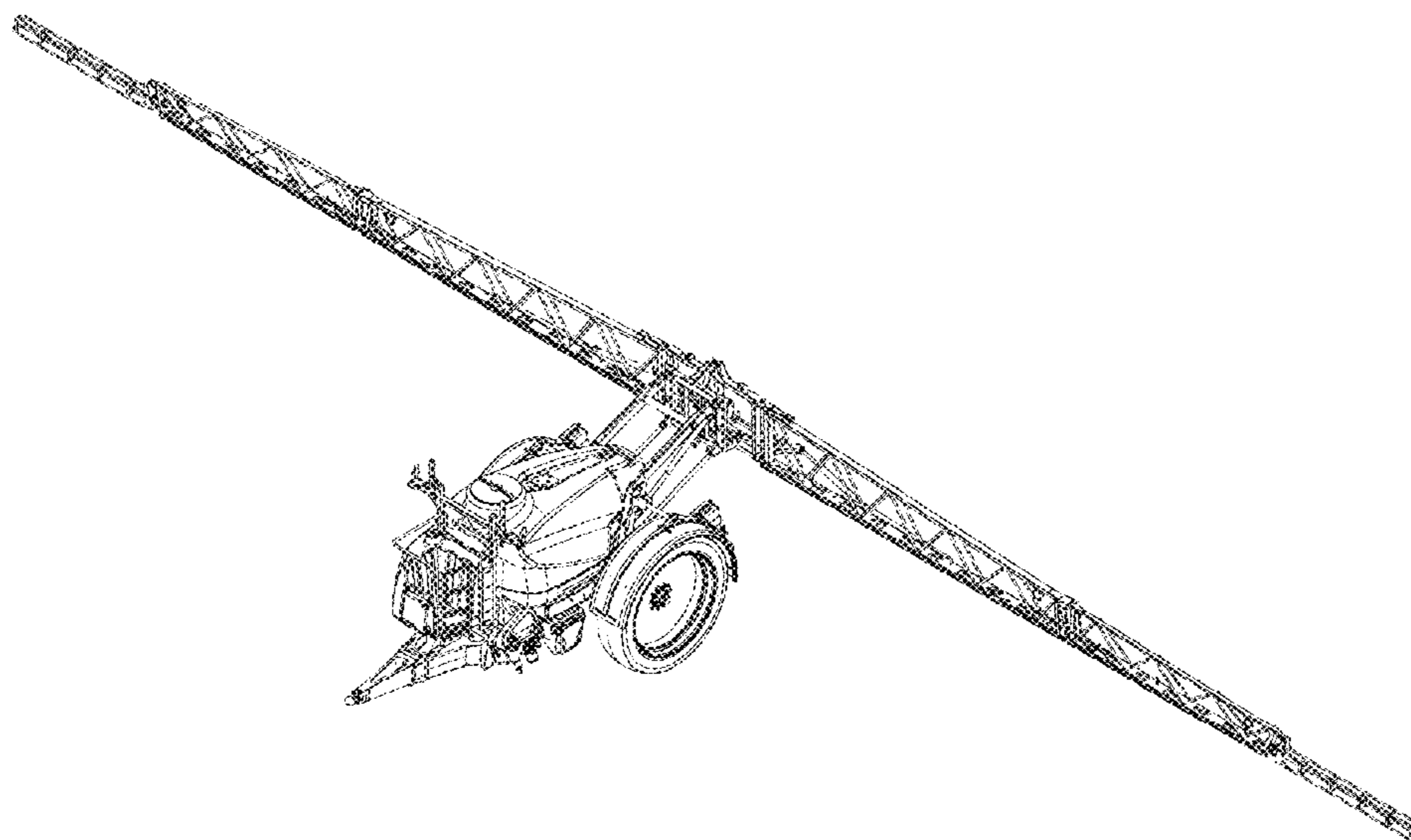
(57) **CLAIM**

The ornamental design for an agricultural machine, as shown and described.

DESCRIPTION

FIG. 1 is a perspective view of an agricultural machine with spray booms, each in an unfolded, working position; FIG. 2 is a left side elevational view of the agricultural machine as in FIG. 1; FIG. 3 is a right side elevational view of the agricultural machine as in FIG. 1; FIG. 4 is a rear elevational view of the agricultural machine as in FIG. 1; FIG. 5 is a front elevational view of the agricultural machine as in FIG. 1; FIG. 6 is a bottom plan view of the agricultural machine as in FIG. 1; FIG. 7 is a top plan view of the agricultural machine as in FIG. 1; FIG. 8 is a perspective view of the agricultural machine, as in FIG. 1, with the spray booms each in a folded, transport position; FIG. 9 is a left side elevational view of the agricultural machine as in FIG. 8; FIG. 10 is a right side elevational view of the agricultural machine as in FIG. 8; FIG. 11 is a rear plan view of the agricultural machine as in FIG. 8; FIG. 12 is a front elevational view of the agricultural machine as in FIG. 8; FIG. 13 is a bottom plan view of the agricultural machine as in FIG. 8; and, FIG. 14 is a top plan view of the agricultural machine as in FIG. 8.

1 Claim, 14 Drawing Sheets



(56)

References Cited

U.S. PATENT DOCUMENTS

4,886,208 A * 12/1989 Strand A01C 15/04
239/77
D355,919 S * 2/1995 Larson D15/13
D410,656 S * 6/1999 Thyberg D15/13
7,063,273 B2 * 6/2006 Hahn A01M 7/0064
239/159
D559,274 S * 1/2008 Chahley D15/13
D753,729 S * 4/2016 Ponzinibbio D15/13
D813,914 S * 3/2018 Horsch D15/27
D813,915 S * 3/2018 Horsch D15/27
D838,295 S * 1/2019 Schwalbe D15/26
10,238,098 B2 * 3/2019 Leeb A01M 7/0089
10,561,061 B2 * 2/2020 Leeb A01C 23/007

* cited by examiner

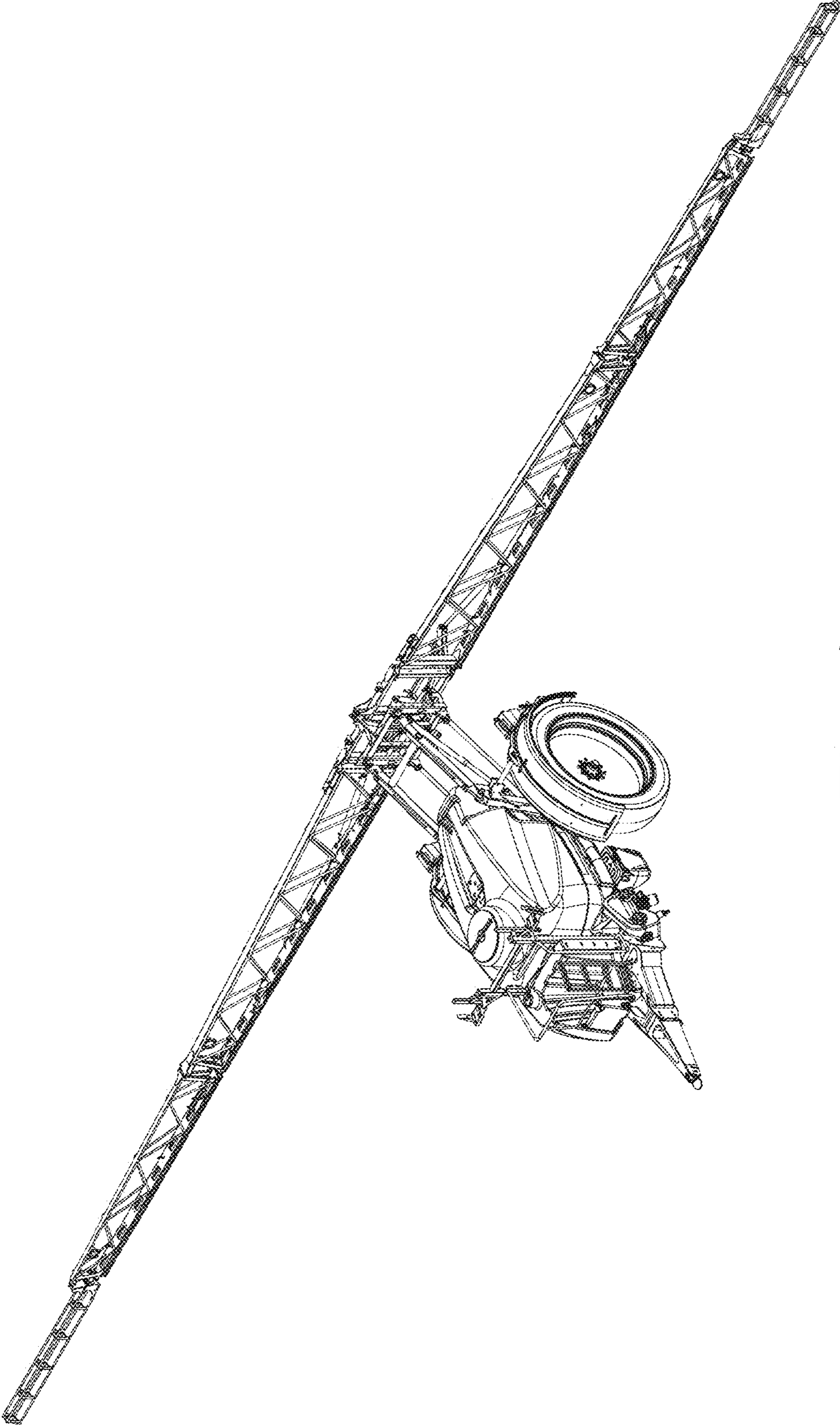


Fig. 1

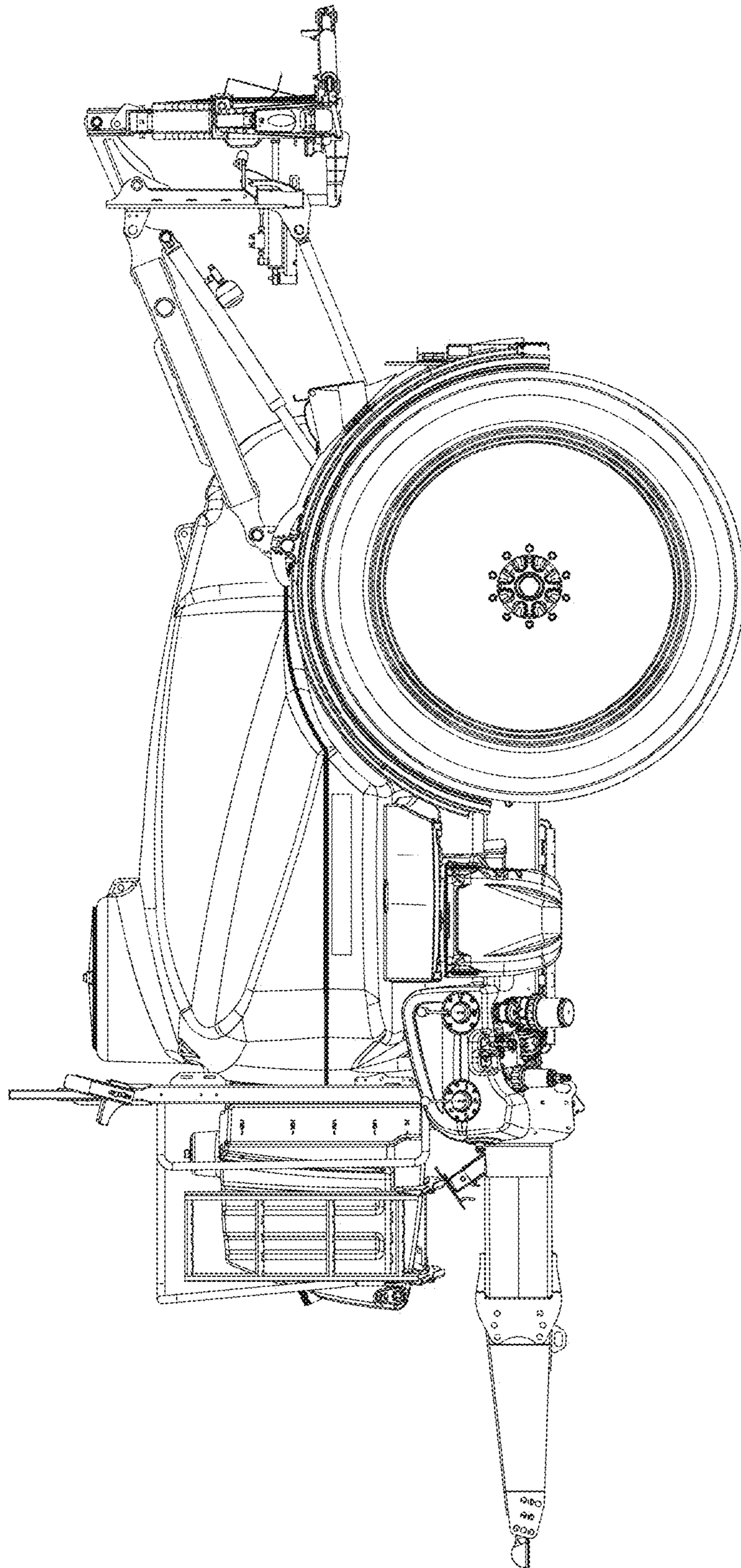


Fig. 2

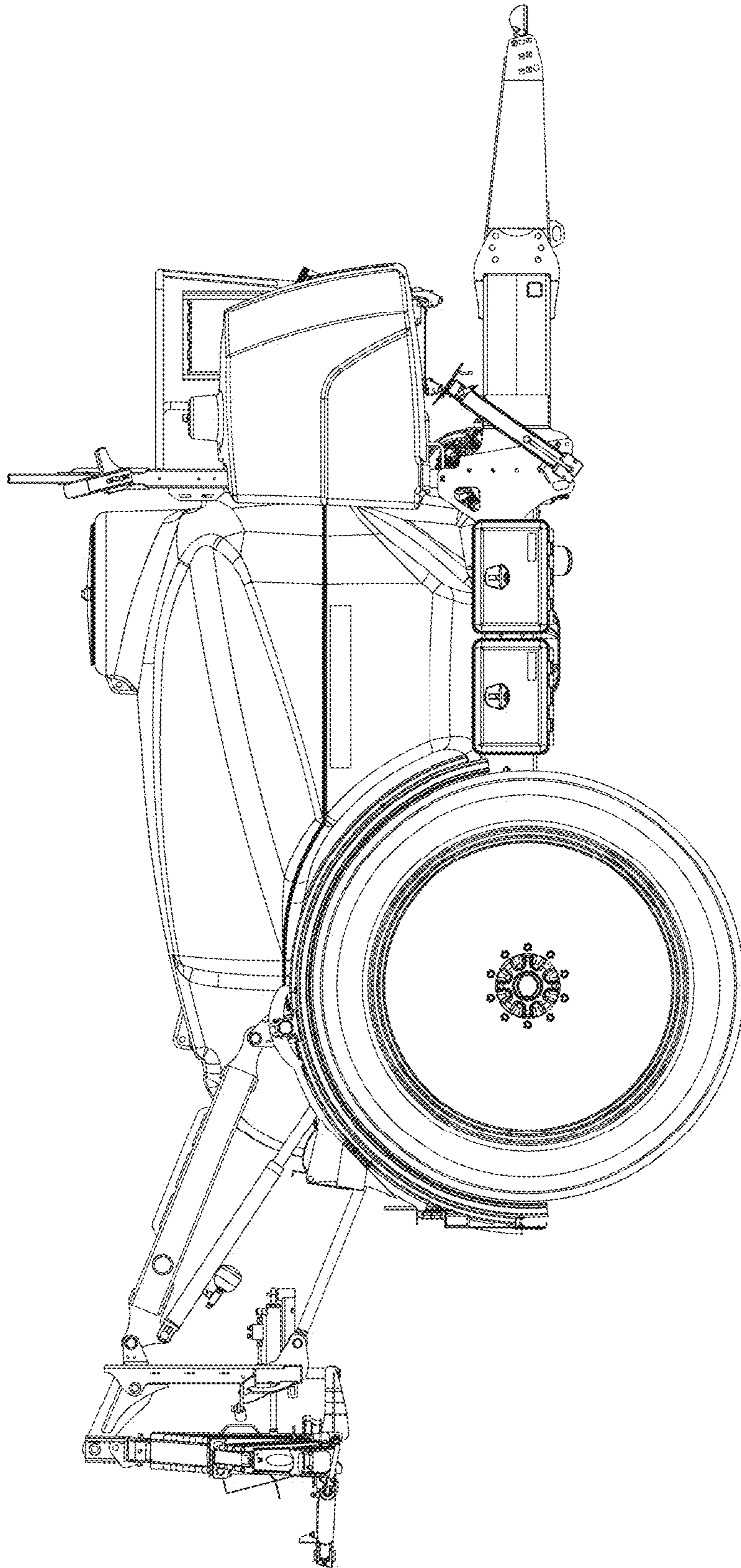


Fig. 3

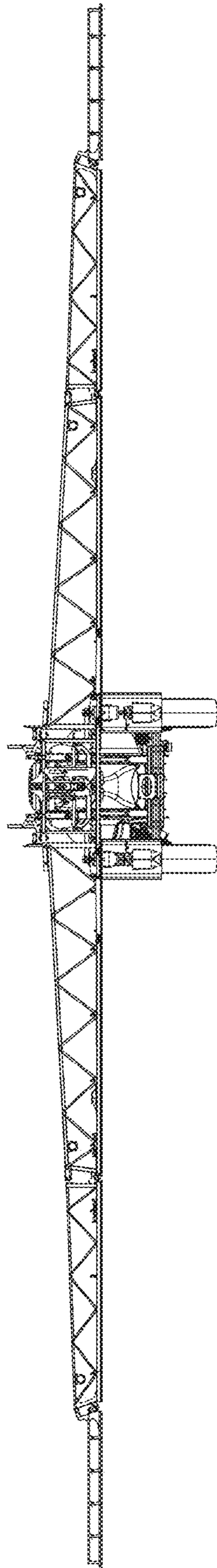


Fig. 4

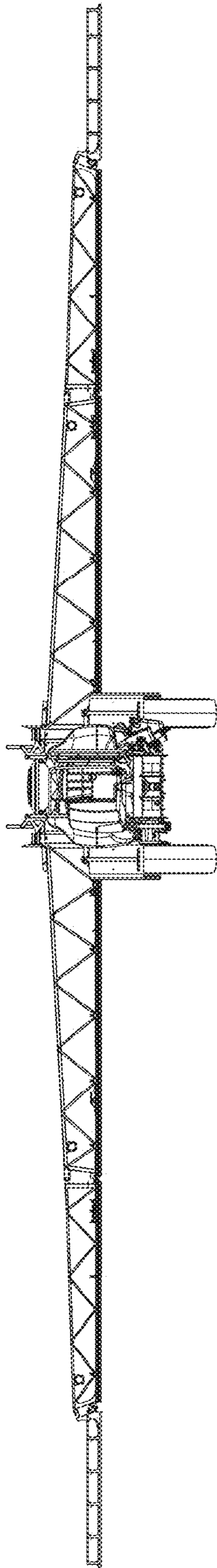


Fig. 5

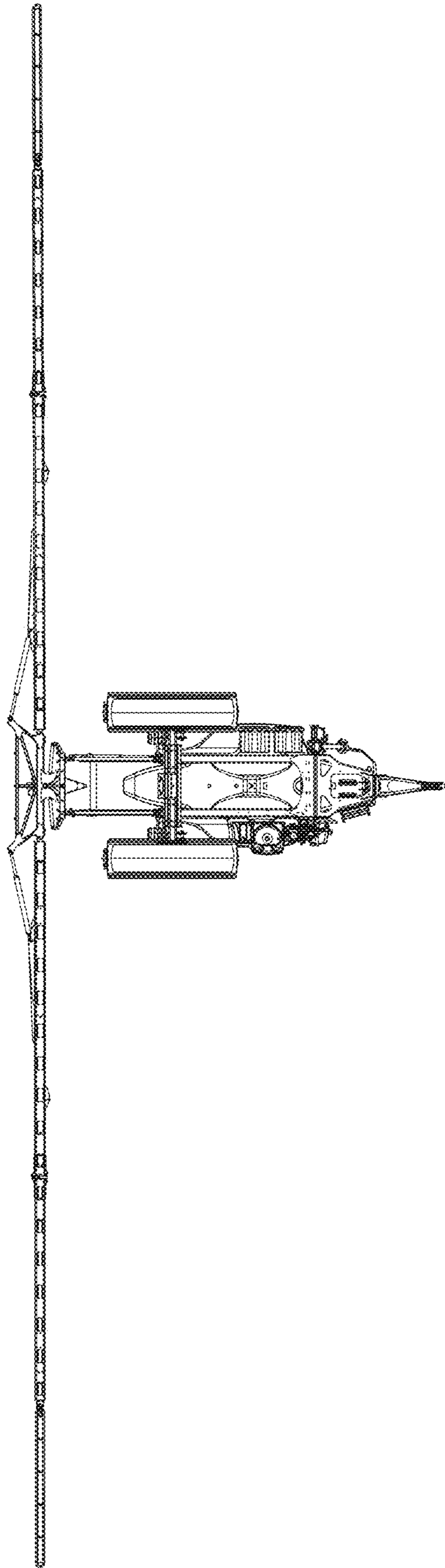


Fig. 6

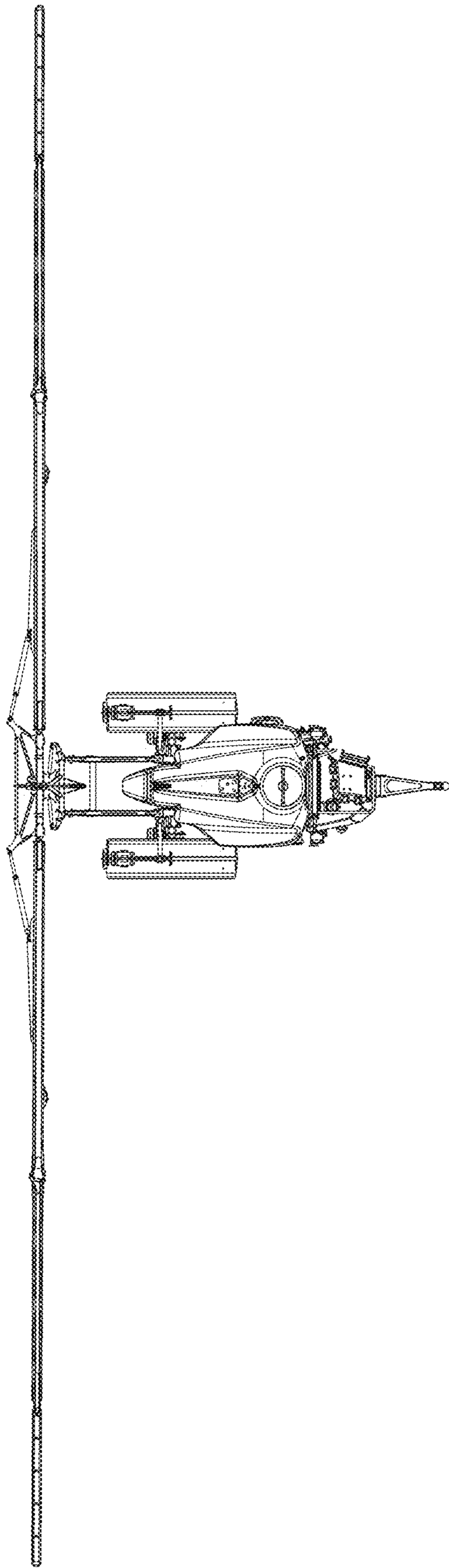


Fig. 7

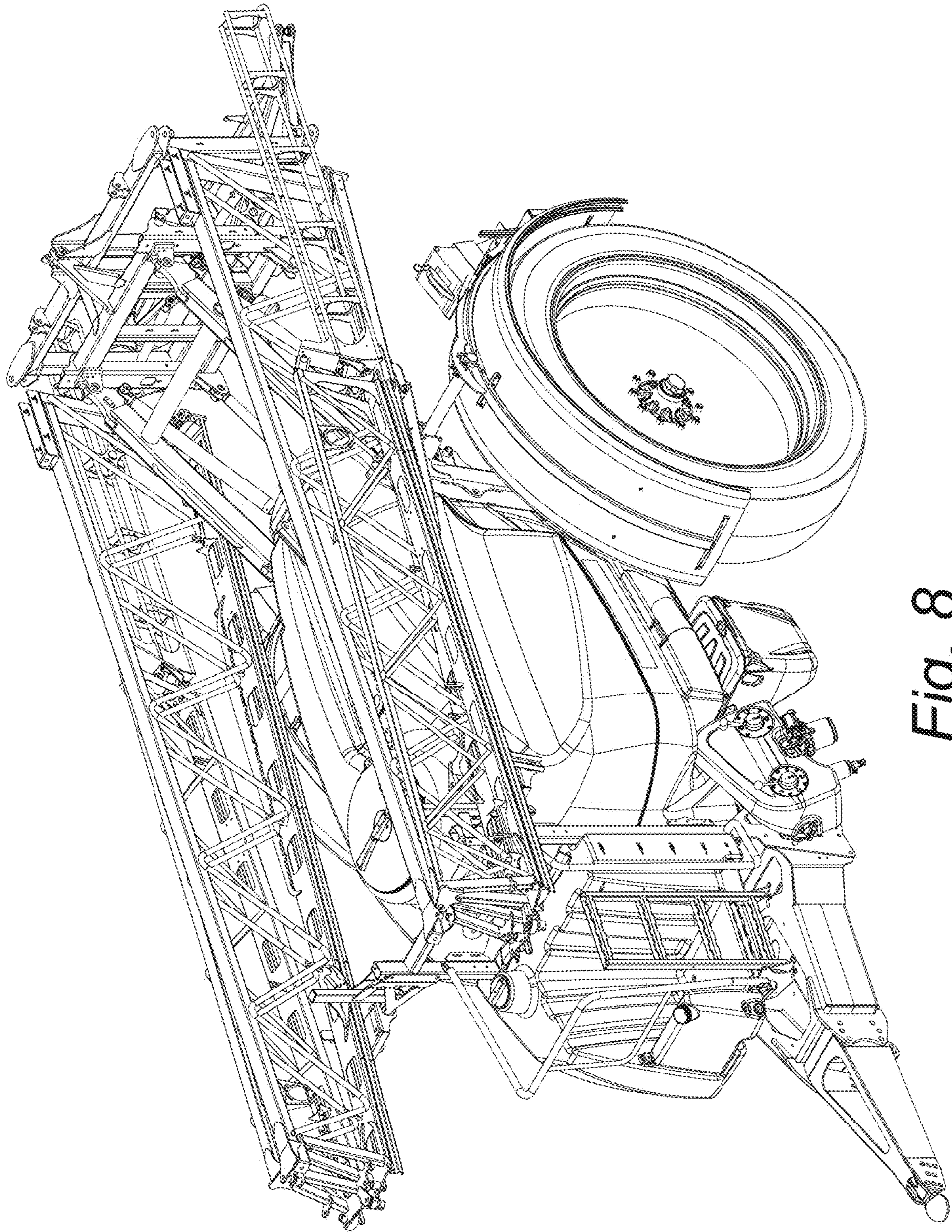


Fig. 8

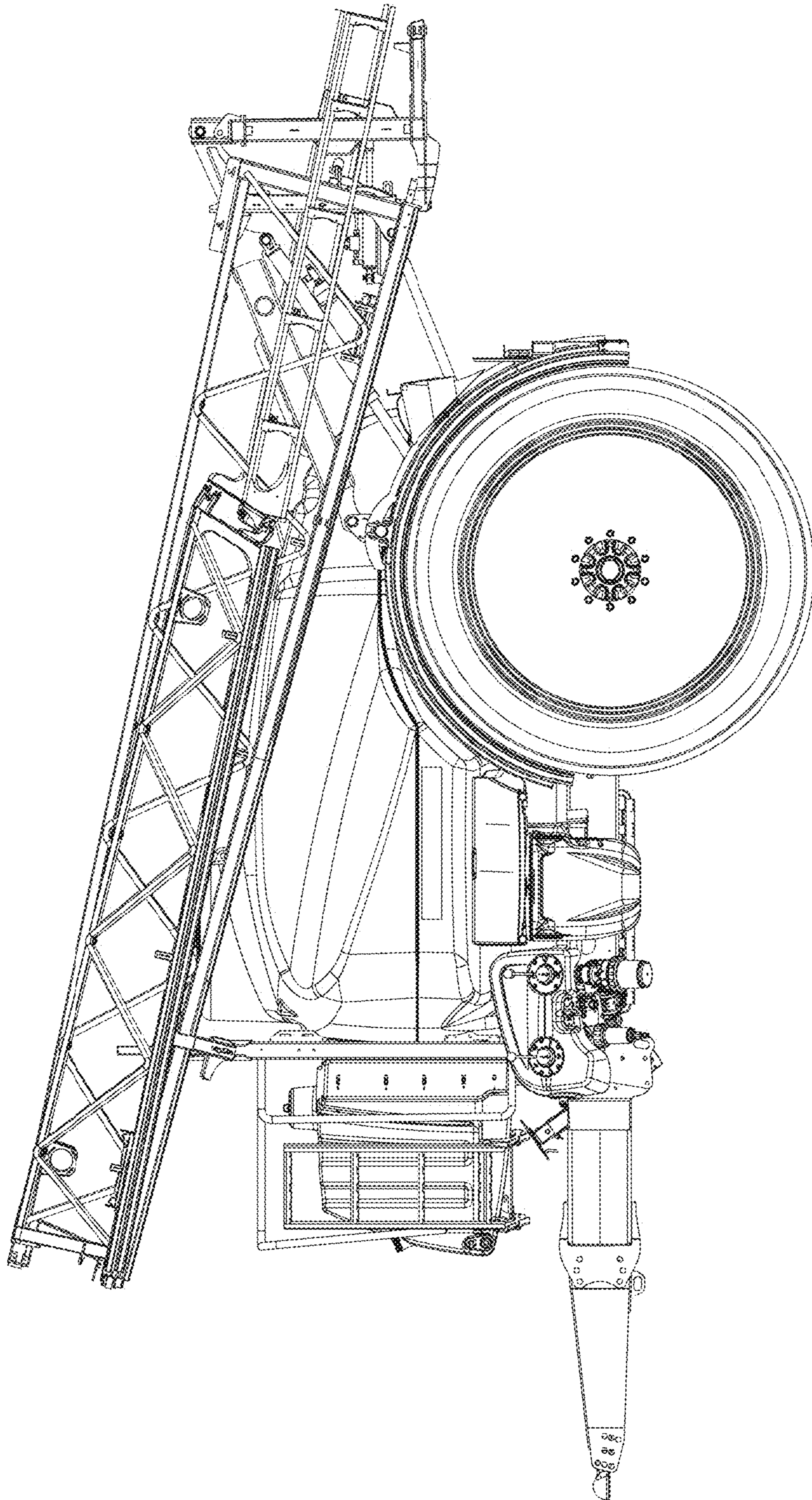


Fig. 9

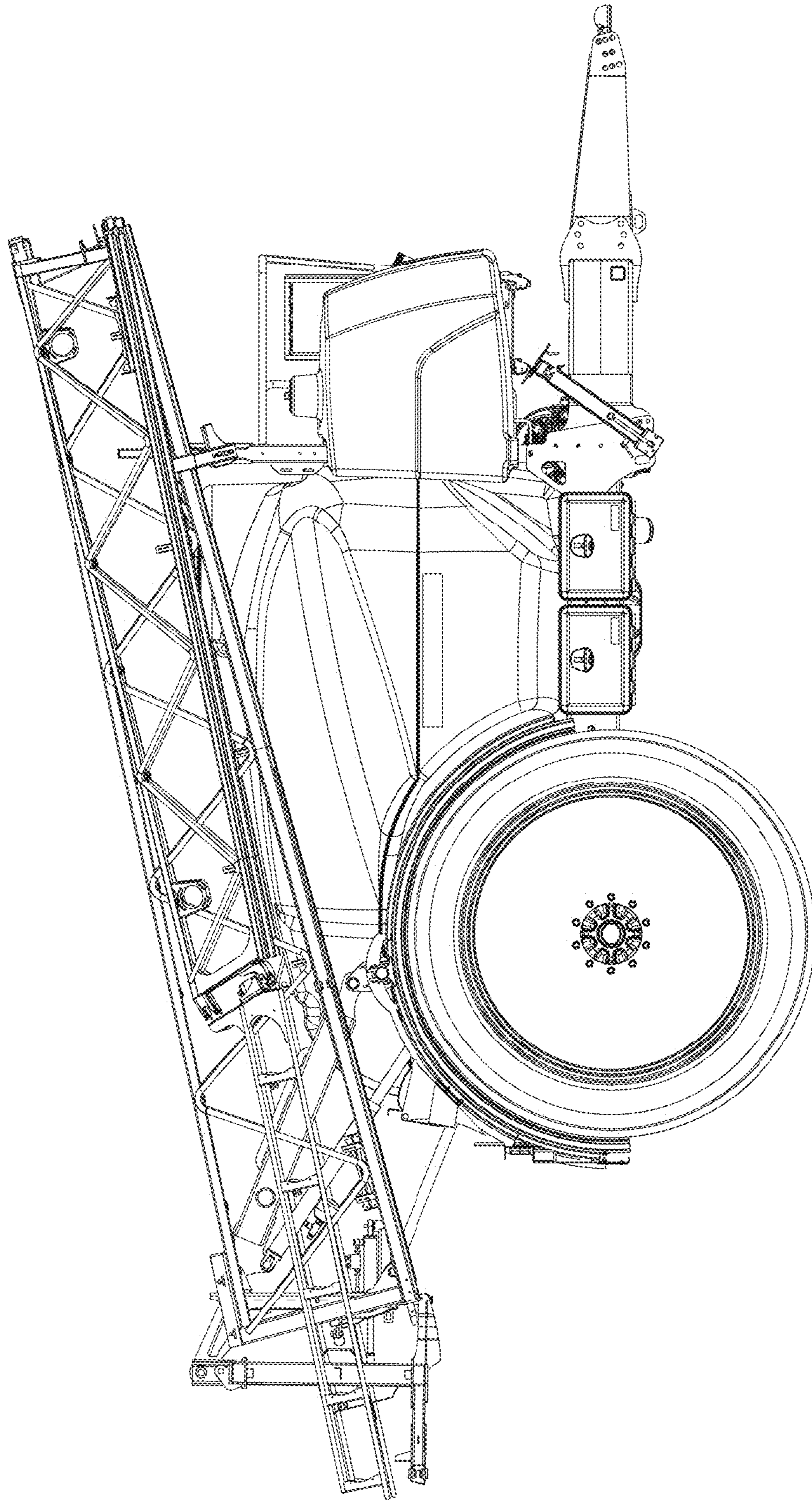


Fig. 10

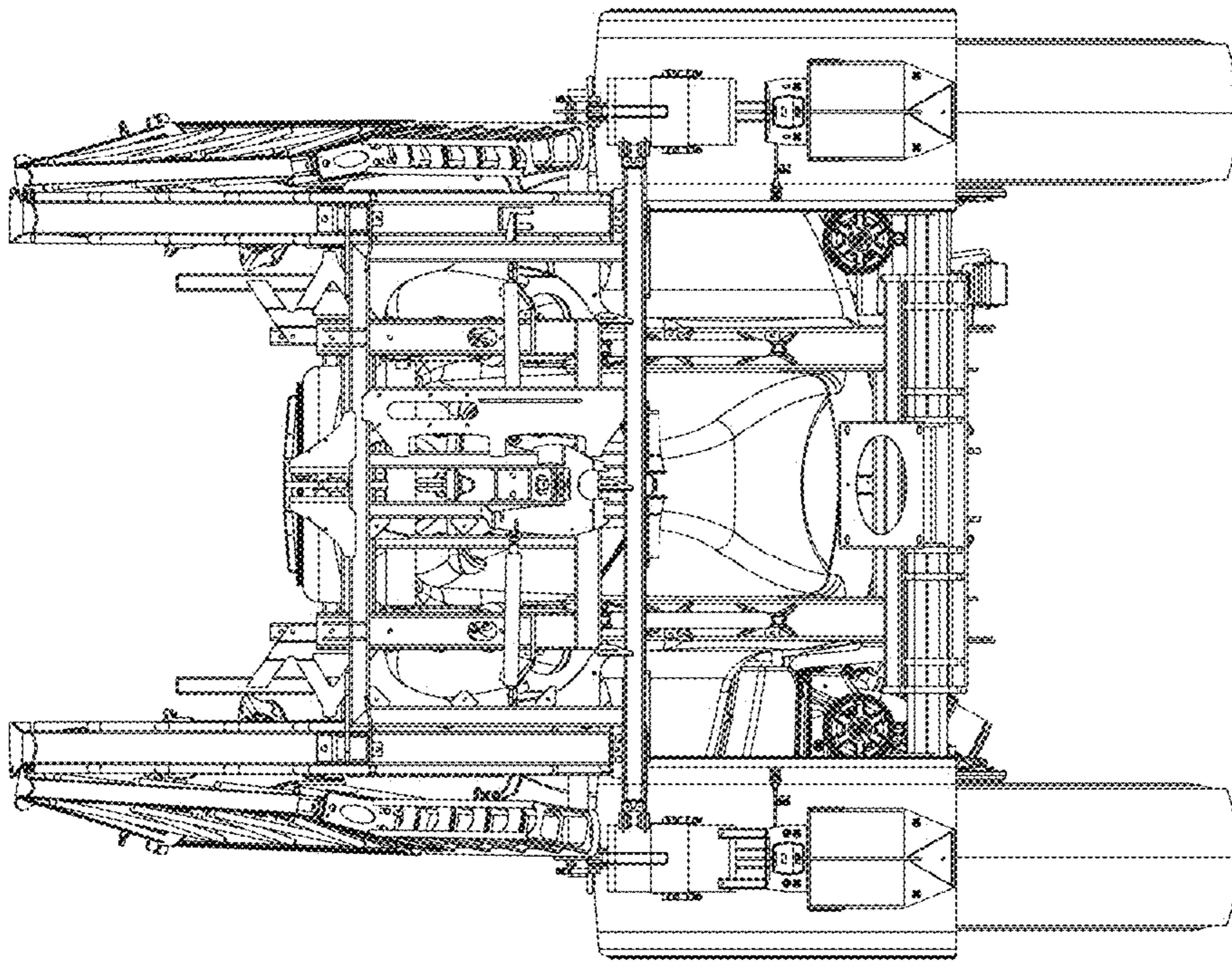


Fig. 11

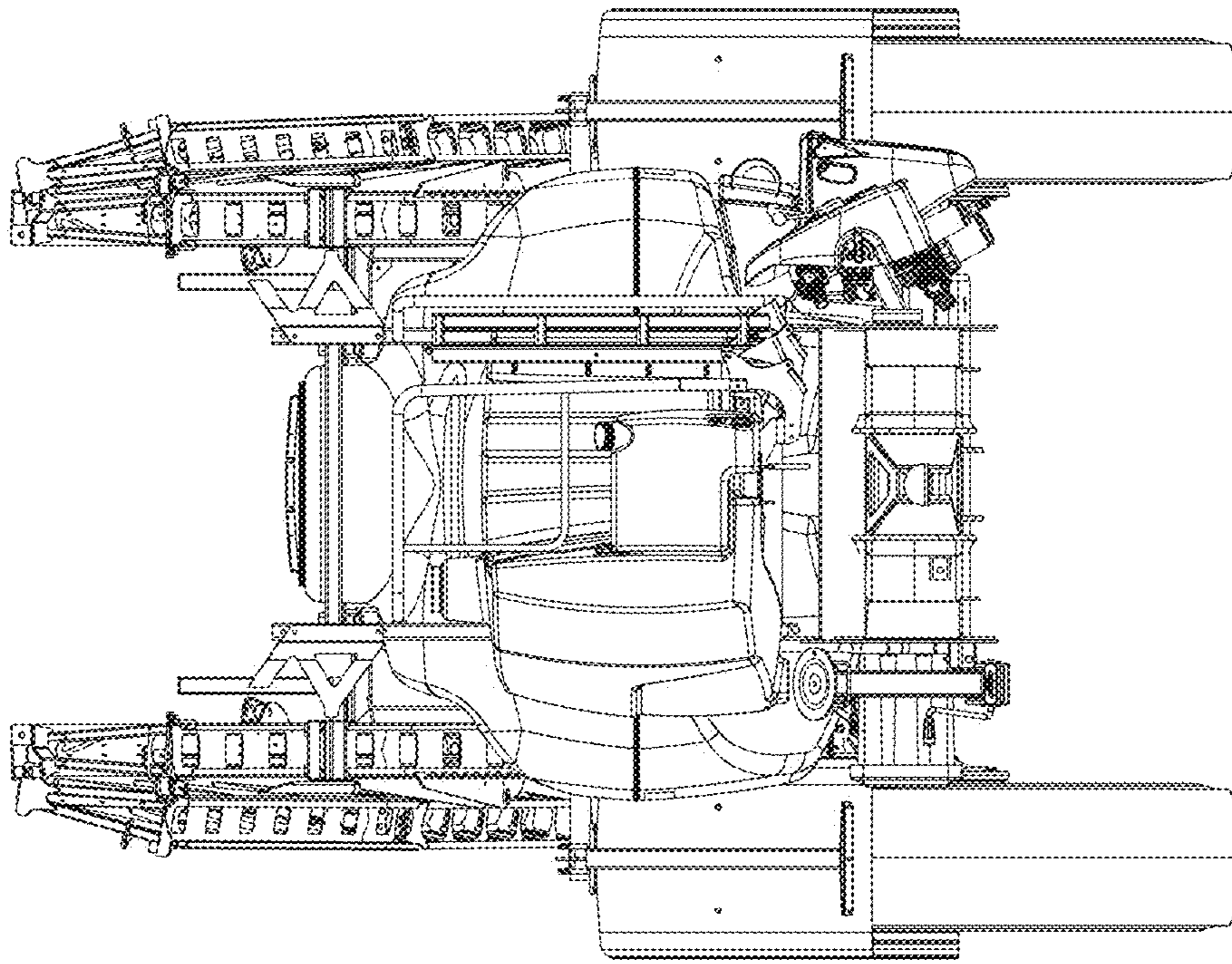


Fig. 12

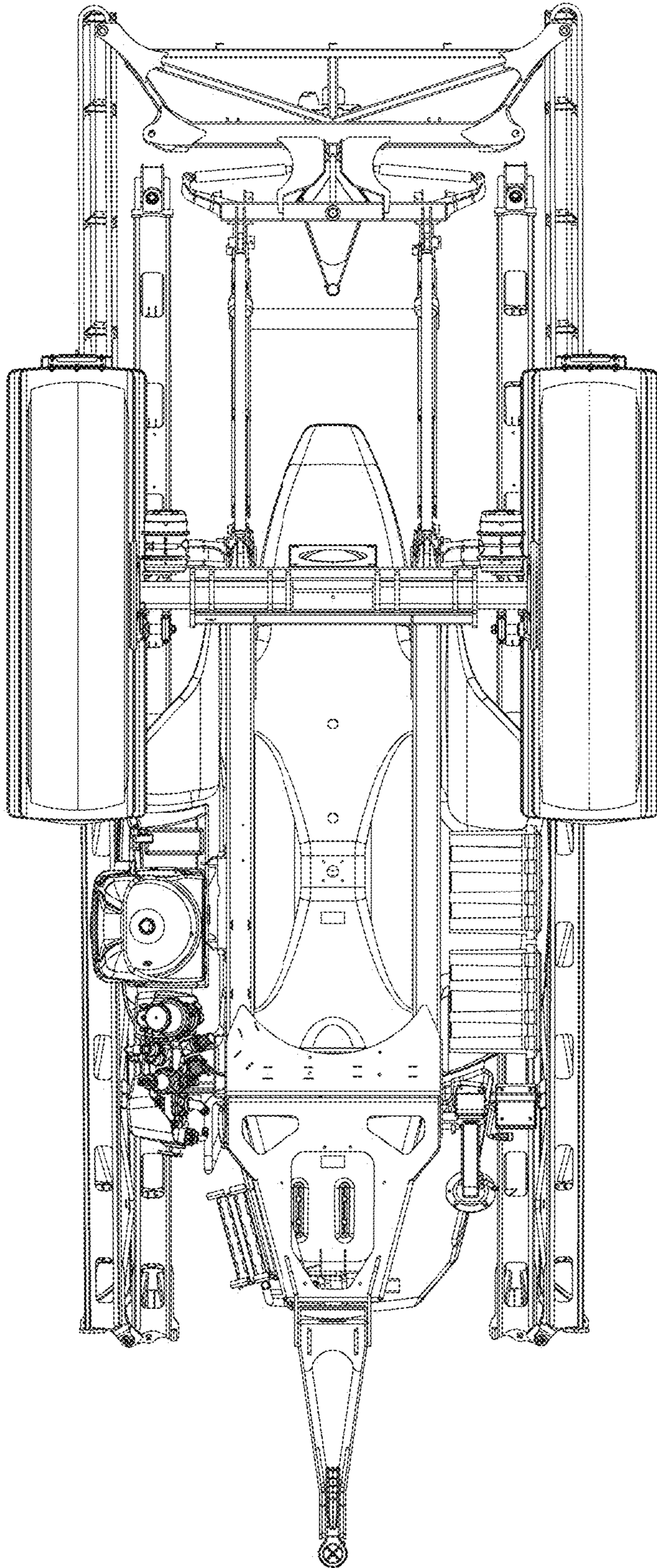


Fig. 13

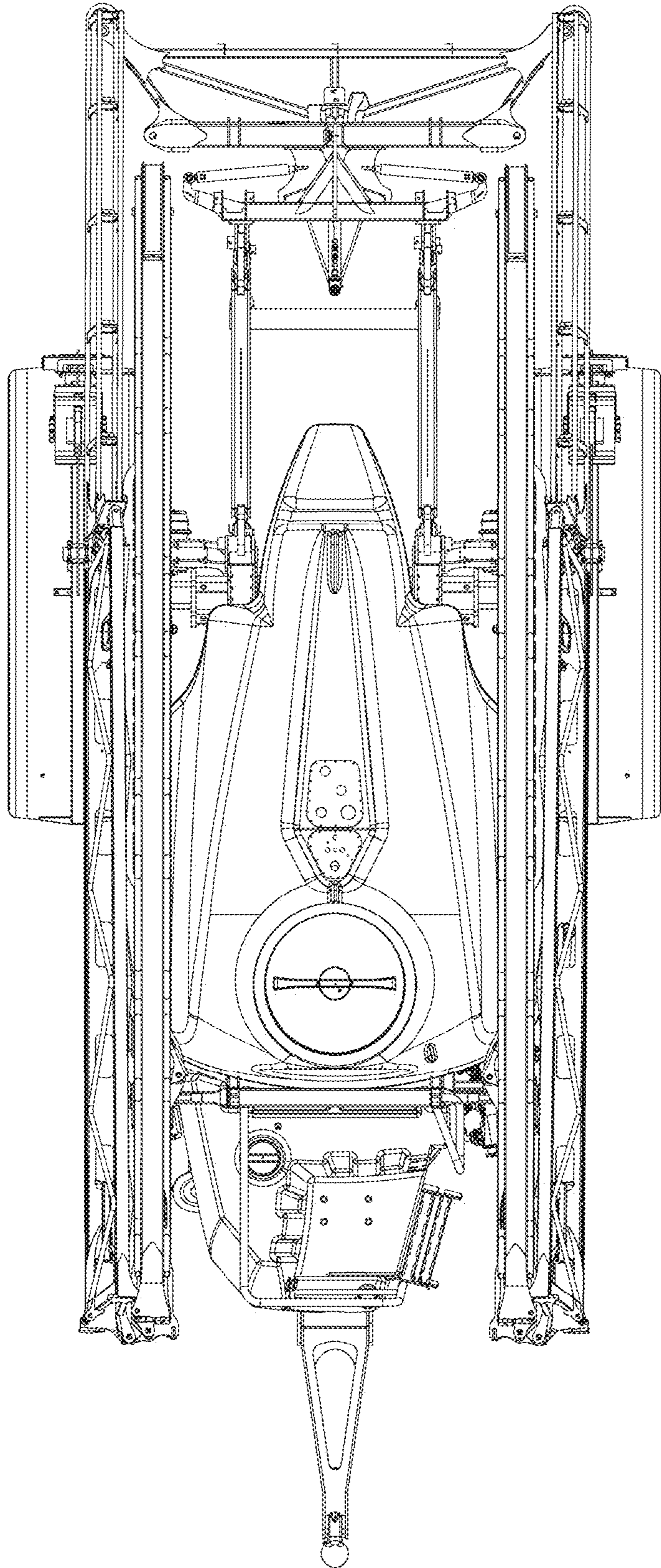


Fig. 14

UNITED STATES PATENT AND TRADEMARK OFFICE
CERTIFICATE OF CORRECTION

PATENT NO. : D884,750 S
APPLICATION NO. : 29/680595
DATED : May 19, 2020
INVENTOR(S) : Theodor Leeb

Page 1 of 1

It is certified that error appears in the above-identified patent and that said Letters Patent is hereby corrected as shown below:

On the Title Page

Under item (22) Filed: Feb. 18, 2019, please insert:

--(30) Foreign Application Priority Data

Aug. 21, 2018 (EM) 005616745-0001

Aug. 21, 2018 (EM) 005616745-0002--.

Signed and Sealed this
Nineteenth Day of April, 2022
Katherine Kelly Vidal

Katherine Kelly Vidal
Director of the United States Patent and Trademark Office