



US00D884749S

(12) **United States Design Patent**
Aune et al.

(10) **Patent No.:** **US D884,749 S**

(45) **Date of Patent:** **** May 19, 2020**

- (54) **OILFIELD HYDRATION UNIT**
- (71) Applicant: **Liberty Oilfield Services LLC**,
Denver, CO (US)
- (72) Inventors: **Roy Aune**, Denver, CO (US); **Jeffrey Brian Rother**, Oklahoma City, OK (US); **Kevin Thomas Hufnagel**, Oklahoma City, OK (US)
- (73) Assignee: **Liberty Oilfield Services, LLC**,
Denver, CO (US)
- (**) Term: **15 Years**
- (21) Appl. No.: **29/683,761**
- (22) Filed: **Mar. 15, 2019**

D283,226 S *	4/1986	Hornhardt	D15/10
5,231,828 A *	8/1993	Swearingen	A01F 15/0715
				100/5
D381,666 S *	7/1997	Del Zotto	D15/10
5,642,673 A *	7/1997	Lucky, Sr.	B60F 1/043
				104/279
D384,082 S *	9/1997	Lucky, Sr.	D15/10
D450,062 S *	11/2001	Spiers	D15/10
D478,096 S *	8/2003	Kim	D15/10
D600,253 S *	9/2009	Jacobs	D15/10
8,899,823 B2 *	12/2014	Oldham	C09K 8/62
				366/136
8,905,138 B2 *	12/2014	Lundstedt	E21B 43/24
				166/308.1
D737,872 S *	9/2015	Johansson	D15/123
D748,150 S *	1/2016	Shoemaker	D15/21
D751,608 S *	3/2016	Nishimura	D15/10

(Continued)

Primary Examiner — Mark A Goodwin
(74) *Attorney, Agent, or Firm* — Fennemore Craig, P.C.

Related U.S. Application Data

- (63) Continuation of application No. 29/612,897, filed on Aug. 4, 2017, now abandoned.
- (51) **LOC (12) Cl.** **15-03**
- (52) **U.S. Cl.**
USPC **D15/21**
- (58) **Field of Classification Search**
USPC D15/10, 21, 123, 27
CPC . C09K 8/62; C09K 8/68; B01F 5/0206; B01F 5/0606; B01F 5/10; B01F 5/106; B01F 5/0212; B01F 5/12; B01F 3/12; B01F 3/1271; B01F 2215/0081
See application file for complete search history.

References Cited

U.S. PATENT DOCUMENTS

D234,794 S *	4/1975	Kennicutt et al.	D15/21
D236,372 S *	8/1975	Dunn	D15/21
D253,535 S *	11/1979	Schmidt	D15/21

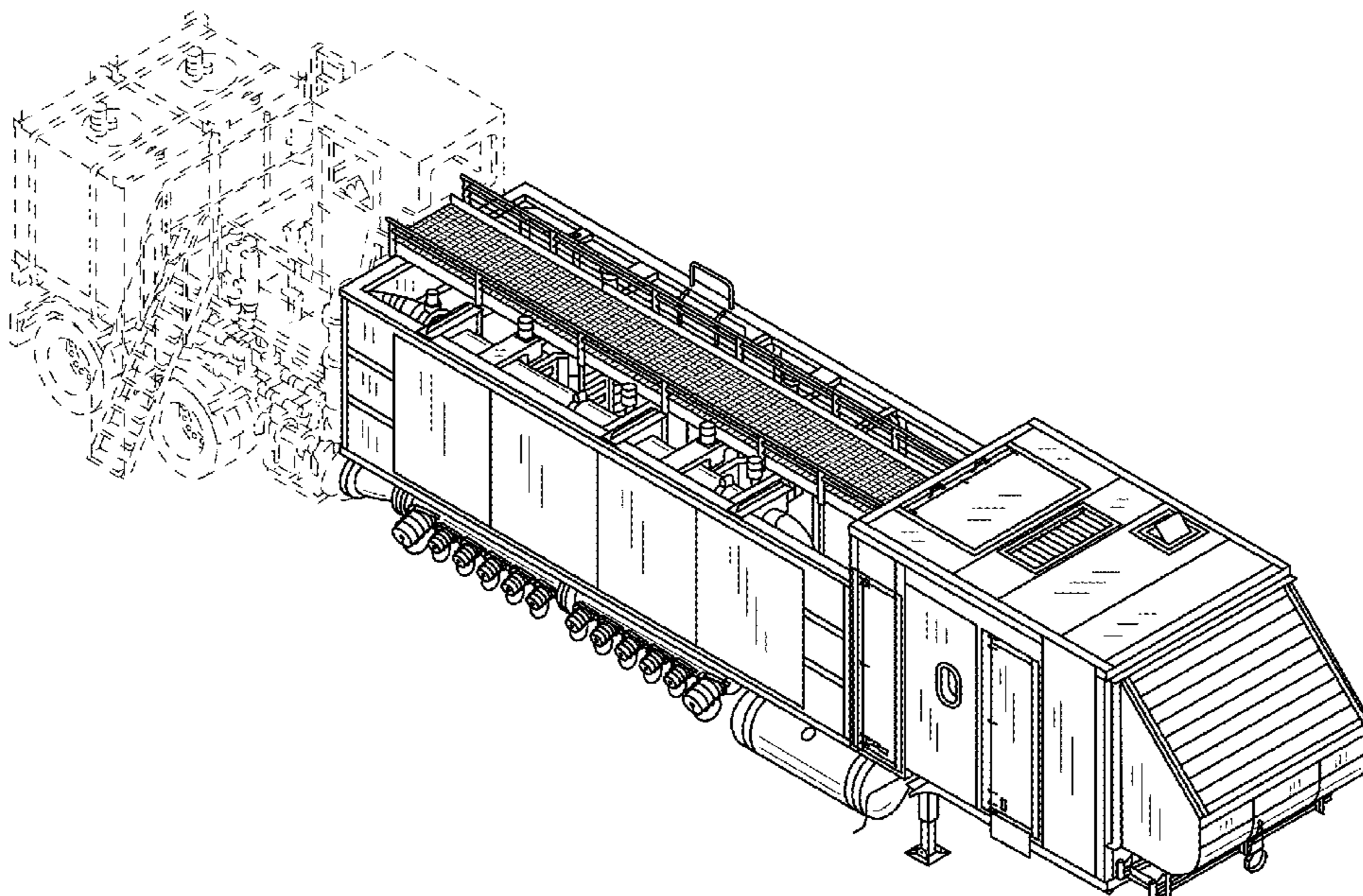
(57) **CLAIM**

The ornamental design for an oilfield hydration unit, as shown and described.

DESCRIPTION

FIG. 1 is a top left perspective view of an oilfield hydration unit that embodies the ornamental design;
FIG. 2 is a front elevation view of the oilfield hydration unit;
FIG. 3 is a rear elevation view of the oilfield hydration unit;
FIG. 4 is a left side elevation view of the oilfield hydration unit;
FIG. 5 is a right side elevation view of the oilfield hydration unit;
FIG. 6 is a top plan view of the oilfield hydration unit; and,
FIG. 7 is a bottom plan view of the oilfield hydration unit.
Dashed lines shown in the drawings illustrate unclaimed features of the ornamental design.

1 Claim, 6 Drawing Sheets



(56)

References Cited

U.S. PATENT DOCUMENTS

D756,419	S *	5/2016	Tateishi	D15/10
D760,807	S *	7/2016	Sutton	D15/10
9,764,497	B2 *	9/2017	Saffioti	B29B 7/60
9,840,897	B2 *	12/2017	Larson	E21B 43/26
9,863,216	B2 *	1/2018	Lundstedt	E21B 43/24
9,981,231	B2 *	5/2018	Oldham	C09K 8/62
10,024,140	B2 *	7/2018	Lundstedt	E21B 43/24
2007/0116546	A1 *	5/2007	Dearing	B60P 1/6436 414/482
2013/0142006	A1 *	6/2013	Saffioti	B29B 7/60 366/153.3
2013/0150268	A1 *	6/2013	Oldham	C09K 8/62 507/215
2013/0290064	A1 *	10/2013	Altamirano	G06Q 10/06316 705/7.26
2013/0312972	A1 *	11/2013	Lundstedt	E21B 43/24 166/308.1
2015/0083235	A1 *	3/2015	Larson	E21B 43/26 137/340
2015/0090437	A1 *	4/2015	Lundstedt	E21B 43/24 166/57
2015/0133348	A1 *	5/2015	Oldham	C09K 8/62 507/211
2016/0369609	A1 *	12/2016	Morris	E21B 43/26
2017/0328174	A1 *	11/2017	Lundstedt	E21B 43/24
2018/0001513	A1 *	1/2018	Saffioti	B29B 7/60
2018/0214829	A1 *	8/2018	Oldham	C09K 8/62
2018/0223640	A1 *	8/2018	Keihany	E21B 43/26

* cited by examiner

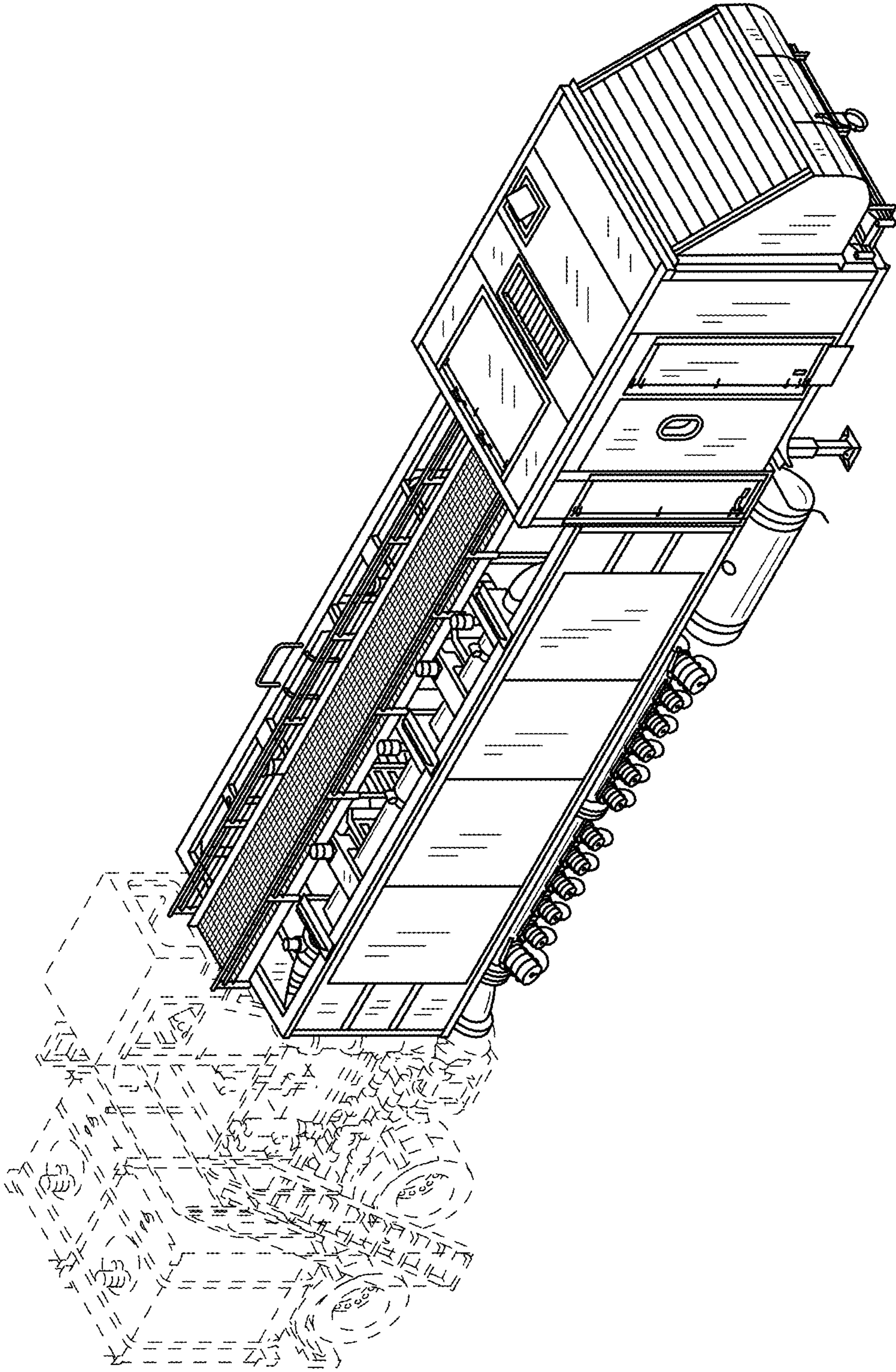


FIG.1

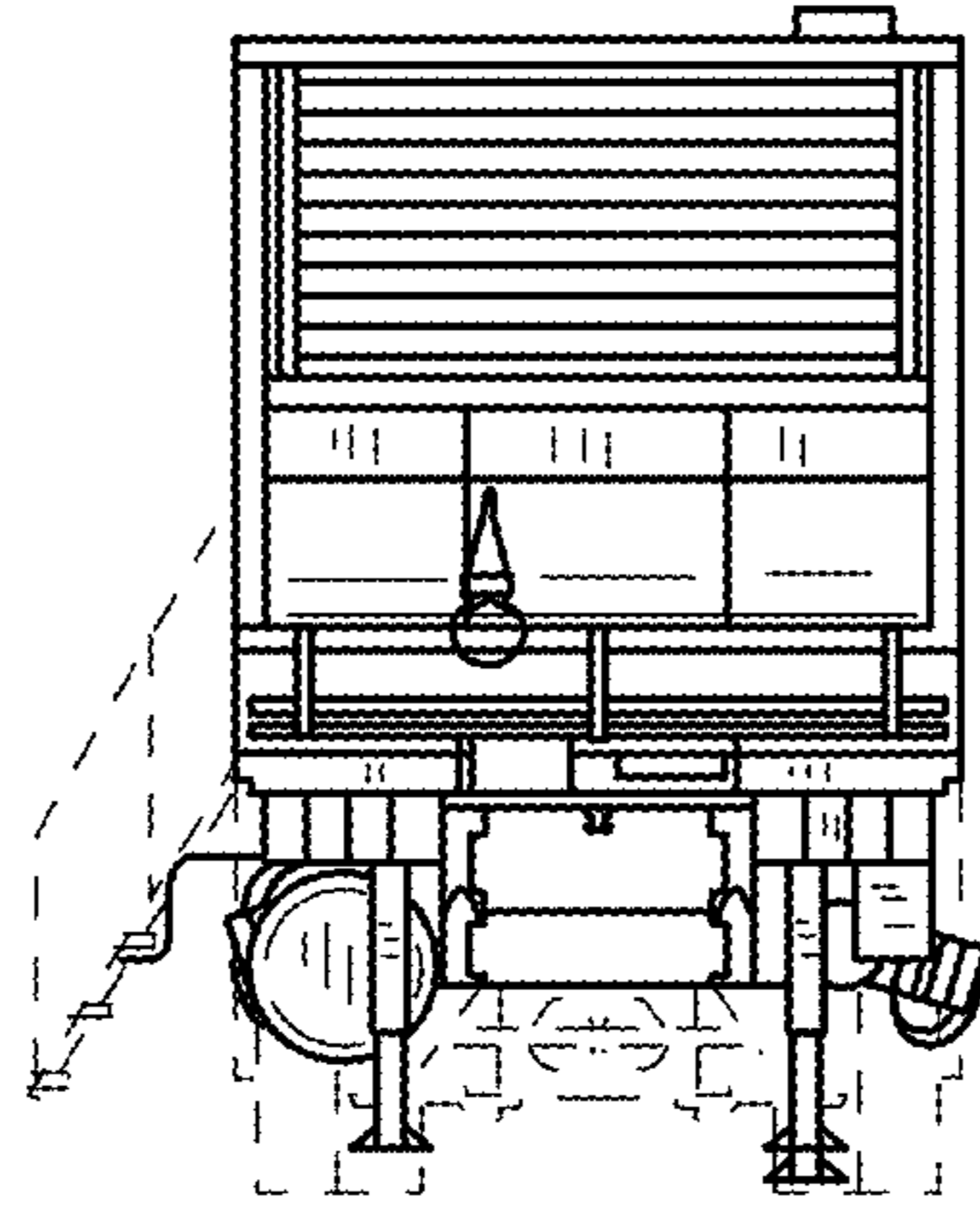


FIG. 2

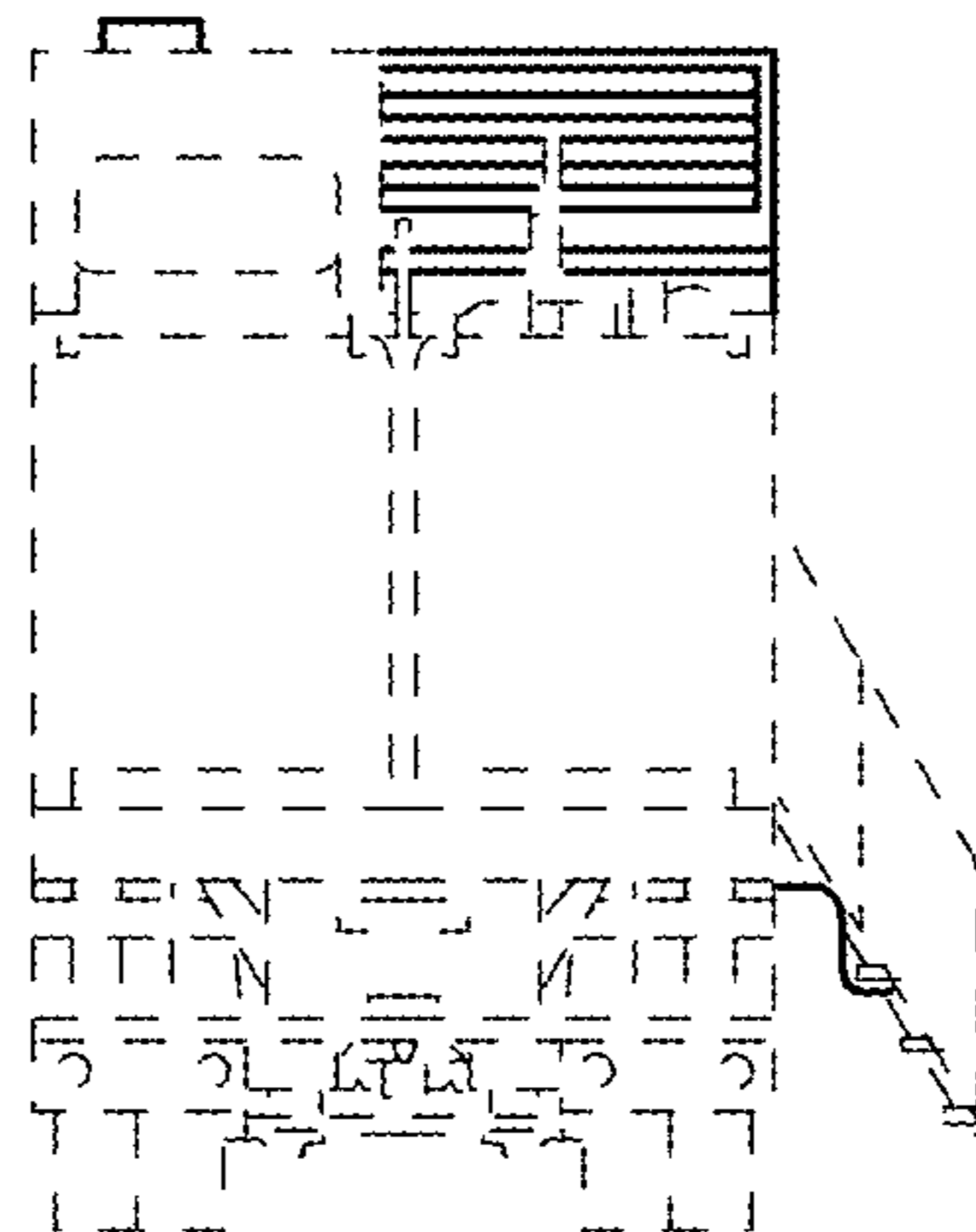


FIG. 3

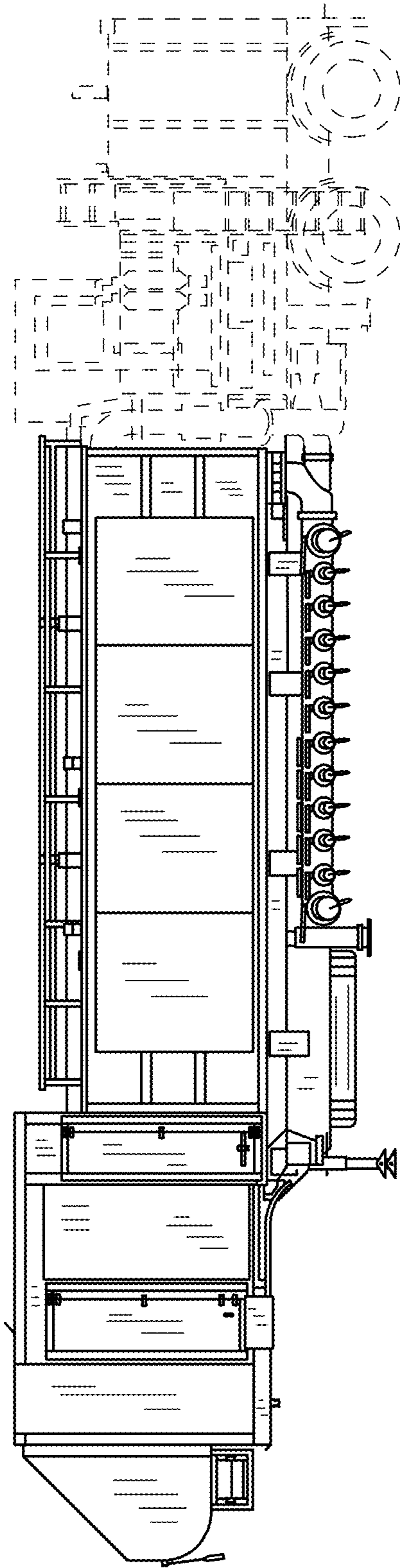


FIG.4

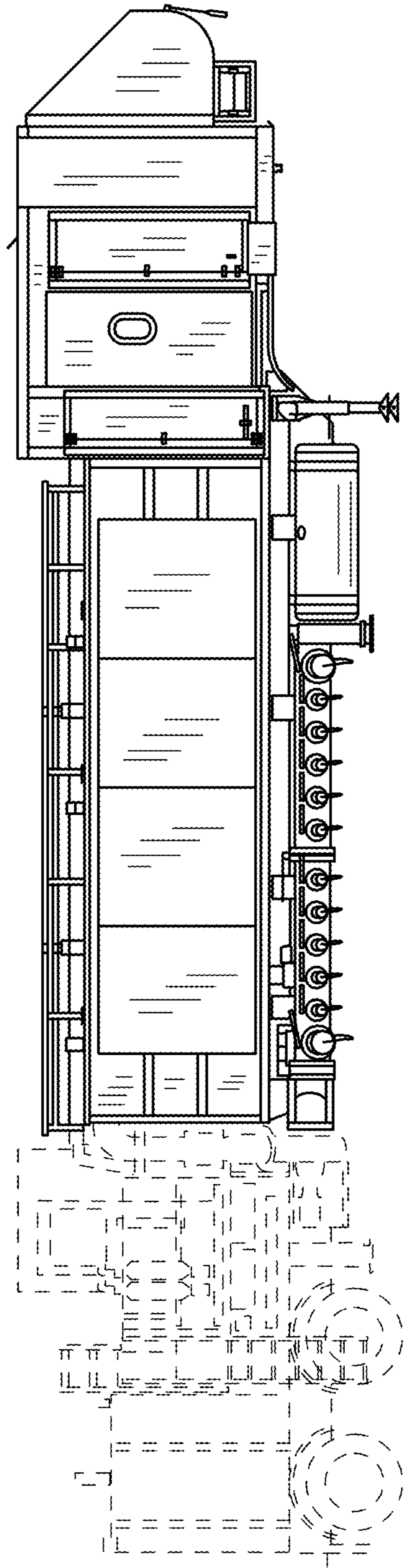


FIG.5

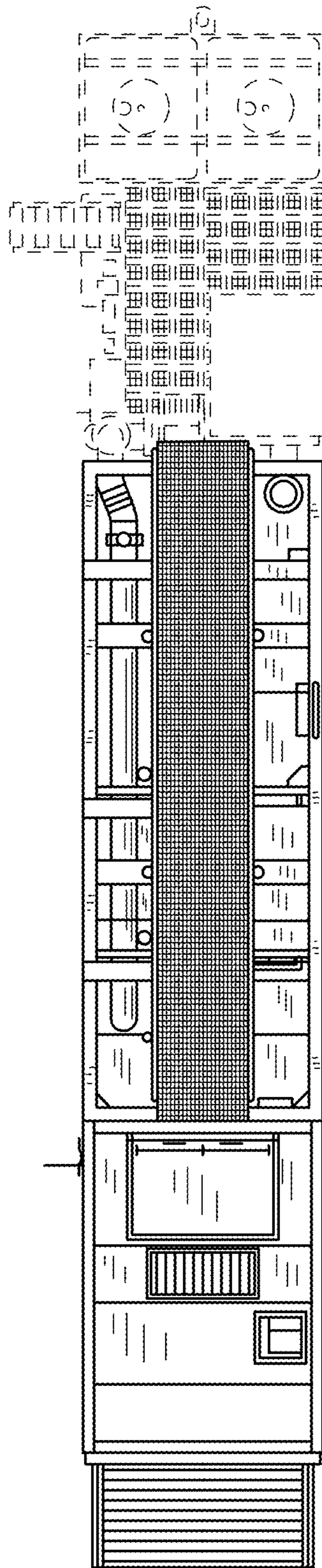


FIG.6

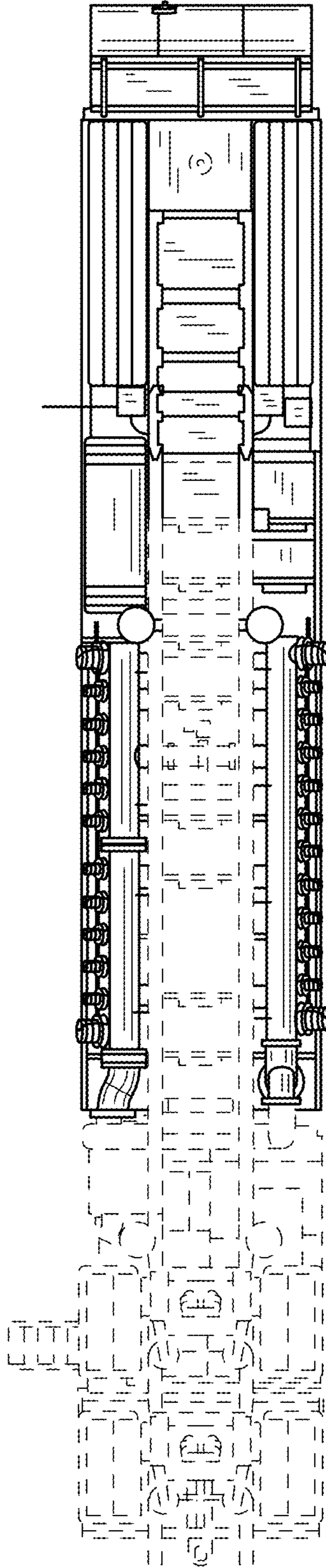


FIG. 7