



US00D884748S

(12) **United States Design Patent**
Yokoyama

(10) **Patent No.:** **US D884,748 S**
(45) **Date of Patent:** **** May 19, 2020**

(54) **AUTONOMOUS LAWN MOWER**
(71) Applicant: **HONDA MOTOR CO., LTD.**, Tokyo (JP)
(72) Inventor: **Yuichi Yokoyama**, Wako (JP)
(73) Assignee: **HONDA MOTOR CO., LTD.**, Tokyo (JP)
(**) Term: **15 Years**
(21) Appl. No.: **29/683,954**
(22) Filed: **Mar. 18, 2019**

D559,867 S * 1/2008 Abramson D15/14
D652,431 S * 1/2012 Naslund D15/14
D656,163 S * 3/2012 Johansson D15/14
D678,352 S * 3/2013 Maeda D15/14
D679,294 S * 4/2013 Tajik D15/14
D679,295 S * 4/2013 Tajik D15/14
D681,065 S * 4/2013 Maeda D15/14
D688,276 S * 8/2013 Naslund D15/14
D718,339 S * 11/2014 Damshak D15/14
D718,340 S * 11/2014 Damshak D15/14
D718,341 S * 11/2014 Gur D15/14
D718,793 S * 12/2014 Gur D15/14
D729,280 S * 5/2015 Naslund D15/14
D745,897 S * 12/2015 Mehra D15/14
D758,455 S * 6/2016 Maibach D15/14
D760,806 S * 7/2016 Cmich D15/14

(Continued)

(30) **Foreign Application Priority Data**

Sep. 28, 2018 (JP) 2018-021193

(51) **LOC (12) Cl.** **15-03**

(52) **U.S. Cl.**
USPC **D15/14; D15/17**

(58) **Field of Classification Search**

USPC D15/14, 17, 18; 56/11.9, 17.5, 13.4,
56/12.8, 16.7, 202, 255, 294, 295, 320.1,
56/320.2; 180/900, 89.1, 89.12
CPC A01D 34/008; A01D 34/81; A01D 34/416;
A01D 34/4166; A01D 34/4167; A01D
34/87; A01D 34/90; B60L 1/003; B60L
3/0061; B60L 11/1803; B60L 11/1805;
B60L 11/1877; B60L 15/20; B60L
2260/28; B60L 2200/40; B60L 2220/16;
B60L 2220/46; B60L 2240/36; B60L
2240/421; A01G 3/04; A01G 3/0435

See application file for complete search history.

(56) **References Cited**

U.S. PATENT DOCUMENTS

D420,365 S * 2/2000 Gunnar D15/14
D451,931 S * 12/2001 Abramson D15/14
D504,901 S * 5/2005 Wickstrom D15/14

Primary Examiner — Mark A Goodwin

(74) *Attorney, Agent, or Firm* — Westerman, Hattori,
Daniels & Adrian

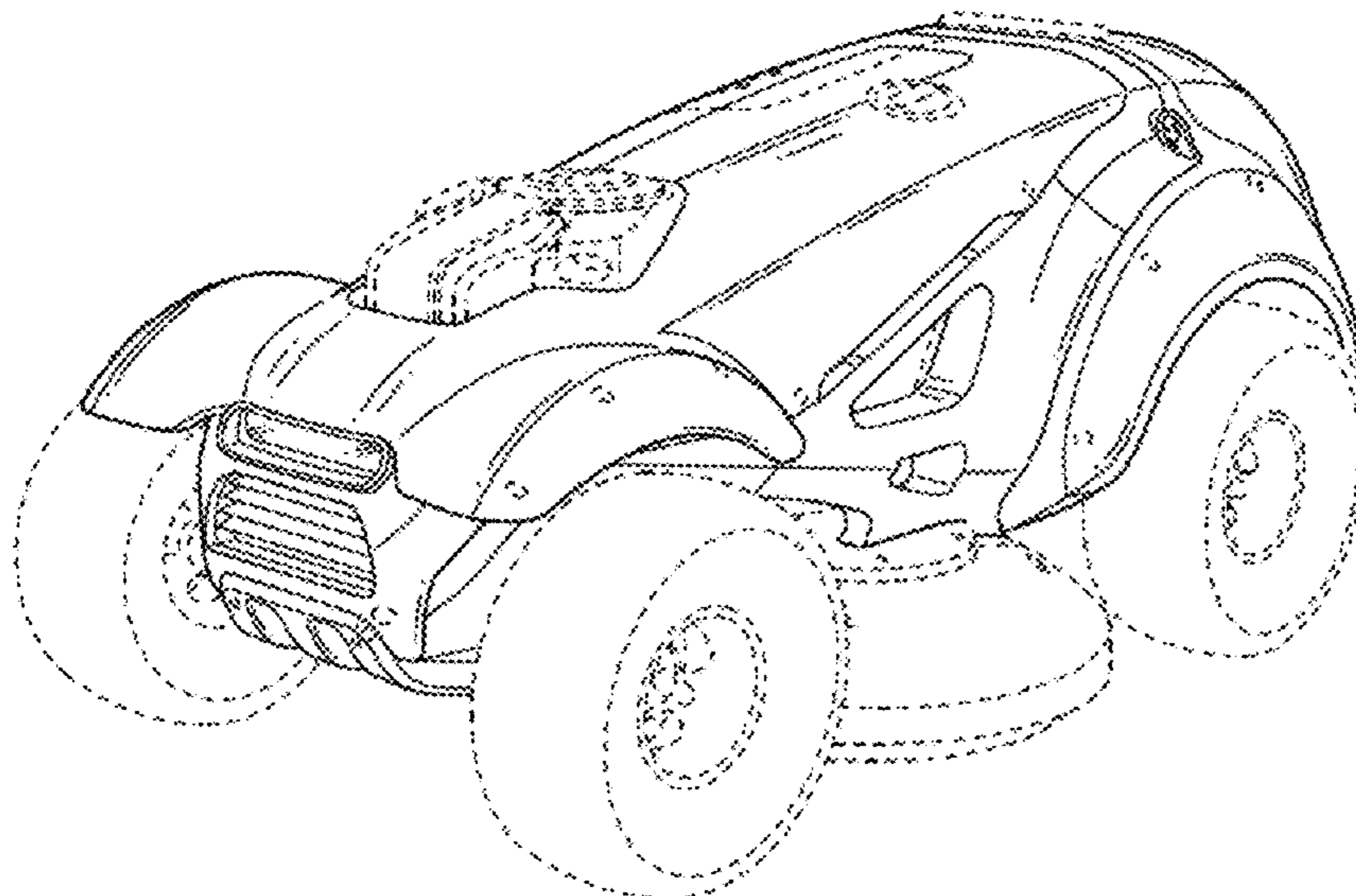
(57) **CLAIM**

The ornamental design for an autonomous lawn mower, as shown and described.

DESCRIPTION

FIG. 1 is a front and left perspective view of an autonomous lawn mower;
FIG. 2 is a front and right perspective view thereof;
FIG. 3 is a rear and left perspective view thereof;
FIG. 4 is a rear and right perspective view thereof;
FIG. 5 is a front elevation view thereof;
FIG. 6 is a rear elevation view thereof;
FIG. 7 is a left side elevation view thereof;
FIG. 8 is a right side elevation view thereof;
FIG. 9 is a top plan view thereof; and,
FIG. 10 is a bottom plan view thereof.
The broken lines in the drawings illustrate portions of the autonomous lawn mower that form no part of the claimed design.

1 Claim, 10 Drawing Sheets



(56)

References Cited

U.S. PATENT DOCUMENTS

D776,169 S *	1/2017	Cmich	D15/14
D781,926 S *	3/2017	Al-Hashimi	D15/14
D796,555 S *	9/2017	Landberg	D15/14
D852,232 S *	6/2019	Eidson	D15/14

* cited by examiner

FIG. 1

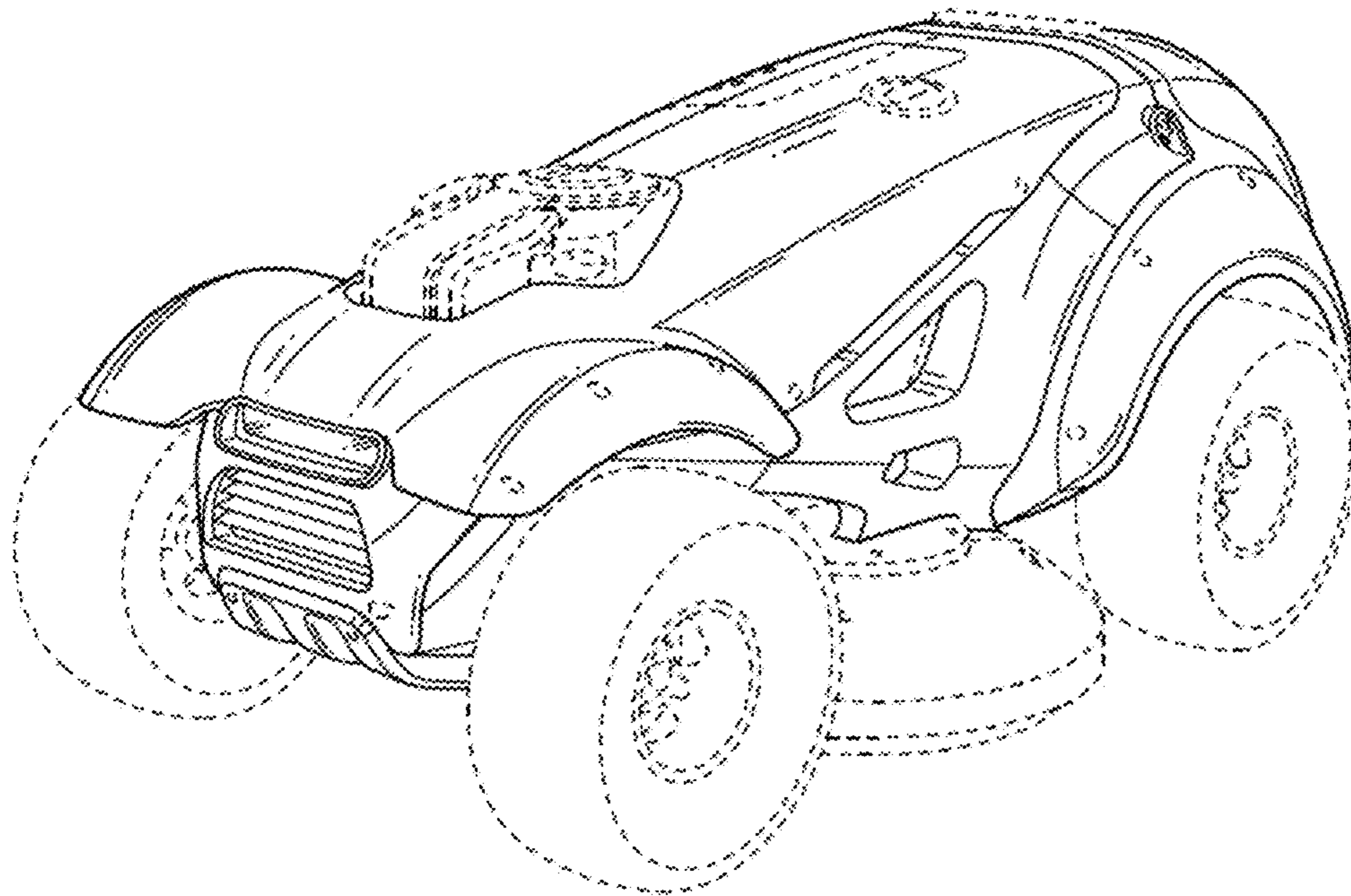


FIG. 2

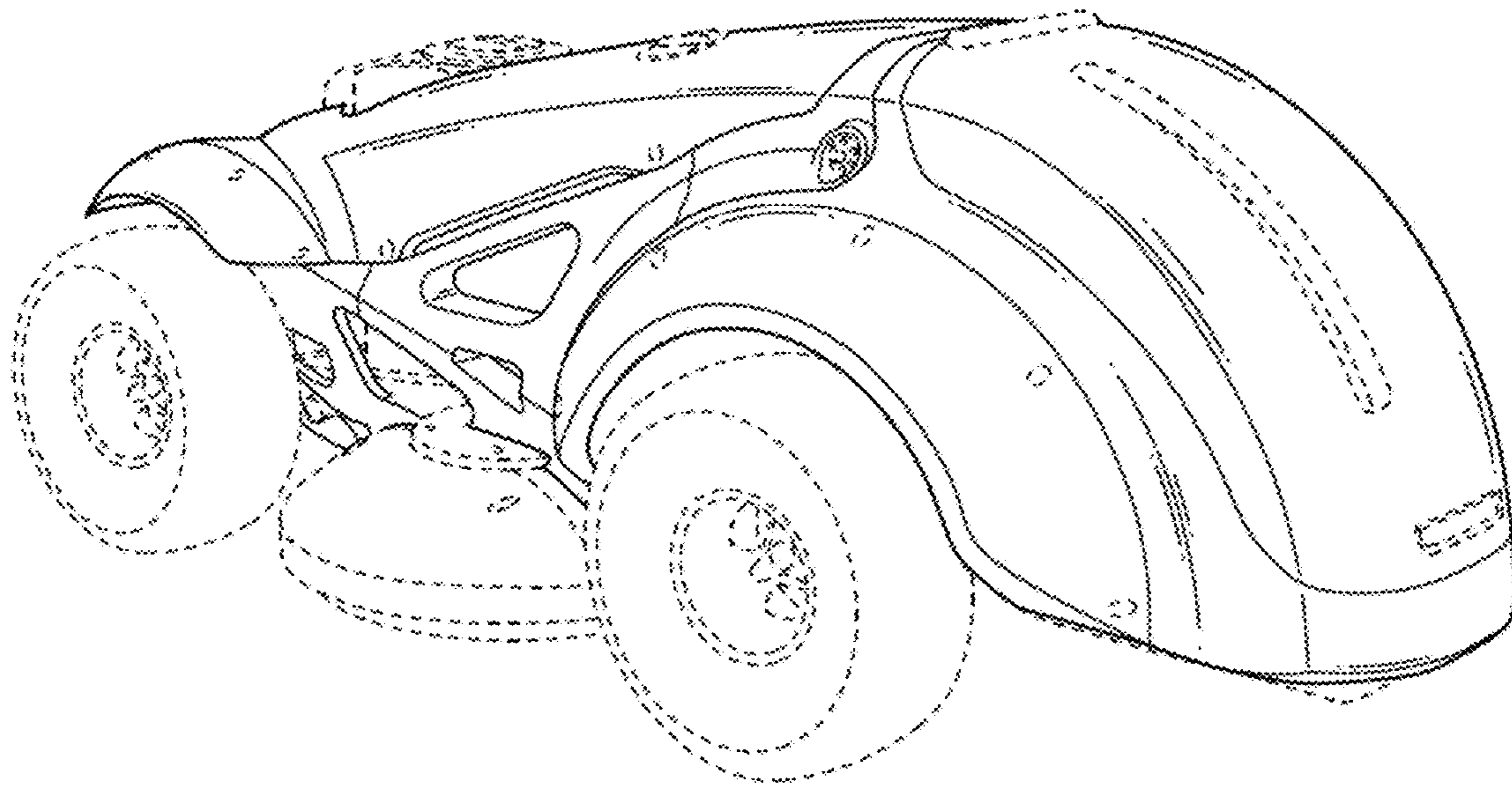


FIG. 3

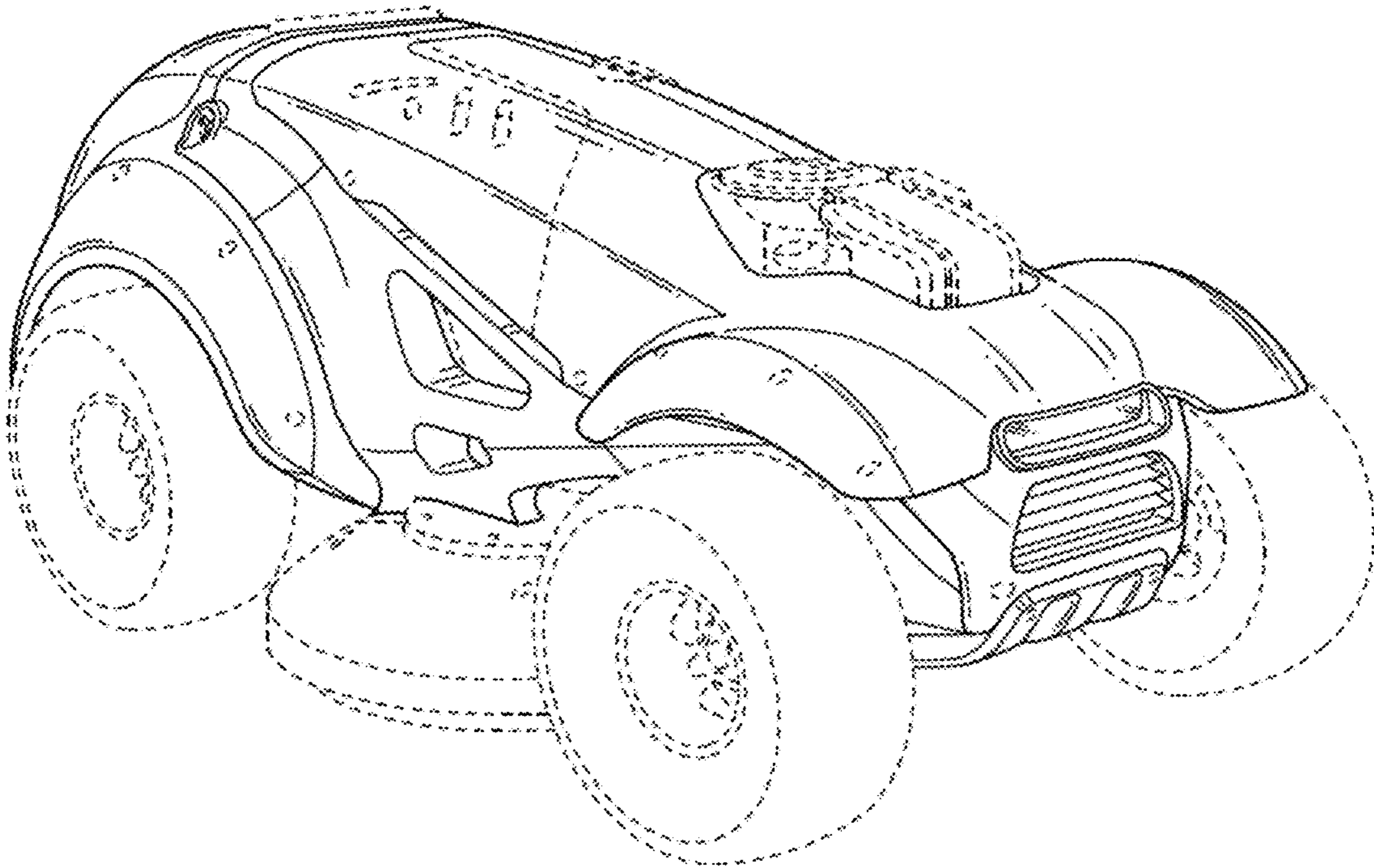


FIG. 4

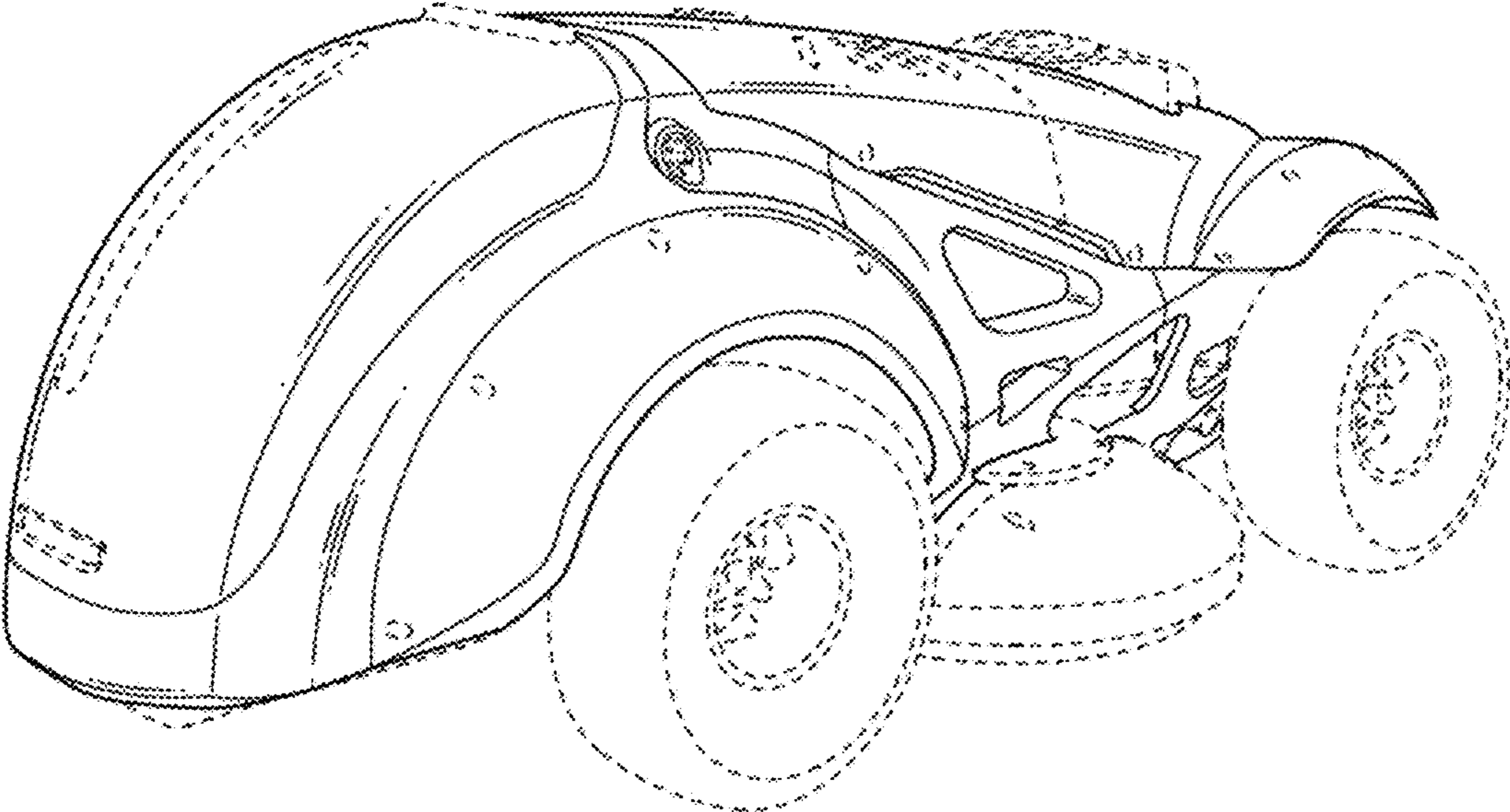


FIG. 5

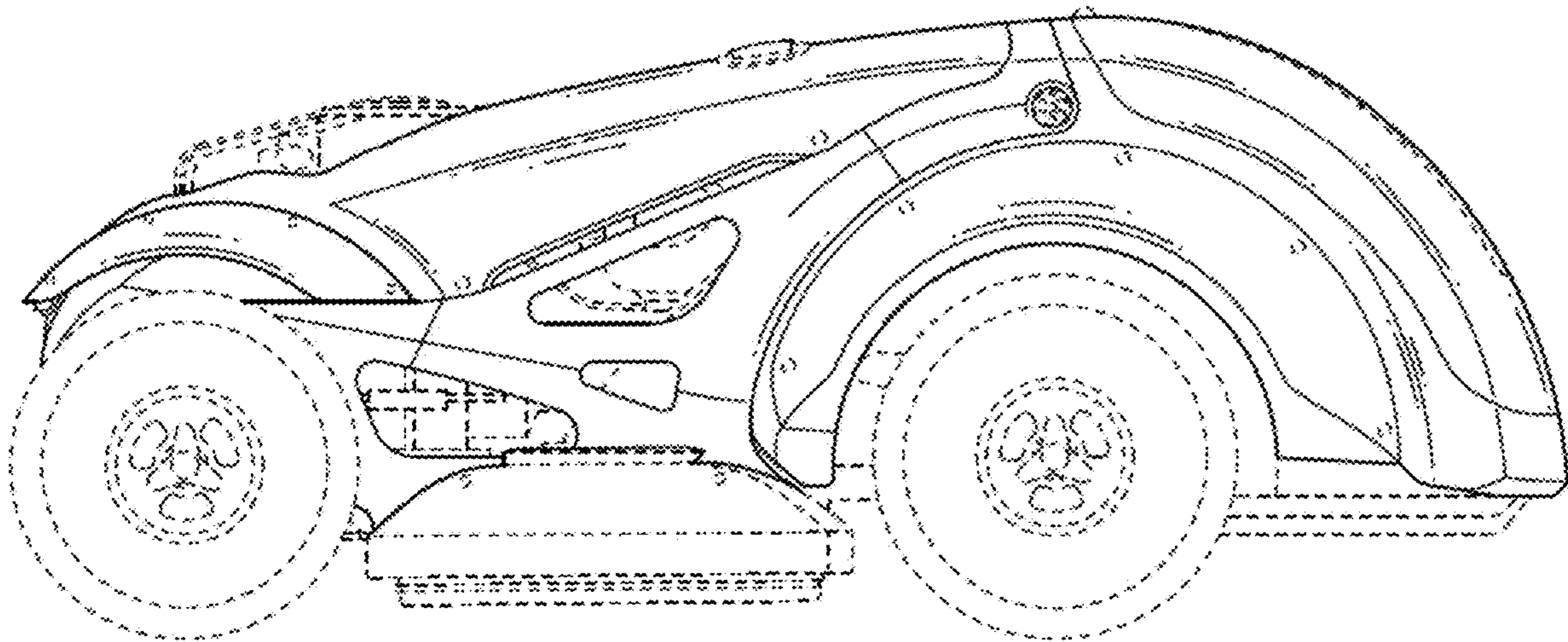


FIG. 6

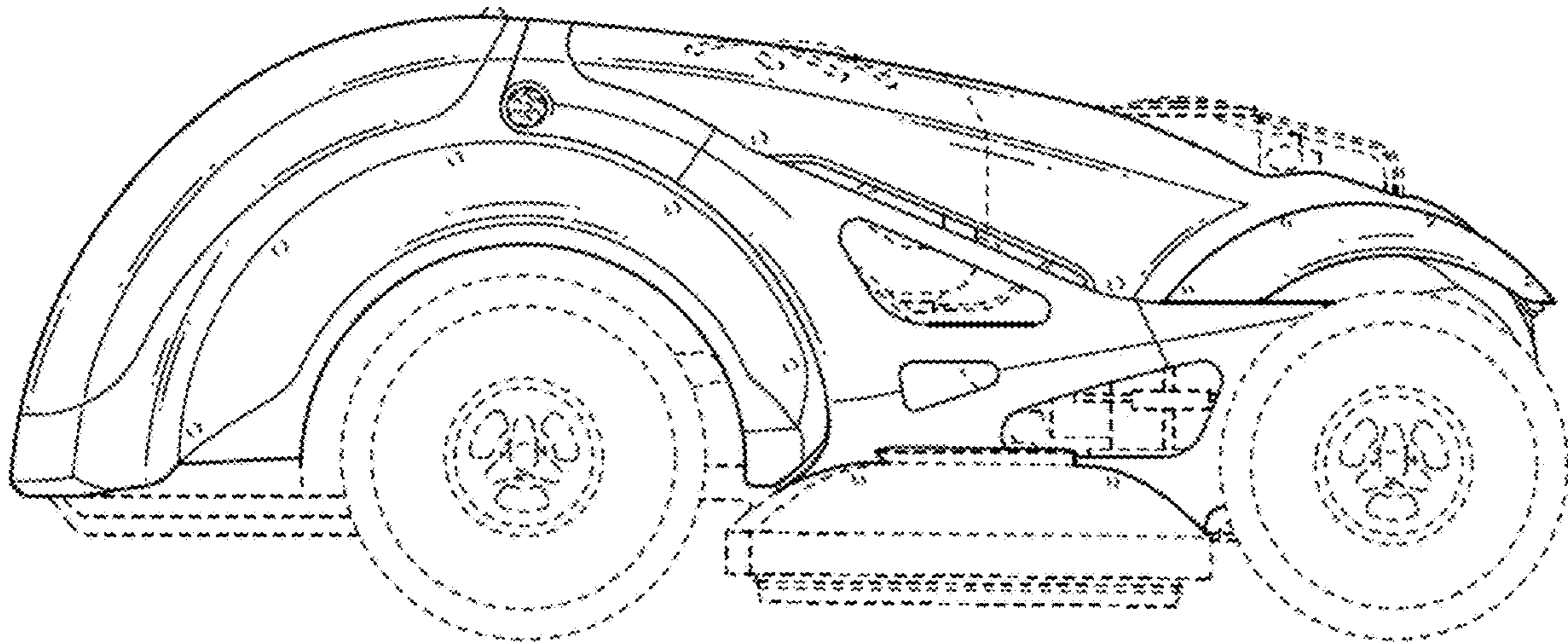


FIG. 7

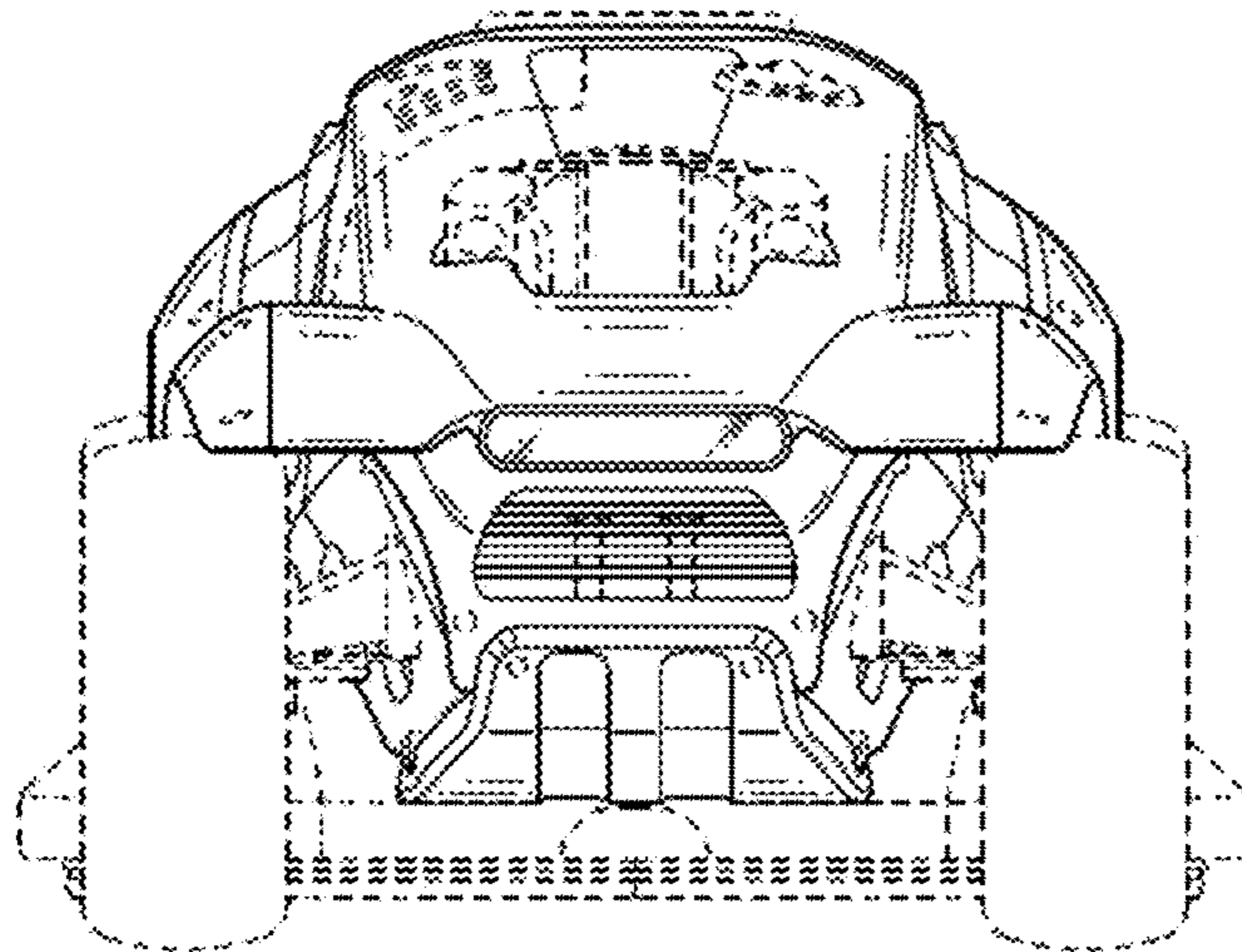


FIG. 8

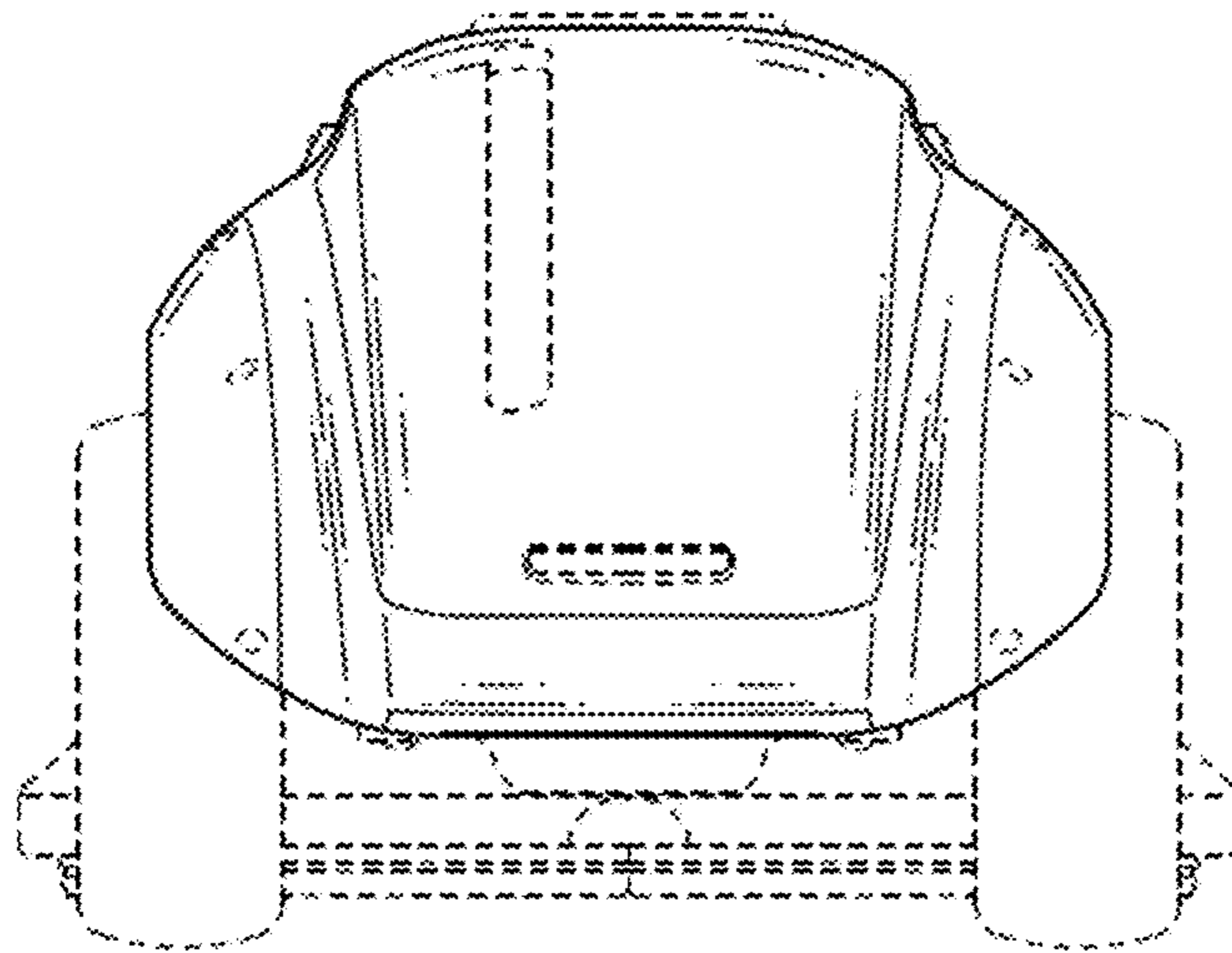


FIG. 9

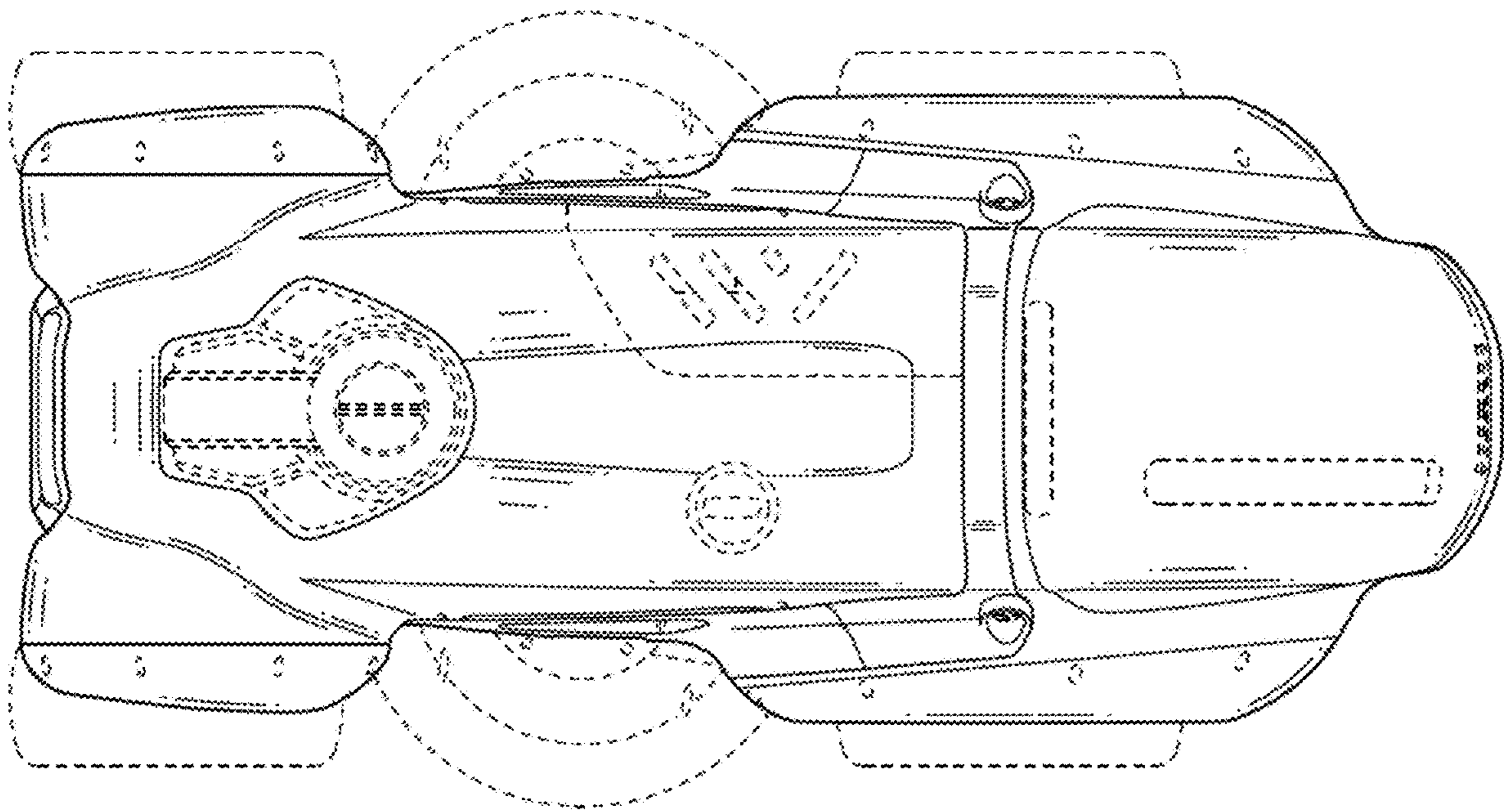


FIG. 10

