



US00D884744S

(12) **United States Design Patent** (10) **Patent No.:** **US D884,744 S**  
**Jensen et al.** (45) **Date of Patent:** **\*\* May 19, 2020**

(54) **PUMP**

(71) Applicant: **Grundfos Holding a/s**, Bjerringbro (DK)

(72) Inventors: **Niels Due Jensen**, Bjerringbro (DK); **Steen Mikkelsen**, Bjerringbro (DK)

(73) Assignee: **GRUNDFOS HOLDING A/S**, Bjerringbro (DK)

(\*\*) Term: **15 Years**

(21) Appl. No.: **29/603,371**

(22) Filed: **May 9, 2017**

(30) **Foreign Application Priority Data**

Nov. 10, 2016 (EM) ..... 003456946

(51) **LOC (12) Cl.** ..... **15-03**

(52) **U.S. Cl.**  
USPC ..... **D15/7**

(58) **Field of Classification Search**  
USPC ..... D15/7-9; D23/225, 231, 232  
(Continued)

(56) **References Cited**

**U.S. PATENT DOCUMENTS**

D284,380 S \* 6/1986 Berg ..... D15/7  
D471,561 S \* 3/2003 Kohsaka ..... D15/7  
(Continued)

*Primary Examiner* — Khawaja Anwar

(74) *Attorney, Agent, or Firm* — McGlew and Tuttle, P.C.

(57) **CLAIM**

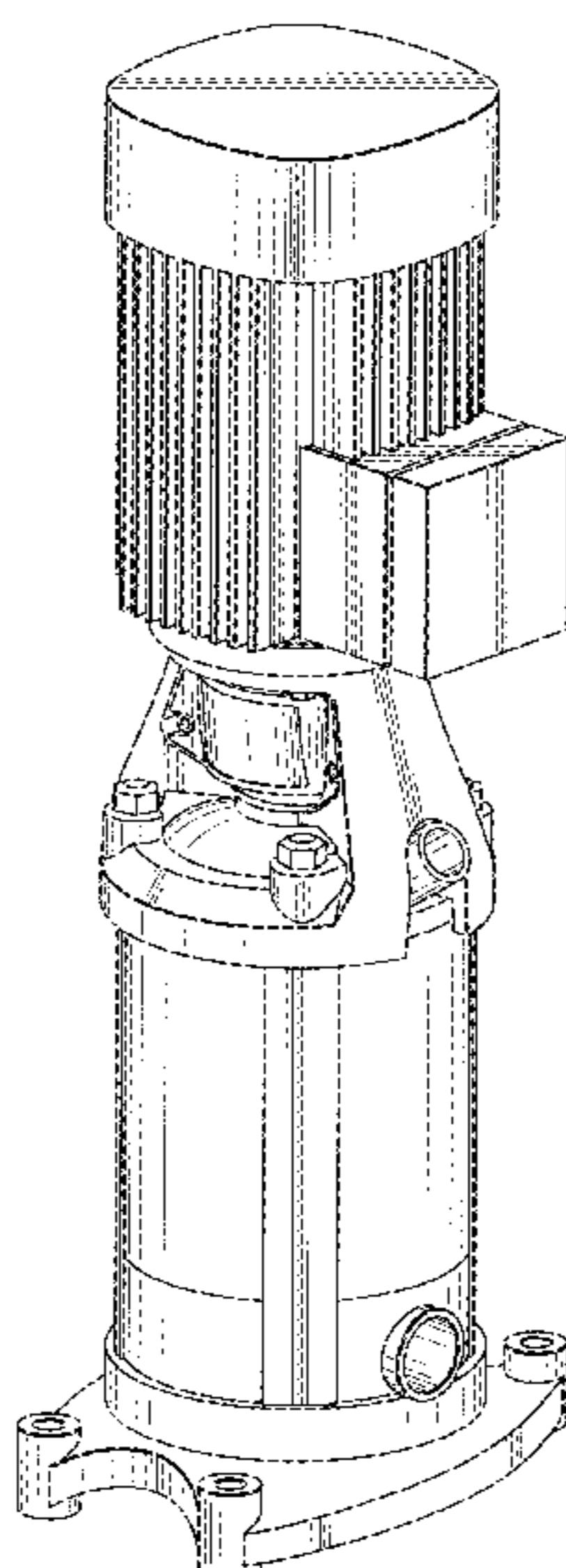
The ornamental design for a pump, as shown and described.

**DESCRIPTION**

FIG. 1 is a perspective view of the first embodiment of my design;

FIG. 2 is a front view of the design of FIG. 1;  
FIG. 3 is a rear view of the design of FIG. 1;  
FIG. 4 is a left side view of the design of FIG. 1;  
FIG. 5 is a right side view of the design of FIG. 1;  
FIG. 6 is a top view of the design of FIG. 1;  
FIG. 7 is a bottom view of the design of FIG. 1;  
FIG. 8 is a perspective view of the second embodiment of my design;  
FIG. 9 is a front view of the design of FIG. 8;  
FIG. 10 is a rear view of the design of FIG. 8;  
FIG. 11 is a left side view of the design of FIG. 8;  
FIG. 12 is a right side view of the design of FIG. 8;  
FIG. 13 is a top view of the design of FIG. 8;  
FIG. 14 is a bottom view of the design of FIG. 8;  
FIG. 15 is a perspective view of the third embodiment of my design;  
FIG. 16 is a front view of the design of FIG. 15;  
FIG. 17 is a rear view of the design of FIG. 15;  
FIG. 18 is a left side view of the design of FIG. 15;  
FIG. 19 is a right side view of the design of FIG. 15;  
FIG. 20 is a top view of the design of FIG. 15;  
FIG. 21 is a bottom view of the design of FIG. 15;  
FIG. 22 is a perspective view of the fourth embodiment of my design;  
FIG. 23 is a front view of the design of FIG. 22;  
FIG. 24 is a rear view of the design of FIG. 22;  
FIG. 25 is a left side view of the design of FIG. 22;  
FIG. 26 is a right side view of the design of FIG. 22;  
FIG. 27 is a top view of the design of FIG. 22;  
FIG. 28 is a bottom view of the design of FIG. 22;  
FIG. 29 is a perspective view of the fifth embodiment of my design;  
FIG. 30 is a front view of the design of FIG. 29;  
FIG. 31 is a rear view of the design of FIG. 29;  
FIG. 32 is a left side view of the design of FIG. 29;  
FIG. 33 is a right side view of the design of FIG. 29;  
FIG. 34 is a top view of the design of FIG. 29; and,  
FIG. 35 is a bottom view of the design of FIG. 29.

**1 Claim, 30 Drawing Sheets**



(58) **Field of Classification Search**

CPC ..... F02M 37/04; F02M 37/14; F04B 53/92;  
F04B 1/005; F04D 13/06; F04D 29/22;  
F04D 29/046; F04D 29/2266

See application file for complete search history.

(56) **References Cited**

U.S. PATENT DOCUMENTS

D558,232	S	*	12/2007	Wang	.....	D15/7
D609,595	S	*	2/2010	Soderstrom	.....	D15/7
D647,537	S	*	10/2011	Mehnert	.....	D15/7
D649,561	S	*	11/2011	Bauck	.....	D15/7
D652,844	S	*	1/2012	Hanitsch	.....	D15/7
D667,845	S	*	9/2012	Moysi	.....	D15/7
D668,684	S	*	10/2012	Noguchi	.....	D15/9
D677,282	S	*	3/2013	Soja	.....	D15/7
D696,695	S	*	12/2013	Sofussen	.....	D15/7
D696,696	S	*	12/2013	Sofussen	.....	D15/7
D742,928	S	*	11/2015	West	.....	D15/7
D771,148	S	*	11/2016	Soja	.....	D15/7
D797,154	S	*	9/2017	Fujiwara	.....	D15/7
D803,891	S	*	11/2017	Timmer	.....	D15/7
D839,314	S	*	1/2019	Lee	.....	D15/7

\* cited by examiner

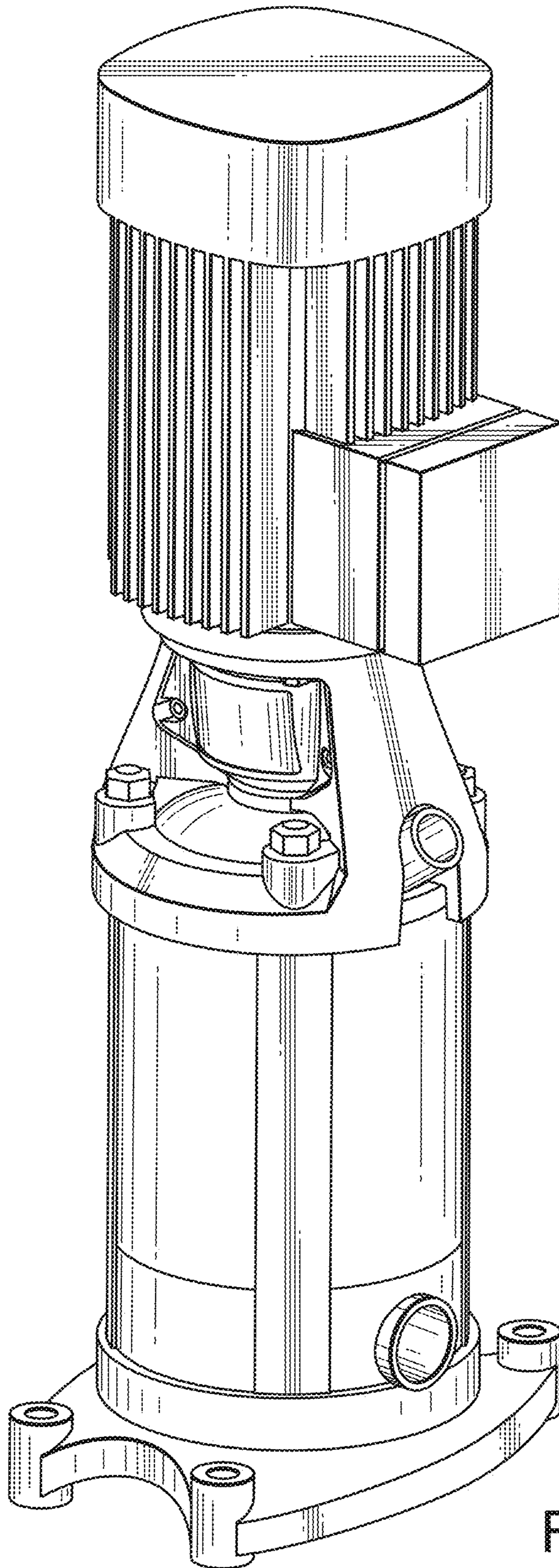


FIG. 1

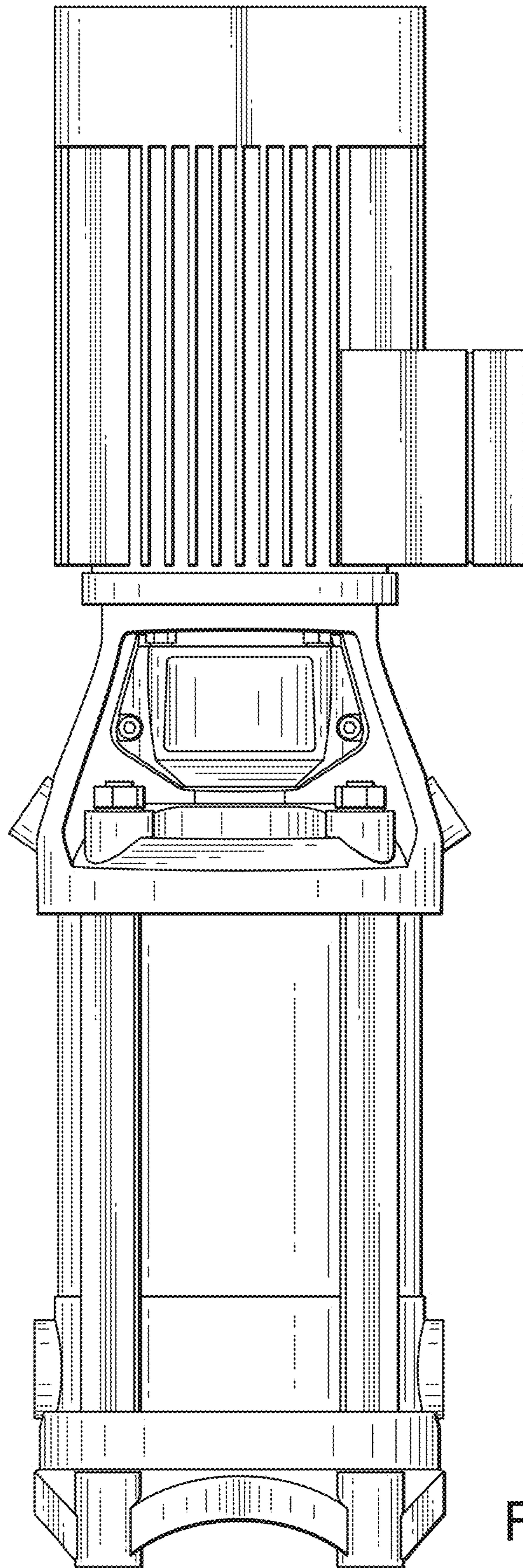


FIG. 2

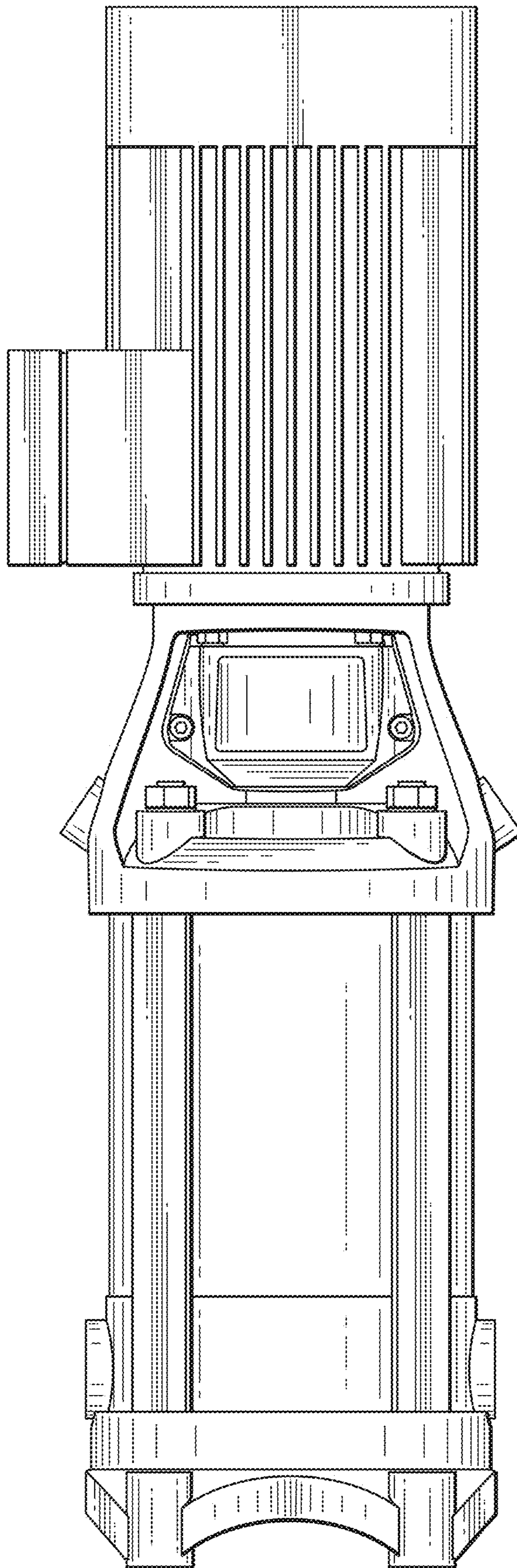


FIG. 3

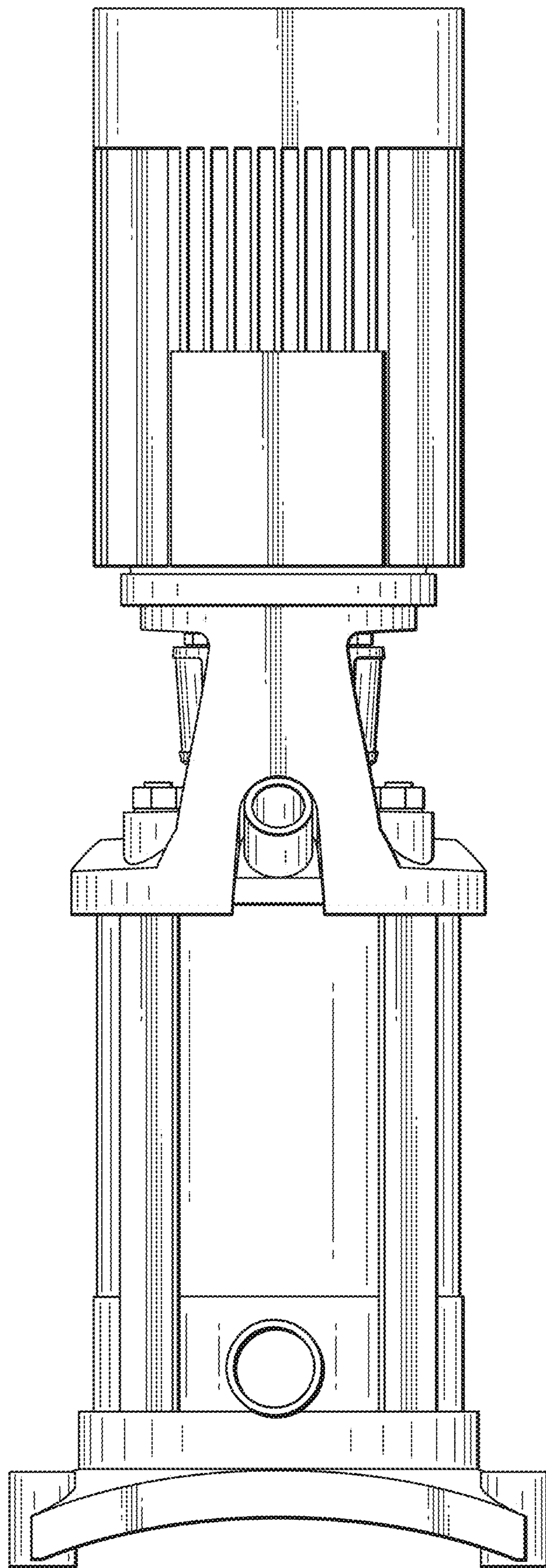


FIG. 4

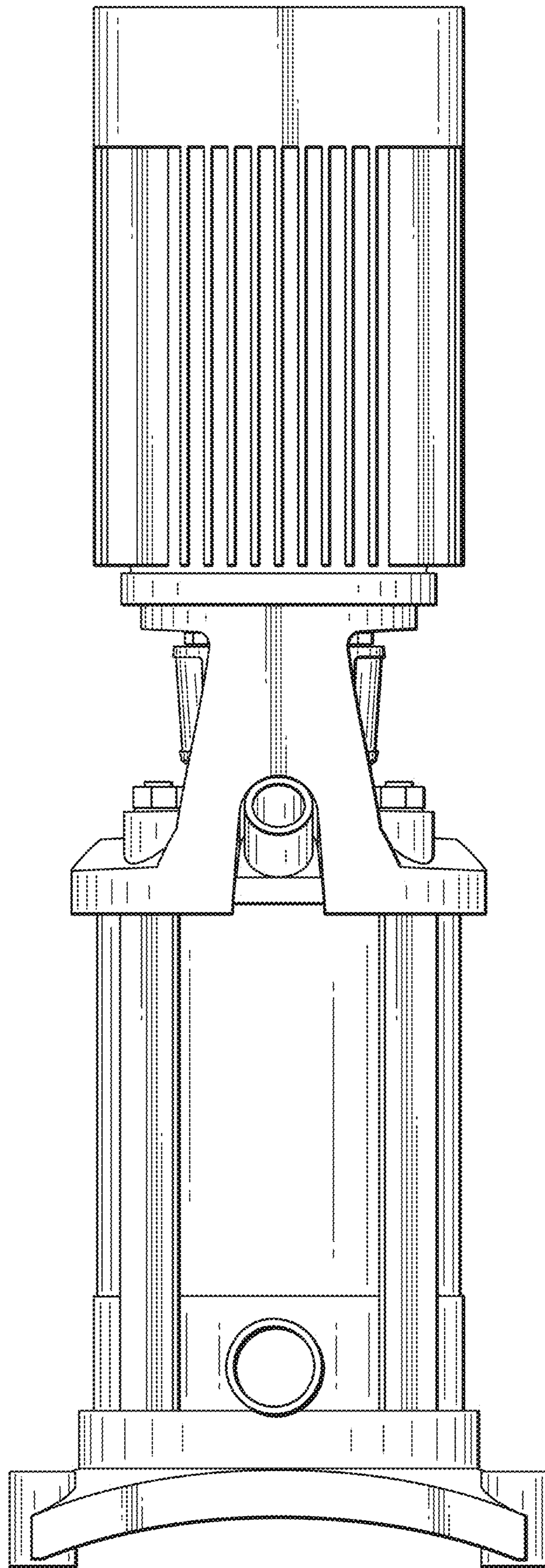


FIG. 5

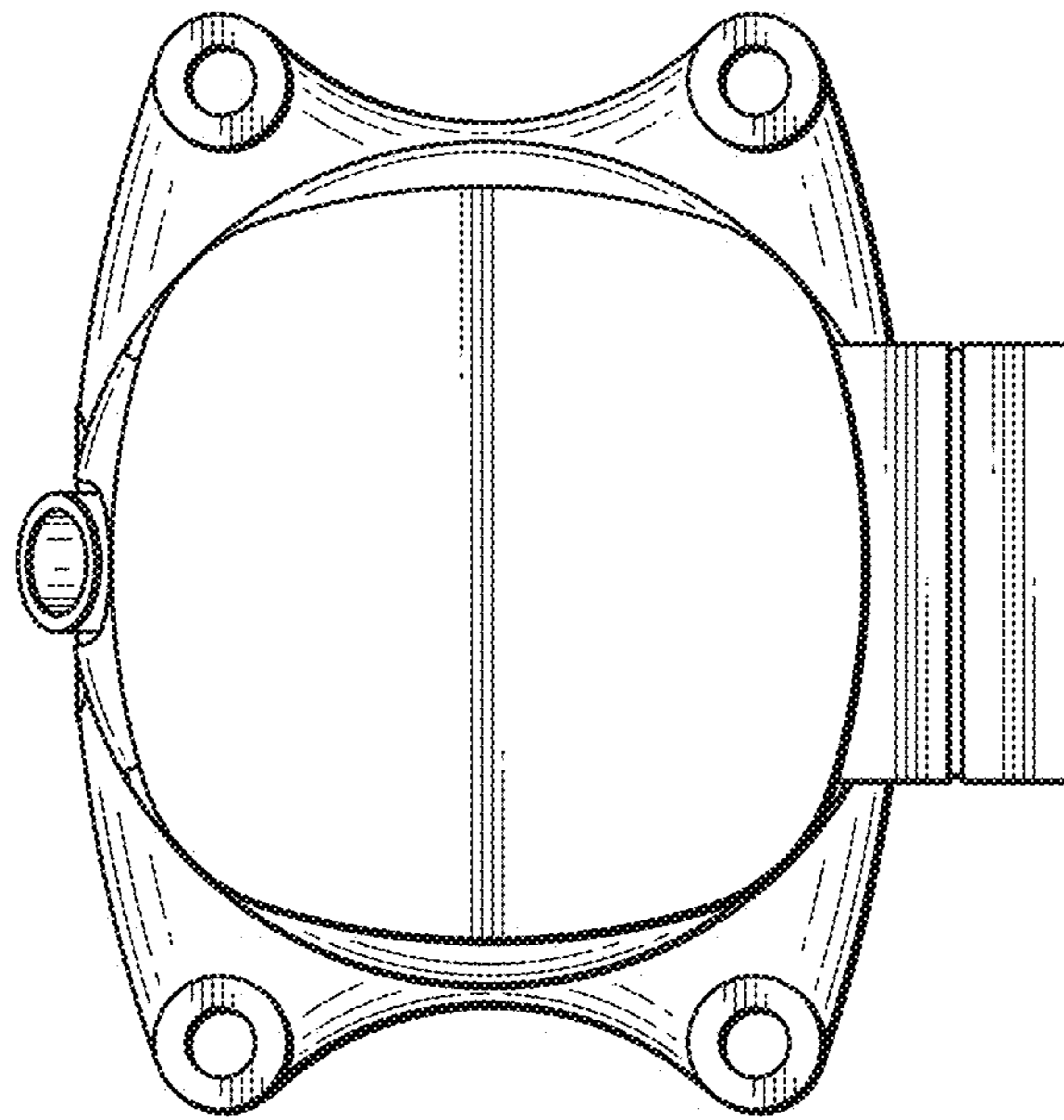


FIG. 6

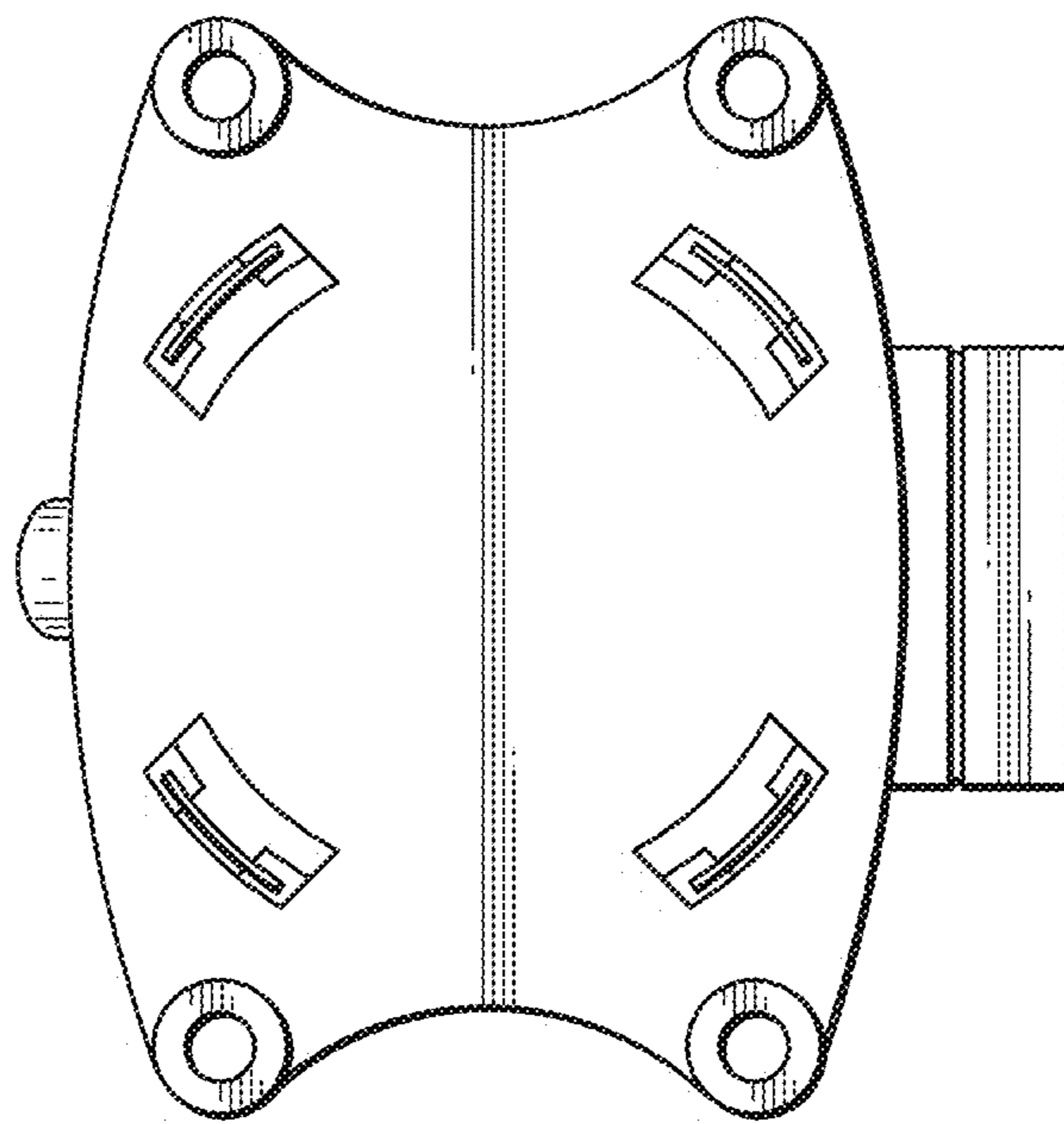


FIG. 7



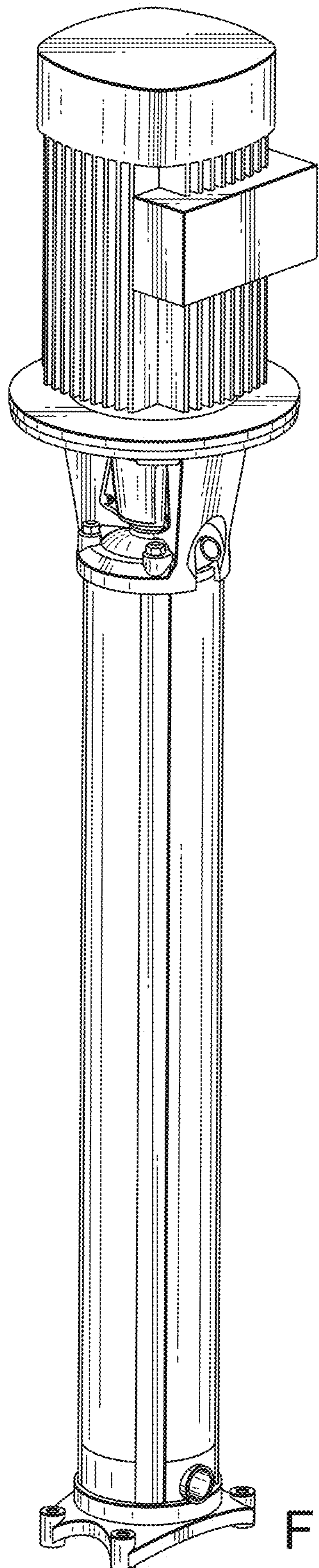


FIG. 8

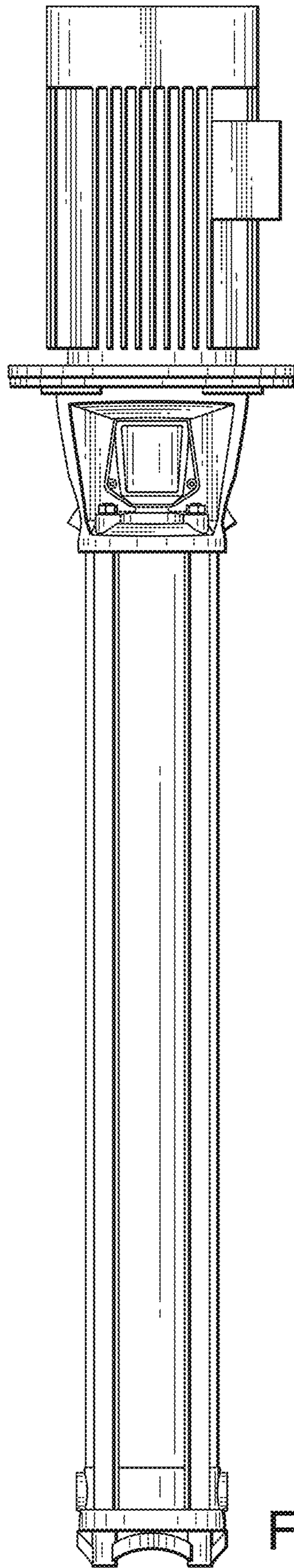


FIG. 9

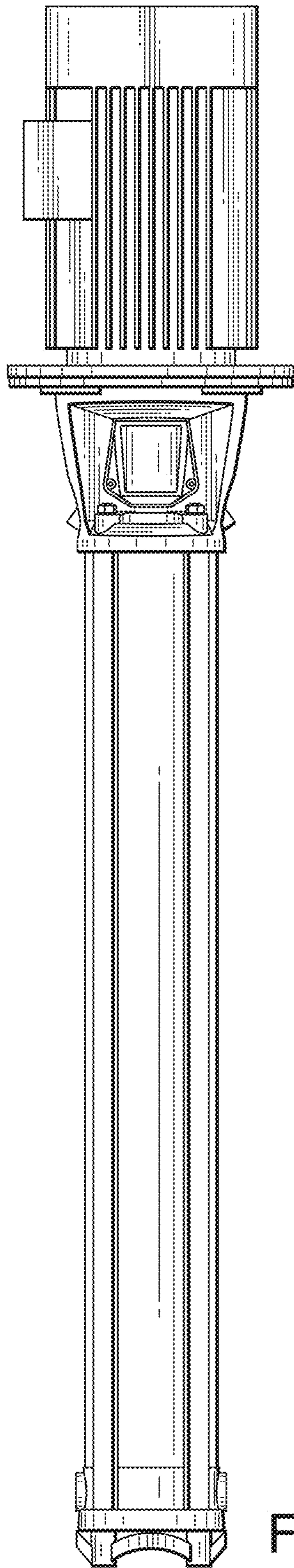


FIG. 10

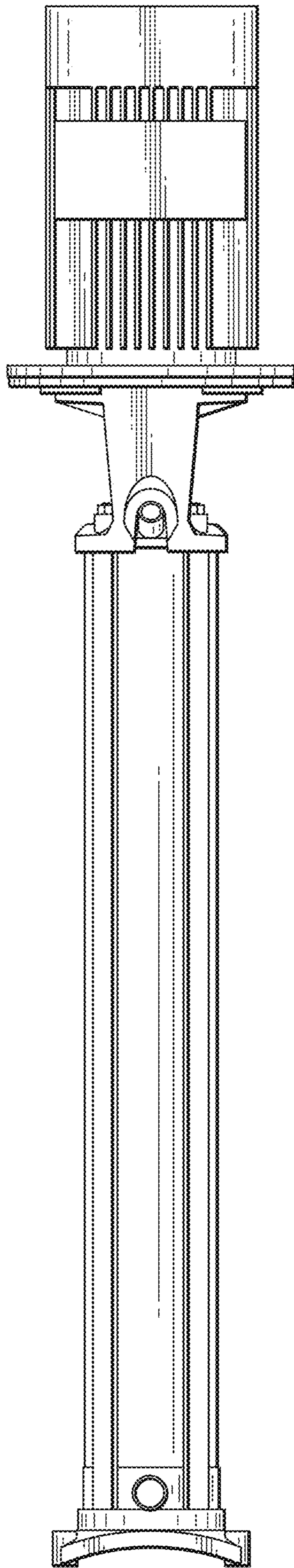


FIG. 11

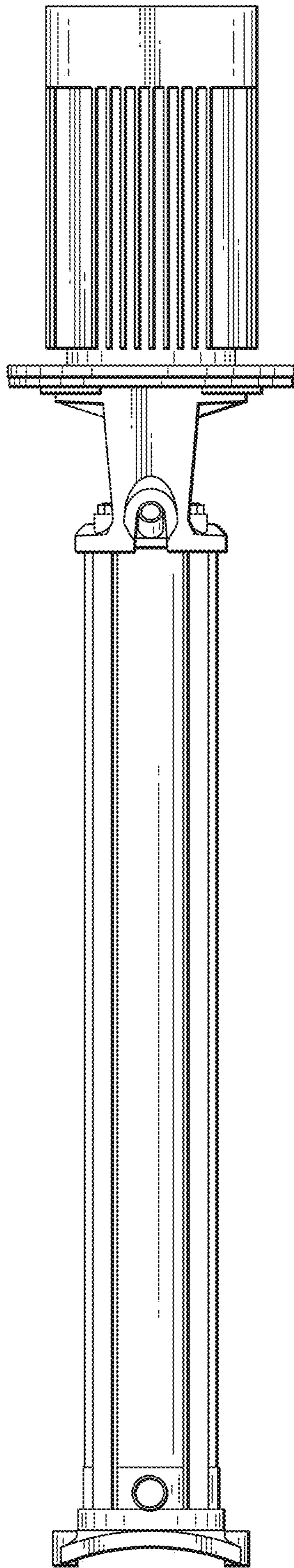


FIG. 12

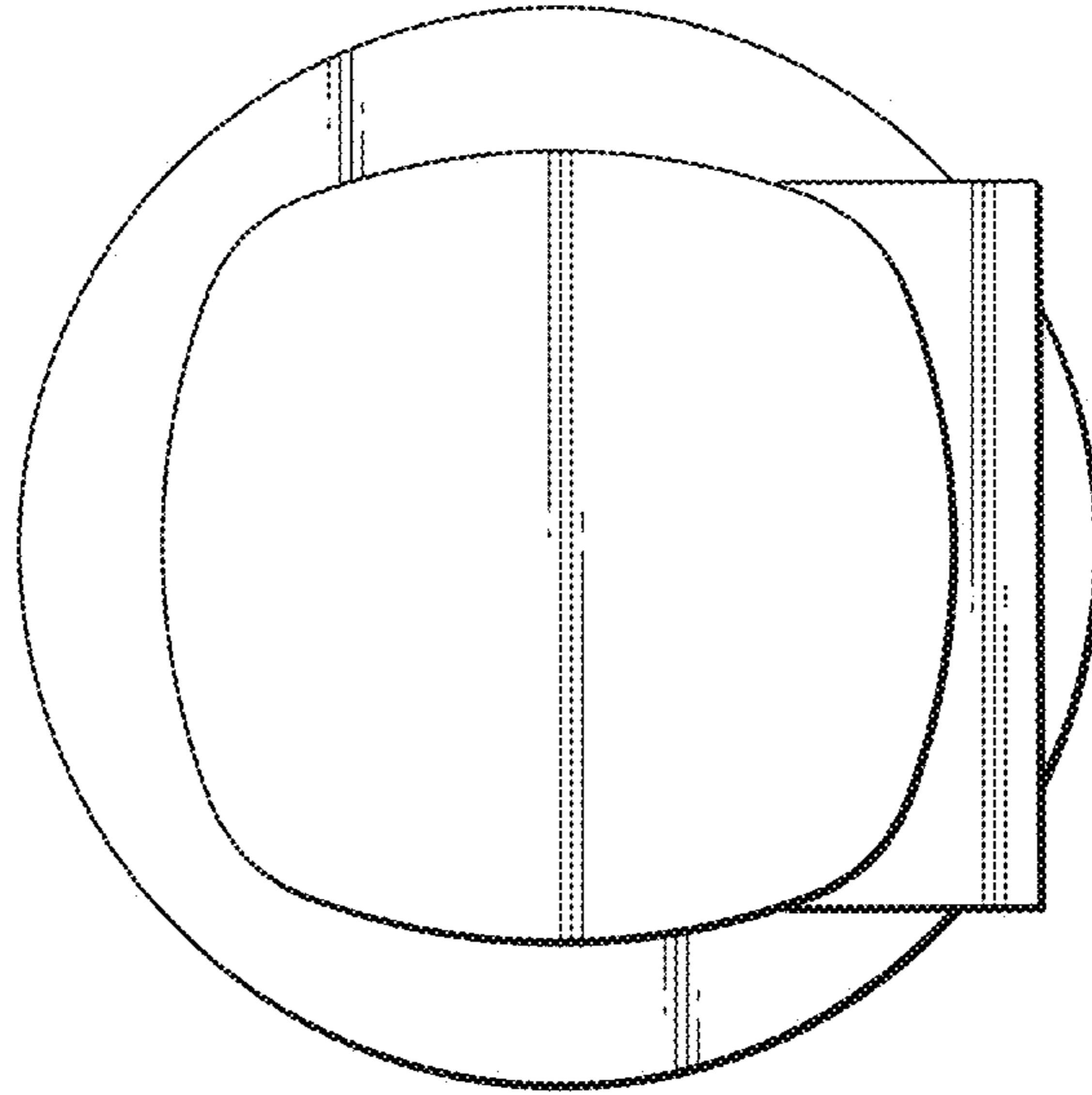


FIG. 13

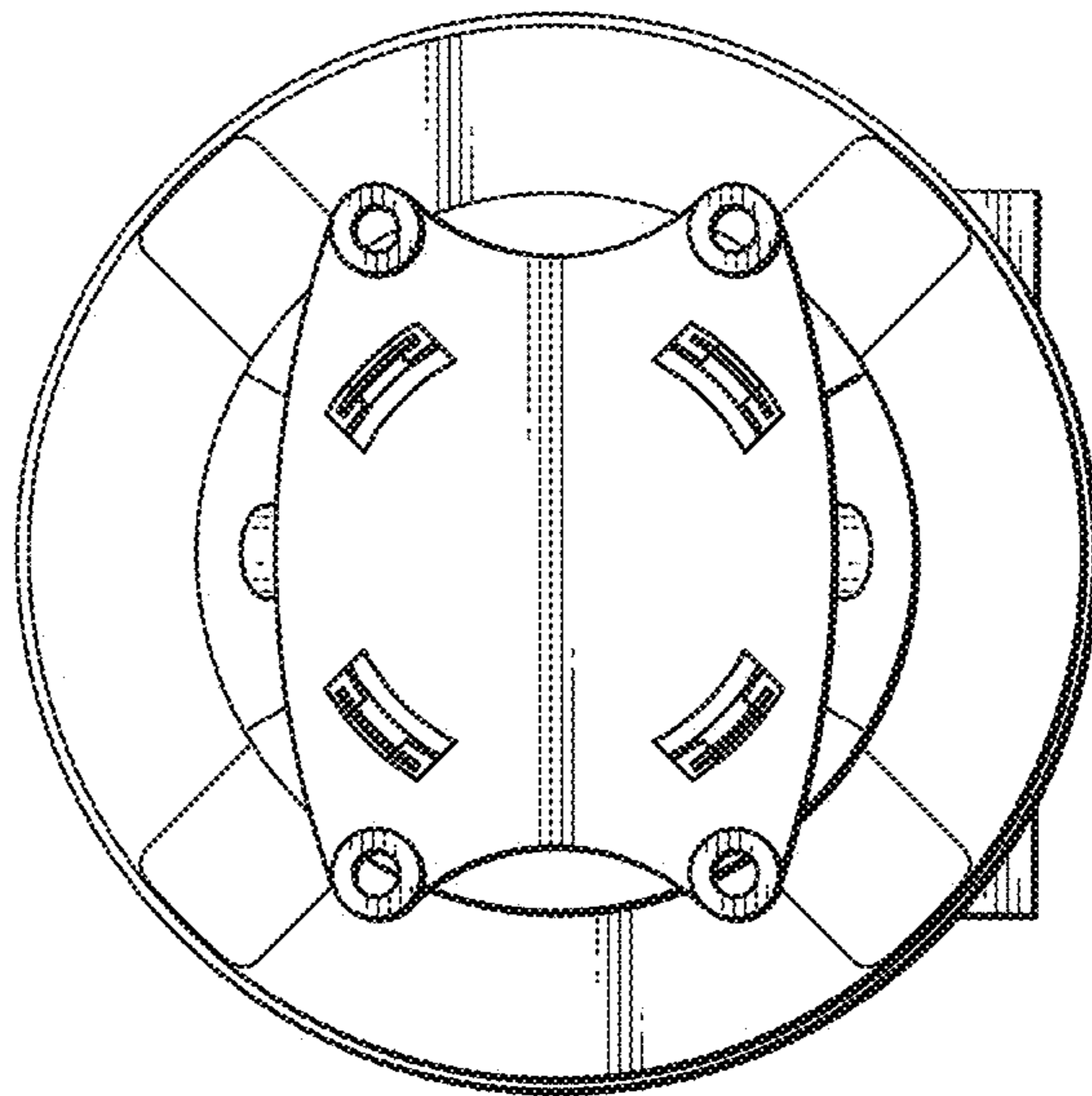


FIG. 14

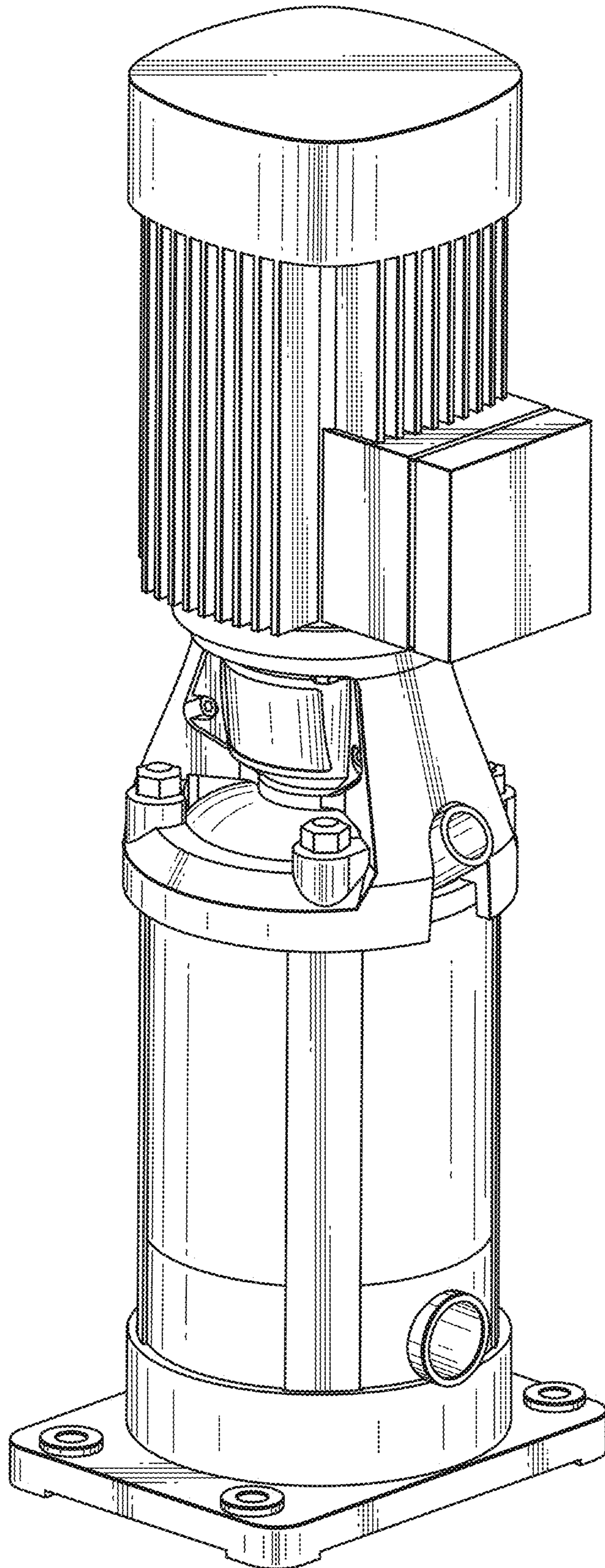


FIG. 15

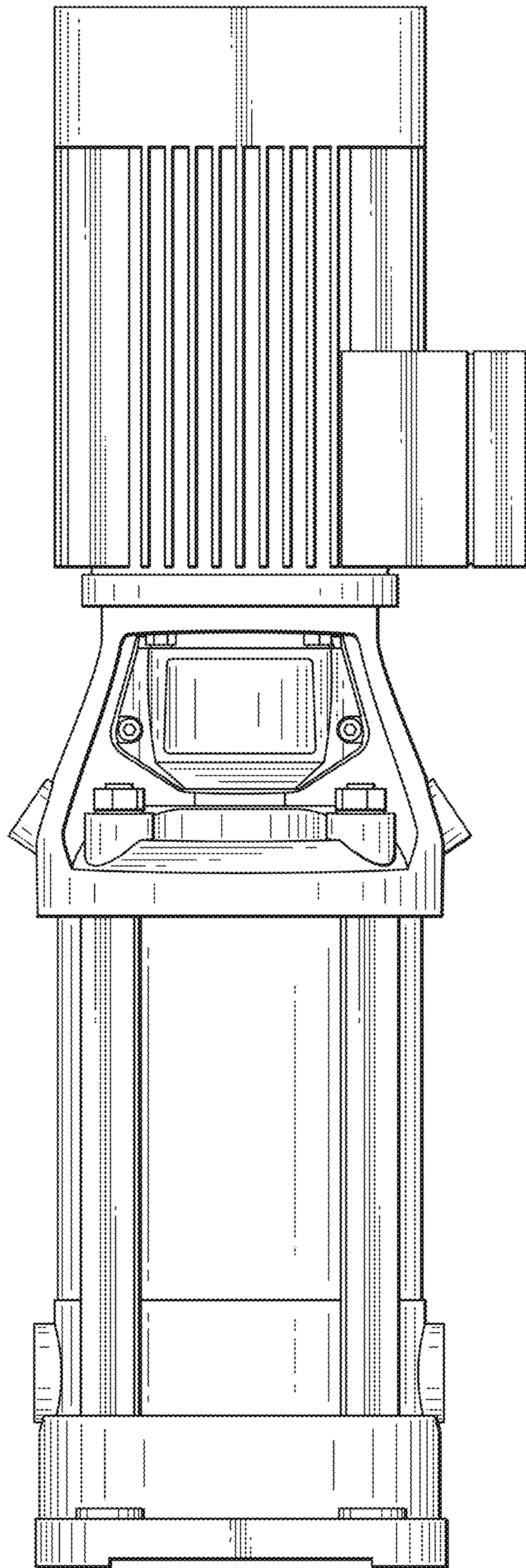


FIG. 16



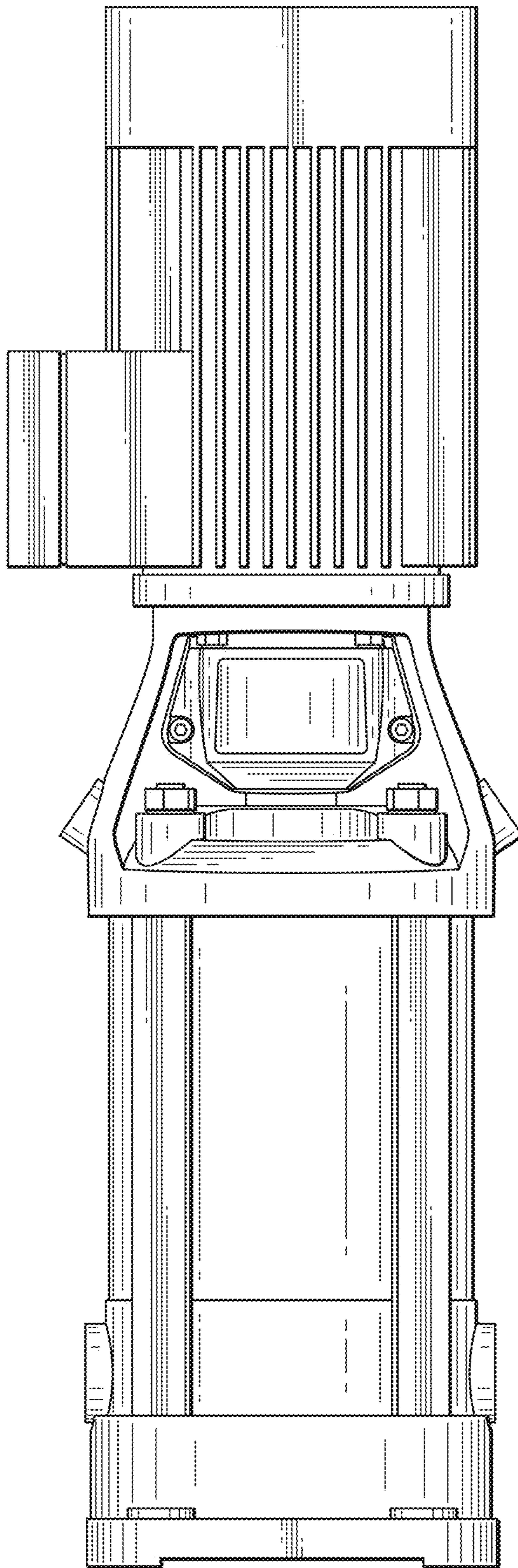


FIG. 17

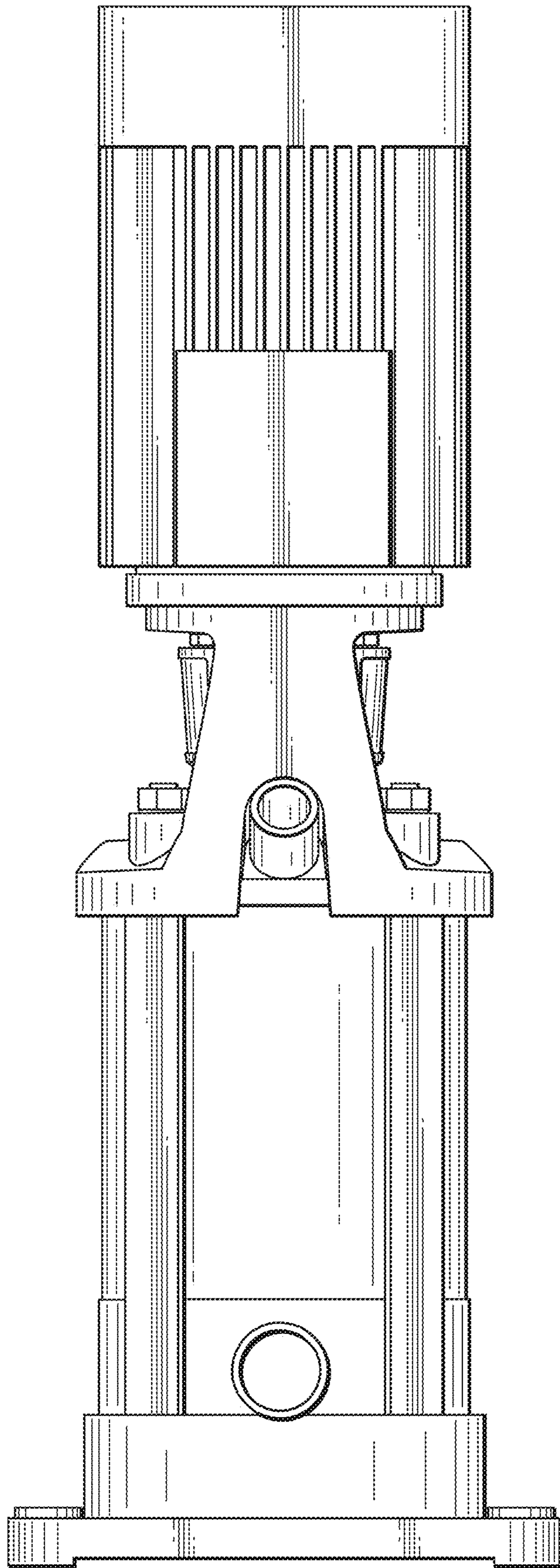


FIG. 18

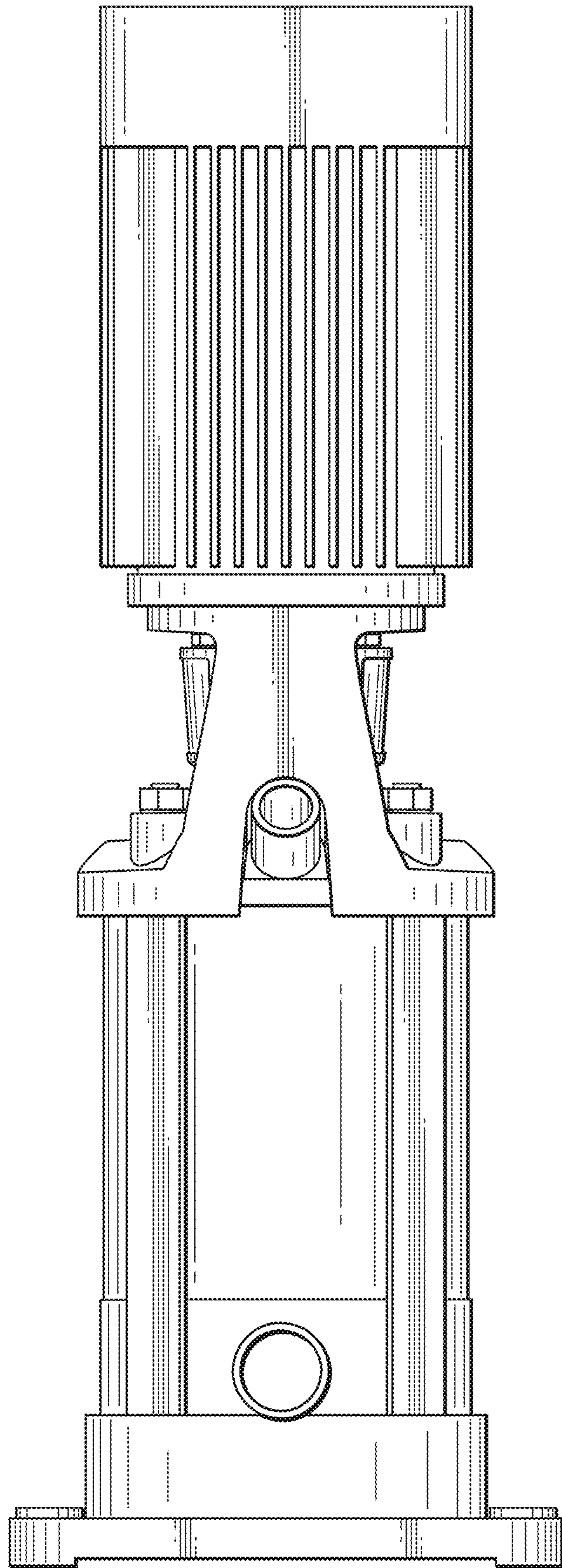


FIG. 19

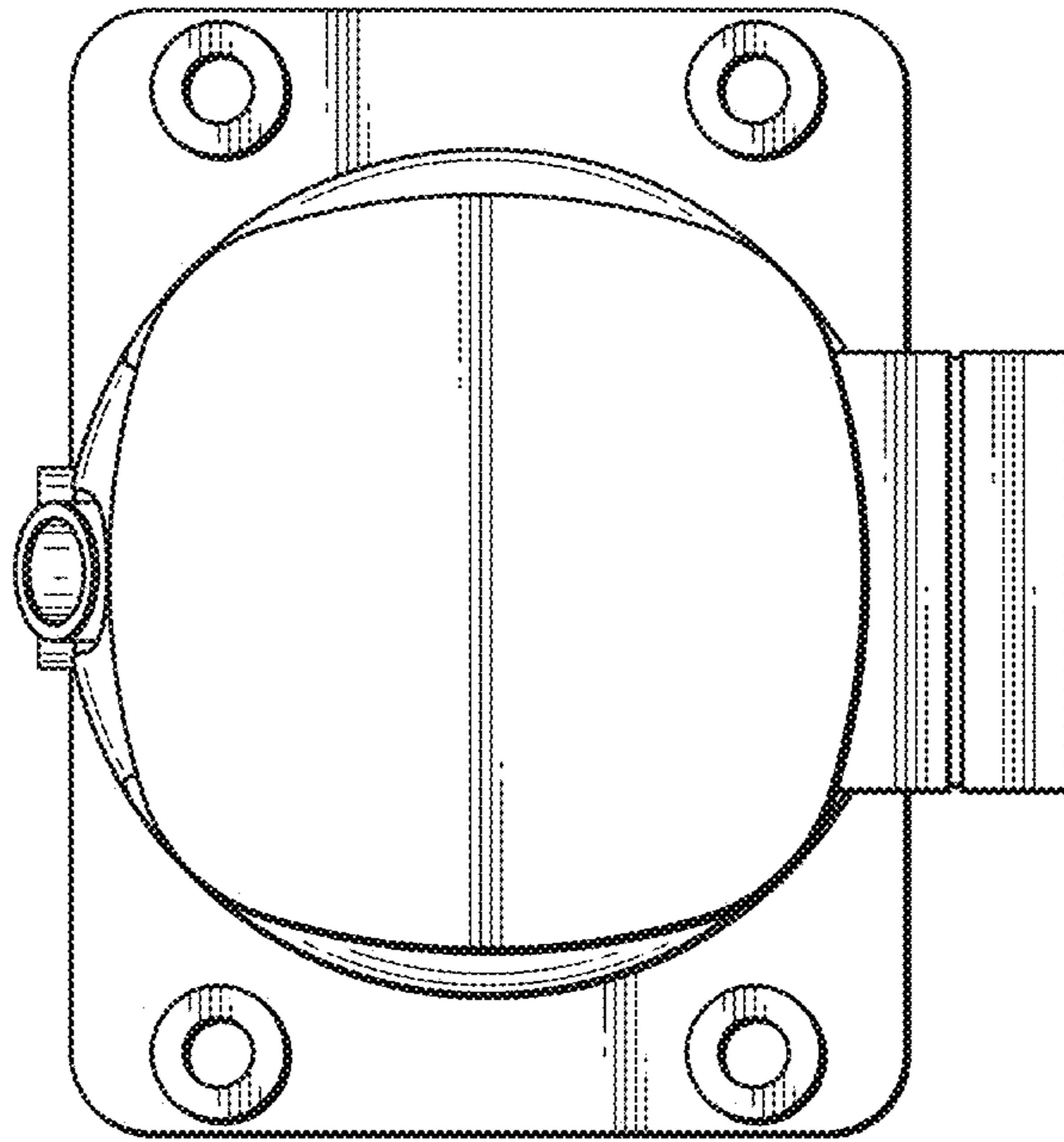


FIG. 20

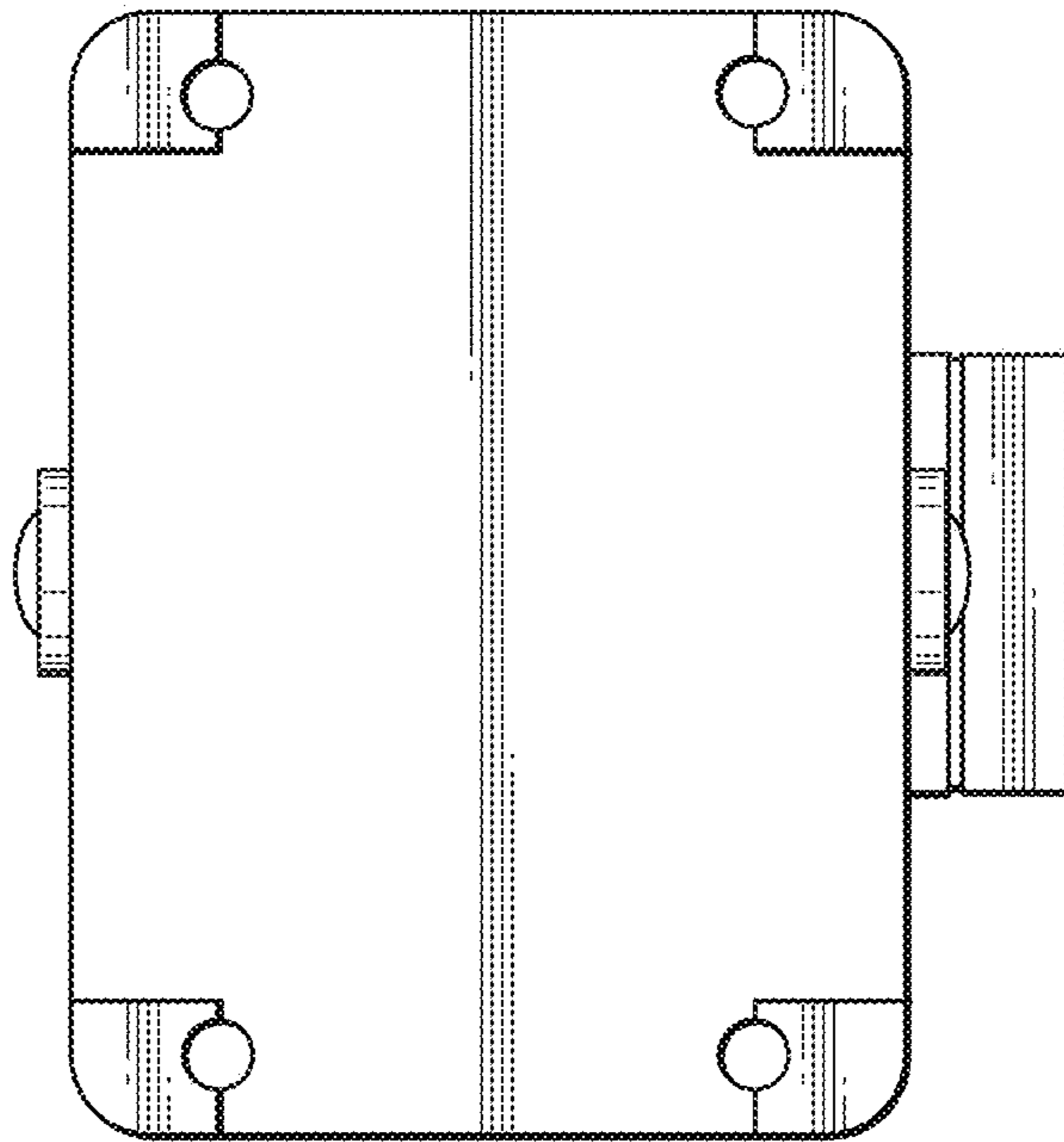


FIG. 21

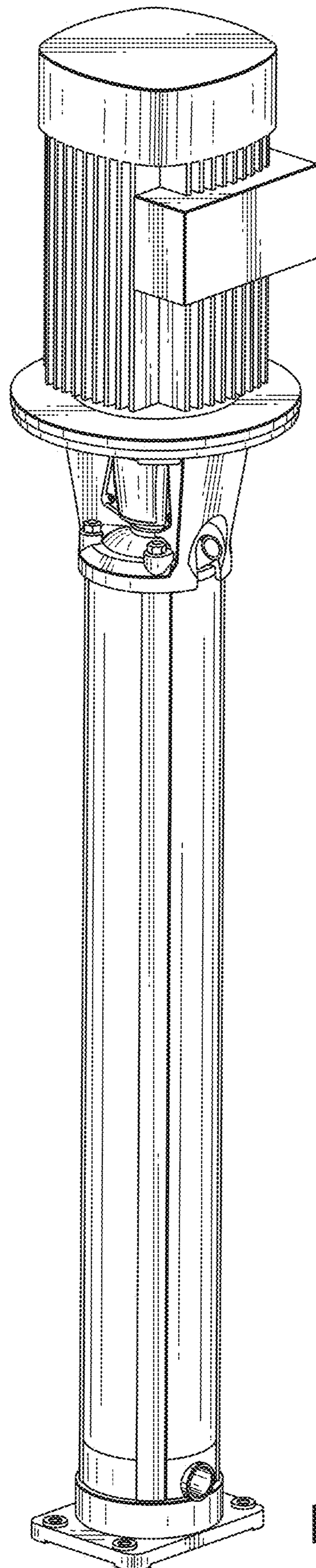


FIG. 22

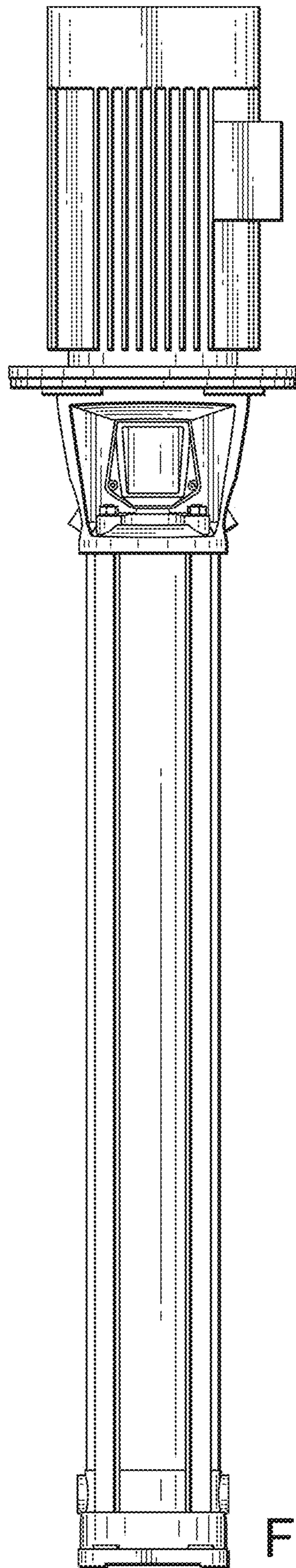


FIG. 23

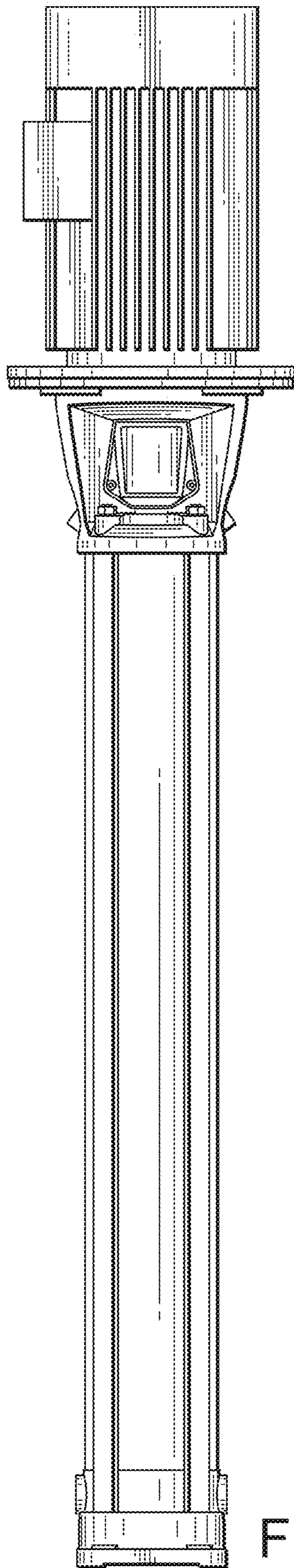


FIG. 24

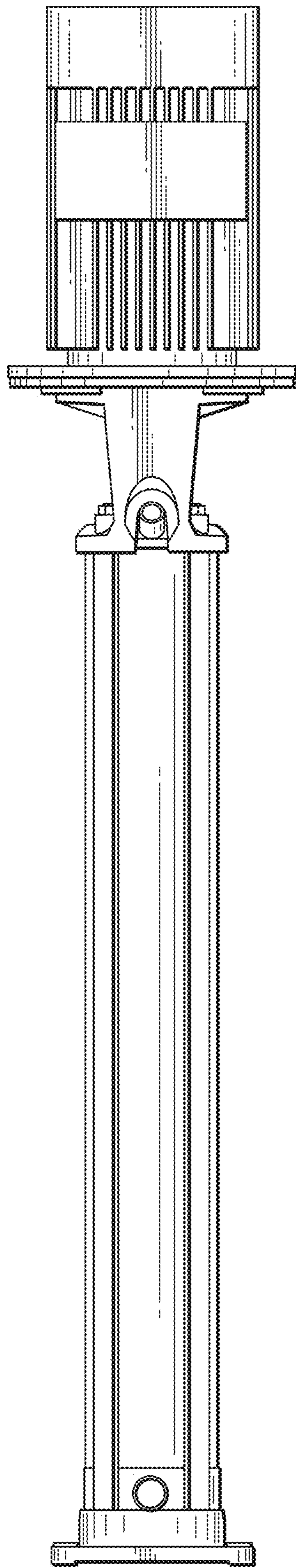


FIG. 25



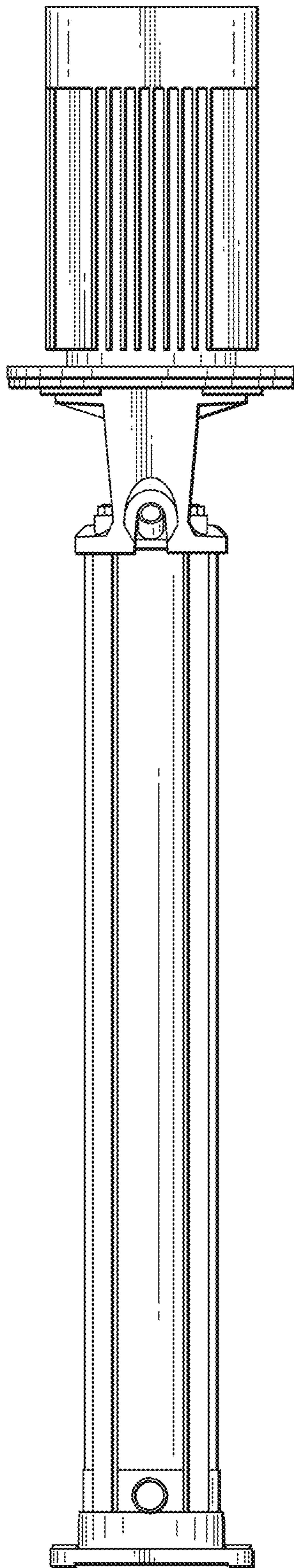


FIG. 26

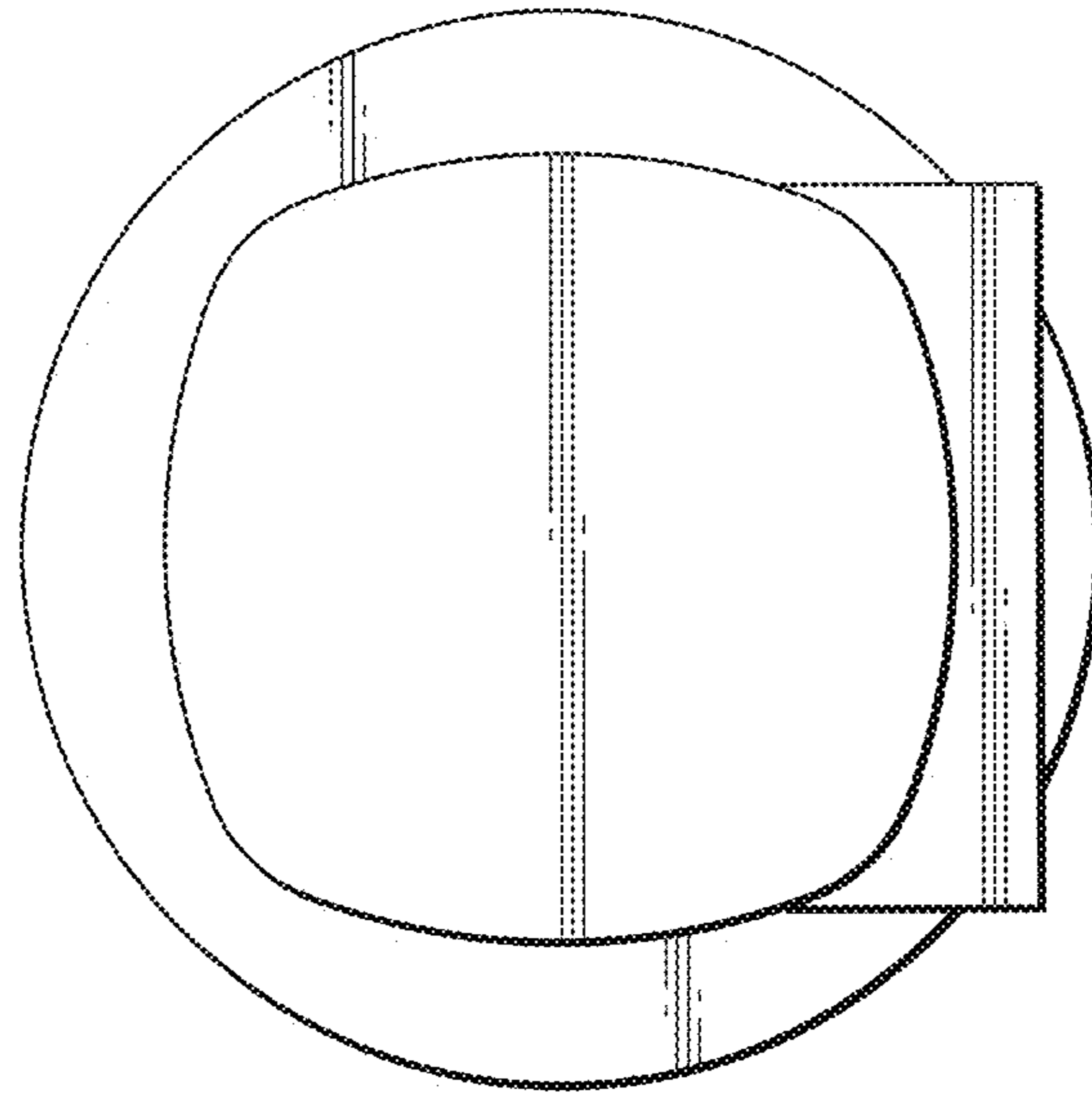


FIG. 27

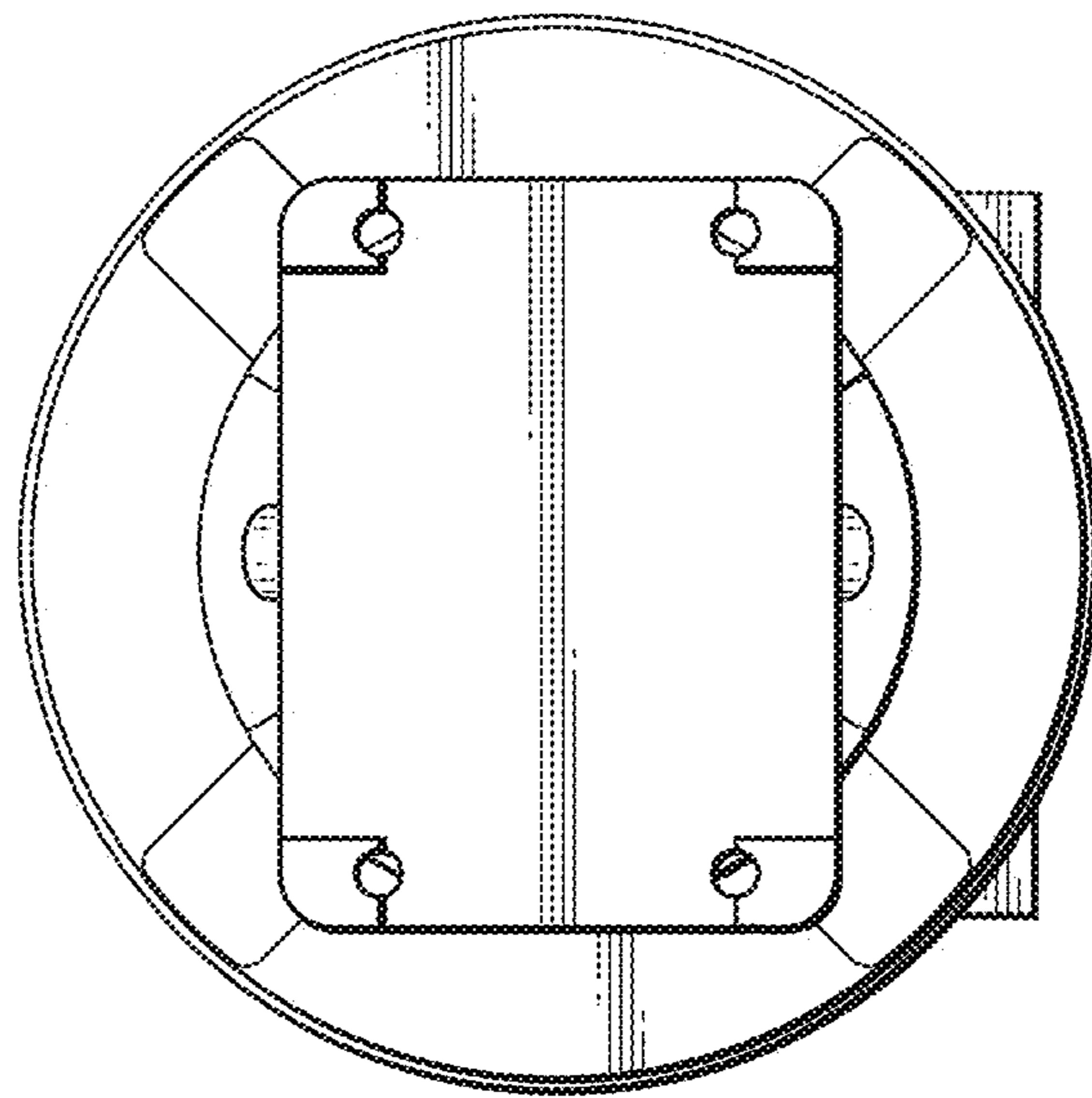


FIG. 28



FIG. 29

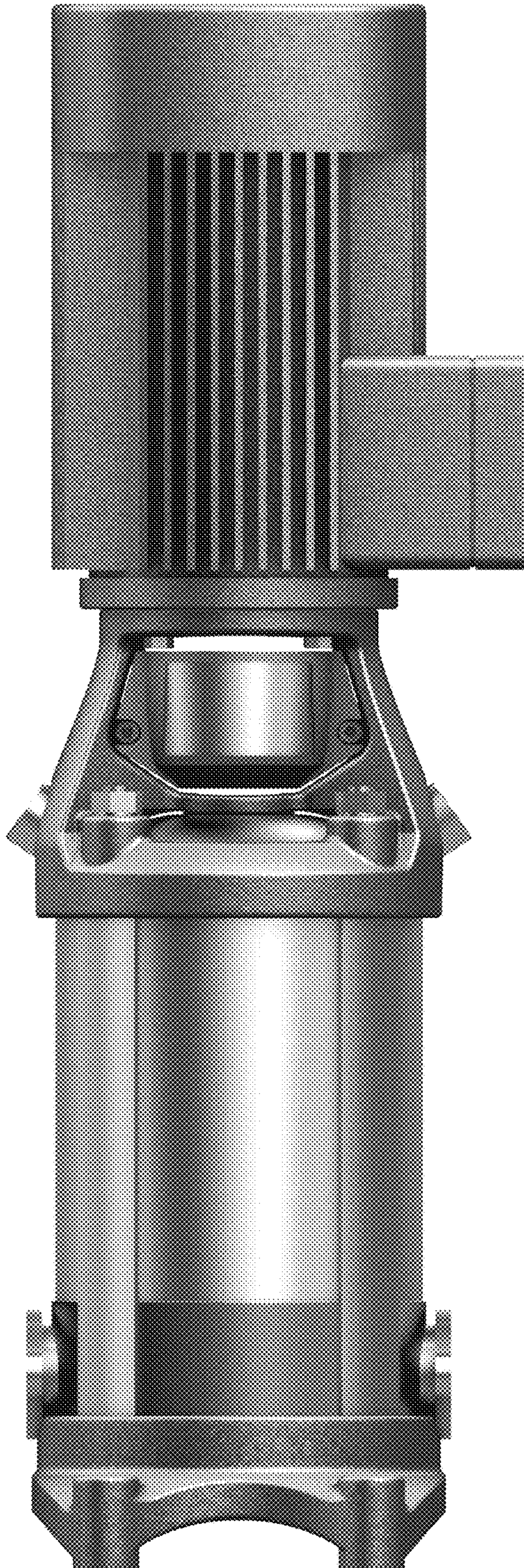


FIG. 30

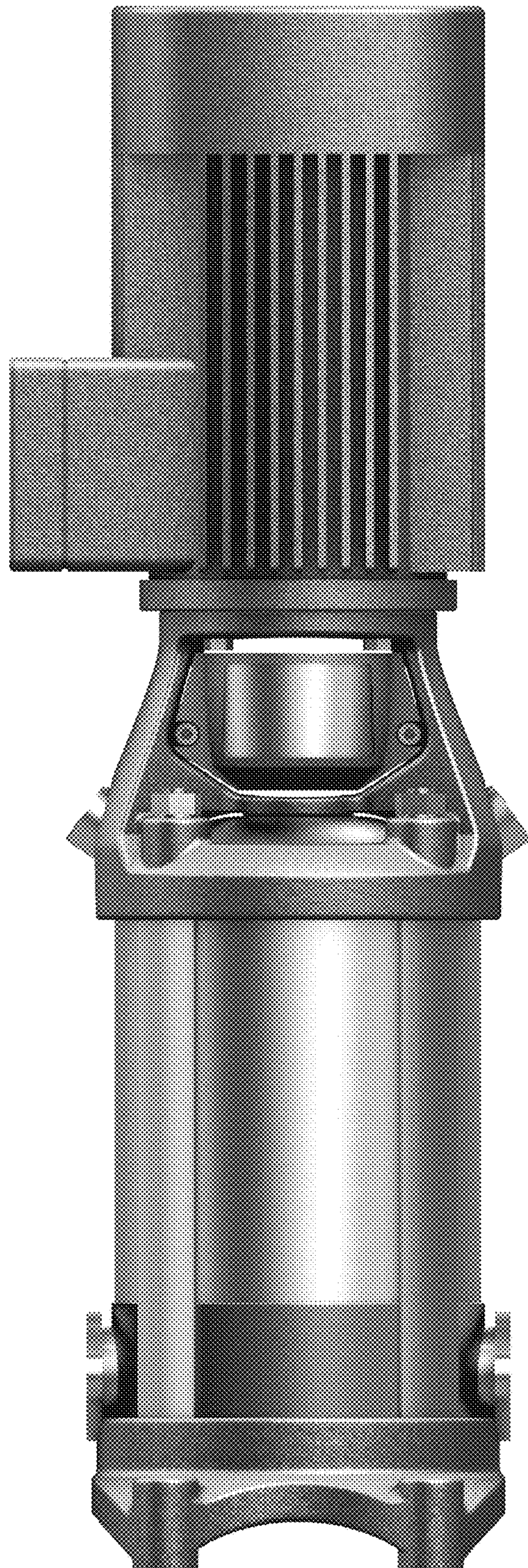


FIG. 31

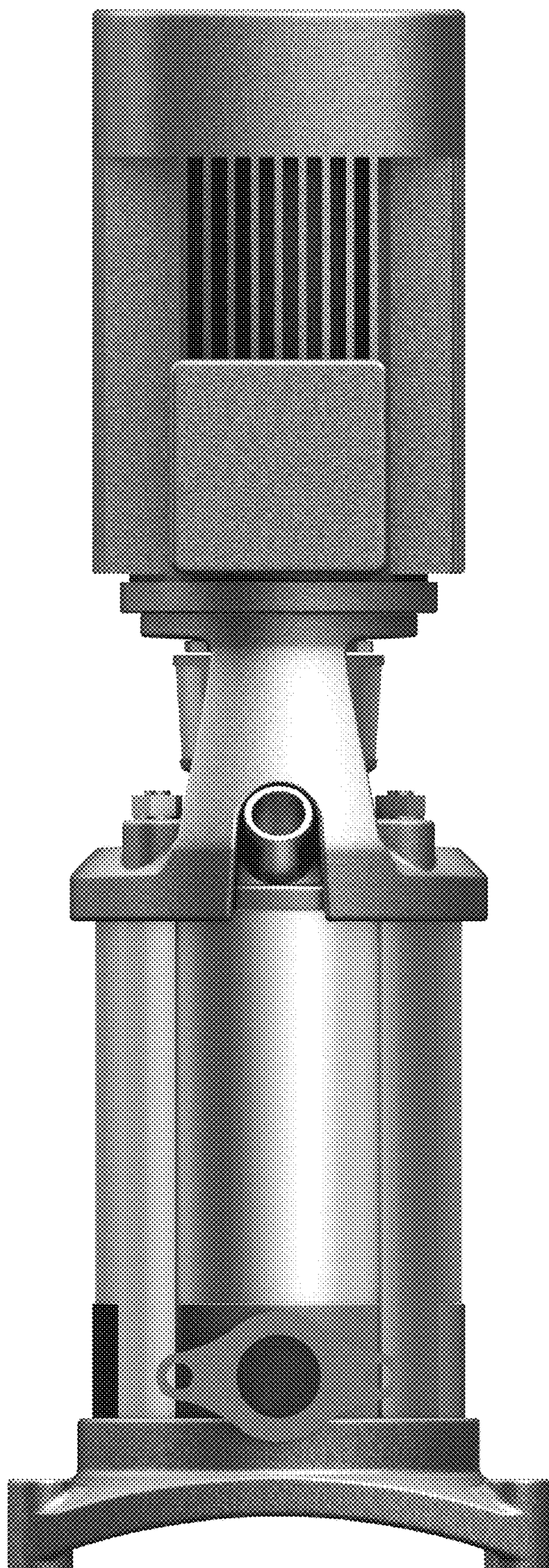


FIG. 32

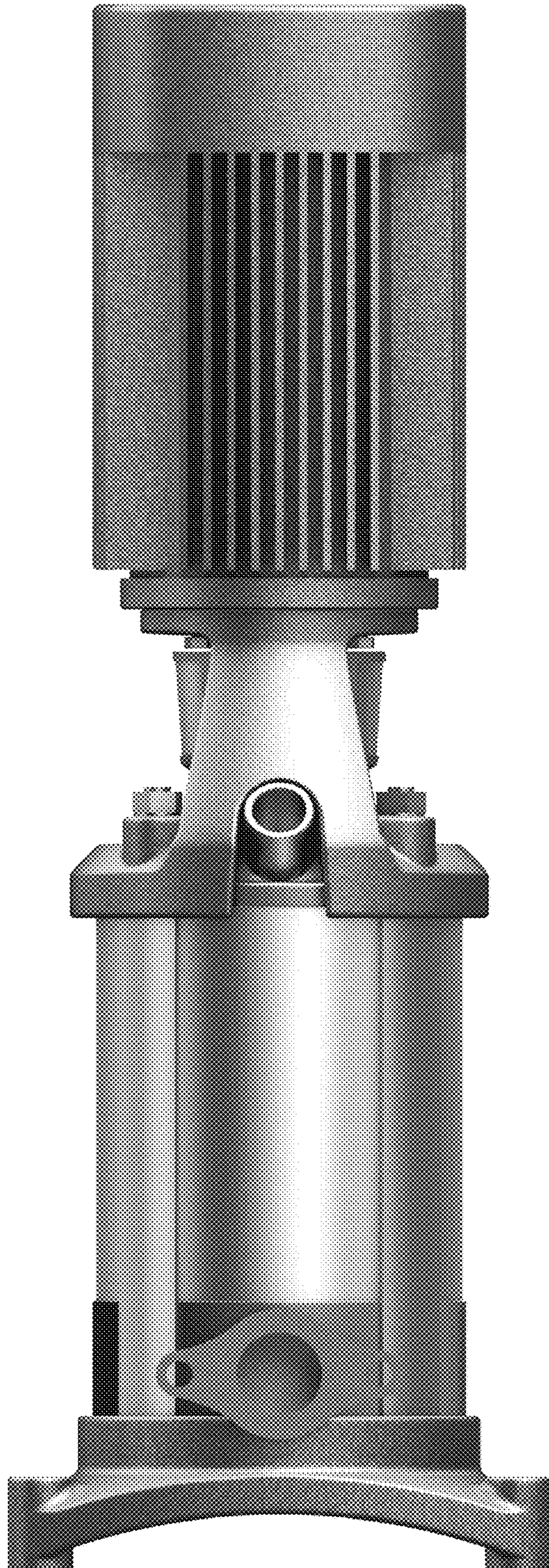


FIG. 33

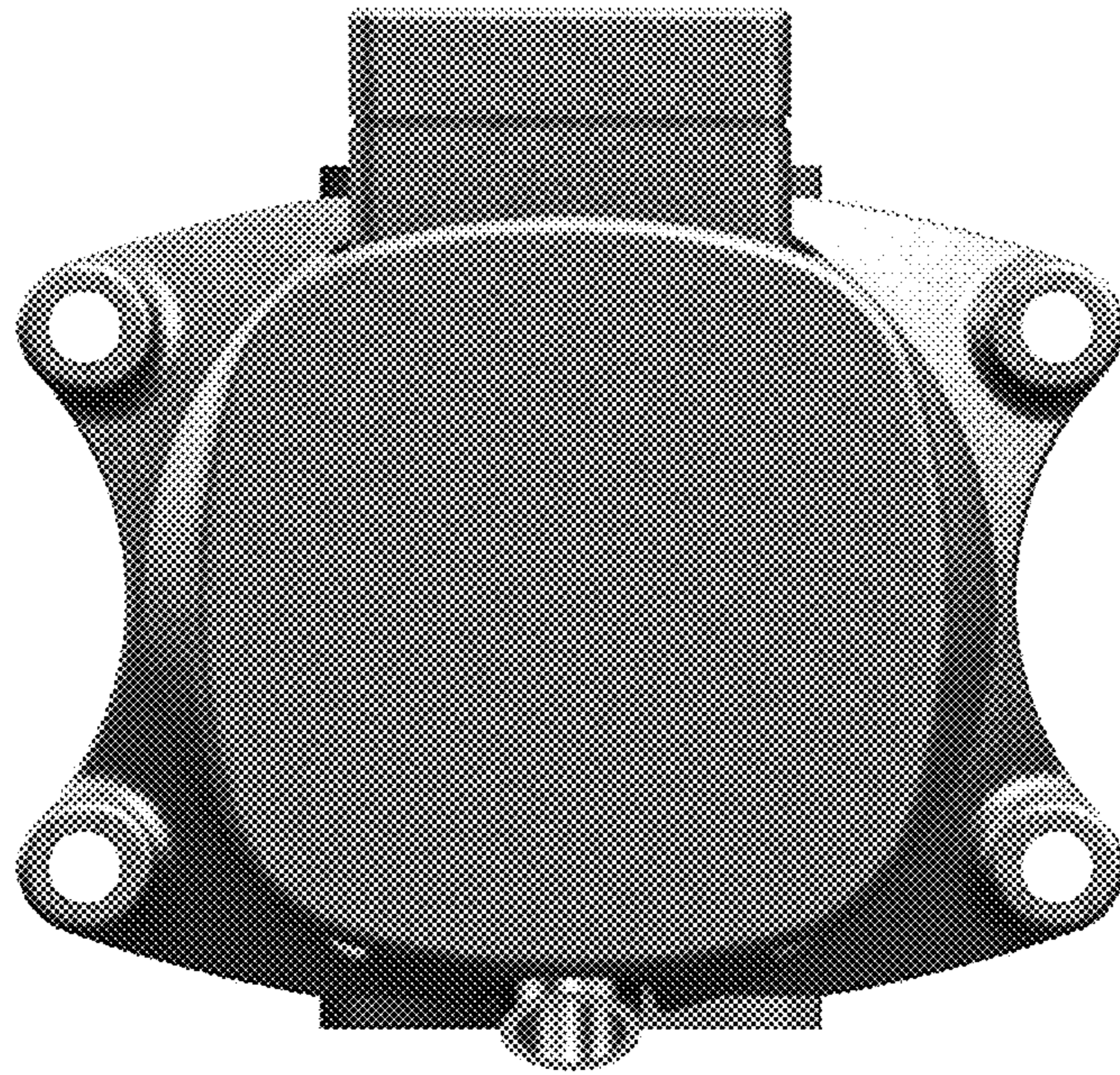


FIG. 34

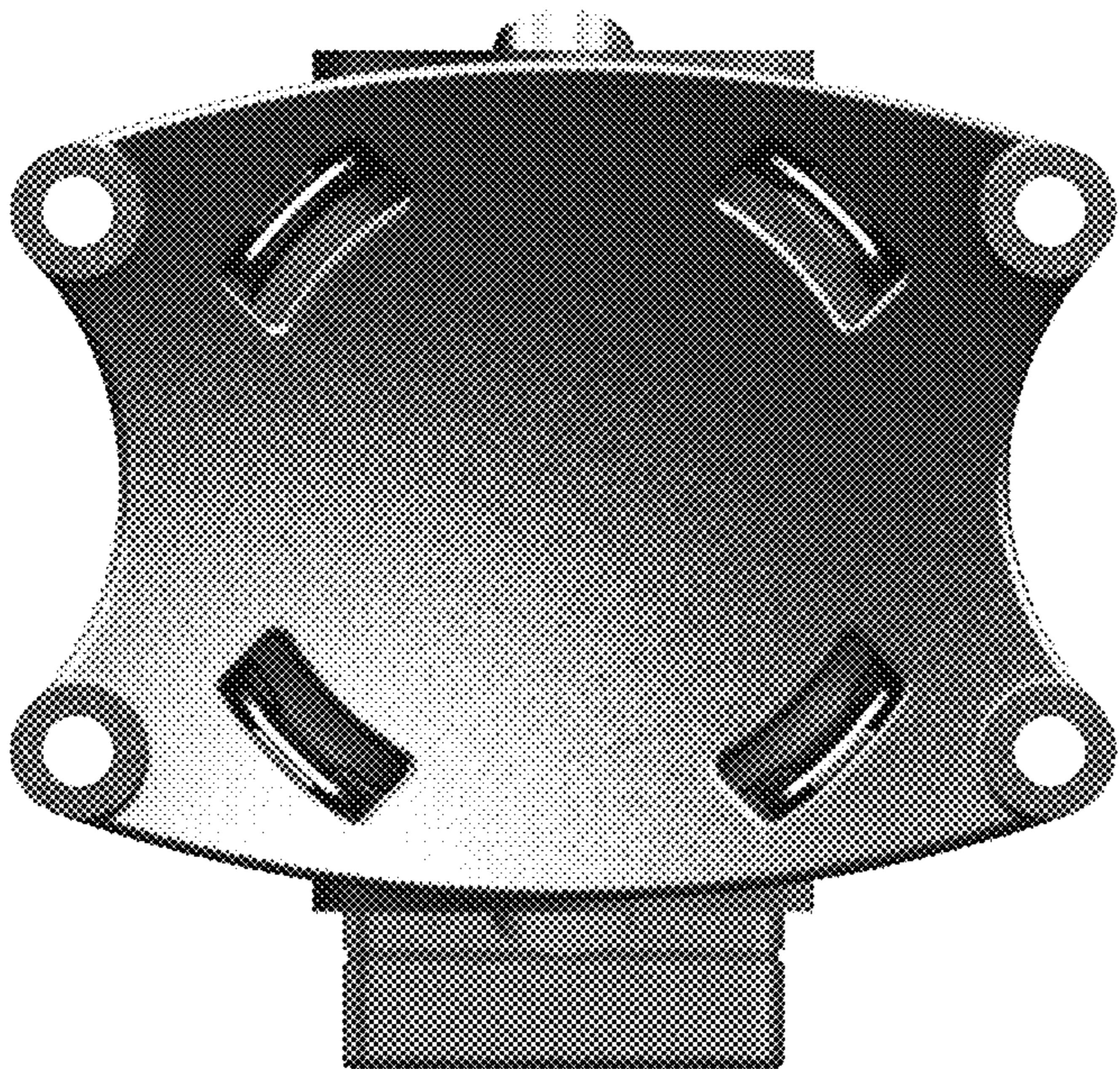


FIG. 35