



US00D884740S

(12) **United States Design Patent** (10) **Patent No.:** **US D884,740 S**  
**Youngblood et al.** (45) **Date of Patent:** **\*\* May 19, 2020**

(54) **DISPLAY SCREEN WITH ANIMATED GRAPHICAL USER INTERFACE**

(71) Applicant: **Capital One Services, LLC**, McLean, VA (US)

(72) Inventors: **Stewart Michael Youngblood**, Allen, TX (US); **Bryan Joseph Tamayo**, Allen, TX (US); **Benjamin Skylar Radcliffe**, Carrollton, TX (US); **Geoffrey Wayne Dagley**, McKinney, TX (US); **Qiaochu Tang**, The Colony, TX (US); **Jason Richard Hoover**, Grapevine, TX (US); **Staevan Alan Duckworth**, The Colony, TX (US)

(73) Assignee: **Capital One Services, LLC**, McLean, VA (US)

(\*\*) Term: **15 Years**

(21) Appl. No.: **29/690,657**

(22) Filed: **May 9, 2019**

**Related U.S. Application Data**

(63) Continuation of application No. 29/639,801, filed on Mar. 8, 2018.

(51) **LOC (12) Cl.** ..... **14-04**

(52) **U.S. Cl.**  
USPC ..... **D14/492; D14/490**

(58) **Field of Classification Search**  
USPC ..... D14/485–495  
CPC ... B60K 37/00; G06F 3/0481; G06F 3/04845; G06F 3/04817; G06F 17/212; G06F 19/3406; G06T 13/80; G06T 15/02  
See application file for complete search history.

(56) **References Cited**

**U.S. PATENT DOCUMENTS**

D472,902 S *	4/2003	Nashida	.....	D14/491
D588,151 S *	3/2009	Okada	.....	D14/488
7,502,785 B2 *	3/2009	Chen	.....	G06F 16/164
7,573,522 B2 *	8/2009	Kim	.....	H04N 5/23293
				348/208.12

(Continued)

**OTHER PUBLICATIONS**

Sygie | Blog | 2015 | Quick tips for easier navigation with Sygie for Android, last updated on Jul. 1, 2015 by Simona Pamicka, 201 2018 Sygie [online], [site visited Jul. 7, 2019]. Available from Internet, <URL: <https://www.sygie.com/blog/2015/quick-tips-for-easier-navigation-with-sygie-for-android/>>.

*Primary Examiner* — Philip S Hyder

*Assistant Examiner* — Cary M Robinson

(74) *Attorney, Agent, or Firm* — Finnegan, Henderson, Farabow, Garrett & Dunner, LLP

(57) **CLAIM**

The ornamental design for a display screen with animated graphical user interface, as shown and described.

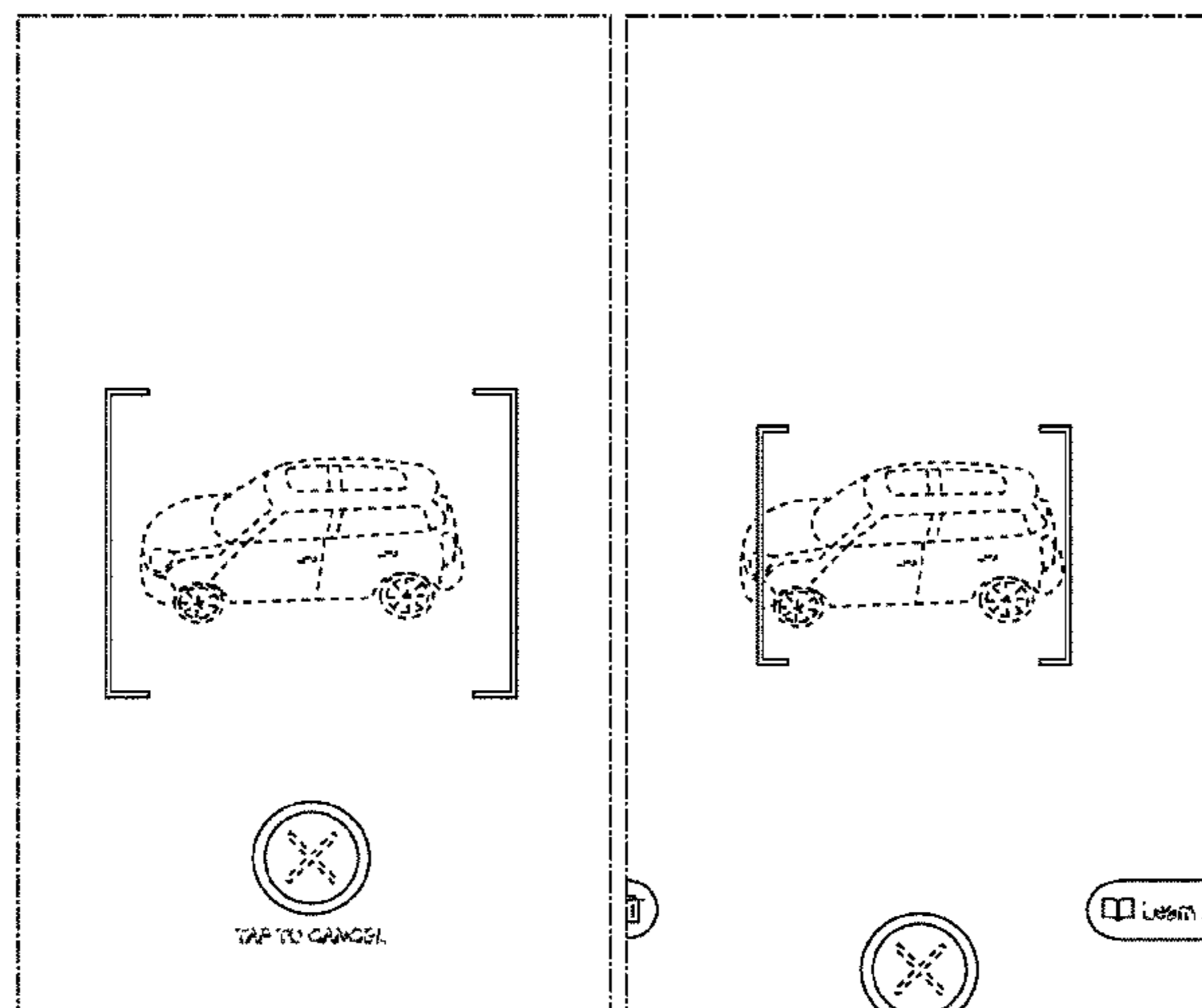
**DESCRIPTION**

FIG. 1 is a front view of a display screen with animated graphical user interface, showing our new design; FIG. 2 is a front view of a second image thereof; FIG. 3 is a front view of a third image thereof; FIG. 4 is a front view of a fourth image thereof; and, FIG. 5 is a front view of a fifth image thereof.

The appearance of the animated graphical user interface sequentially transitions between the images shown in FIGS. 1-5. The process or period in which one image transitions to another image forms no part of the claimed design.

The broken lines of uneven length show the display screen and form no part of the claimed design. The broken lines of even length illustrate portions of the display screen with animated graphical user interface that form no part of the claimed design.

**1 Claim, 5 Drawing Sheets**



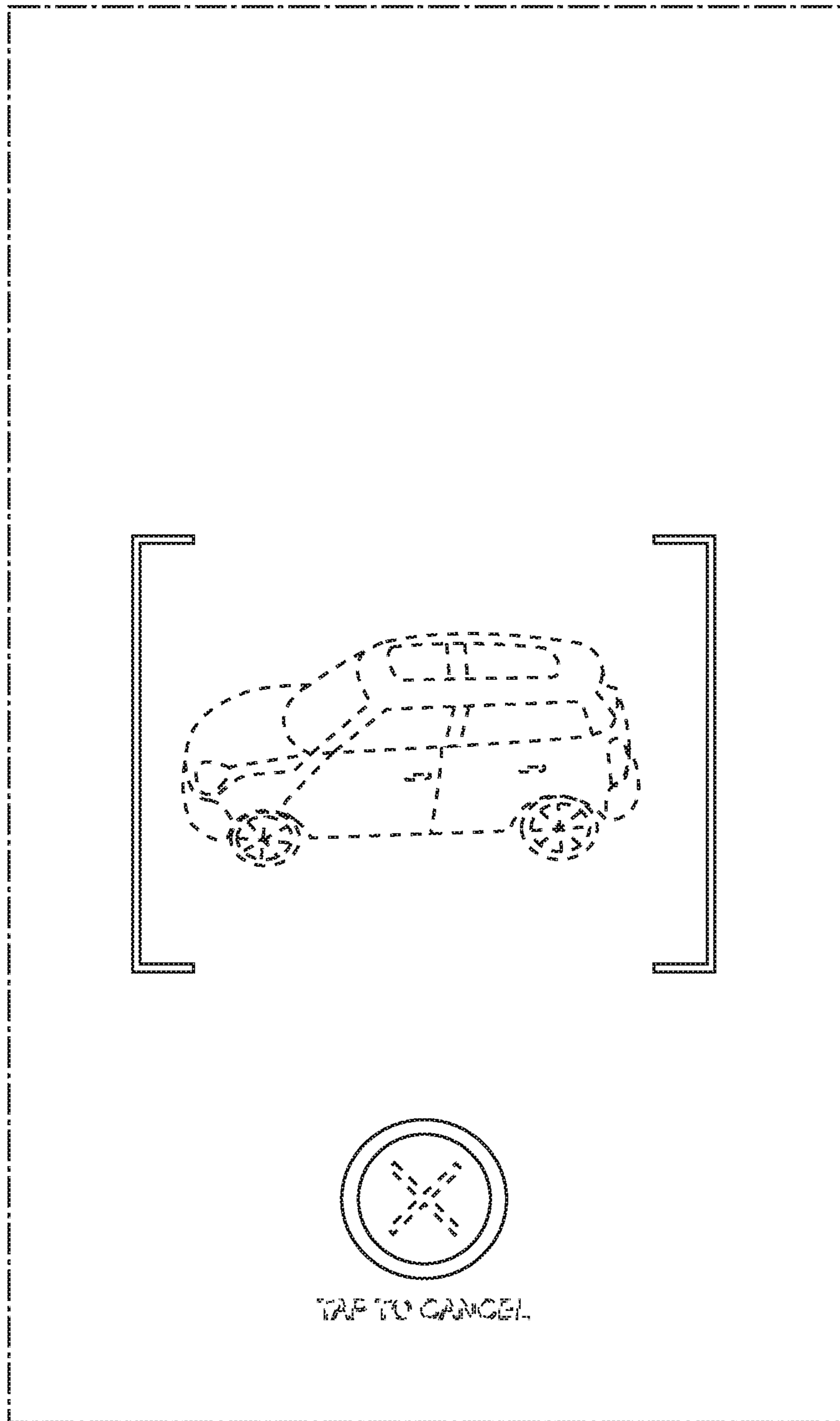
(56)

**References Cited**

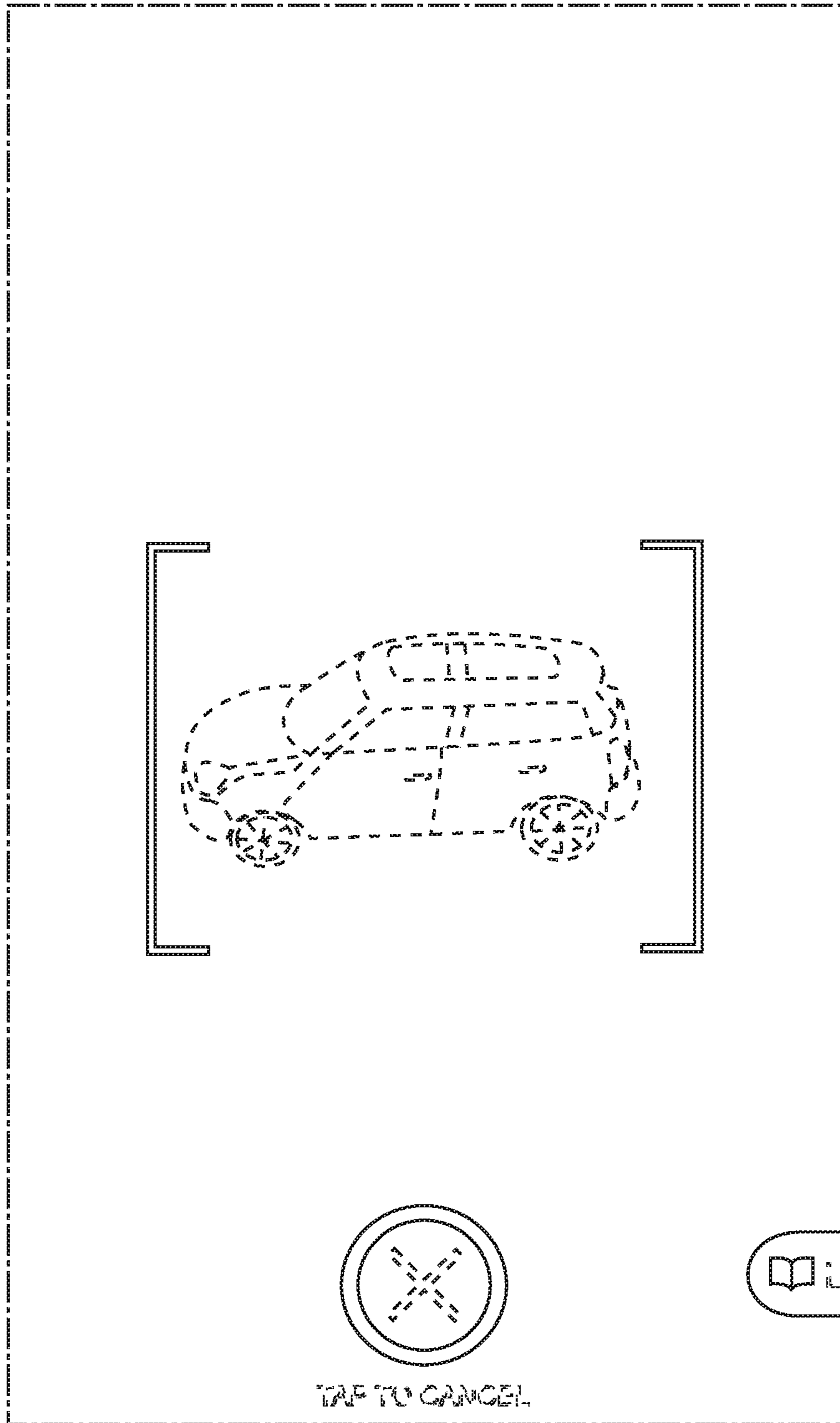
## U.S. PATENT DOCUMENTS

D640,269	S *	6/2011	Chen	.....	D14/487
D663,744	S *	7/2012	Tanghe	.....	D14/489
D761,268	S *	7/2016	Oh	.....	D14/485
D762,671	S *	8/2016	Chan	.....	D14/485
D768,147	S *	10/2016	Yoo	.....	D14/485
D776,124	S *	1/2017	Lee	.....	D14/485
D781,915	S *	3/2017	Vazquez	.....	D14/494
D795,294	S *	8/2017	Faulkner	.....	D14/489
D797,793	S *	9/2017	Nichols	.....	D14/486
D798,334	S *	9/2017	Dye	.....	D14/489
D802,607	S *	11/2017	Apodaca	.....	D14/485
D803,858	S *	11/2017	Su	.....	D14/486
D810,781	S *	2/2018	Park	.....	D14/492
D832,290	S *	10/2018	Tran	.....	G06Q 50/22 D14/486
D835,669	S *	12/2018	Hong	.....	D14/492
D835,670	S *	12/2018	Hong	.....	D14/492
2013/0265270	A1 *	10/2013	Tempas	.....	A61H 23/02 345/174
2014/0192229	A1 *	7/2014	Kim	.....	G06K 9/00302 348/231.3
2014/0192232	A1 *	7/2014	Park	.....	H04N 5/76 348/231.99
2016/0110085	A1 *	4/2016	Barton	.....	H04L 12/2823 715/736

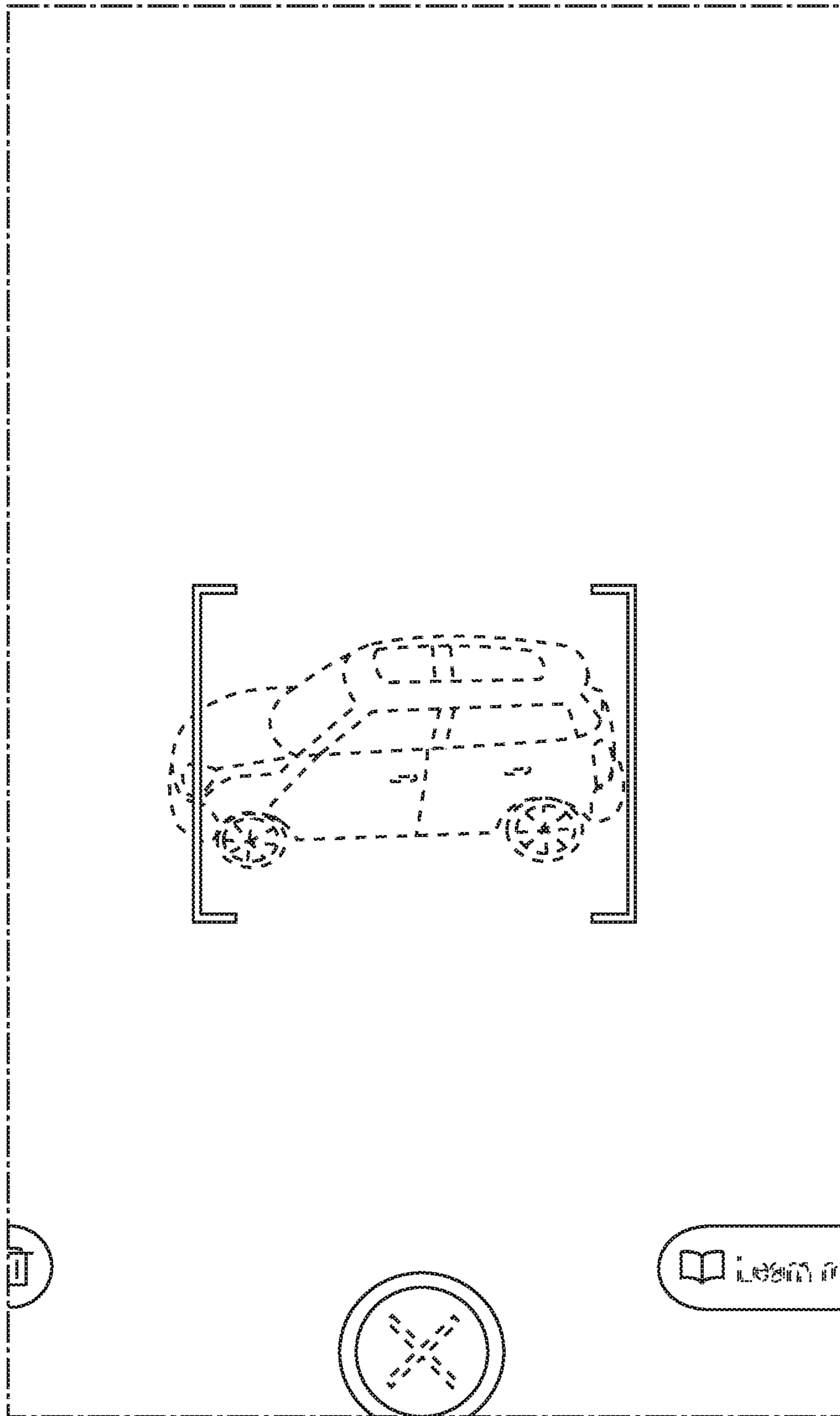
\* cited by examiner



**FIG. 1**

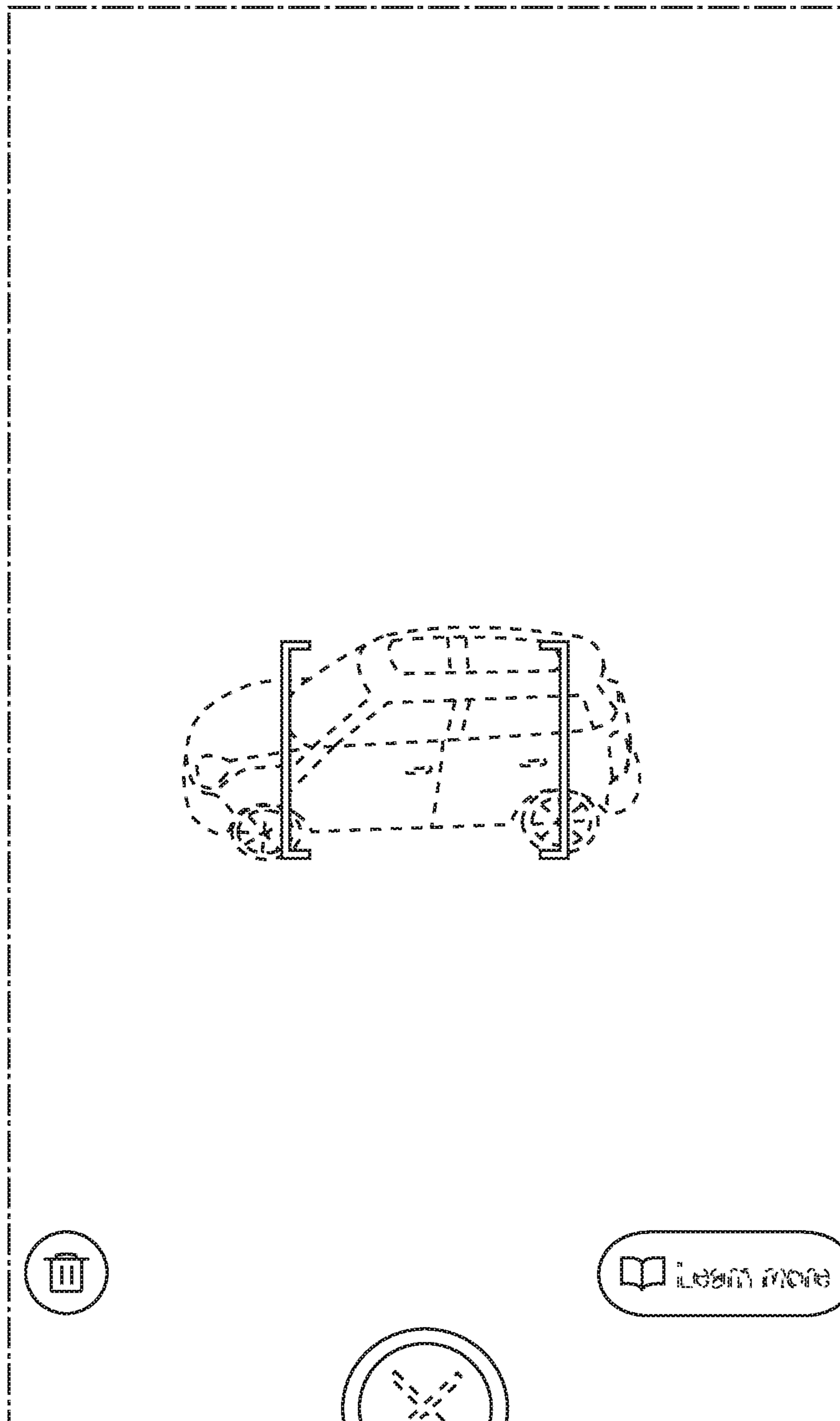


**FIG. 2**

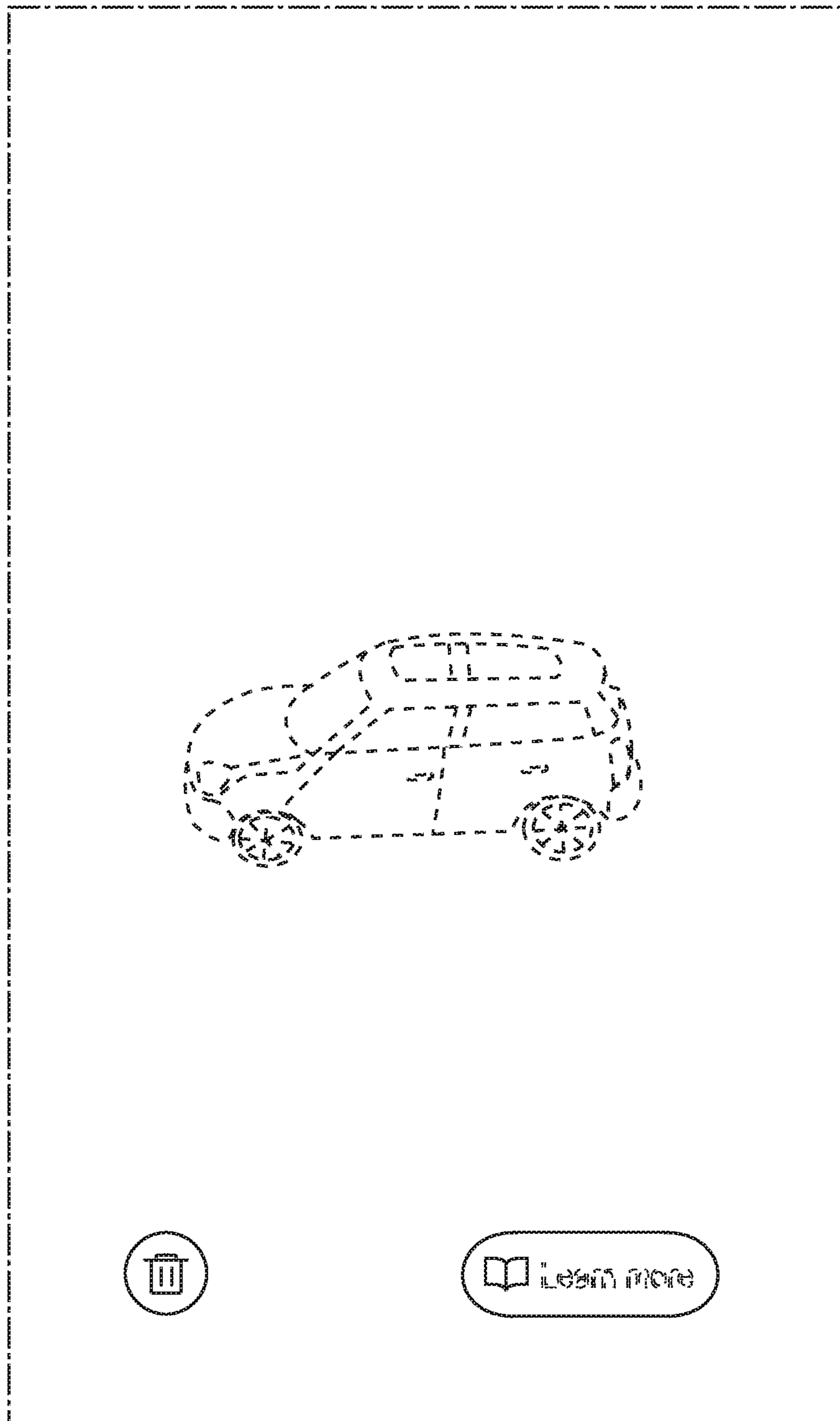


**FIG. 3**





**FIG. 4**



**FIG. 5**