



US00D884722S

(12) **United States Design Patent**
Kim

(10) **Patent No.:** **US D884,722 S**

(45) **Date of Patent:** **** May 19, 2020**

(54) **DISPLAY SCREEN OR PORTION THEREOF WITH TRANSITIONAL GRAPHICAL USER INTERFACE**

D752,072 S * 3/2016 Song D14/486
D759,662 S * 6/2016 Panjabi D14/485
D761,812 S * 7/2016 Motamedi D14/485

(Continued)

(71) Applicant: **Samsung Electronics Co., Ltd.**,
Suwon-si (KR)

FOREIGN PATENT DOCUMENTS

(72) Inventor: **Yejin Kim**, Seoul (KR)

DE 402015000129-0021 4/2015
EM 001698663-0003 4/2010
JP D1454692 11/2012

(73) Assignee: **Samsung Electronics Co., Ltd.**,
Suwon-si (KR)

OTHER PUBLICATIONS

(**) Term: **15 Years**

Posco ICT "Pokemon GO in AR (augmented reality) is!" [2016]
www.smartfuture-poscoict.co.kr Jul. 29, 2016 <<http://smartfuture-poscoict.co.kr/340>>.

(21) Appl. No.: **29/656,678**

(22) Filed: **Jul. 16, 2018**

Primary Examiner — Darlington Ly
Assistant Examiner — Katherine A Holbrow

(30) **Foreign Application Priority Data**

(74) *Attorney, Agent, or Firm* — NSIP Law

May 11, 2018 (KR) 30-2018-0021971

(51) **LOC (12) Cl.** **14-04**

(52) **U.S. Cl.**
USPC **D14/486**; D14/488

(58) **Field of Classification Search**
USPC D14/485-495
CPC H04N 5/23293; H04N 5/23216; H04N
5/23296; H04N 5/232933; H04N
5/232939

See application file for complete search history.

(56) **References Cited**

U.S. PATENT DOCUMENTS

5,392,388 A * 2/1995 Gibson G06F 3/04845
345/684
D669,499 S * 10/2012 Gardner D14/495
D698,363 S * 1/2014 Asai D14/488
D716,325 S * 10/2014 Brudnicki D14/486
D722,079 S * 2/2015 Charles D14/488
D724,621 S * 3/2015 Rydenhag D14/489
D739,872 S * 9/2015 Bang D14/488
D741,898 S * 10/2015 Soegiono D14/488
D747,333 S * 1/2016 Supino D14/486

(57) **CLAIM**

I claim the ornamental design for a display screen or portion thereof with transitional graphical user interface, as shown and described.

DESCRIPTION

FIG. 1 is the first image in a sequence for a display screen or portion thereof with transitional graphical user interface showing my new design;

FIG. 2 is the second image thereof;

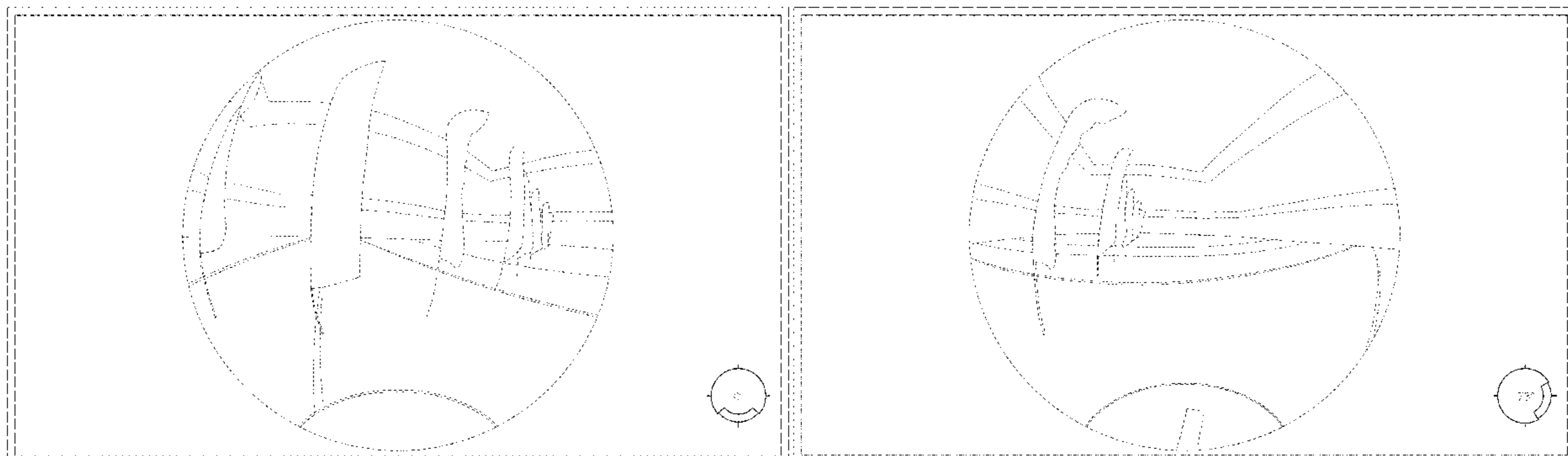
FIG. 3 is the third image thereof; and,

FIG. 4 is the fourth image thereof.

The outer broken lines in the figures depict a display screen or portion thereof and form no part of the claimed design. The remaining broken lines in the figures depict portions of the transitional graphical user interface that form no part of the claimed design.

The appearance of the graphical user interface sequentially transitions between the images shown in FIGS. 1-4. The process or period in which one image transitions to another forms no part of the claimed design.

1 Claim, 4 Drawing Sheets



(56)

References Cited

U.S. PATENT DOCUMENTS

D762,716	S *	8/2016	Yang	D14/489
D771,130	S *	11/2016	Cho	D14/490
D773,531	S *	12/2016	Toth	D14/491
D776,717	S *	1/2017	Asai	D14/494
D783,672	S *	4/2017	Rajasankar	D14/488
D788,166	S	5/2017	Hsu et al.		
D795,898	S *	8/2017	Li	D14/486
D808,974	S *	1/2018	Chiappone	D14/485
10,046,144	B2 *	8/2018	Lampropoulos	A61M 5/484
D832,871	S *	11/2018	Coleman	D14/486
D870,738	S *	12/2019	Robinson	D14/485
D870,771	S *	12/2019	Butcher	D14/489
D873,281	S *	1/2020	Van Gerbig	D14/485
2005/0278647	A1 *	12/2005	Leavitt	G06F 3/04817 715/765

* cited by examiner

FIG. 1

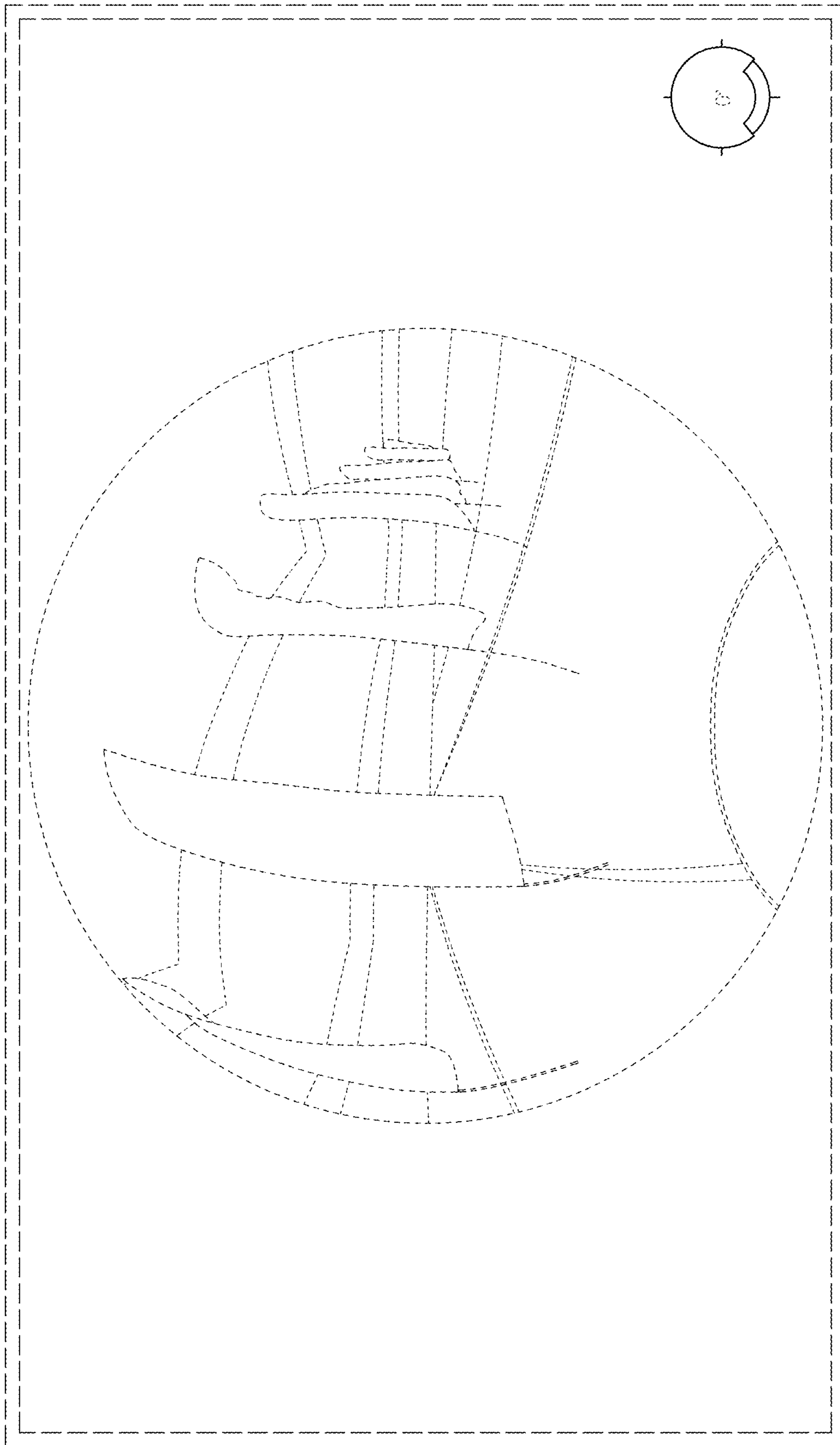


FIG. 2

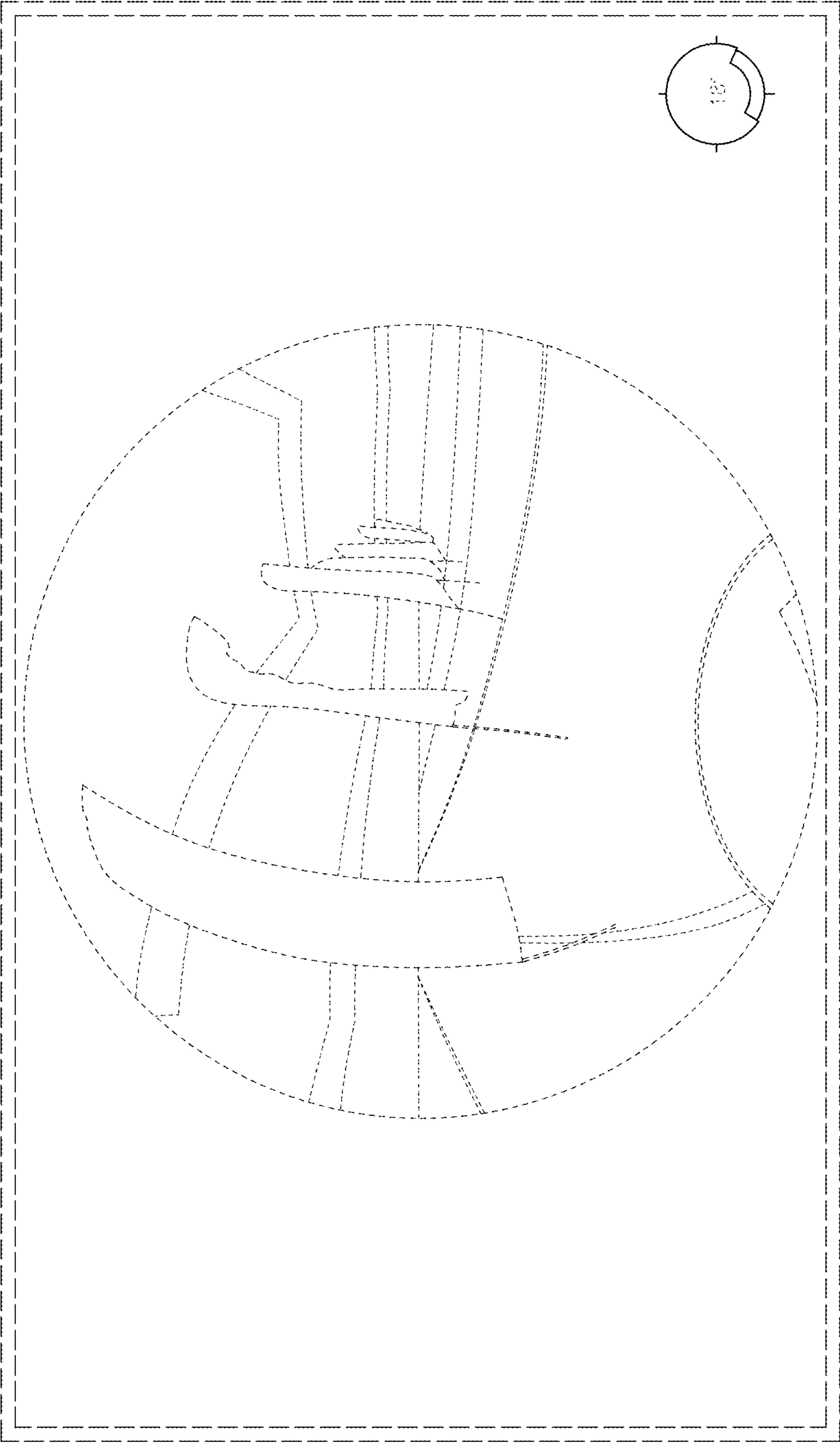


FIG. 3

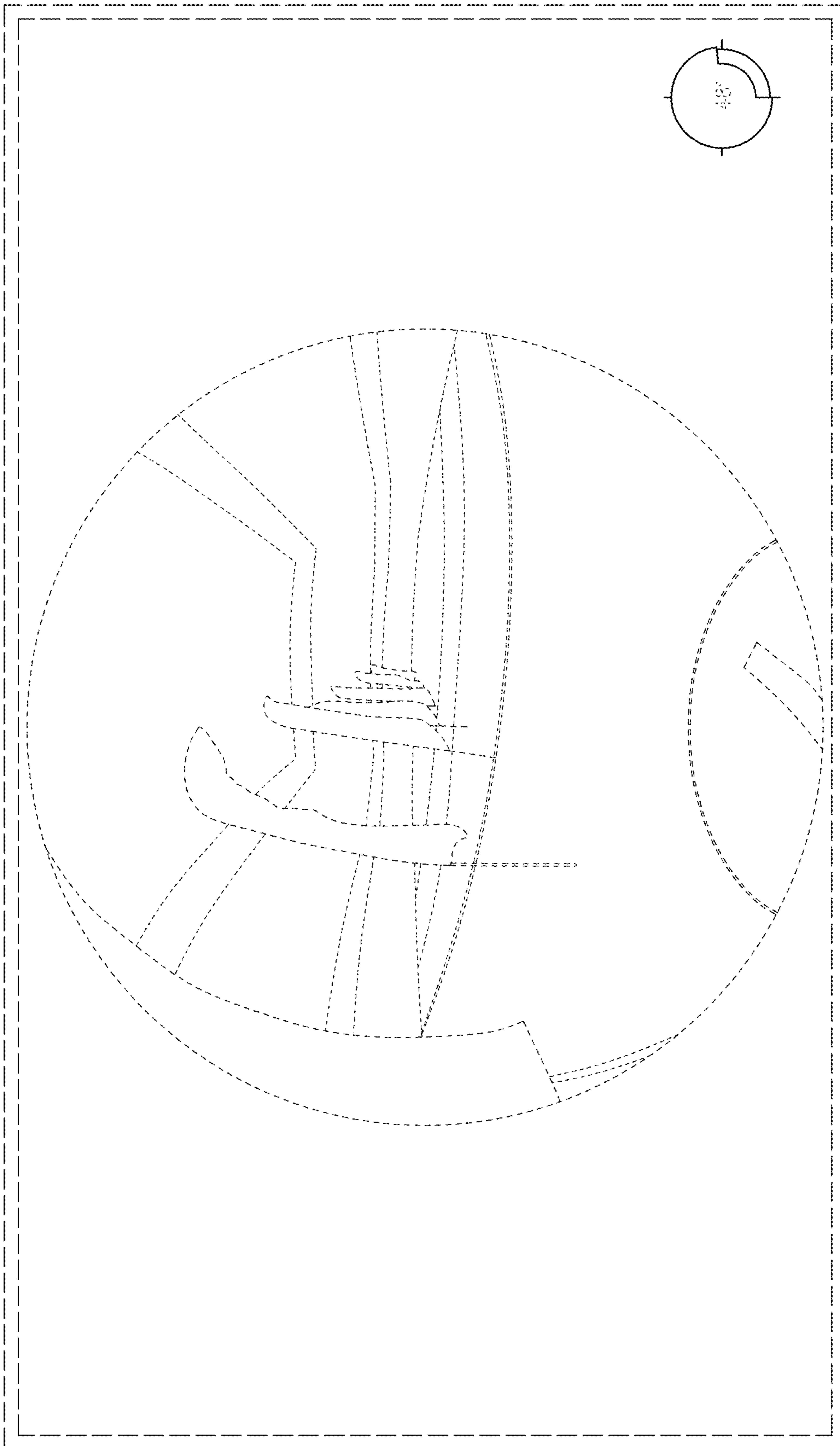


FIG. 4

