



US00D884711S

(12) **United States Design Patent** (10) **Patent No.:** **US D884,711 S**
Zhang et al. (45) **Date of Patent:** **** May 19, 2020**

(54) **HOLDER FOR MOBILE PHONE OR TABLET COMPUTER**

(56)

References Cited

U.S. PATENT DOCUMENTS

(71) Applicants: **Qingsen Zhang**, Guangdong (CN);
Junling Chen, Guangdong (CN);
Jiarong Liang, Guangdong (CN)

D549,232 S *	8/2007	Li	D14/434
D674,805 S *	1/2013	Vincent	D14/447
D687,832 S *	8/2013	Edwards	D14/447
D693,352 S *	11/2013	Gelsomini	D14/447
D707,230 S *	6/2014	Castronovo	D14/447
D792,414 S *	7/2017	Floersch	D14/447
D792,415 S *	7/2017	Tsai	D14/447
D795,266 S *	8/2017	Williams	D14/447
D841,014 S *	2/2019	Laudadio	D14/447
D865,747 S *	11/2019	Sage	D14/253

(72) Inventors: **Qingsen Zhang**, Guangdong (CN);
Junling Chen, Guangdong (CN);
Jiarong Liang, Guangdong (CN)

(**) Term: **15 Years**

* cited by examiner

(21) Appl. No.: **29/683,202**

Primary Examiner — Angela J Lee

(22) Filed: **Mar. 12, 2019**

(74) *Attorney, Agent, or Firm* — ZANIP

(30) **Foreign Application Priority Data**

(57) **CLAIM**

Sep. 13, 2018 (CN) 2018 3 0515788

The ornamental design for a holder for mobile phone or tablet computer, as shown and described.

(51) **LOC (12) Cl.** **08-07**

DESCRIPTION

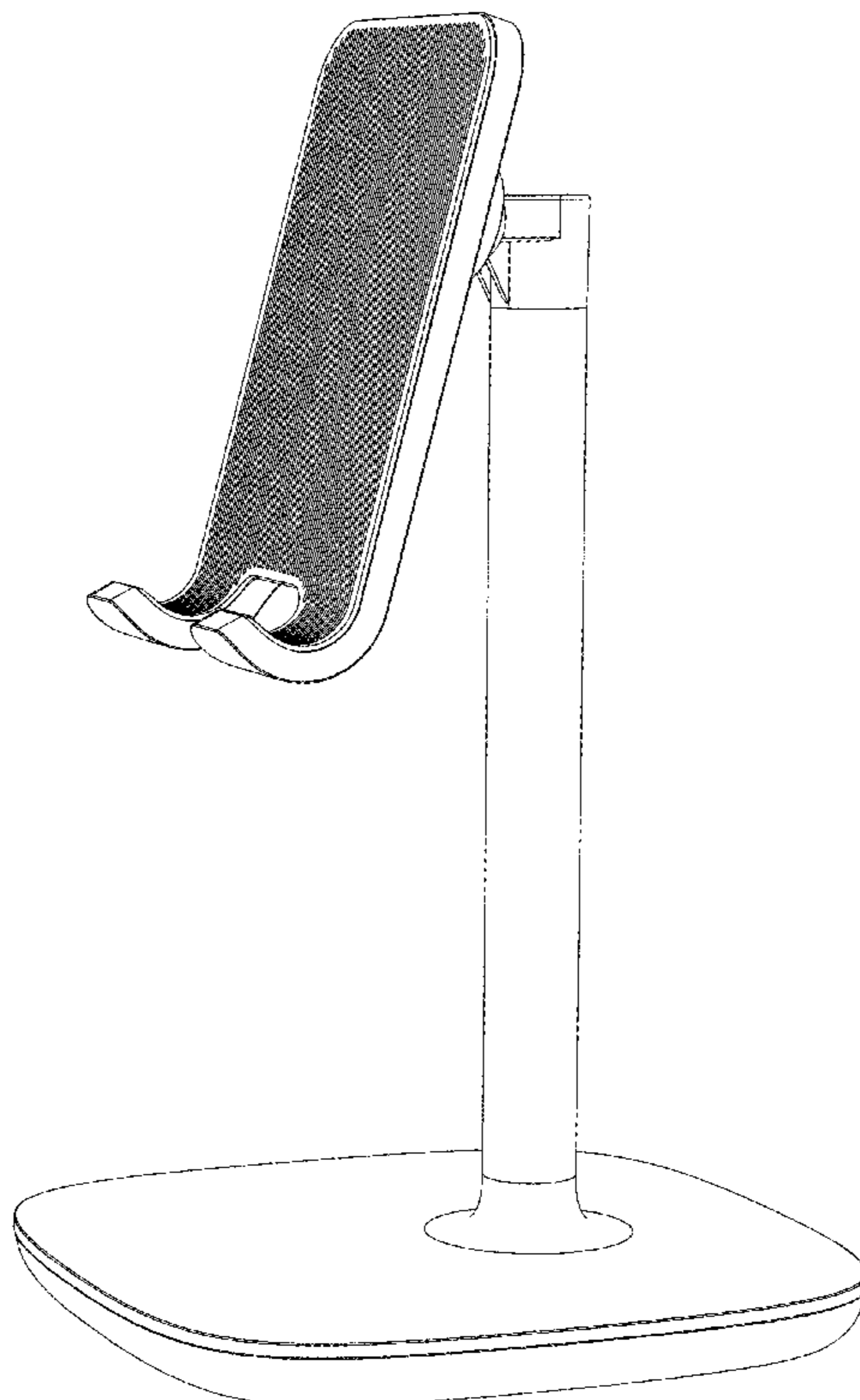
(52) **U.S. Cl.**
USPC **D14/447**

(58) **Field of Classification Search**
USPC D14/447, 432, 434, 439, 440, 451, 452,
D14/457, 239, 253; D8/363, 373, 380;
D6/406.3, 406.4, 406.5, 406.6; D12/415
CPC A47B 21/04; A47B 2097/006; A47B
2097/005; A47B 2023/049; A45C
2011/002; A45C 2011/003; F16M
2200/00; F16M 13/00

FIG. 1 is a perspective view of a holder for mobile phone or tablet computer showing our new design; FIG. 2 is a front elevational view thereof; FIG. 3 is a rear elevational view thereof; FIG. 4 is a left side view thereof; FIG. 5 is a right side view thereof; FIG. 6 is a top plan view thereof; and, FIG. 7 is a bottom plan view thereof. The portions of the article shown in broken lines form no part of the claimed design.

See application file for complete search history.

1 Claim, 7 Drawing Sheets



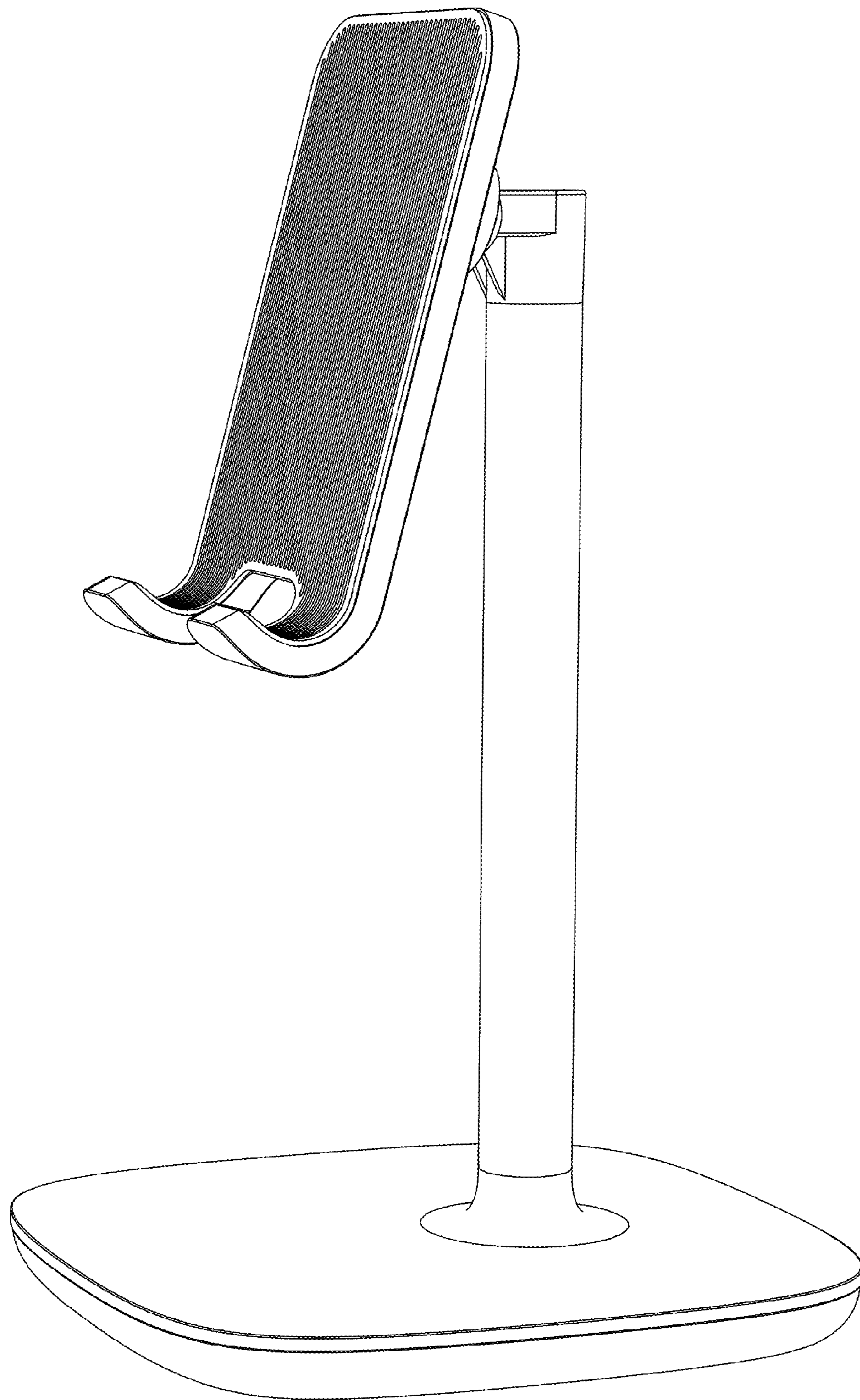


FIG. 1

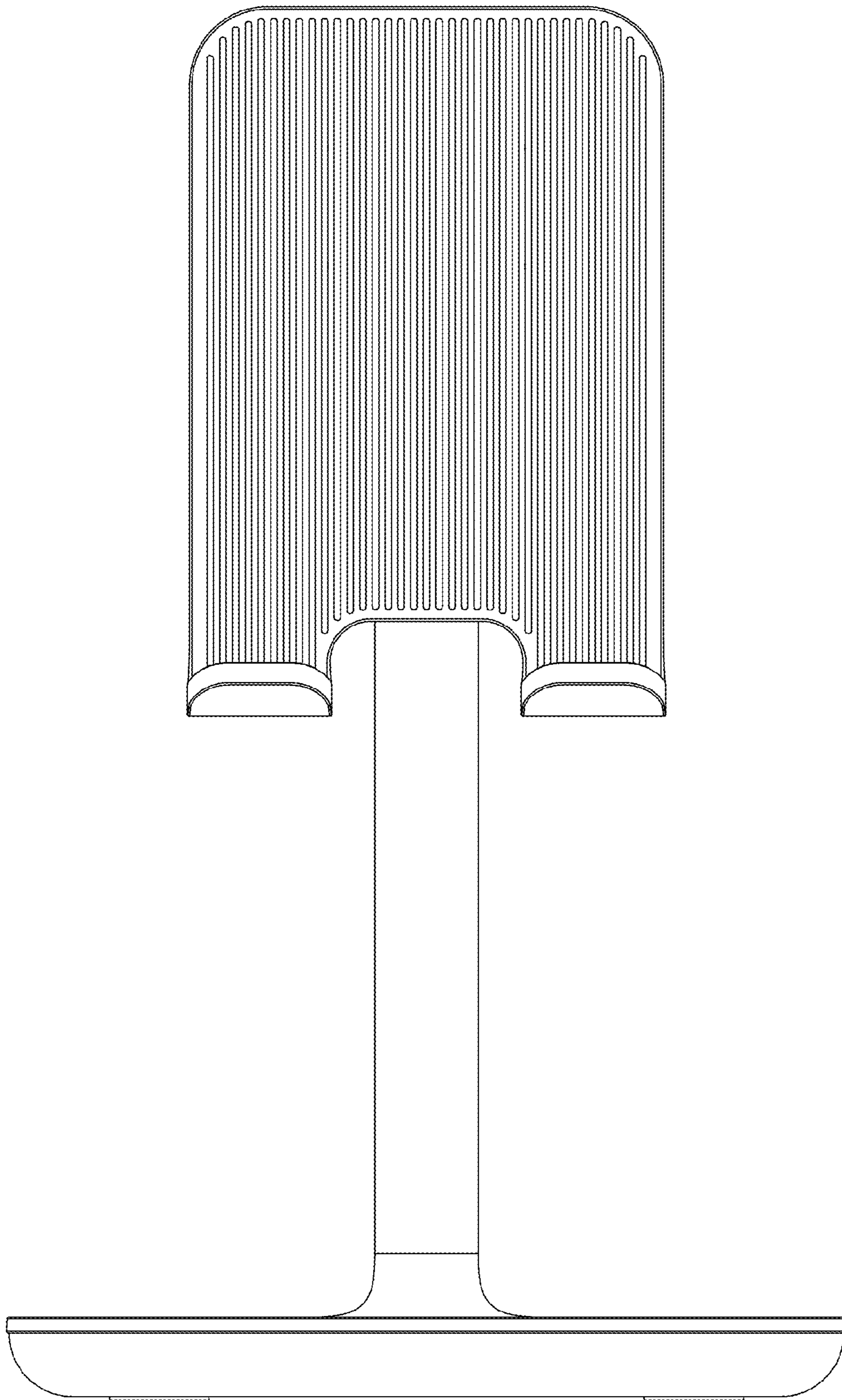


FIG. 2

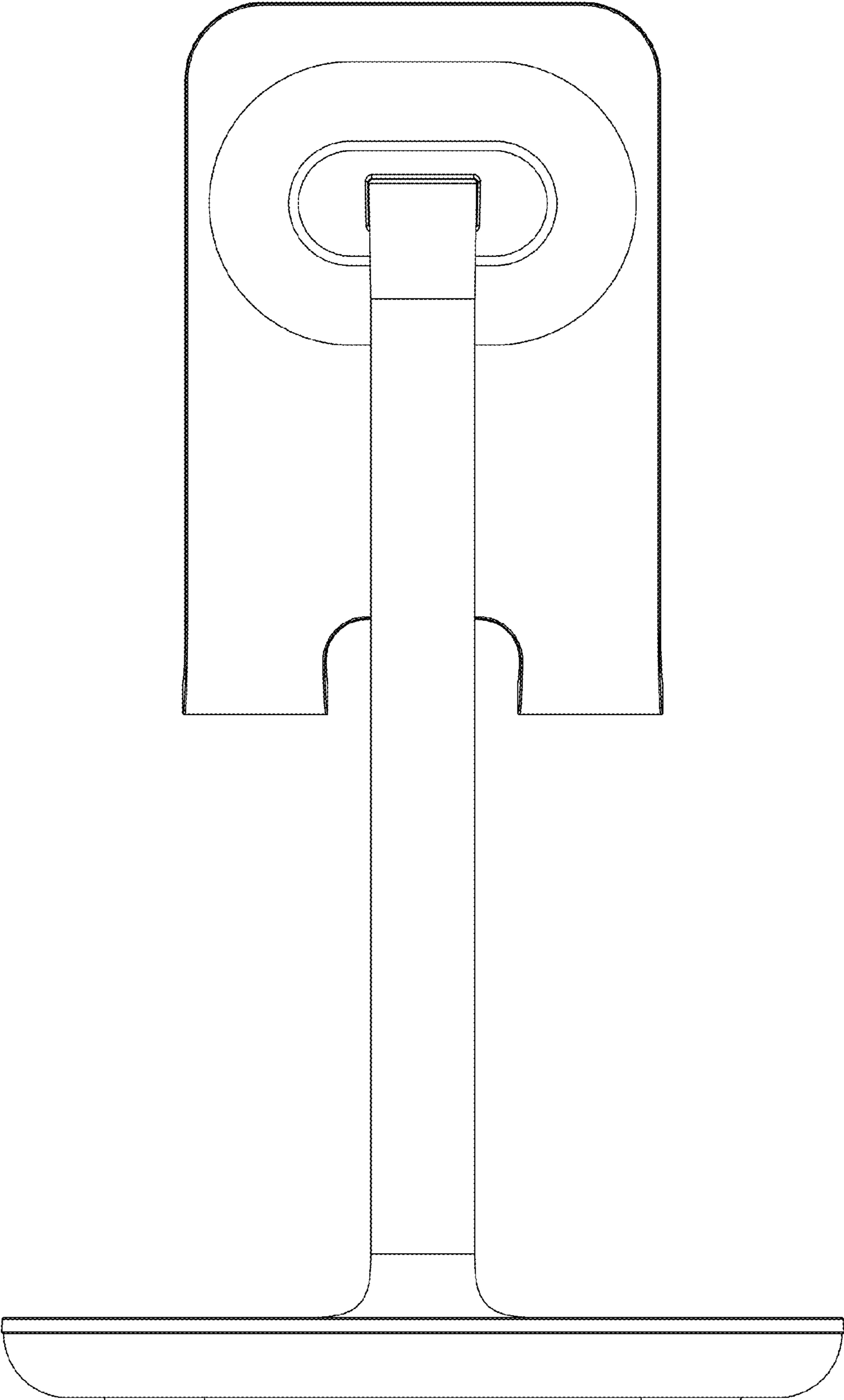


FIG. 3

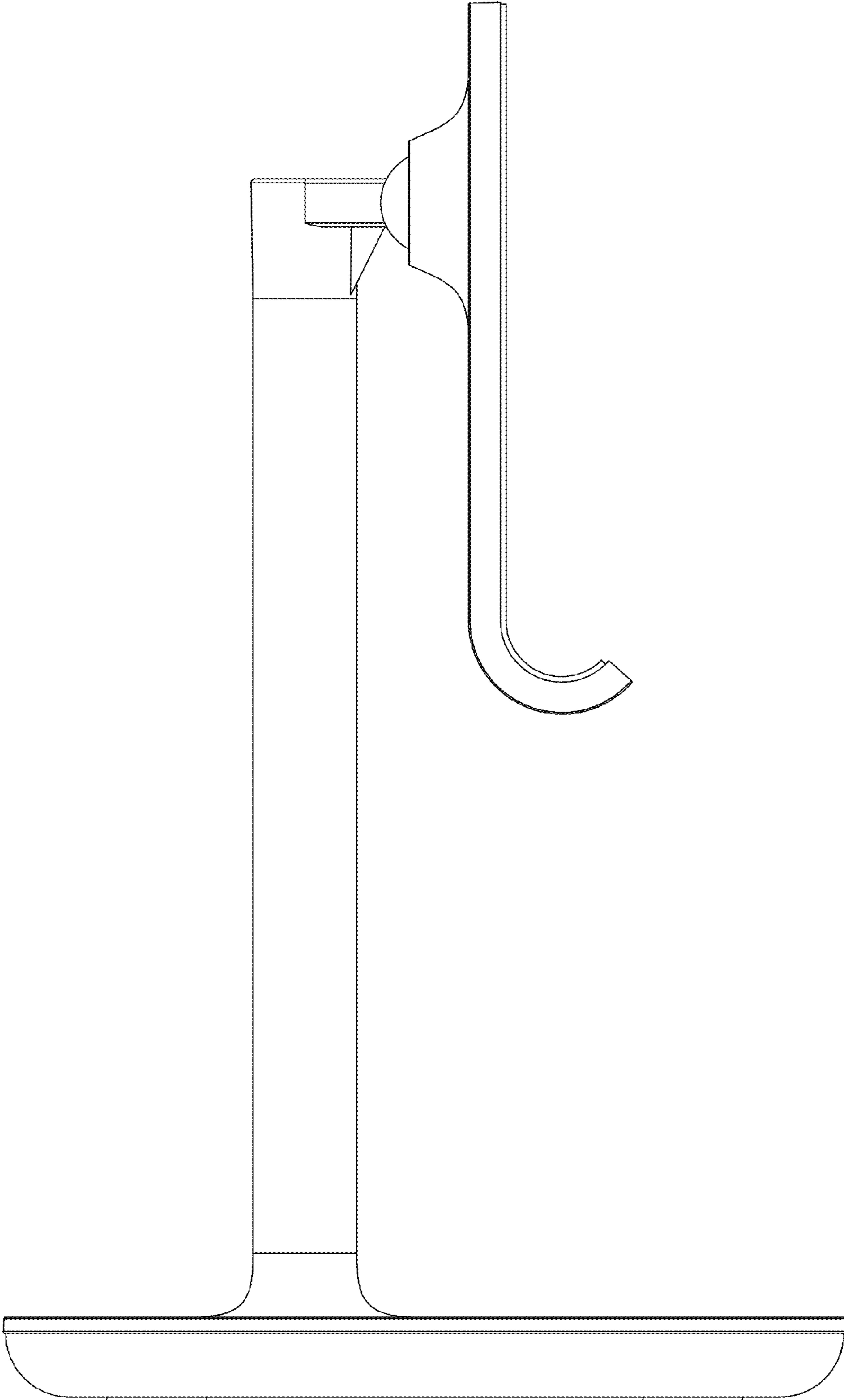


FIG.4

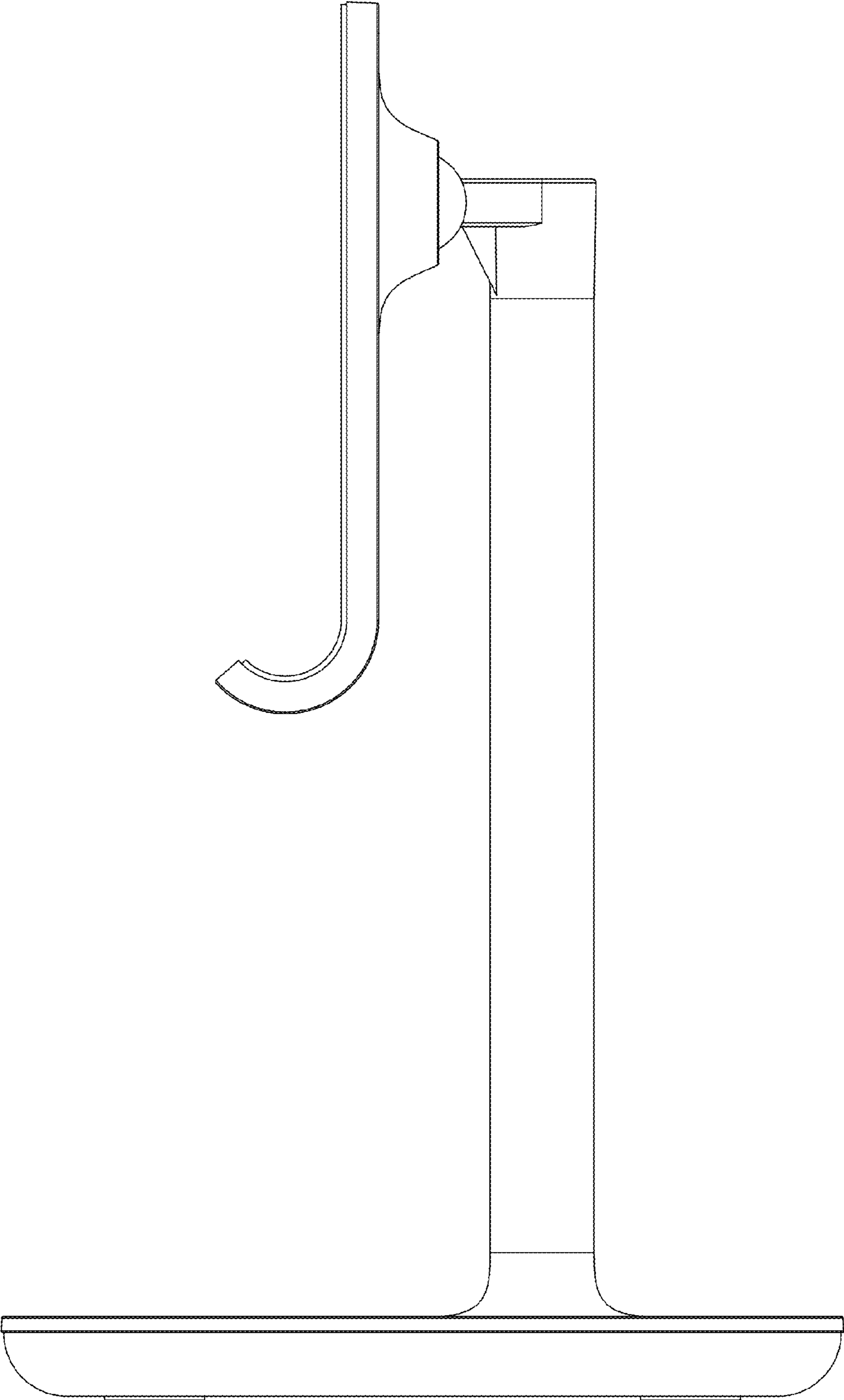


FIG. 5

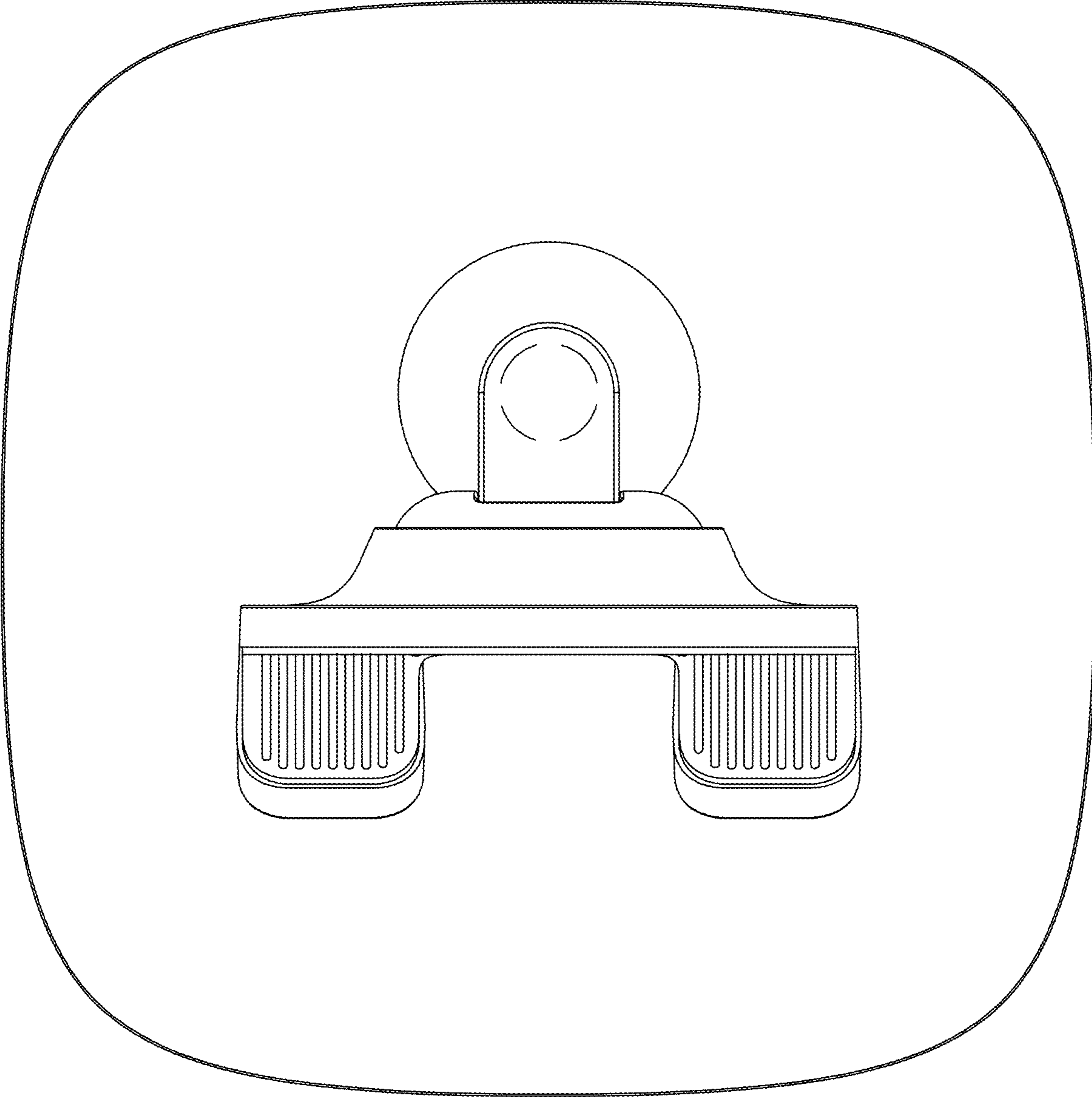


FIG. 6

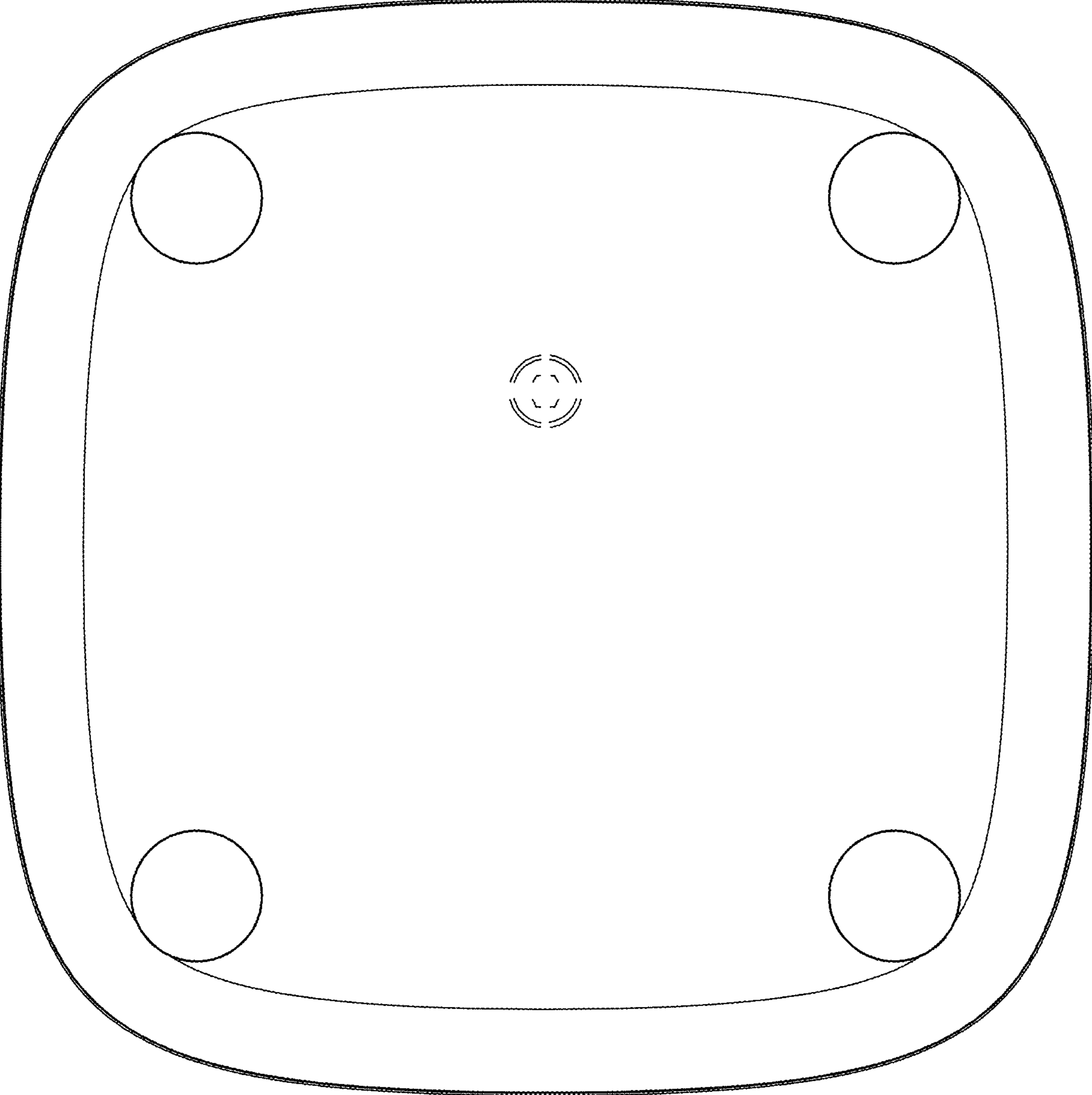


FIG. 7