



US00D884710S

(12) **United States Design Patent**
Hyun

(10) **Patent No.:** **US D884,710 S**

(45) **Date of Patent:** **** May 19, 2020**

(54) **CASE FOR TABLET COMPUTER**

- (71) Applicant: **SPIGEN KOREA CO., LTD.**, Seoul (KR)
- (72) Inventor: **Young Kwang Hyun**, Seoul (KR)
- (73) Assignee: **Spigen Korea CO., LTD.**, Seoul (KR)
- (**) Term: **15 Years**
- (21) Appl. No.: **29/697,380**
- (22) Filed: **Jul. 8, 2019**

Related U.S. Application Data

- (63) Continuation of application No. 29/667,655, filed on Oct. 23, 2018, now Pat. No. Des. 857,023.
- (51) **LOC (12) Cl.** **14-02**
- (52) **U.S. Cl.**
USPC **D14/440**
- (58) **Field of Classification Search**
USPC D14/440, 447, 250; 206/45.23, 320, 206/45.2; 361/679.55; 294/25; 224/218
CPC G06F 1/1628; G06F 1/1626; A47B 23/044
See application file for complete search history.

(56) **References Cited**

U.S. PATENT DOCUMENTS

D658,186 S	4/2012	Akana et al.
D658,187 S	4/2012	Diebel
D658,188 S	4/2012	Diebel
D662,100 S	6/2012	Van Den Nieuwenhuizen et al.
D663,304 S	7/2012	Akana et al.
D671,114 S	11/2012	Akana et al.
D671,948 S	12/2012	Akana et al.
D674,799 S	1/2013	Kim
D674,800 S	1/2013	Kim
D678,260 S	3/2013	Bau
D681,641 S	5/2013	Van Den Nieuwenhuizen et al.
D682,836 S	5/2013	Akana et al.
D682,837 S	5/2013	Lee et al.

(Continued)

OTHER PUBLICATIONS

“iPad Air 3 Case (10.5 Inch, 2019), iPad Pro 10.5 Case, Poetic Flexible Soft Transparent TPU Clear Back Cover with Pencil Holder, Compatible with Apple Smart Keyboard and Smart Cover, Lumos, Clear”, <https://www.amazon.com/gp/product/B01N4LHPZE>, Earliest review date of Jun. 18, 2017, Downloaded Dec. 27, 2019.

(Continued)

Primary Examiner — Cynthia R Underwood

(74) *Attorney, Agent, or Firm* — Heedong Chae; Lucem, PC

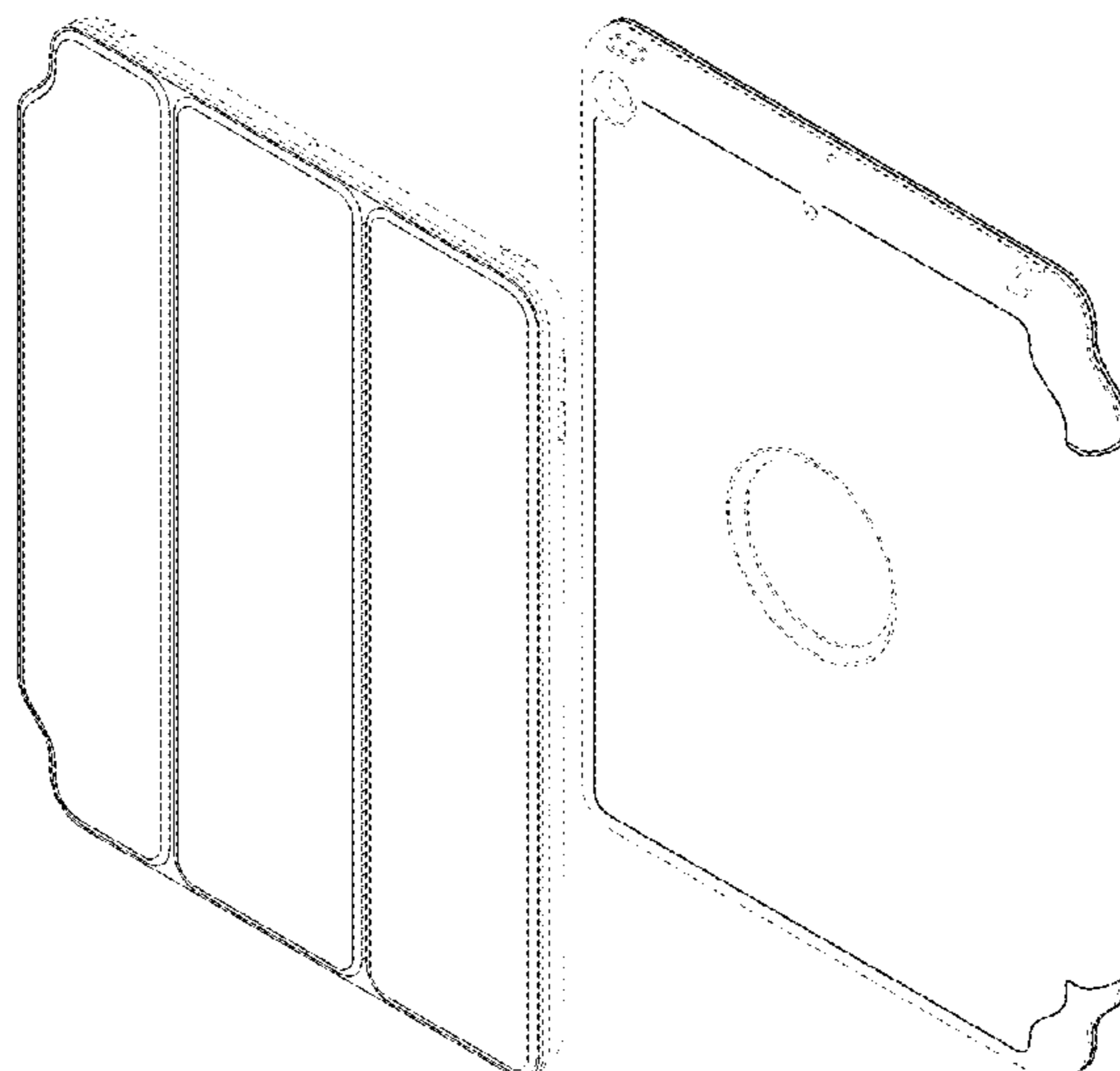
(57) **CLAIM**

The ornamental design for a case for tablet computer, as shown and described.

DESCRIPTION

FIG. 1 is a front perspective view of a case for tablet computer showing my new design;
 FIG. 2 is a rear perspective view thereof;
 FIG. 3 is a front elevational view thereof;
 FIG. 4 is a rear elevational view thereof;
 FIG. 5 is a left side elevational view thereof;
 FIG. 6 is a right side elevational view thereof;
 FIG. 7 is a top plan view thereof;
 FIG. 8 is a bottom plan view thereof;
 FIG. 9 is a front perspective view thereof in an open position;
 FIG. 10 is a front perspective view thereof in its folded configuration; and,
 FIG. 11 is a front perspective view thereof in its folded configuration with a stylus pen therein.
 The broken lines throughout the drawing figures depict portions of the case that form no part of the claimed design. The broken lines and regions bounded by broken lines form no part of the claimed design.

1 Claim, 11 Drawing Sheets



(56)

References Cited

U.S. PATENT DOCUMENTS

D682,838 S 5/2013 Akana et al.
 D685,803 S 7/2013 Akana et al.
 D687,438 S 8/2013 Lu
 D688,251 S 8/2013 Akana et al.
 D689,498 S 9/2013 Akana et al.
 D691,142 S 10/2013 Diebel
 D691,143 S 10/2013 Diebel
 D691,611 S 10/2013 Kirzinger
 D694,523 S 12/2013 Chiang
 D694,741 S 12/2013 Kim
 D696,253 S 12/2013 Akana et al.
 D696,256 S 12/2013 Piedra et al.
 D696,669 S 12/2013 Akana et al.
 D697,512 S 1/2014 Akana et al.
 D701,205 S 3/2014 Akana et al.
 D702,673 S 4/2014 Murchison et al.
 D703,209 S 4/2014 Marcus
 D704,702 S 5/2014 Akana et al.
 D706,270 S 6/2014 Akana et al.
 D708,172 S 7/2014 Ryu et al.
 D711,887 S 8/2014 Akana et al.
 D713,402 S 9/2014 Akana et al.
 D713,848 S 9/2014 Akana et al.
 D720,355 S 12/2014 Akana et al.
 D723,020 S 2/2015 Kim et al.
 D723,038 S 2/2015 Kim
 D723,041 S 2/2015 Kim
 D724,090 S 3/2015 Kim et al.
 D727,919 S 4/2015 Melmon et al.
 D730,362 S 5/2015 Akana et al.
 D735,205 S 7/2015 Akana et al.
 D740,292 S 10/2015 Akana et al.
 D745,011 S 12/2015 Akana et al.
 D750,632 S 3/2016 Diebel
 D752,593 S * 3/2016 Diebel G06F 1/1679
 D754,654 S 4/2016 Akana et al.
 D760,232 S 6/2016 Akana et al.
 D761,267 S 7/2016 Chen et al.
 D765,637 S 9/2016 Lay et al.
 D765,639 S 9/2016 Lay et al.
 D770,457 S 11/2016 Massucco et al.
 D773,454 S 12/2016 Akana et al.
 D773,470 S 12/2016 Akana et al.
 D779,485 S 2/2017 Akana et al.
 D784,995 S 4/2017 Akana et al.
 D792,884 S 7/2017 Nyholm
 D807,365 S 1/2018 Liu
 D819,038 S 5/2018 Diebel
 D820,838 S 6/2018 Akana et al.
 D823,854 S 7/2018 Enqvist
 D827,650 S 9/2018 Diebel
 D832,270 S 10/2018 Cheng
 D839,275 S 1/2019 Moore et al.
 D845,305 S 4/2019 Xu
 D845,307 S 4/2019 Hallar et al.
 D847,819 S 5/2019 Mecchella et al.
 D850,452 S 6/2019 Akana et al.
 D851,093 S 6/2019 Moore et al.
 D852,132 S 6/2019 Nauroy
 D852,198 S 6/2019 Moore et al.
 D852,802 S 7/2019 Gao
 2008/0167095 A1 * 7/2008 Kim H04M 1/0216
 455/575.3
 2009/0159763 A1 * 6/2009 Kim F16M 13/00
 248/174
 2009/0194209 A1 * 8/2009 De Filippis A45C 11/00
 150/107
 2012/0268891 A1 * 10/2012 Cencioni G06F 1/1626
 361/679.55
 2012/0308981 A1 * 12/2012 Libin G09B 3/00
 434/362
 2013/0088431 A1 * 4/2013 Ballagas G06F 1/1626
 345/168

2013/0223005 A1 * 8/2013 Smith G06F 1/1628
 361/679.55
 2013/0233762 A1 * 9/2013 Balaji B65D 25/00
 206/736
 2013/0241381 A1 * 9/2013 Hyneczek H05K 5/0217
 312/240
 2014/0246340 A1 * 9/2014 Jiang A45C 11/00
 206/45.23
 2015/0065208 A1 * 3/2015 Balaji H04M 1/04
 455/575.8
 2015/0151887 A1 * 6/2015 Huang A45C 11/00
 224/191
 2015/0237979 A1 * 8/2015 Huang A45C 11/00
 206/45.25
 2015/0263776 A1 * 9/2015 Shyu A45C 13/002
 455/575.8
 2015/0266610 A1 * 9/2015 Melmon B65D 5/5206
 206/45.23
 2015/0280768 A1 * 10/2015 Huang H04B 1/3888
 455/575.8

OTHER PUBLICATIONS

“ZtotopCase for iPad Air 10.5" (3rd Gen) 2019/iPad Pro 10.5" 2017 with Pencil Holder, Ultra Slim Soft TPU Back and Trifold Stand Cover with Auto Sleep/Wake Full Body Protective Smart Case, Black”, <https://www.amazon.com/Ztotop-10-5-Protective-A1701-A1709/dp/B078WPW46H>, Earliest review date of Jan. 9, 2018, Downloaded Dec. 27, 2019.
 “iPad 9.7 Case, Poetic Lumos TPU Cover with [Pencil Holder] [Apple Smart Cover Compatible] Ultra-Thin Impact Resistant Flexible Soft TPU Case for iPad 9.7 (6th Gen 2018) (5th Gen 2017) Crystal Clear”, <https://www.amazon.com/Poetic-Compatible-Ultra-Thin-Resistant-Flexible/dp/B07C9G5678>, Earliest review date of Mar. 27, 2018, Downloaded Dec. 27, 2019.
 “Infiland Apple iPad Air (3rd Gen) 10.5 Inch 2019 / iPad Pro 10.5 2017 TPU Smart Case Cover with Pencil Holder (Auto Wake/Sleep), Black”, <https://www.amazon.com/Infiland-Pencil-Holder-Tri-Fold-Released/dp/B07BSYPB2H?th=1>, Earliest review date of Mar. 29, 2018, Downloaded Dec. 27, 2019.
 “Fintie Case with Built-in Apple Pencil Holder for iPad 9.7 2018 2017 / iPad Air 2 / iPad Air—[SlimShell] Lightweight Soft TPU Back Protective Cover w/Auto Wake Sleep, Black”, <https://www.amazon.com/Fintie-Built-Apple-Pencil-Holder/dp/B07CJRMFKN>, Earliest review date of Apr. 19, 2018, Downloaded Dec. 27, 2019.
 “Soke iPad 9.7 2018/2017 Case with Pencil Holder, Slim Fit Smart iPad Case Trifold Stand with Shockproof Soft TPU Back Cover and Auto Sleep/Wake Function for iPad 9.7 inch 5th/6th Generation, Black”, <https://www.amazon.com/Soke-Trifold-Shockproof-Function-Generation/dp/B07GXB8G3G>, Earliest review date of Apr. 19, 2018, Downloaded Dec. 27, 2019.
 “SWEES Compatible iPad 9.7 2018/2017 Case with Pencil Holder, Shockproof Durable Smart Cover Leather Case with Built-in Apple Pencil Holder Compatible iPad 9.7 inch 6th/5th Generation, Rose Gold”, <https://www.amazon.com/SWEES-Compatible-Shockproof-Durable-Generation/dp/B07CLPCY3W>, Earliest review date of Apr. 23, 2018, Downloaded Dec. 27, 2019.
 “Infiland iPad 9.7 2018 Case, Tri-Fold Smart Cover with Apple Pencil Holder Compatible with Apple iPad 6th Gen 9.7 Inch 2018 Released (Auto Wake/Sleep), Black”, <https://www.amazon.com/Infiland-Tri-Fold-Pencil-Compatible-Released/dp/B07CNPBZ1D?th=1>, Earliest review date of Apr. 25, 2018, Downloaded Dec. 27, 2019.
 “Ztotop Case for iPad Pro 12.9 Inch 2017/2015 with Pencil Holder—Lightweight Soft TPU Back Cover and Trifold Stand with Auto Sleep/Wake, Protective for iPad Pro 12.9 Inch(1st & 2nd Gen), Black”, <https://www.amazon.com/Ztotop-Holder-Lightweight-Trifold-Protective/dp/B07DMDMHS6>, Earliest review date of Jun. 8, 2018, Downloaded Dec. 27, 2019.
 “Infiland iPad 9.7 2018 Translucent Frosted Back Case Cover with Apple Pencil Holder Compatible with Apple iPad 9.7inch (6th Gen) 2018, Navy”, <https://www.amazon.com/Infiland-Lightweight->

(56)

References Cited

OTHER PUBLICATIONS

Translucent-Frosted-9-7inch/dp/B07FDVCR8H?th=1, Earliest review date of Aug. 13, 2018, Downloaded Dec. 27, 2019.

“IVSO iPad Pro 12.9 Case with Keyboard 2018-3rd Gen One-Piece Wireless Keyboard Stand [Compatible Apple Pencil Charging] Auto Wake Sleep Keyboard Case for iPad Pro 12.9 2018 (Not for 2017/2017) Purple”, <https://www.amazon.com/IVSO-Keybaord-2018-3rd-One-Piece-Supported/dp/B07NSKNNQ1>, Earliest review date of Sep. 4, 2018, Downloaded Dec. 27, 2019.

“Ayotu Soft Case for iPad Air 10.5" (3rd Gen) 2019/iPad Pro 10.5" 2017, Auto Sleep/Wake Multi-Angle Viewing Folio Stand Cover Cases with Pencil Holder for Apple iPad Air3 3rd Generation,Blue”, <https://www.amazon.com/Ayotu-Lightweight-Trifold-Full-Body-Protective/dp/B07H3PKNM7>, Earliest review date of Sep. 5, 2018, Downloaded Dec. 27, 2019.

* cited by examiner

FIG. 1

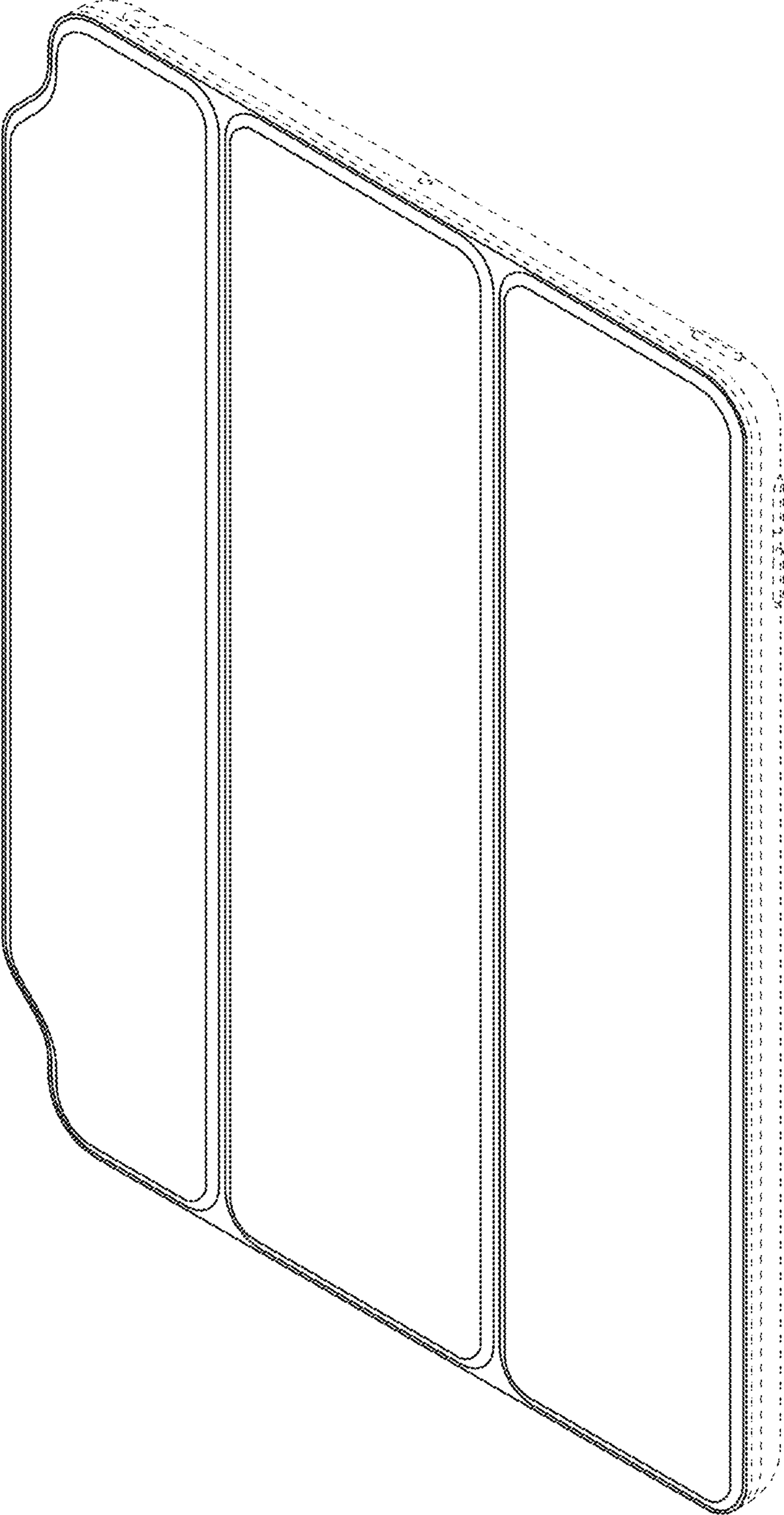


FIG. 2

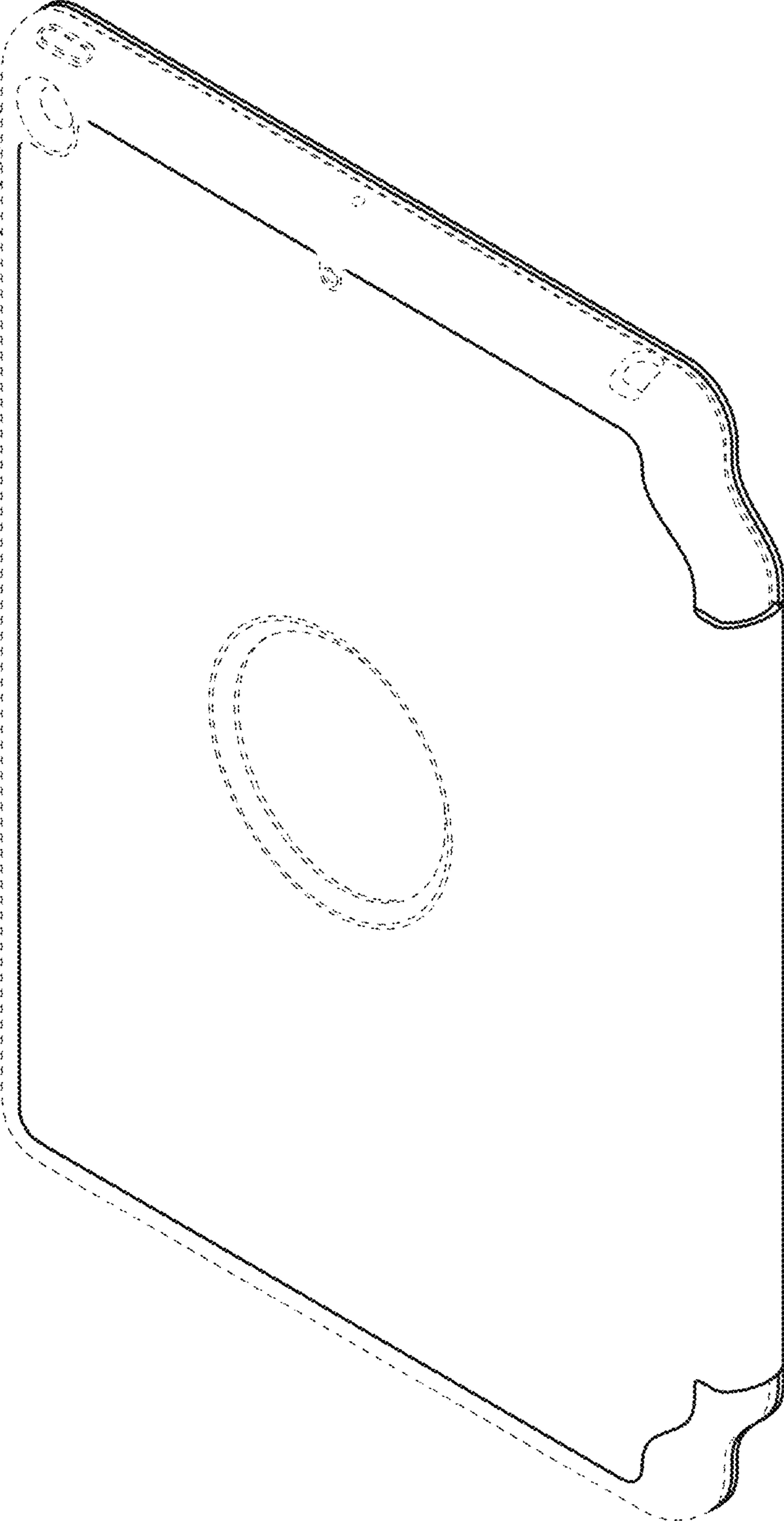


FIG. 3

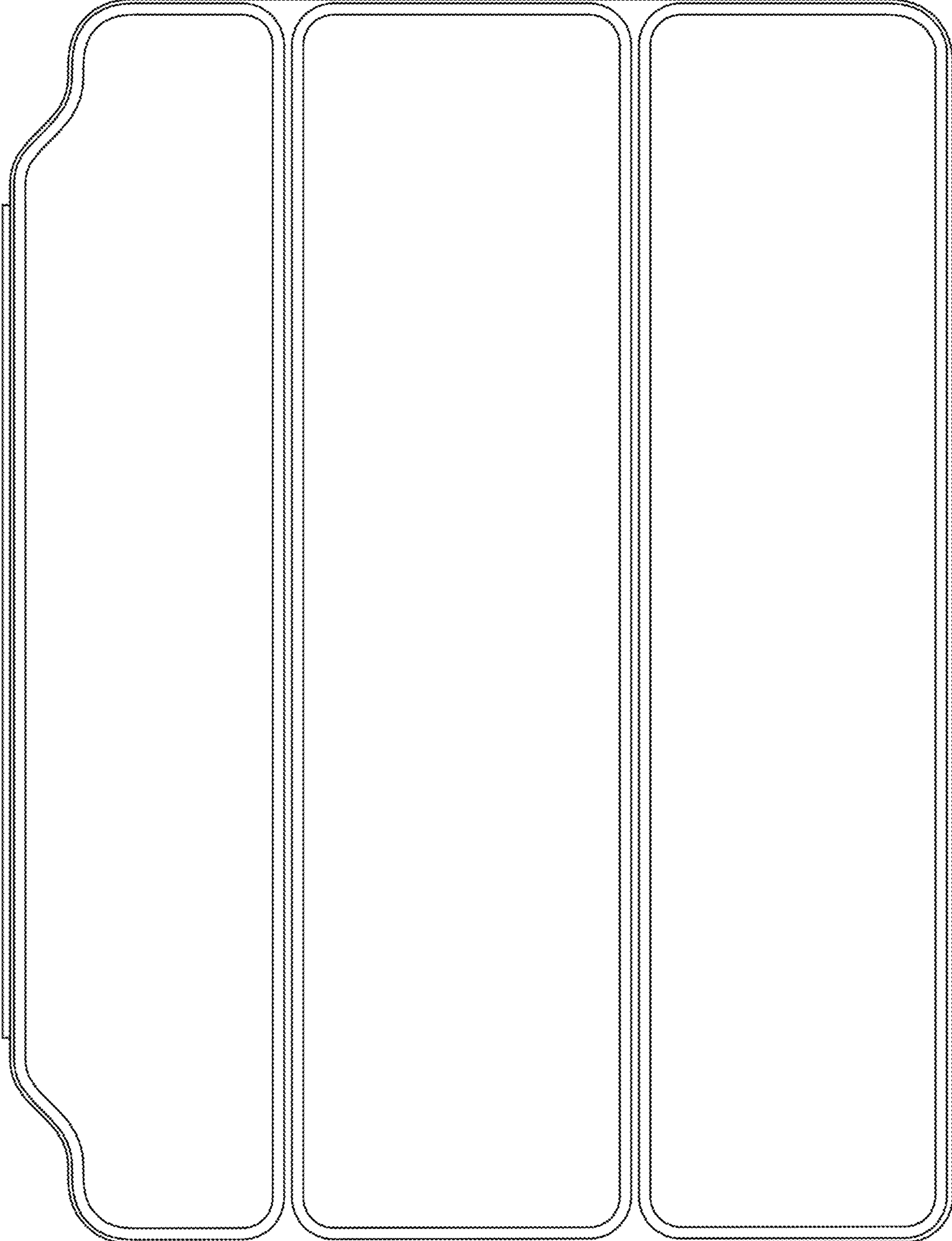


FIG. 4

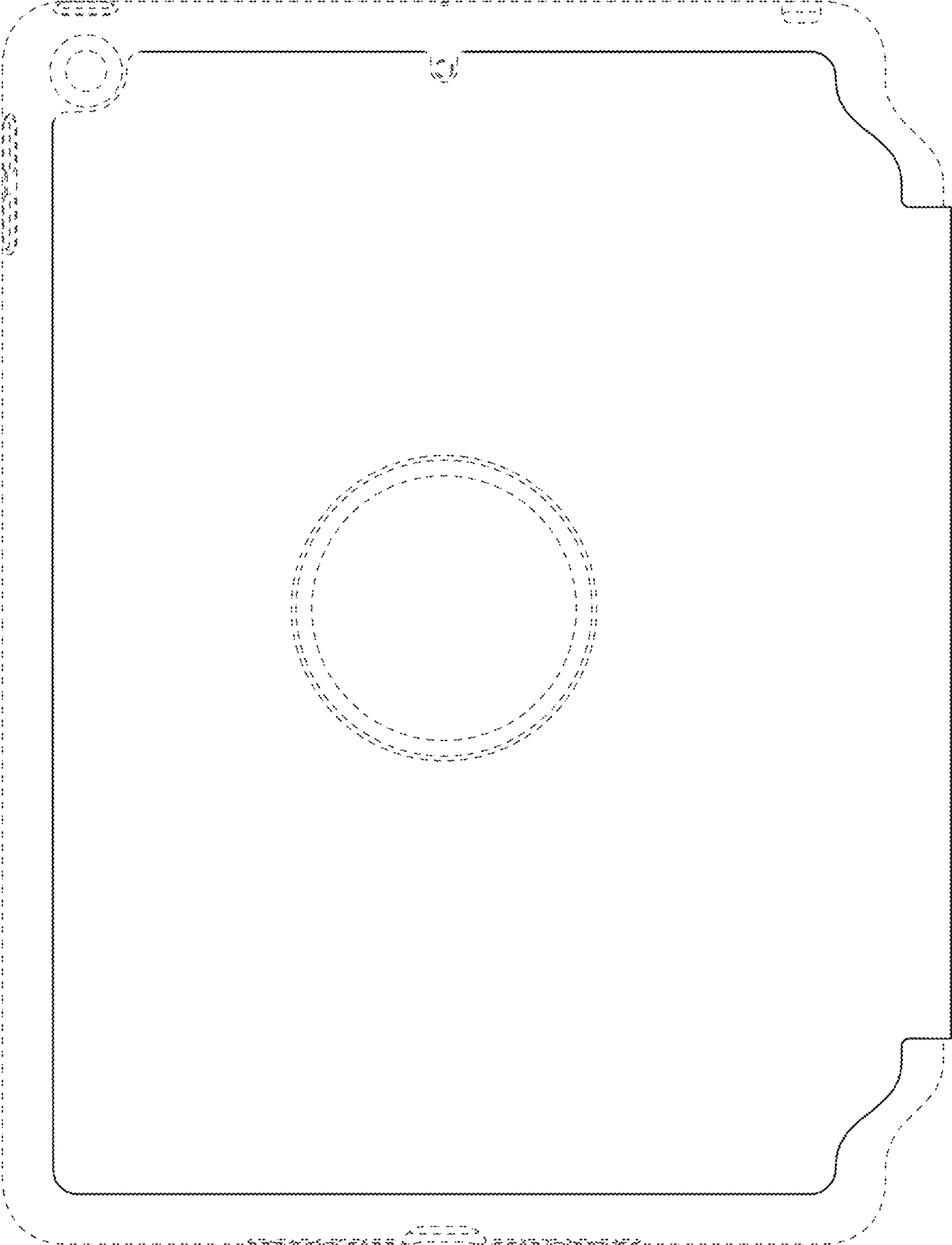


FIG. 5

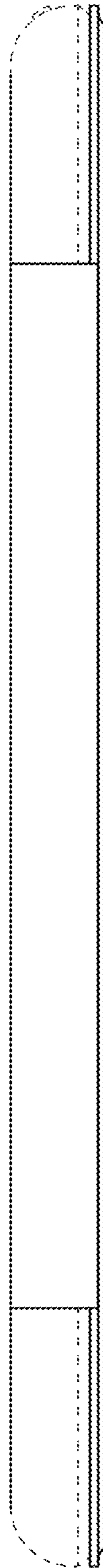


FIG. 6

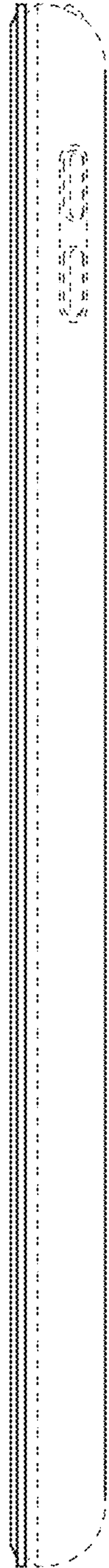


FIG. 7

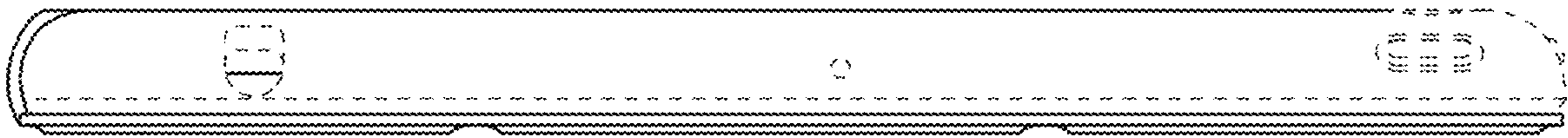


FIG. 8



FIG. 9

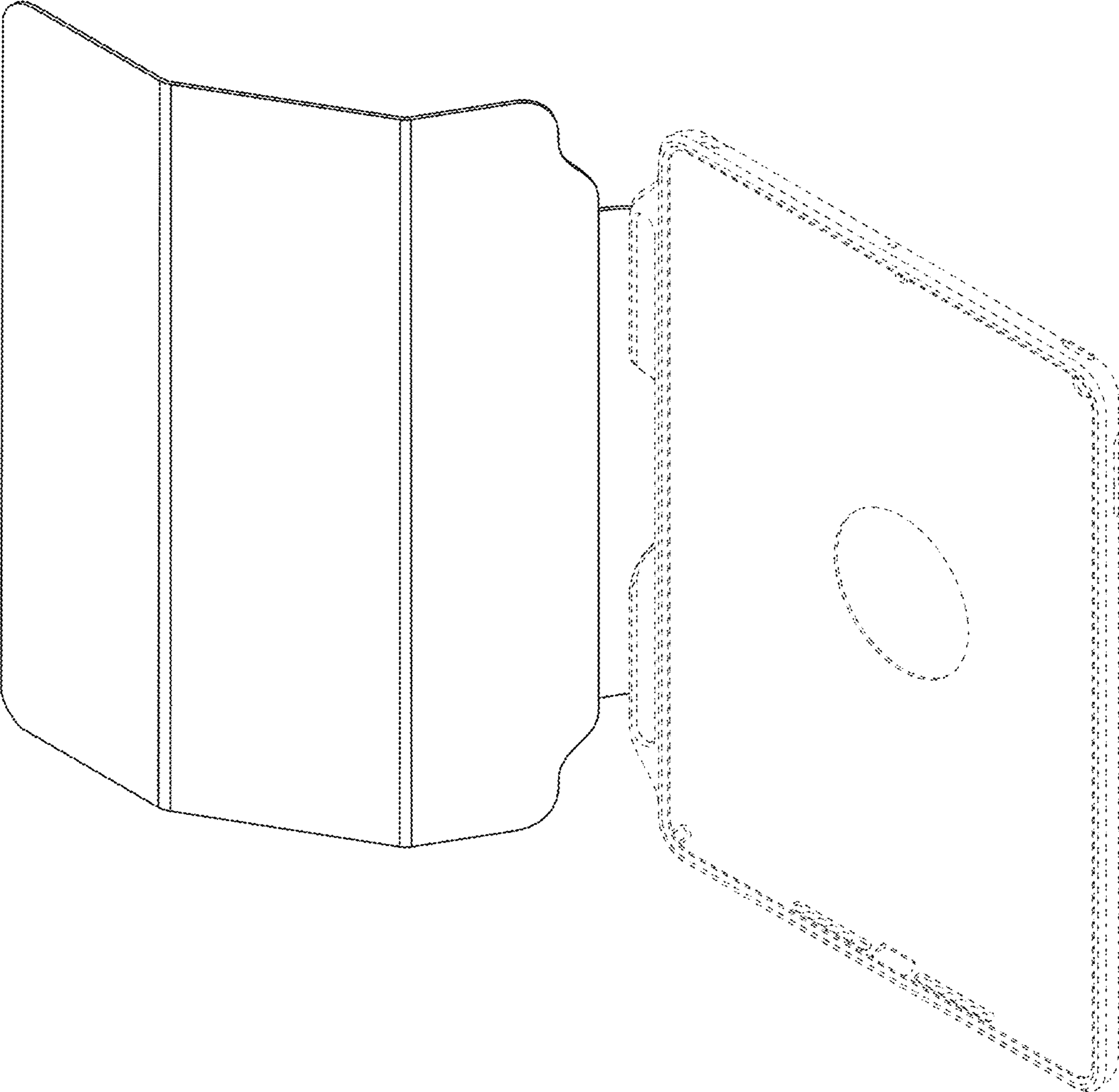


FIG. 10

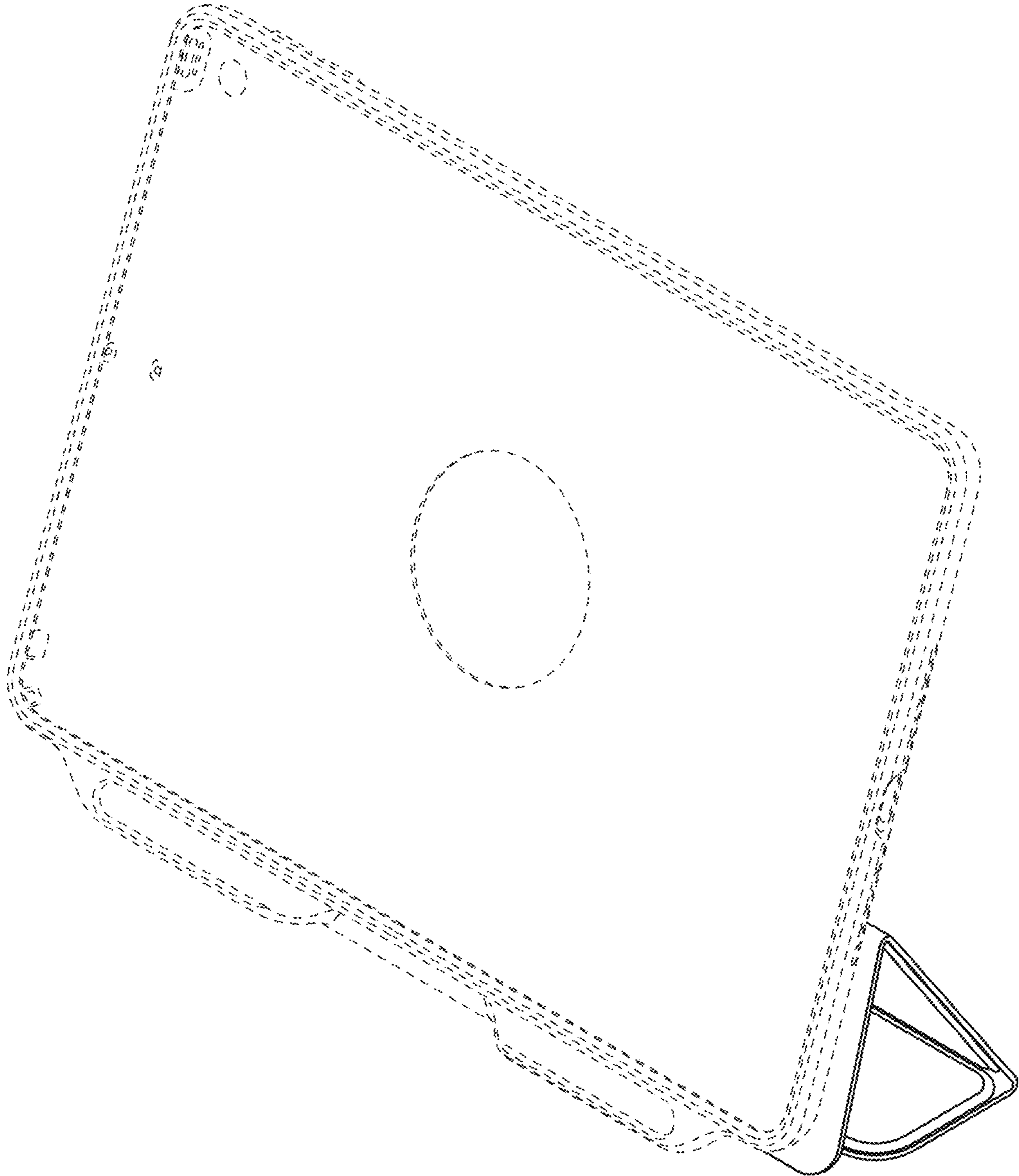


FIG. 11

