



US00D884706S

(12) **United States Design Patent**
Verschoor et al.

(10) **Patent No.:** **US D884,706 S**
(45) **Date of Patent:** **** May 19, 2020**

(54) **CONNECTOR HOUSING FOR MEDICAL OPTICAL FIBERS**

(71) Applicant: **KONINKLIJKE PHILIPS N.V.**,
Eindhoven (NL)

(72) Inventors: **Volker Barnhart Verschoor**,
Eindhoven (NL); **Maarten Renaat**
Andreas Desnijder, Wondelgem (BE)

(73) Assignee: **KONINKLIJKE PHILIPS N.V.**,
Eindhoven (NL)

(**) Term: **15 Years**

(21) Appl. No.: **35/504,441**

(22) Filed: **Aug. 14, 2017**

(80) **Hague Agreement Data**

Int. Filing Date: **Aug. 14, 2017**

Int. Reg. No.: **DM/097360**

Int. Reg. Date: **Aug. 14, 2017**

Int. Reg. Pub. Date: **Feb. 16, 2018**

(30) **Foreign Application Priority Data**

Mar. 27, 2017 (EM) 003824622-0001

Mar. 27, 2017 (EM) 003824622-0002

(51) **LOC (12) Cl.** **14-02**

(52) **U.S. Cl.**
USPC **D14/433**

(58) **Field of Classification Search**
USPC D14/433, 100, 107, 114, 121; D13/133,
D13/123, 184, 153, 155
CPC G02B 6/3825; G02B 6/3887
See application file for complete search history.

(56) **References Cited**

U.S. PATENT DOCUMENTS

4,645,295 A * 2/1987 Pronovost G02B 6/3831
385/55

D331,572 S * 12/1992 Roe D14/433

D363,989 S * 11/1995 Crouse D24/187
D388,766 S * 1/1998 Kuprewicz D13/133
5,915,058 A * 6/1999 Clairardin G02B 6/3825
385/77
D434,376 S * 11/2000 Connelly D13/133
6,623,172 B1 * 9/2003 de Jong G02B 6/3806
385/59
6,702,617 B1 * 3/2004 Clement H01R 9/035
439/607.08
6,916,120 B2 * 7/2005 Zimmer G02B 6/3843
385/78
D582,848 S * 12/2008 Johansson D13/123
D585,025 S * 1/2009 Kudo D13/133
D592,149 S * 5/2009 Lee D13/153
D603,805 S * 11/2009 Levy D13/154
D620,899 S * 8/2010 Wang D13/184
D649,970 S * 12/2011 Lyford D14/433

(Continued)

Primary Examiner — Kendra Leslie Hamilton

(57) **CLAIM**

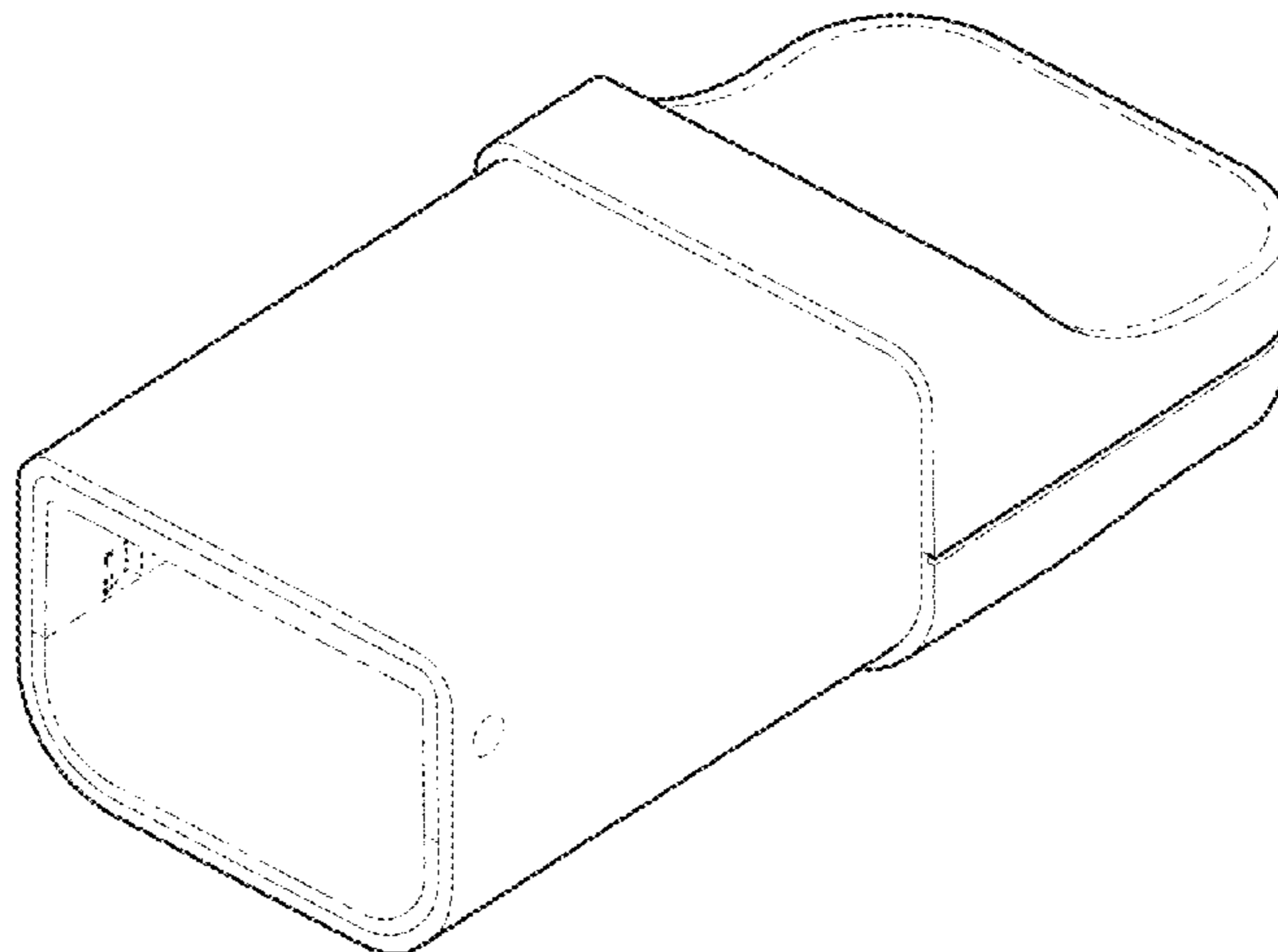
The ornamental design for a connector housing for medical optical fibers, as shown and described.

DESCRIPTION

1.1 is a perspective view of a connector housing for medical optical fibers showing our new design;
1.2 is a front elevational view thereof;
1.3 is a rear elevational view thereof;
1.4 is a right side elevational view thereof;
1.5 is a left side elevational view thereof;
1.6 is a top plan view thereof; and
1.7 is a bottom plan view thereof.

In the drawings, the evenly-spaced broken lines depict portions of the connector housing for medical optical fibers that form no part of the claimed design. Additionally, the dash-dot-dash broken lines define the boundaries of the claimed design.

1 Claim, 4 Drawing Sheets



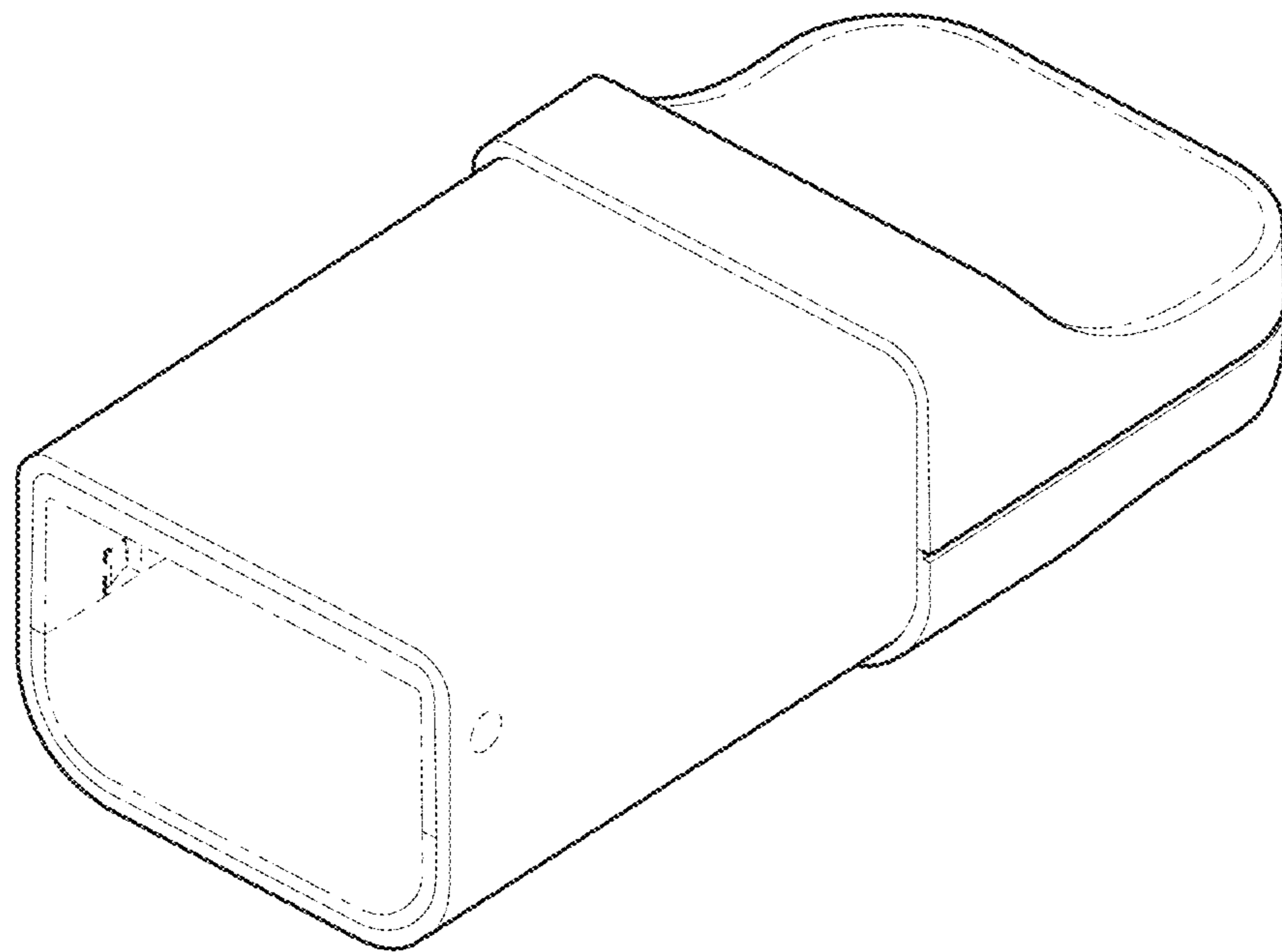
(56)

References Cited

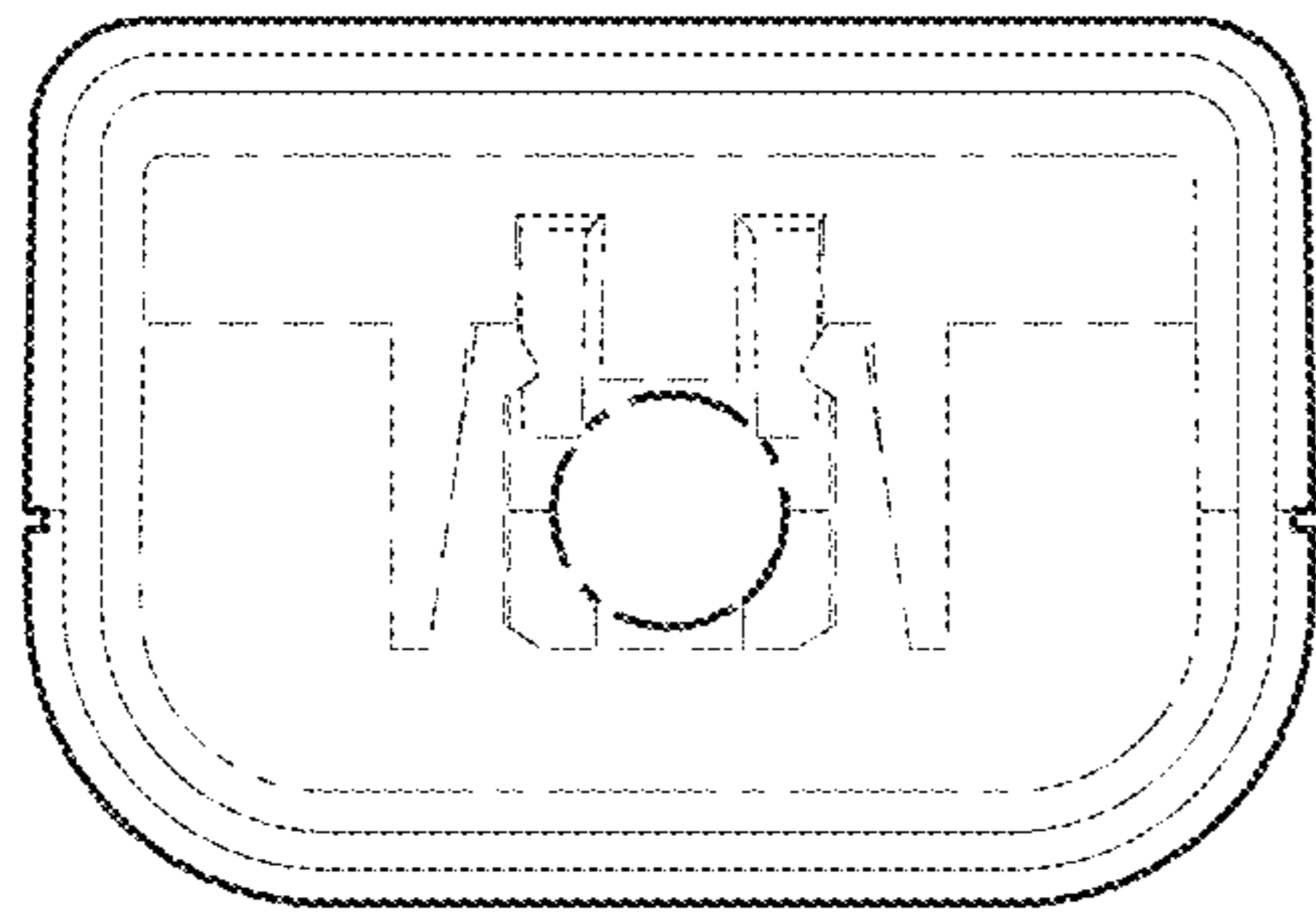
U.S. PATENT DOCUMENTS

8,764,308 B2 * 7/2014 Irwin G02B 6/3879
385/56
8,783,968 B2 * 7/2014 Adams G02B 6/3879
385/77
D729,806 S * 5/2015 Park D14/433
9,158,075 B2 * 10/2015 Benjamin G02B 6/02033
D753,662 S * 4/2016 Arrington D14/433
9,494,744 B2 * 11/2016 de Jong G02B 6/3879
D775,591 S * 1/2017 Davidson, Jr. D13/153
9,823,424 B2 * 11/2017 Krawczyk G02B 6/3825
9,971,103 B2 * 5/2018 de Jong G02B 6/3893
D823,255 S * 7/2018 De Jong D13/133
10,146,014 B2 * 12/2018 de Jong G02B 6/3825

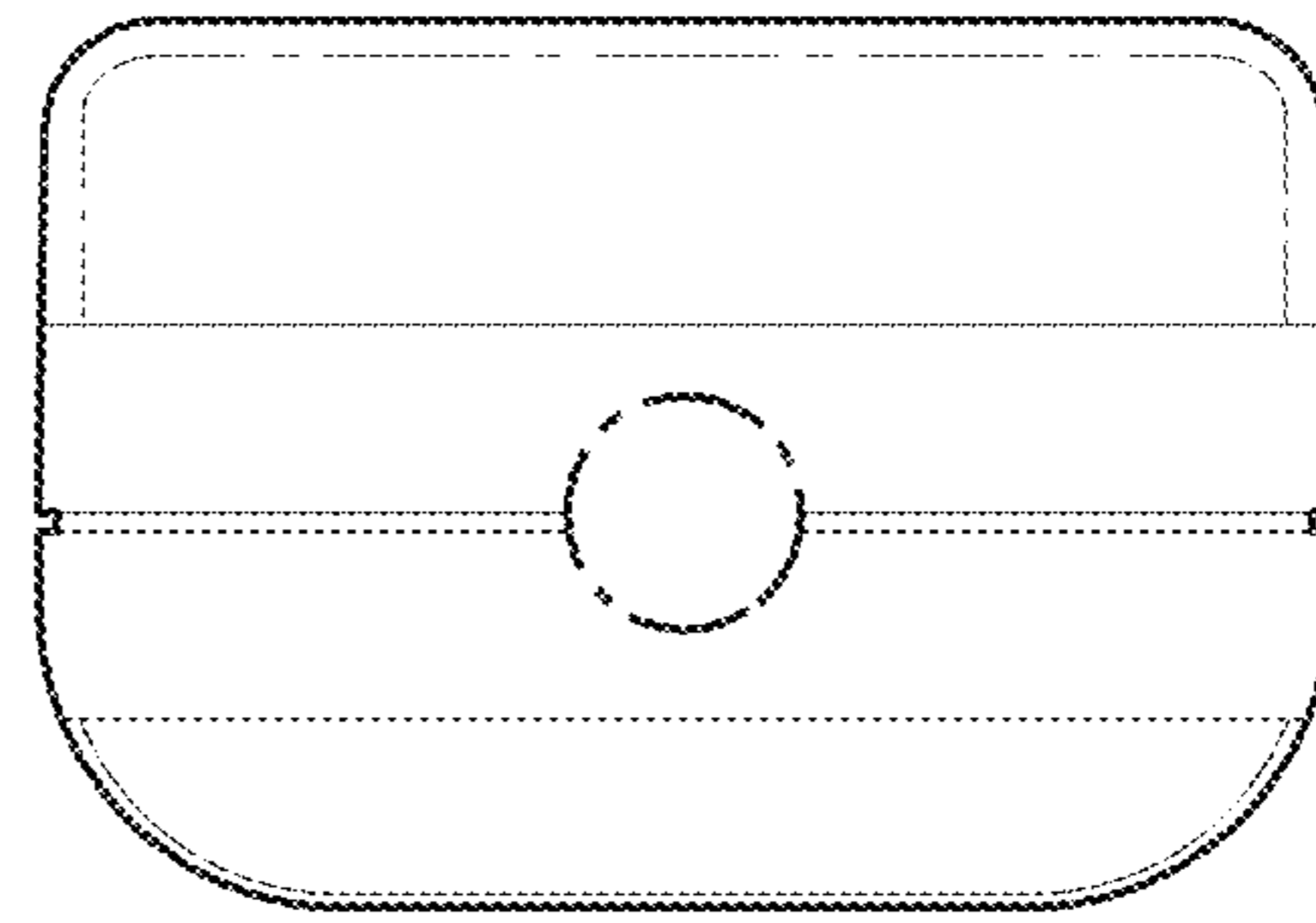
* cited by examiner



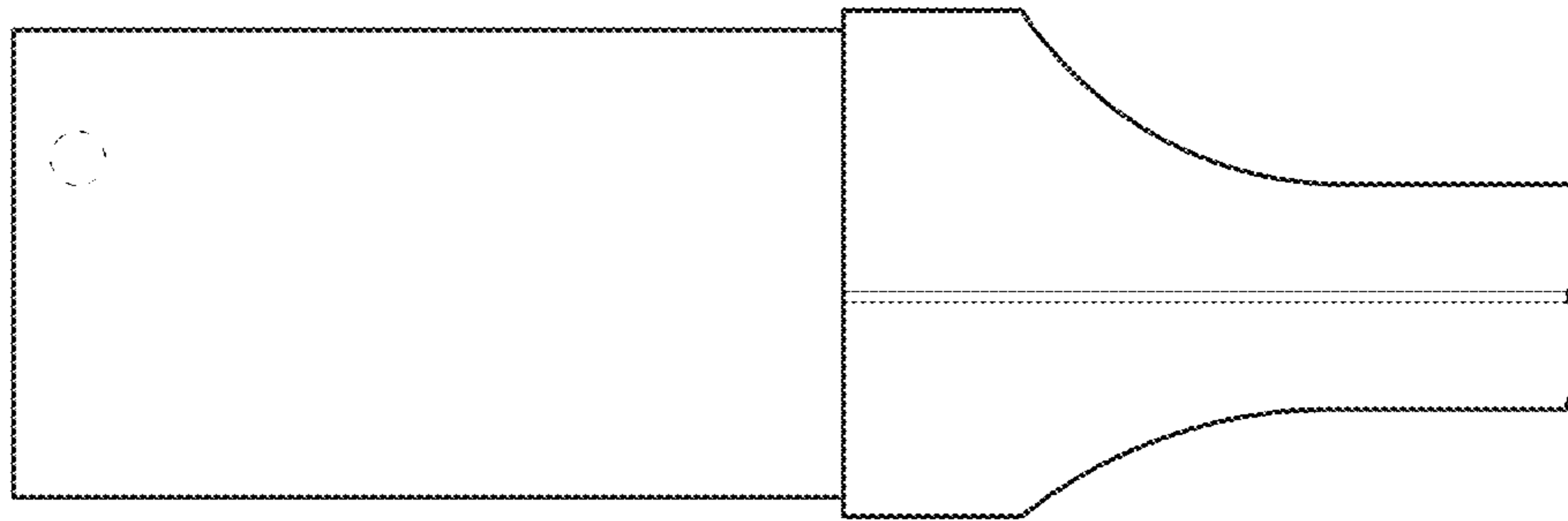
1.1



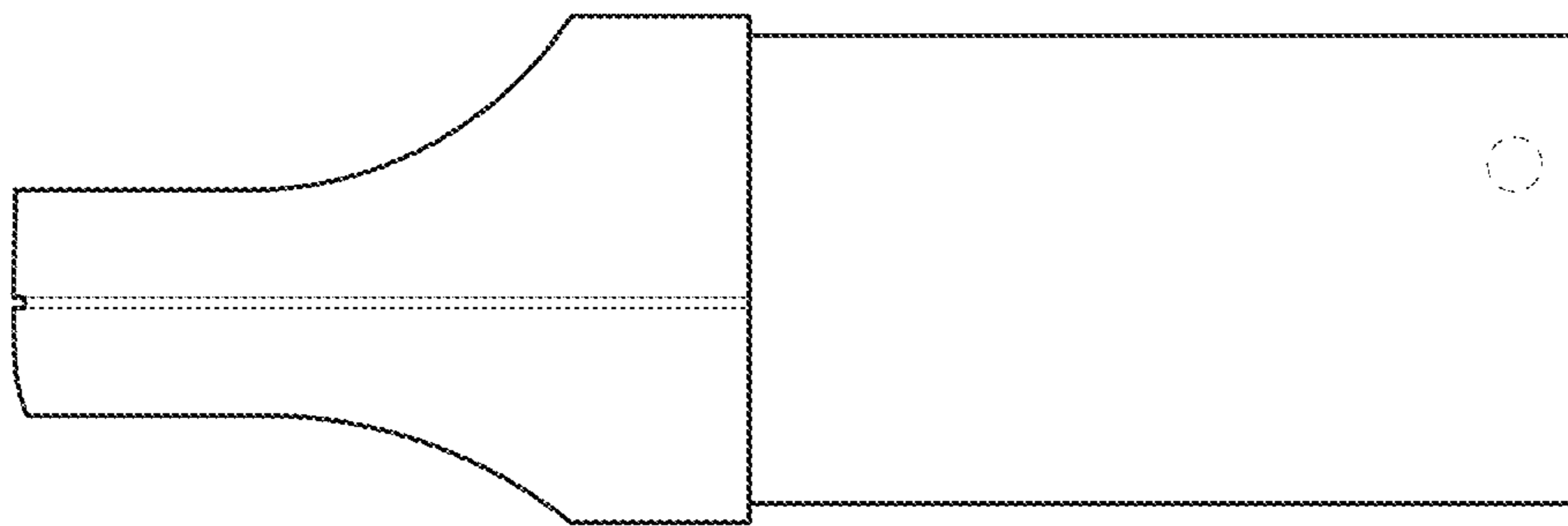
1.2



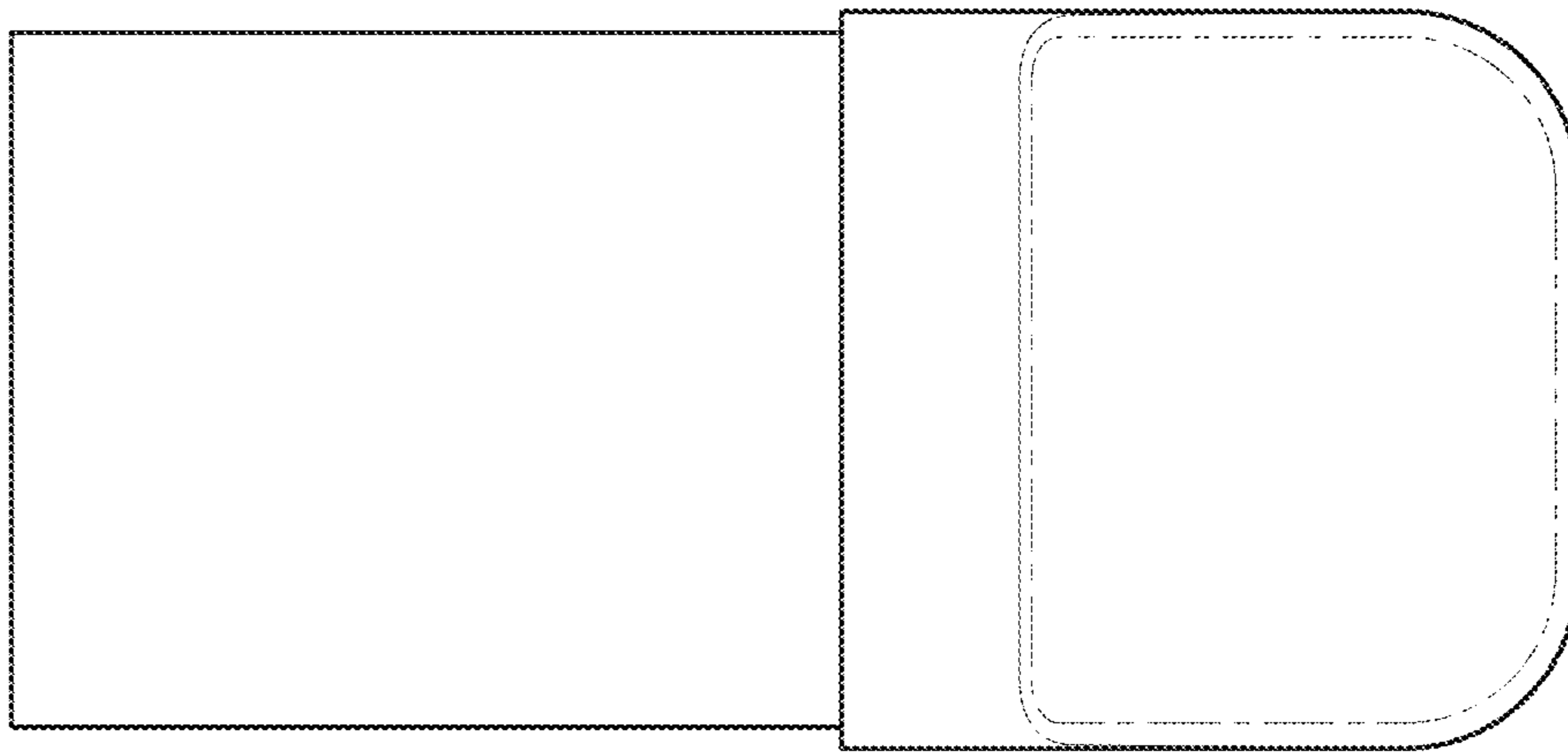
1.3



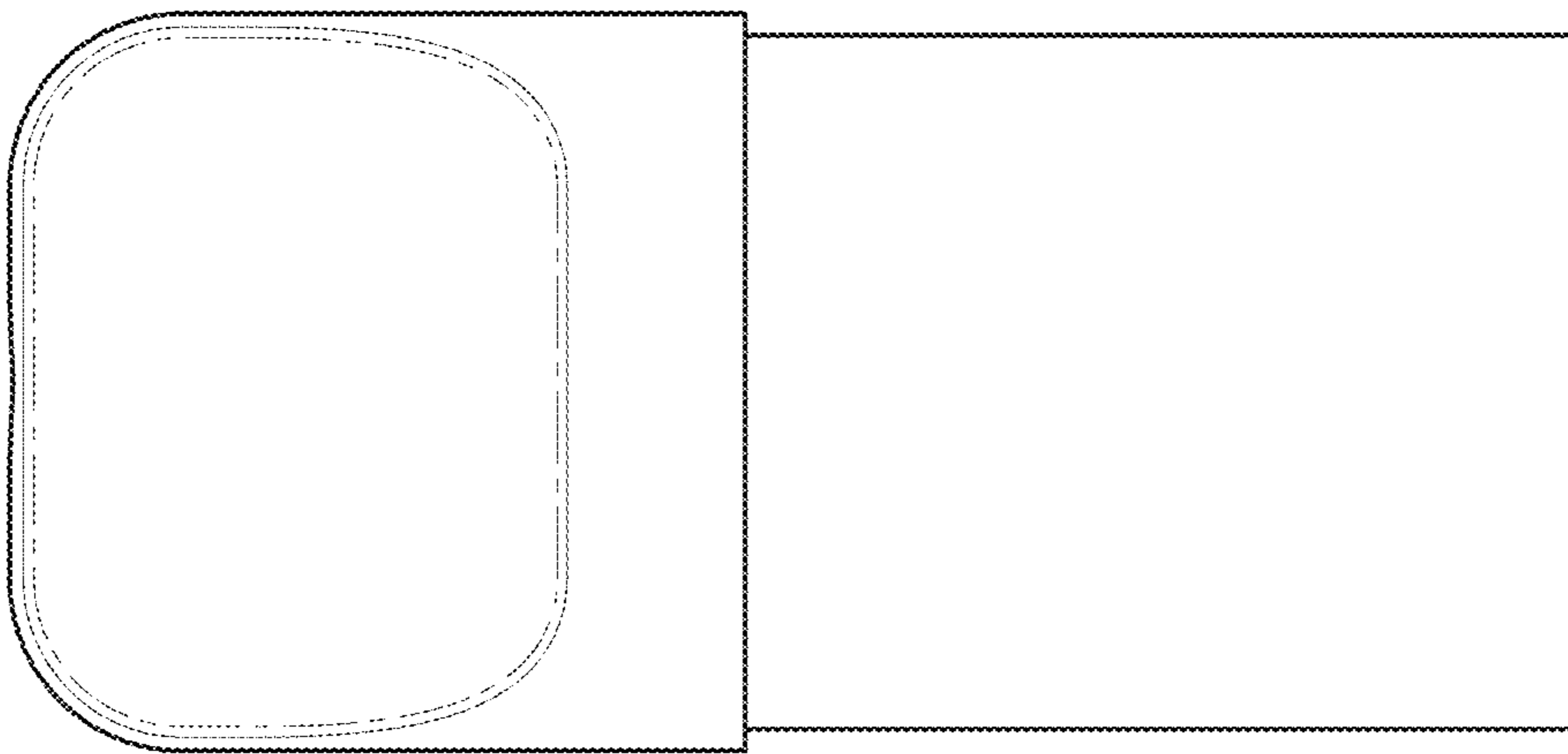
1.4



1.5



1.6



1.7