



US00D884704S

(12) **United States Design Patent** (10) **Patent No.:** **US D884,704 S**
Patrick et al. (45) **Date of Patent:** **** May 19, 2020**

(54) **ACCESSORY CLIP FOR A MOBILE ELECTRONIC DEVICE**

Primary Examiner — Austin Murphy
(74) *Attorney, Agent, or Firm* — Dorsey & Whitney LLP

(71) Applicant: **Portero Holdings, LLC**, Lake Forest, CA (US)

(57) **CLAIM**

We claim the ornamental design for an accessory clip for a mobile electronic device, as shown and described.

(72) Inventors: **Jason Patrick**, Long Beach, CA (US);
James S. Weisz, Rancho Mission Viejo, CA (US)

DESCRIPTION

(73) Assignee: **PORTERO HOLDINGS, LLC**, Lake Forest, CA (US)

FIG. 1 is a front isometric view of an embodiment of an accessory clip for a mobile electronic device with a mobile electronic device and an auxiliary lens shown in dashed lines for environmental purposes.

(**) Term: **15 Years**

FIG. 2 is a rear isometric view of the accessory clip for a mobile electronic device of FIG. 1 with the mobile electronic device and an auxiliary lens shown in dashed lines for environmental purposes.

(21) Appl. No.: **29/670,750**

(22) Filed: **Nov. 19, 2018**

(51) **LOC (12) Cl.** **14-02**

(52) **U.S. Cl.**
USPC **D14/432**

(58) **Field of Classification Search**
USPC D8/61; D14/411; D19/35, 36, 41–51,
D19/54–58; 401/55, 99, 100, 104–107,
(Continued)

FIG. 3 is a front isometric view of the accessory clip for a mobile electronic device of FIG. 1.

FIG. 4 is a rear isometric view of the accessory clip for a mobile electronic device of FIG. 1.

(56) **References Cited**

U.S. PATENT DOCUMENTS

D739,223 S * 9/2015 Paik D8/396
D766,711 S * 9/2016 Babbage D8/394
(Continued)

FIG. 5 is a front elevation view of the accessory clip for a mobile electronic device of FIG. 1.

FIG. 6 is a rear elevation view of the accessory clip for a mobile electronic device of FIG. 1.

FIG. 7 is a right side elevation view of the accessory clip for a mobile electronic device of FIG. 1.

FIG. 8 is a left side elevation view of the accessory clip for a mobile electronic device of FIG. 1.

FIG. 9 is a top plan view of the accessory clip for a mobile electronic device of FIG. 1; and,

FIG. 10 is a bottom plan view of the accessory clip for a mobile electronic device of FIG. 1.

The broken lines in the figures illustrate an illustrative mobile electronic device and auxiliary lenses and are for the purpose of illustrating environmental structure and form no part of the claimed design. The remaining broken lines in the figures illustrate bounds of the claimed design and form no part thereof.

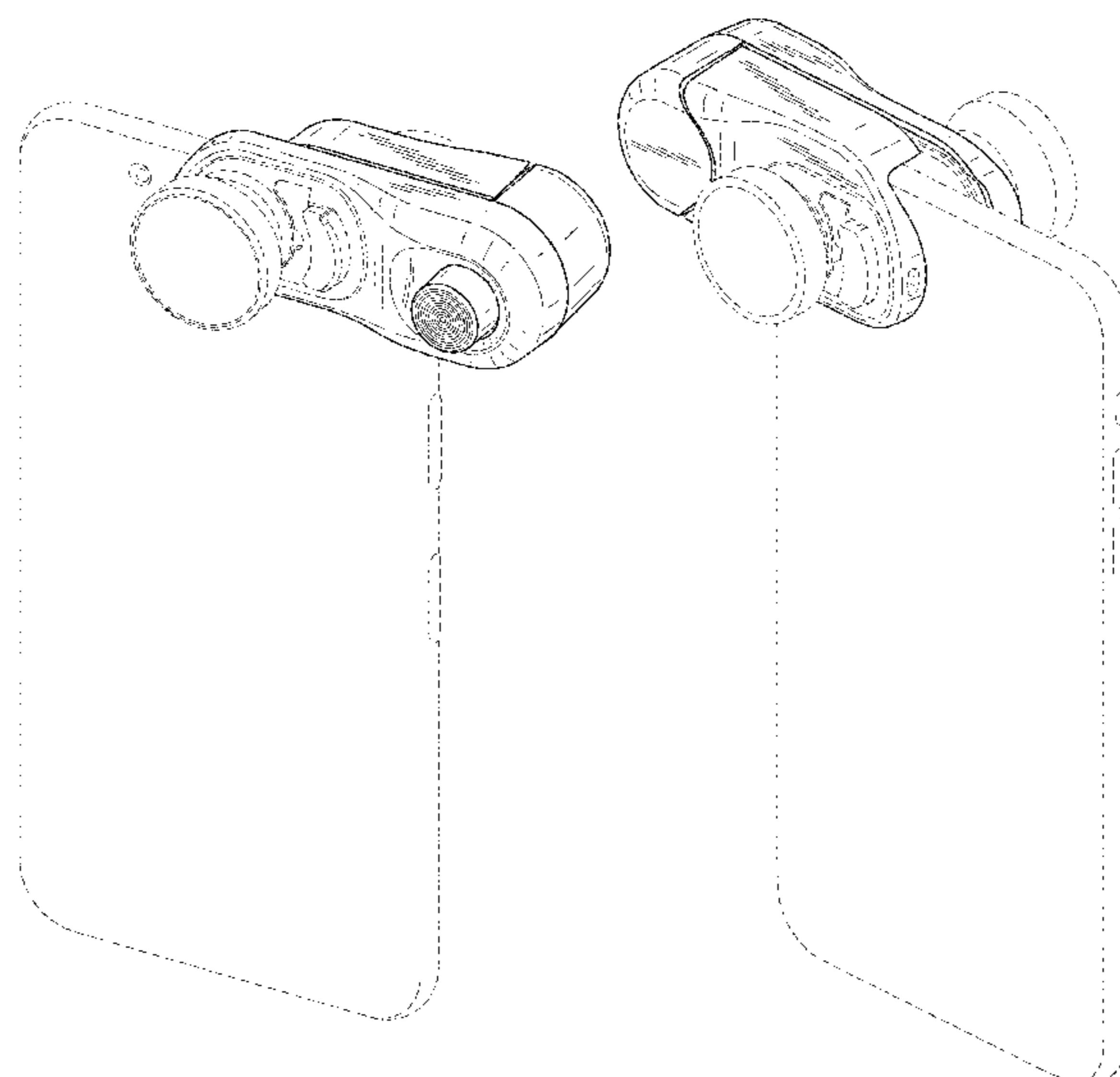
FOREIGN PATENT DOCUMENTS

CN 206413051 U 8/2017
TW 553431 U 9/2003

OTHER PUBLICATIONS

PCT, "International Search Report and Written Opinion", Application No. PCT/US2009/032046, dated Jul. 30, 2019, 14 pages.

1 Claim, 6 Drawing Sheets



(58) **Field of Classification Search**

USPC 401/196, 197, 202, 208, 209, 213, 192,
401/195, 243; 708/107; 345/179, 173;
178/19.01; 700/94
CPC . H04R 1/16; H04R 1/18; B43K 23/00; B43K
23/001; A44C 5/0046; A44C 3/002; A44C
3/008

See application file for complete search history.

(56) **References Cited**

U.S. PATENT DOCUMENTS

D801,160 S * 10/2017 Westcott D8/367
D811,409 S * 2/2018 Zhong D14/432
D816,473 S * 5/2018 Blyahman D8/395
D817,157 S * 5/2018 Mehr D8/367
D827,648 S * 9/2018 Mitchell D14/432
D834,703 S * 11/2018 Babbage D24/110
D836,428 S * 12/2018 Pittman D8/382
D837,039 S * 1/2019 Angus D8/356
D862,472 S * 10/2019 Huebner D14/432
2015/0042877 A1 2/2015 O'Neill et al.
2015/0370150 A1 12/2015 O'Neill et al.
2016/0123525 A1* 5/2016 Nguyen A45F 5/00
248/534
2016/0216597 A1 7/2016 Lim
2016/0294996 A1 10/2016 Yen
2018/0116509 A1 5/2018 Myung et al.

* cited by examiner

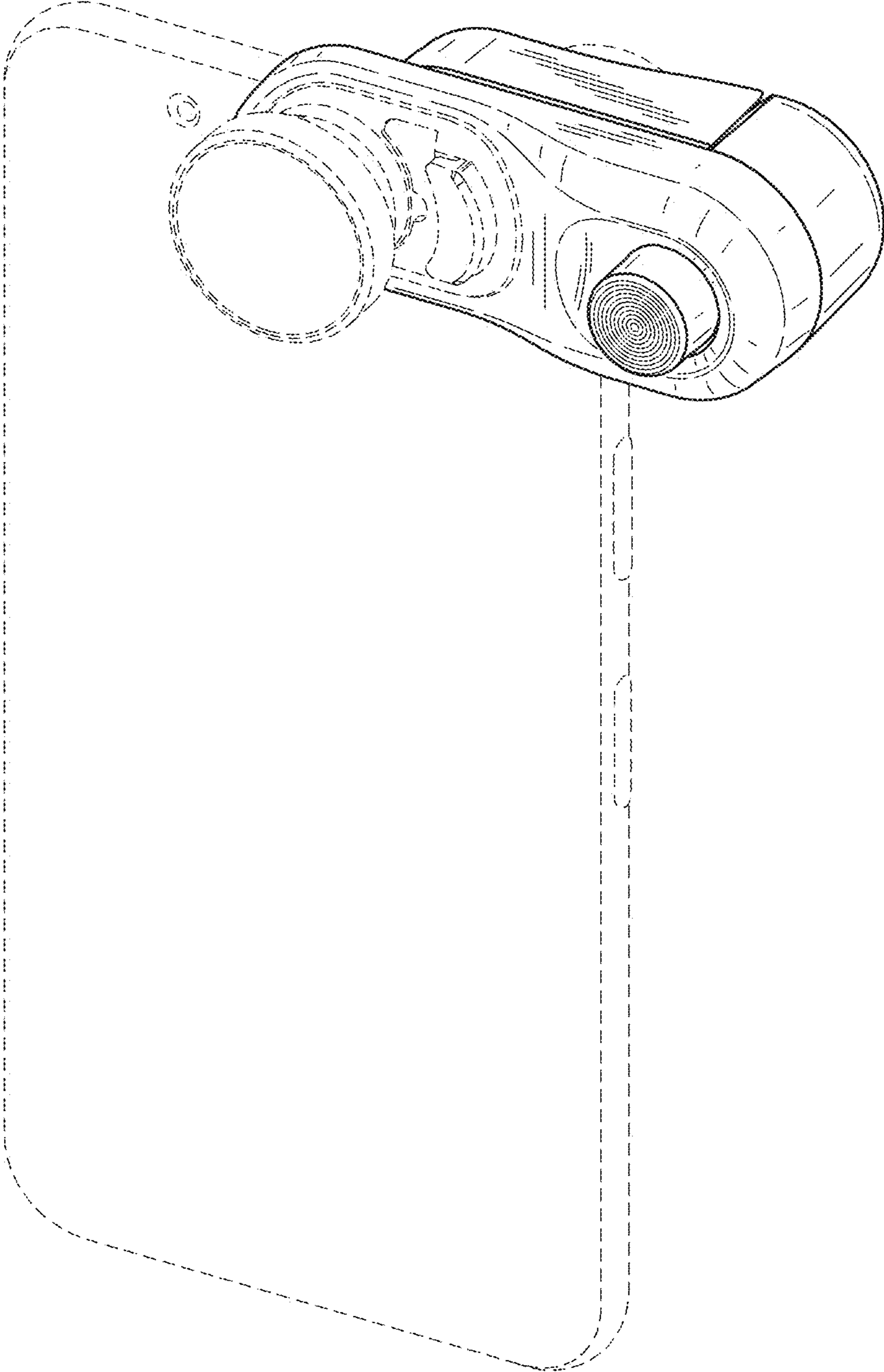


FIG. 1

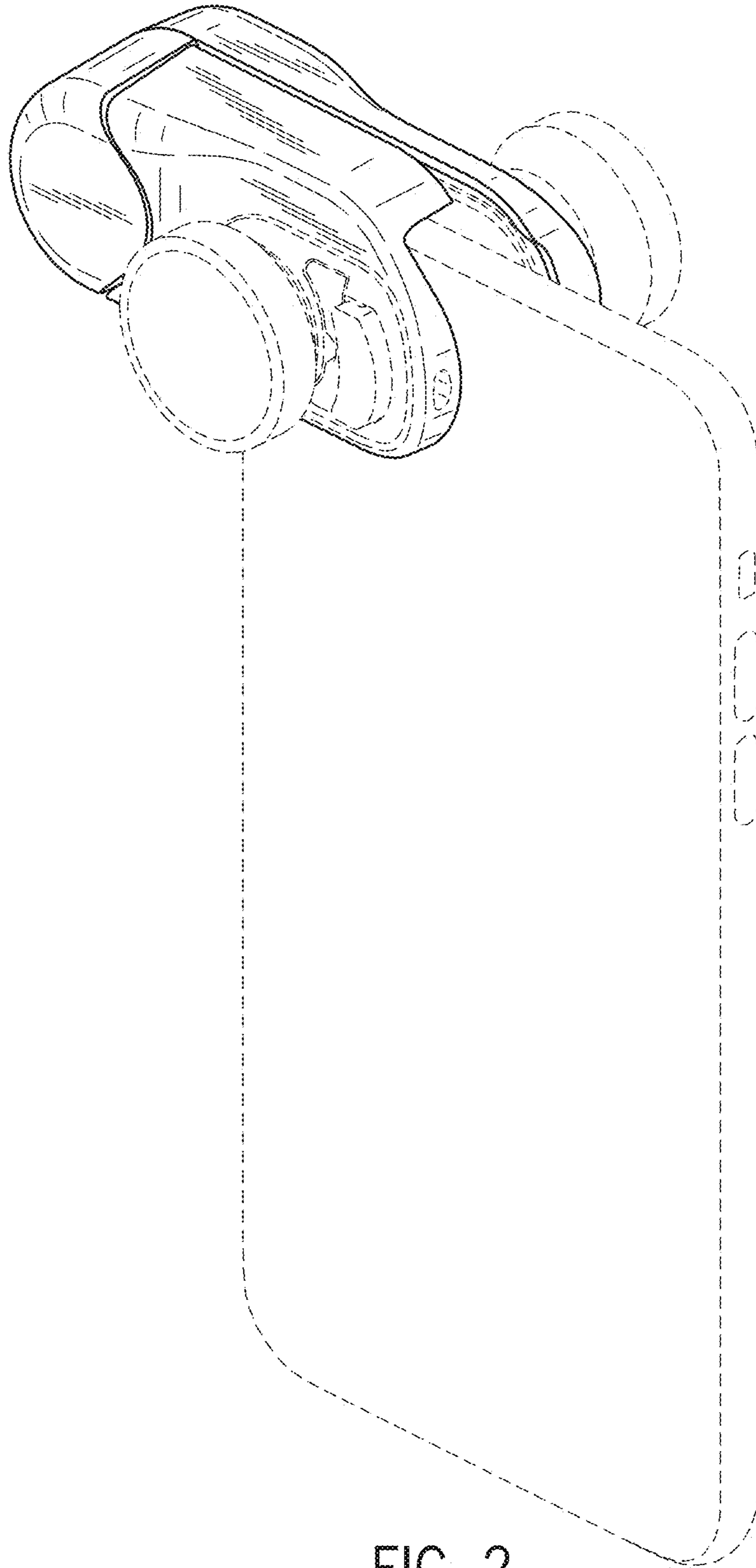


FIG. 2

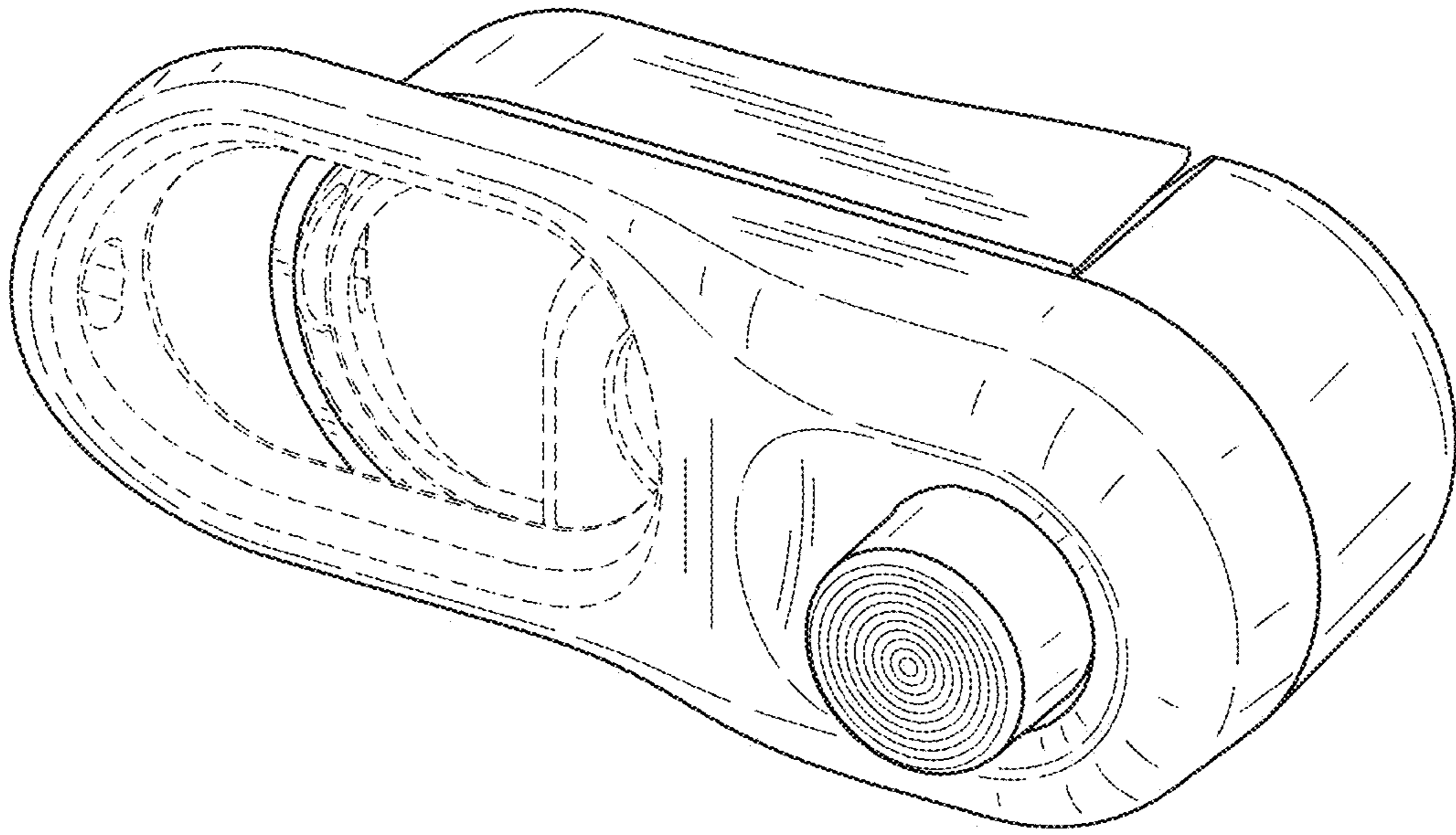


FIG. 3

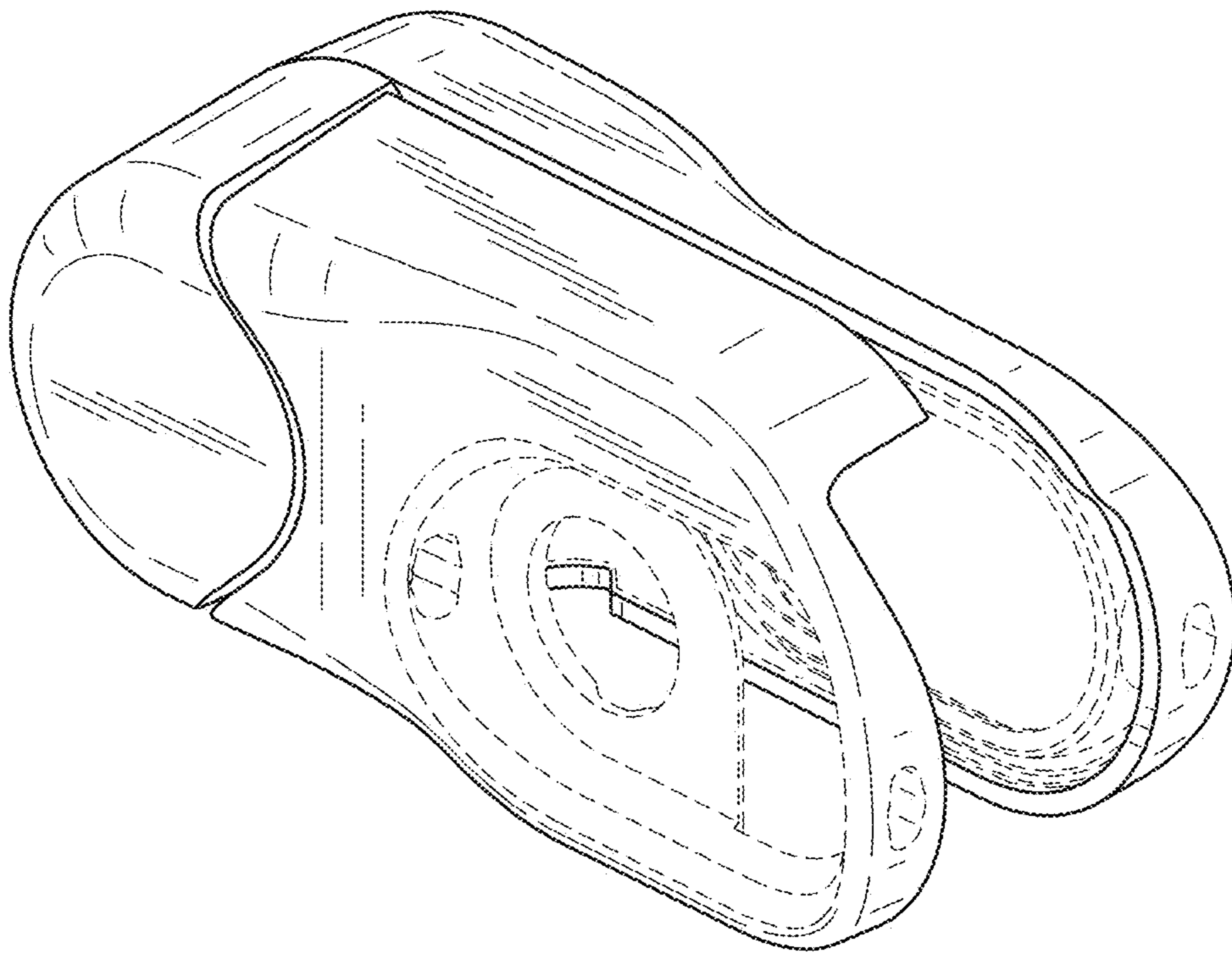


FIG. 4

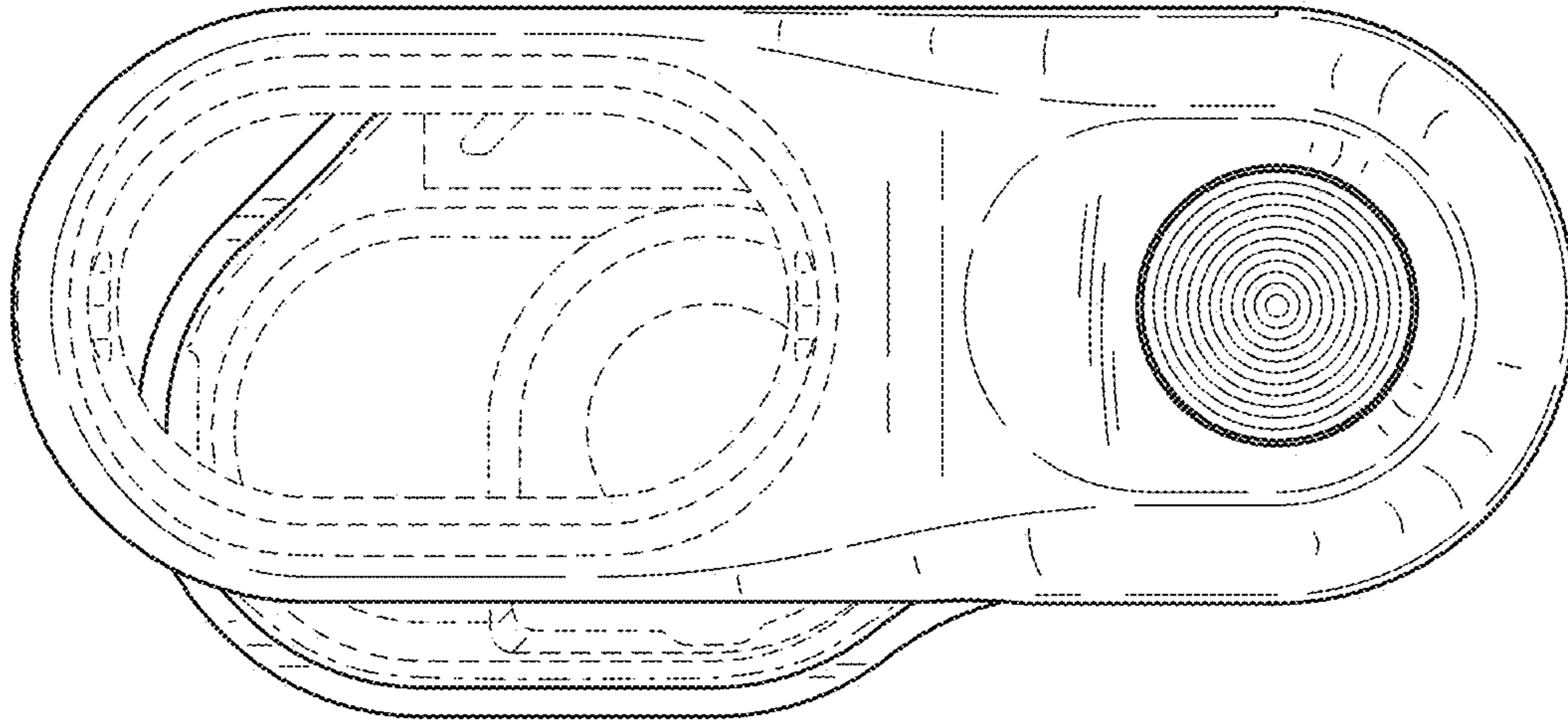


FIG. 5

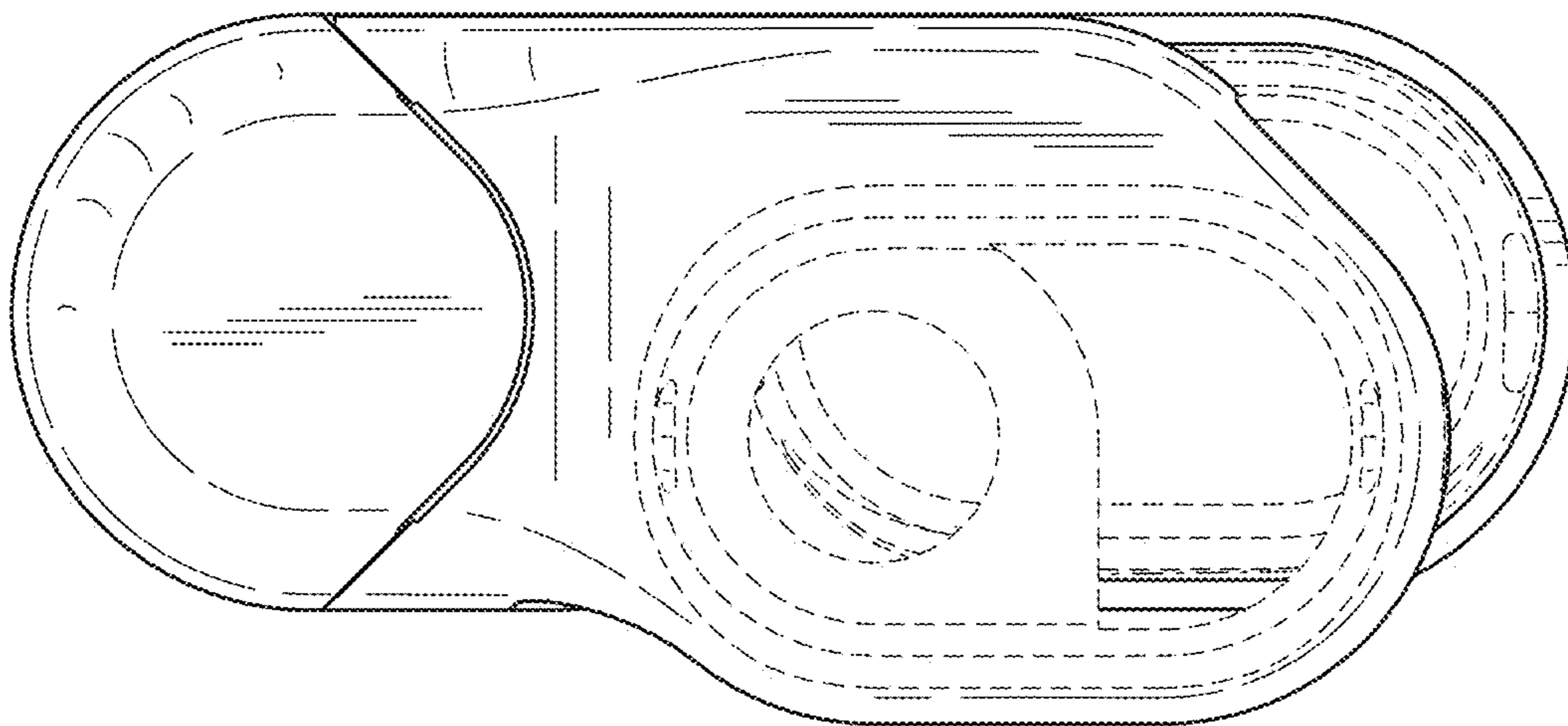


FIG. 6

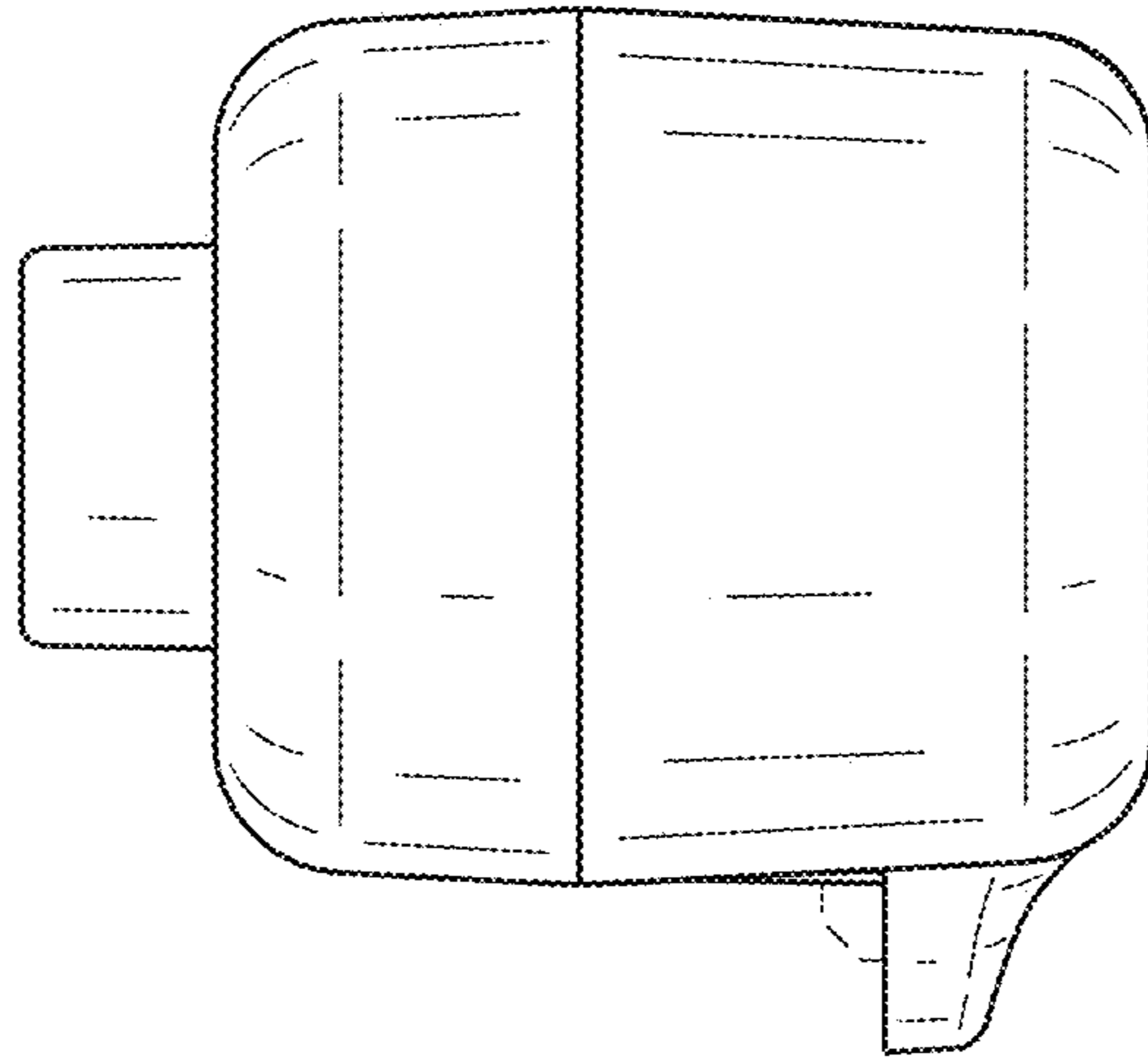


FIG. 7

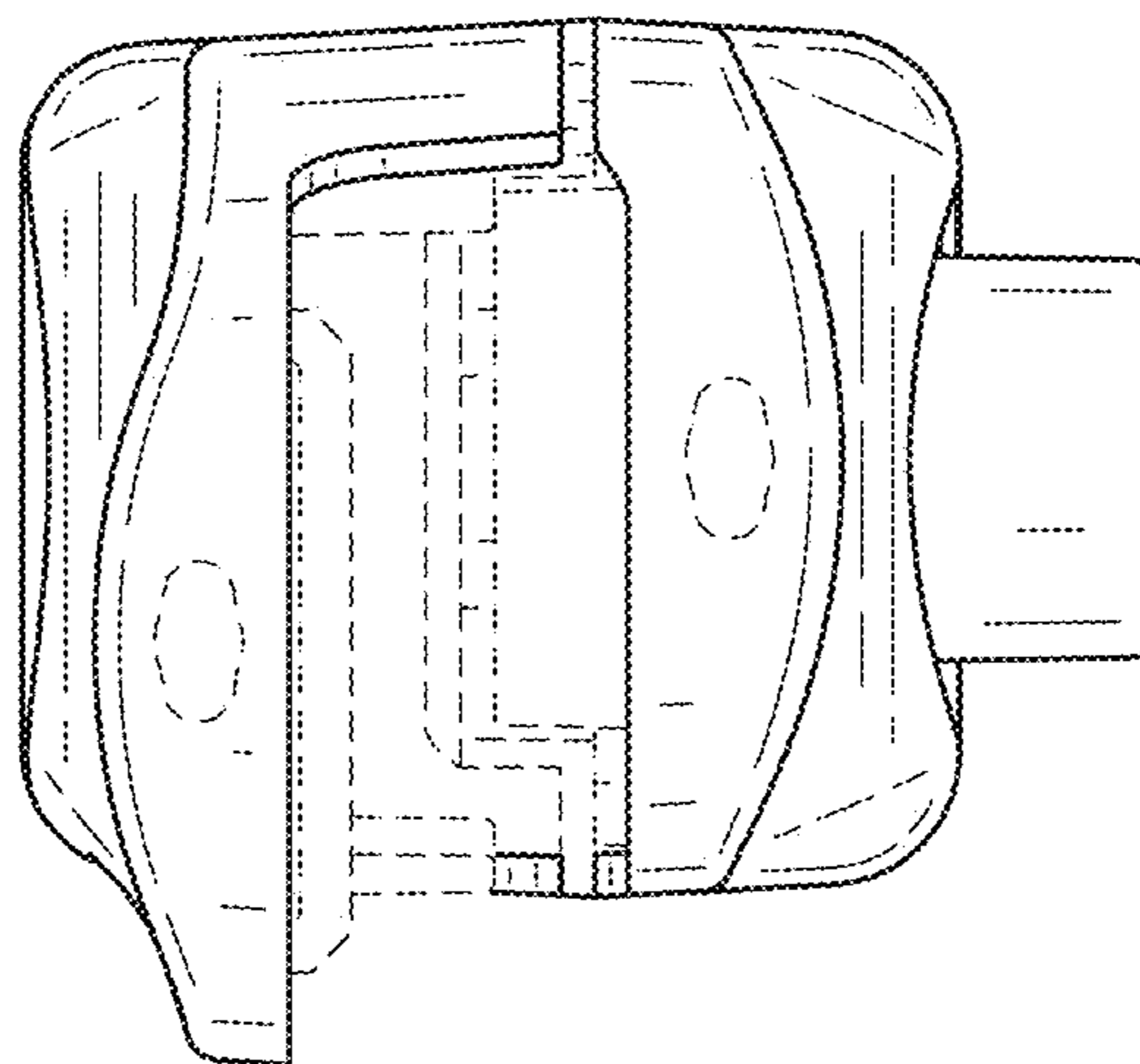


FIG. 8

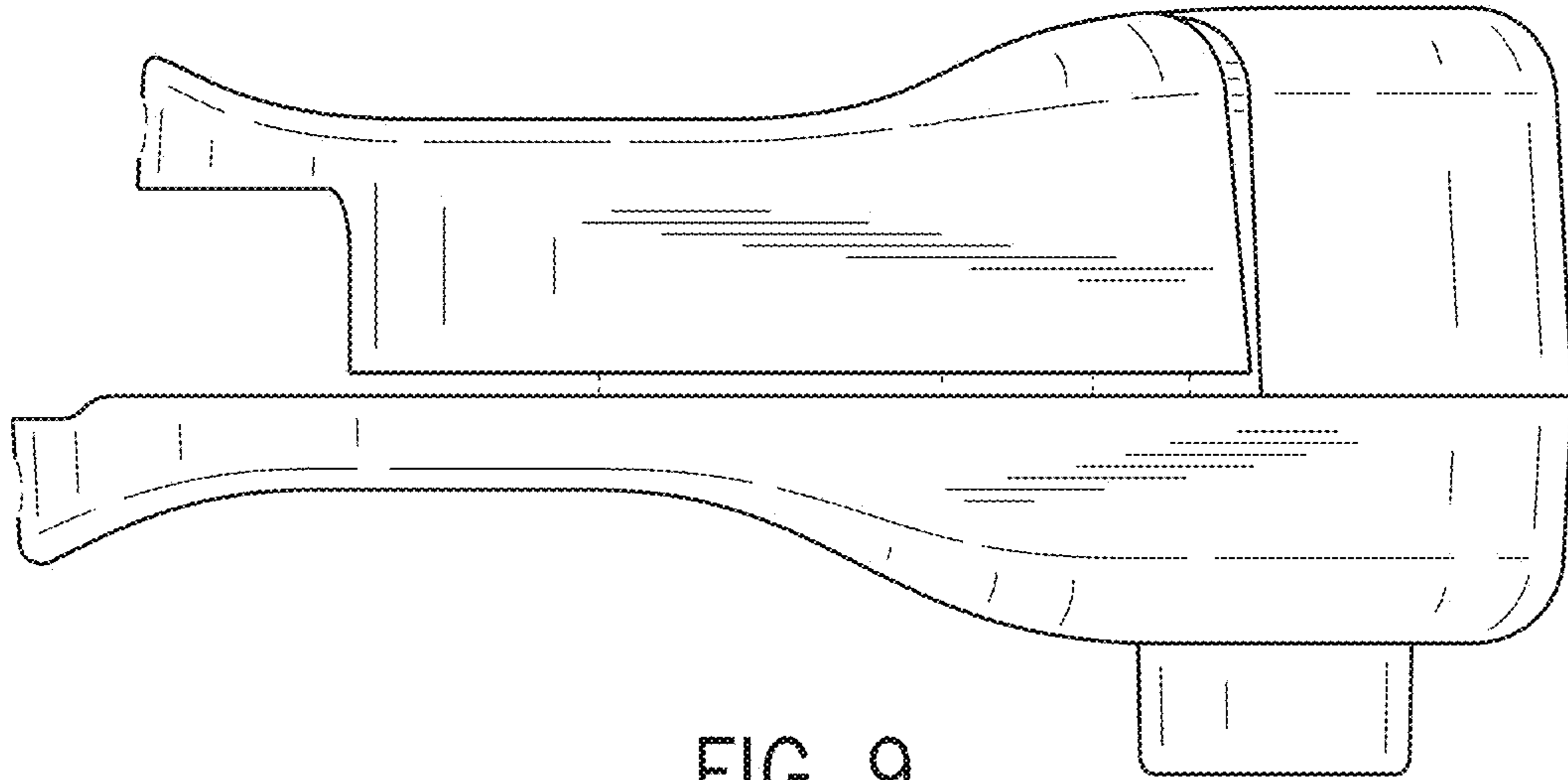


FIG. 9

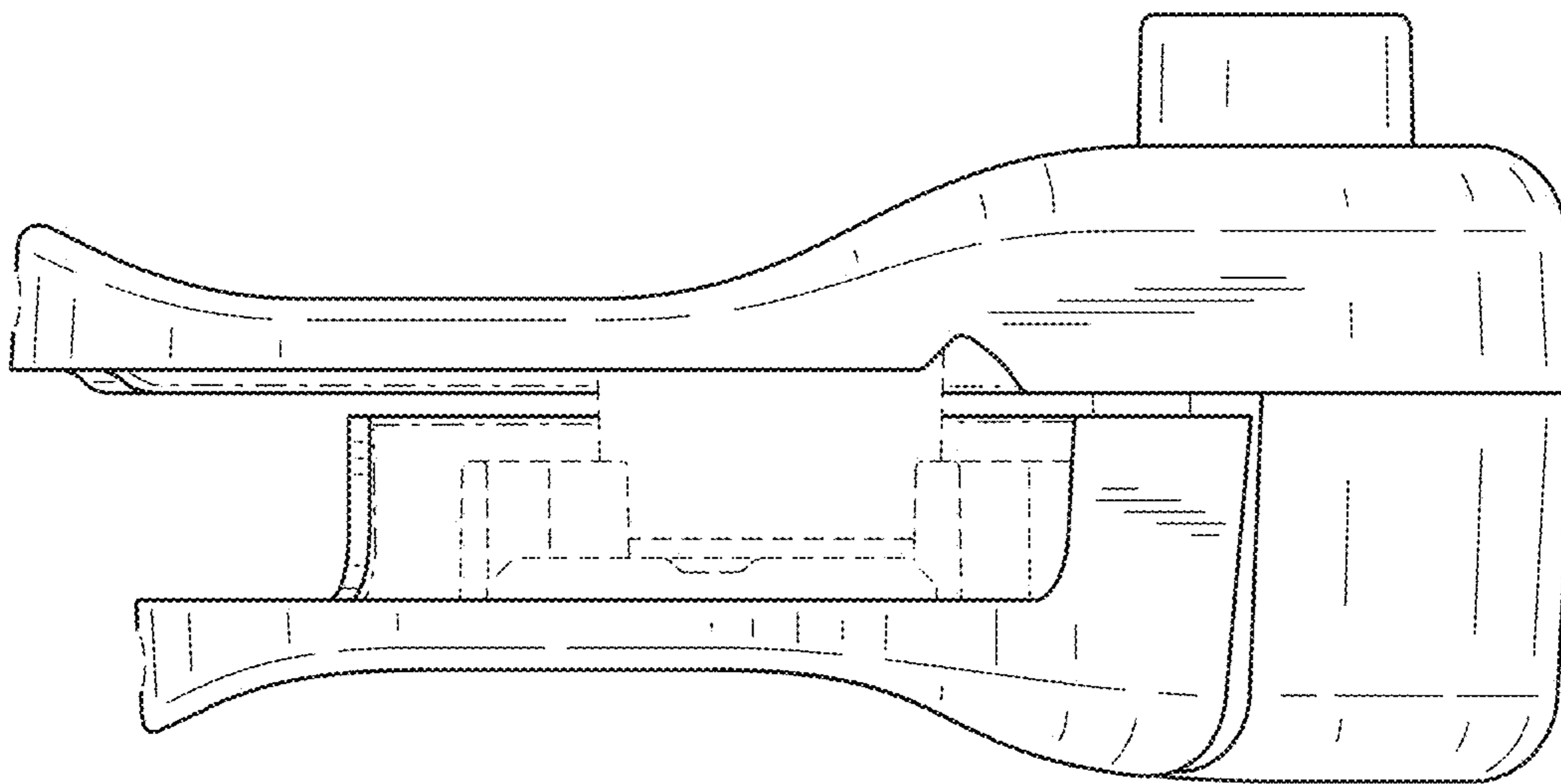


FIG. 10