



US00D884703S

(12) **United States Design Patent** (10) **Patent No.:** **US D884,703 S**
Silver et al. (45) **Date of Patent:** **** May 19, 2020**

(54) **CORDLESS HAND SCANNER**

(71) Applicant: **SOCKET MOBILE, INC.**, Newark, CA (US)

(72) Inventors: **Cj Silver**, Fremont, CA (US); **Puay Hian Goh**, Singapore (SG); **James William Rebello**, Livermore, CA (US); **Vanessa Esther Lindsay**, San Francisco, CA (US); **James Lopez**, Union City, CA (US); **Leonard Ott**, Livermore, CA (US); **Kevin J. Mills**, Palo Alto, CA (US); **Debasish Bhattacharya**, San Jose, CA (US)

(73) Assignee: **Socket Mobile, Inc.**, Newark, CA (US)

(**) Term: **15 Years**

(21) Appl. No.: **29/675,868**

(22) Filed: **Jan. 6, 2019**

(51) **LOC (12) Cl.** **14-02**

(52) **U.S. Cl.**
USPC **D14/426**

(58) **Field of Classification Search**
USPC D14/420, 426-430, 453, 346, 341, 347, D14/412, 138; D13/107, 184; 358/473; 235/462.43, 462.45, 462.47, 462.48, 235/462.44, 462.46, 487, 472.01, 472.02, 235/145 A, 145 R; D10/78, 57, 2, 46, 52, D10/53, 81; 324/426; D3/273; 710/73; D18/7; 361/679, 728, 679.56, 683; 382/313, 321, 314; 455/575.1, 561, 572, 455/41.2; 345/156, 168, 169, 172, 173, 345/87, 179, 183; 705/17, 18, 22-25; D16/206, 218, 202, 219, 208, 209; 356/328; 396/419, 423, 424; 374/130, 374/100, 121, 102, 141, 124, 170, 104, 374/103; 702/130, 135; 348/164, 165, 348/149, 333.01, 333.11, E5.043, E5.047, 348/E5.09, 33, 82, E5.028, 347, 373, 374,

348/375, 66; 250/330, 351, 353, 332, 250/334, 358.1, 316.1, 338.1, 568; 600/549, 474, 413, 473, 200, 184, 437, 600/427, 439, 109, 178, 180, 237, 241; D24/186, 185, 187, 152, 158, 133, 144,
(Continued)

(56) **References Cited**

U.S. PATENT DOCUMENTS

D226,583 S * 3/1973 Welch D24/214
D238,100 S * 12/1975 Pulos D24/137
(Continued)

Primary Examiner — Susan Moon Lee

(74) *Attorney, Agent, or Firm* — PatentVentures; Bennett Smith; Korbin Van Dyke

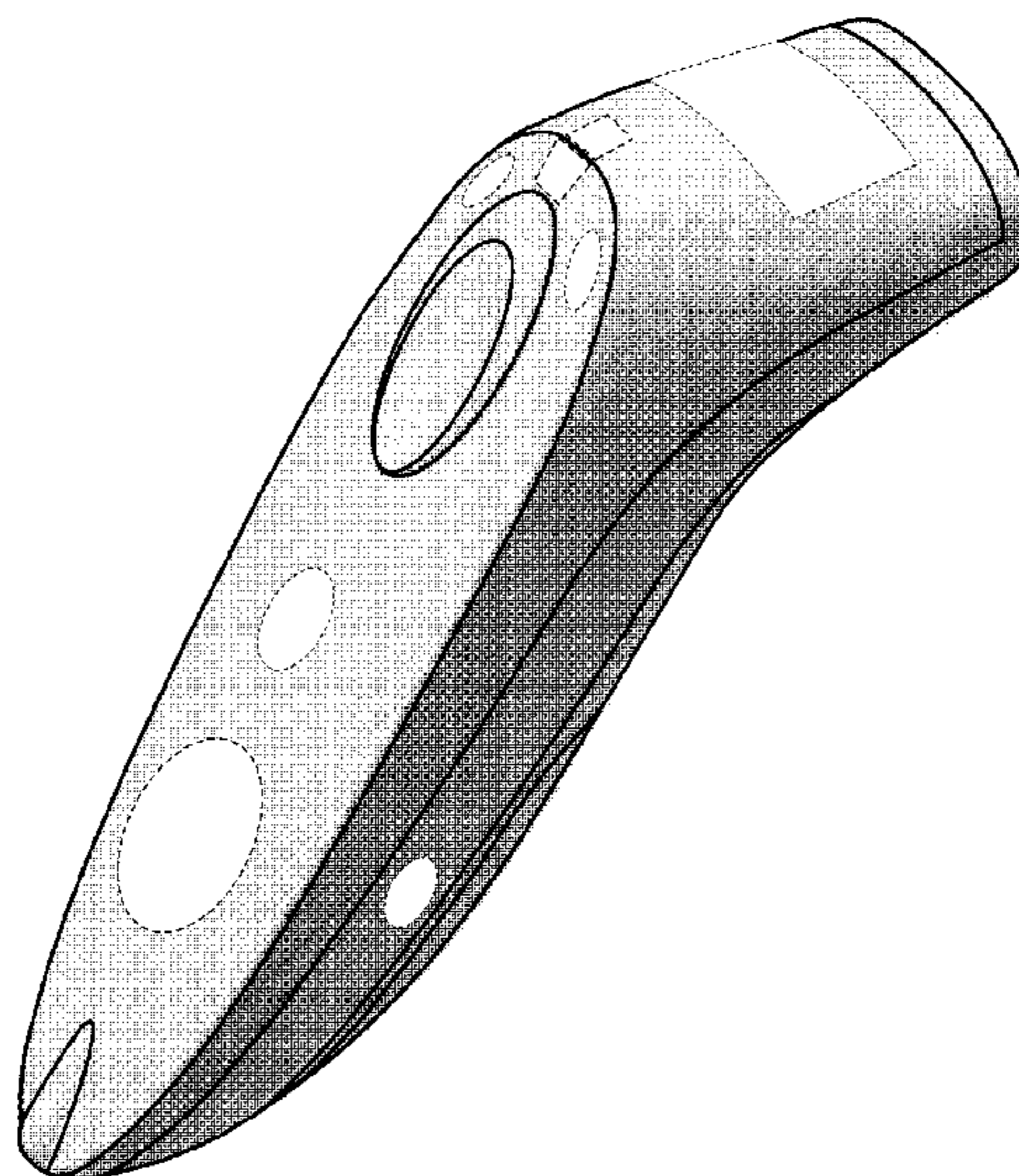
(57) **CLAIM**

The ornamental design for a cordless hand scanner, as shown and described.

DESCRIPTION

FIG. 1 is a perspective view of a cordless hand scanner in accordance with our new design;
FIG. 2 is a first end view thereof;
FIG. 3 is an opposite end view thereof;
FIG. 4 is a side view of the cordless hand scanner, the other side being a mirror image;
FIG. 5 is a top view thereof; and,
FIG. 6 is a bottom view thereof.
In FIGS. 1-6, broken lines and unshaded portions contained within broken lines depict portions of the cordless hand scanner that form no part of the claimed design. Fine stipple shading (stippling) figurative effects are meant to portray the illusion of varying degrees of surface shadow and thereby to show the contour of the surfaces, without claiming any particular pattern, texture, or color. Perspective views are not drawn to scale.

1 Claim, 5 Drawing Sheets



(58) **Field of Classification Search**

USPC D24/146, 107, 112, 206, 200, 209, 215,
 D24/167, 214, 210; D21/333; D28/44,
 D28/48; D8/99; 359/214; 16/110.1,
 16/430, 431; 439/133, 135; 433/29, 37,
 433/72, 114, 116; 709/219, 201;
 320/114, 115, 123
 CPC G06F 1/626; G06F 1/1626; G06F 1/1656;
 G06F 1/1632; G06F 1/1684; G06F
 1/1635; G06F 8/63; G06F 17/30091;
 G06F 9/4401; G06F 3/03545; G06K
 7/10881; G06K 7/1098; G06K 7/10722;
 G06K 7/1404; G06K 7/0004; G06K
 7/10633; G06K 7/10851; G06K 7/1091;
 G06K 7/1092; G06K 7/1093; G06K 7/10;
 G06K 7/109; G06K 7/1417; G06K 9/228;
 G06K 17/0022; G06K 17/00; G06K
 2207/1011; G06K 2207/1013; G06K
 2207/1016; G06K 2207/1018; G06K
 2017/0051; G06K 2017/0067; G06K
 2007/10524; G07G 1/0081; G07G 1/009;
 G06Q 20/20; G06Q 20/201; G06Q
 20/202; G06Q 20/203; G06Q 20/30;
 G06Q 20/32; G06Q 20/322; G06Q
 20/4014; G06Q 10/087; H04N 1/00127;
 H04N 1/00135; H04N 1/00326; H04N
 1/00334; H04N 1/00307; H04N 1/107;
 H04N 2201/0084; H04N 2101/00; H04N
 5/332; H04N 5/33; H04N 5/2251; H04N
 5/2258; H04N 5/2256; H04N 5/23293;
 H04N 5/23203; H04N 5/2254; H04N
 5/2252; H04N 5/2253; H04N 5/23229;
 H04N 5/3651; H04M 1/0249; H04M
 1/0262; H04M 1/0266; H04M 1/18;
 H04M 1/23; H04M 1/236; H04B 1/3827;
 H04B 1/3833; H04B 1/3877; H04B
 1/3883; H04B 1/3888; H04B 2001/3894;
 H01M 2/1066; G01J 5/025; G01J 5/0265;
 G01J 5/026; G01J 5/027; G01J 5/02;
 G01J 5/06; G01J 5/08; G01J 5/04; G01J
 5/12; G01J 5/00; G01J 5/18; G01J
 5/0834; G01J 5/522; G01J 5/0806; G01J
 5/028; G01J 2005/0077; G01J 2005/0081;
 G02B 7/08; G02B 7/04; G01K 1/02;
 G01K 3/04; G03B 17/18; G03B 3/02;
 G03B 3/04; G03B 3/10; H02J 7/0044;
 A61B 8/44; A61B 8/46; A61B 8/4427;
 A61B 8/4433; A61B 8/4438; A61B
 8/4444; A61B 8/56; A61B 8/4461; A61B
 8/4455; A61B 8/4472; A61B 5/00; A61B
 5/0013; A61B 5/0017; A61B 5/0033;
 A61B 5/004; A61B 5/0062; A61B
 5/0064; A61B 5/0068; A61B 5/0066;
 A61B 5/0086

See application file for complete search history.

(56) **References Cited**

U.S. PATENT DOCUMENTS

D303,706 S * 9/1989 King D24/142
 D319,436 S * 8/1991 Matsushita D14/428
 D320,981 S * 10/1991 Conversano D14/431
 D323,034 S * 1/1992 Reinstein D24/200
 D340,042 S * 10/1993 Copper D14/388
 5,256,866 A * 10/1993 Conversano G06K 7/10881
 235/462.49

D343,801 S * 2/1994 Burns D10/78
 D350,736 S * 9/1994 Takahashi D14/417
 D358,654 S * 5/1995 Smith D24/200
 D368,901 S * 4/1996 Currid D14/417
 D375,729 S * 11/1996 Aeschbacher D14/407
 D378,939 S * 4/1997 Smith D24/112
 D389,915 S * 1/1998 Emerson D24/133
 D400,258 S * 10/1998 Bolleter D24/210
 D406,126 S * 2/1999 Massieu D14/428
 D414,897 S * 10/1999 Prochaska D28/48
 D415,316 S * 10/1999 Prochaska D28/48
 D416,647 S * 11/1999 Wonderley D28/48
 D417,034 S * 11/1999 Shurtleff D28/48
 6,001,070 A * 12/1999 Gebhard A61F 7/007
 601/15
 D425,997 S * 5/2000 Jakubow D24/215
 D432,932 S * 10/2000 Evans D10/78
 D448,878 S * 10/2001 Dalton D26/49
 6,312,397 B1 * 11/2001 Gebhard A61F 7/007
 601/15
 D451,358 S * 12/2001 Griese D8/107
 D454,413 S * 3/2002 Shepperson D28/48
 D457,265 S * 5/2002 Gebhard D28/9
 D458,161 S * 6/2002 Lie D10/57
 D460,074 S * 7/2002 Ponnert D14/420
 D464,172 S * 10/2002 Shepperson D28/48
 D473,942 S * 4/2003 Motoki D24/137
 D475,160 S * 5/2003 Bas D28/53
 D476,745 S * 7/2003 Gerth D24/200
 D484,264 S * 12/2003 Dalton D26/37
 D486,234 S * 2/2004 Chernyshev D24/200
 D490,525 S * 5/2004 Stein D24/167
 D490,528 S * 5/2004 Cook D24/200
 D495,833 S * 9/2004 McCambridge D28/53
 D499,212 S * 11/2004 Nielsen D28/54
 D506,260 S * 6/2005 Ryan D14/218
 D506,576 S * 6/2005 Chen D28/59
 D507,573 S * 7/2005 Wang D14/402
 D508,586 S * 8/2005 Shurtleff D24/147
 D509,301 S * 9/2005 Talbot D24/215
 D511,024 S * 10/2005 Dombrowski D28/48
 D513,335 S * 12/2005 Lee D26/37
 D518,482 S * 4/2006 Hodges D14/426
 D519,234 S * 4/2006 Lee D26/37
 D526,320 S * 8/2006 Brandon et al.
 D528,530 S * 9/2006 Rose D14/138 R
 D529,016 S * 9/2006 Rose D14/138 R
 D530,031 S * 10/2006 Kung D26/37
 D531,632 S * 11/2006 Brandon et al.
 D533,514 S * 12/2006 Hidalgo D13/168
 D535,397 S * 1/2007 Chen D24/146
 D535,993 S * 1/2007 Ueda D14/480.7
 D536,450 S * 2/2007 Ryan D24/144
 D537,204 S * 2/2007 Ramm D28/48
 D540,882 S * 4/2007 Crook D14/412
 D540,947 S * 4/2007 Jung D24/167
 D541,475 S * 4/2007 Psimadas D28/48
 D544,605 S * 6/2007 Gumisawa D24/186
 D550,365 S * 9/2007 Kitayama D24/186
 D551,660 S * 9/2007 Francz D14/218
 D553,248 S * 10/2007 Nguyen D24/186
 D554,183 S * 10/2007 Paulus D19/161
 D556,201 S * 11/2007 Ashida D14/412
 D556,760 S * 12/2007 Ashida D14/412
 D560,033 S * 1/2008 Rhoad D28/48
 D561,343 S * 2/2008 Liang D24/215
 D562,008 S * 2/2008 Liu D4/138
 D567,243 S * 4/2008 Ashida D14/412
 D569,378 S * 5/2008 Wanamaker D14/426
 D569,523 S * 5/2008 Hsieh D24/206
 D579,015 S * 10/2008 Ashida D14/412
 D582,604 S * 12/2008 Eddinger D28/53
 D582,605 S * 12/2008 Eddinger D28/53
 D588,696 S * 3/2009 Mantle D24/144
 D594,065 S * 6/2009 Oikawa D14/412
 D594,066 S * 6/2009 Oikawa D14/412
 D594,067 S * 6/2009 Oikawa D14/412
 D594,130 S * 6/2009 Scocimara D24/133
 D596,748 S * 7/2009 Oberreiter D24/210

(56)

References Cited

U.S. PATENT DOCUMENTS

D600,697	S *	9/2009	Swiader	D14/405	D765,867	S *	9/2016	Pippel	D24/187
D604,457	S *	11/2009	Psimadas	D28/48	D765,868	S *	9/2016	Pippel	D24/187
D604,905	S *	11/2009	Psimadas	D28/48	D767,770	S *	9/2016	Purfey	D24/186
D604,906	S *	11/2009	Stowers	D28/48	D772,416	S *	11/2016	Ballsieper	D24/167
D609,361	S *	2/2010	McGarry	D24/133	D773,823	S *	12/2016	Wong	D4/102
D611,477	S *	3/2010	Brunner	D14/412	D775,729	S *	1/2017	Mujwid	D24/146
D611,654	S *	3/2010	Nakasuka	D28/48	D776,874	S *	1/2017	Kling	D24/133
D612,510	S *	3/2010	Byle	D24/210	D777,321	S *	1/2017	Nakagami	D24/112
D612,853	S *	3/2010	Waterman	D14/427	D782,684	S *	3/2017	Pippel	D24/186
D614,628	S *	4/2010	Taylor	D14/431	D782,685	S *	3/2017	Pippel	D24/186
D616,607	S *	5/2010	Ramm	D28/48	D785,809	S *	5/2017	Copeland	D24/206
D618,816	S *	6/2010	Kubicki	D24/209	D787,055	S *	5/2017	Ingman	D24/133
D620,200	S *	7/2010	Belozerova	D28/51	D787,083	S *	5/2017	Ely	D24/209
7,749,178	B2 *	7/2010	Imboden	A61H 19/00 601/15	D789,545	S *	6/2017	Pippel	D24/186
D621,546	S *	8/2010	Aulwes	D28/53	D789,549	S *	6/2017	Matsuura	D24/214
D635,718	S *	4/2011	White, Jr.	D28/48	D790,546	S *	6/2017	Zhou	D14/426
7,918,862	B2 *	4/2011	Hull, Jr.	A61H 7/005 604/290	D792,025	S *	7/2017	Faktorovich	D28/48
D637,309	S *	5/2011	Park	D24/215	9,693,759	B2 *	7/2017	Seguy	A61B 17/22031
D639,437	S *	6/2011	Bishay	D24/167	D794,854	S *	8/2017	Zepter	D24/200
D652,512	S *	1/2012	Sherwood	D24/133	D795,423	S *	8/2017	Chen	D24/133
D652,919	S *	1/2012	Sherwood	D24/133	D796,454	S *	9/2017	Zheng	D13/168
D652,920	S *	1/2012	Sherwood	D24/133	D797,743	S *	9/2017	Awad	D14/412
D655,041	S *	2/2012	Grabes	D24/133	D798,443	S *	9/2017	Matthison-Hansen	D24/128
D656,620	S *	3/2012	Altshuler	D24/209	D801,538	S *	10/2017	Rondoni	D24/186
8,139,049	B1 *	3/2012	Brandon	G06F 3/03545 345/179	D802,841	S *	11/2017	Kling	D28/44.1
D660,448	S *	5/2012	Lum	D24/209	D803,398	S *	11/2017	Israni	D24/146
D660,974	S *	5/2012	Jones	D24/209	9,814,904	B2 *	11/2017	Jones	A61N 5/0616
D664,295	S *	7/2012	Grabes	D24/133	D806,796	S *	1/2018	Cowen	D19/178
D665,032	S *	8/2012	Sogabe	D21/329	D806,952	S *	1/2018	Micinilio	D28/48
D667,054	S *	9/2012	Dyer	D19/178	D810,306	S *	2/2018	Rondoni	D24/186
D667,380	S *	9/2012	Ishikawa	D13/168	D812,740	S *	3/2018	Ratjen	D24/112
D667,557	S *	9/2012	Boudier	D24/186	D812,758	S *	3/2018	Yoon	D24/167
D671,226	S *	11/2012	Aulwes	D24/215	D813,396	S *	3/2018	Yoon	D24/167
8,317,781	B2 *	11/2012	Owens	A61N 5/0616 606/9	D820,263	S	6/2018	Rebello et al.	
D683,022	S *	5/2013	Moon	D24/158	D836,639	S *	12/2018	Volta	D14/431
8,540,702	B2 *	9/2013	Ely	A61B 18/203 606/9	D840,402	S *	2/2019	Lim	D14/428
D691,217	S *	10/2013	Condon	D21/566	D844,405	S *	4/2019	Shen	D8/29.1
D692,570	S *	10/2013	Luzon	D24/215	D844,608	S *	4/2019	Chen	D14/388
D695,903	S *	12/2013	Tamsiran	D24/209	D850,644	S *	6/2019	Sedic	D24/215
D696,778	S *	12/2013	Liao	D24/133	D858,789	S *	9/2019	Logan	D24/215
D702,358	S *	4/2014	Shinohara	D24/187	D861,178	S *	9/2019	Emery	D24/187
D706,433	S *	6/2014	Fuhr	D24/200	D864,401	S *	10/2019	Valdivia Tor	D24/200
D706,439	S *	6/2014	Hahr	D24/215	D866,981	S *	11/2019	He	D4/102
D706,440	S *	6/2014	Hahr	D24/215	D868,990	S *	12/2019	Tse	D24/215
D706,444	S *	6/2014	Hahr	D24/215	D872,370	S *	1/2020	Khubani	D28/59
D706,445	S *	6/2014	Logan	D24/215	2002/0104887	A1 *	8/2002	Schlieffers	G06K 7/10881 235/472.02
D710,362	S *	8/2014	Kaminsky	D14/420	2003/0141370	A1 *	7/2003	Hamilton	G06F 16/434 235/462.45
D719,651	S *	12/2014	Hoffmann	D24/133	2004/0230246	A1 *	11/2004	Stein	A61N 1/37247 607/32
D723,160	S *	2/2015	Rodan	D24/146	2006/0092133	A1 *	5/2006	Touma	G06F 3/0346 345/158
D724,726	S *	3/2015	Prokop	D24/133	2007/0038206	A1 *	2/2007	Altshuler	A61B 18/203 606/20
D726,926	S *	4/2015	Matsushita	D24/200	2007/0049374	A1 *	3/2007	Ikeda	A63F 13/06 463/30
D734,479	S *	7/2015	Youngquist	D24/158	2007/0072680	A1 *	3/2007	Ikeda	A63F 13/06 463/43
D734,743	S *	7/2015	Geck	D14/218	2008/0065056	A1 *	3/2008	Powell	A61N 5/0616 606/9
D737,441	S *	8/2015	Presser	D24/146	2008/0140164	A1 *	6/2008	Oberreiter	A61N 5/0616 607/88
D742,003	S *	10/2015	Tasar	D24/146	2008/0306417	A1 *	12/2008	Imboden	A61H 19/00 601/134
D742,530	S *	11/2015	Pippel	D24/187	2009/0157094	A1 *	6/2009	Yeshurun	A61B 17/54 606/131
D742,531	S *	11/2015	Pippel	D24/187	2011/0288372	A1 *	11/2011	Petersen	A61B 1/0008 600/109
D743,030	S *	11/2015	Jayaraj	D24/144	2012/0016379	A1 *	1/2012	Kay	A61B 17/54 606/131
D751,762	S *	3/2016	Hollinger	D28/58	2012/0165800	A1 *	6/2012	Keeney	A61B 18/203 606/9
D753,002	S *	4/2016	Russell	D10/78	2013/0304163	A1 *	11/2013	Moon	A61N 5/0617 607/88
D757,953	S *	5/2016	Philips	D24/200					
9,345,633	B2 *	5/2016	Fuhr	A61H 1/008					
D758,600	S *	6/2016	Matsushita	D24/200					
D759,256	S *	6/2016	Chen	D24/200					
D759,261	S *	6/2016	Son	D24/215					
D759,831	S *	6/2016	Levi	D24/200					
D760,668	S *	7/2016	Mishan	D13/168					
D761,434	S *	7/2016	Nelson	D24/186					
D763,254	S *	8/2016	Aumiller	D14/344					

(56)

References Cited

U.S. PATENT DOCUMENTS

2015/0051620 A1* 2/2015 Presser A61B 17/54
606/131
2015/0150353 A1* 6/2015 Yiu A45D 29/05
132/75.6
2015/0238094 A1* 8/2015 Lai A61B 5/04085
600/301

* cited by examiner

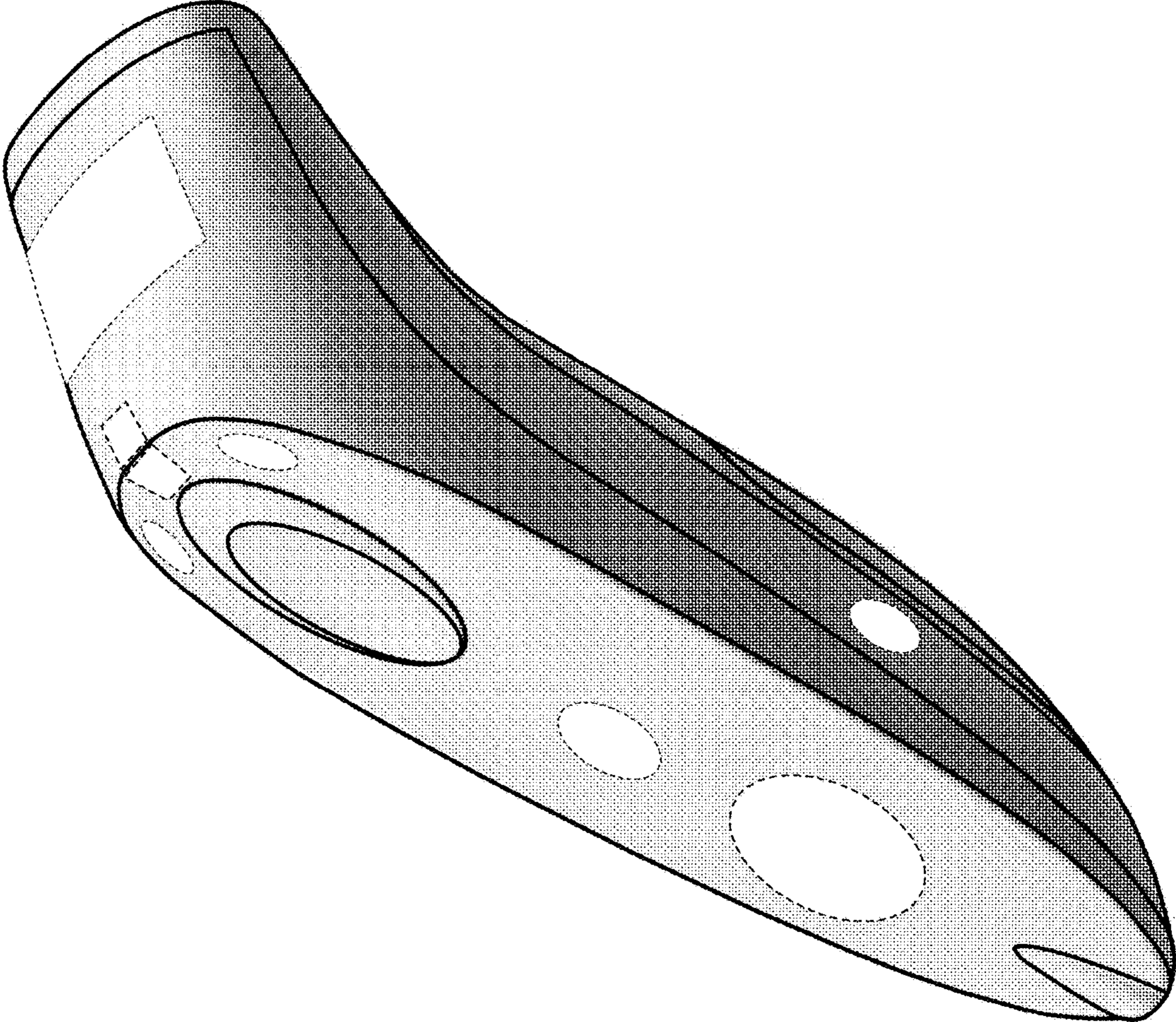


Fig. 1

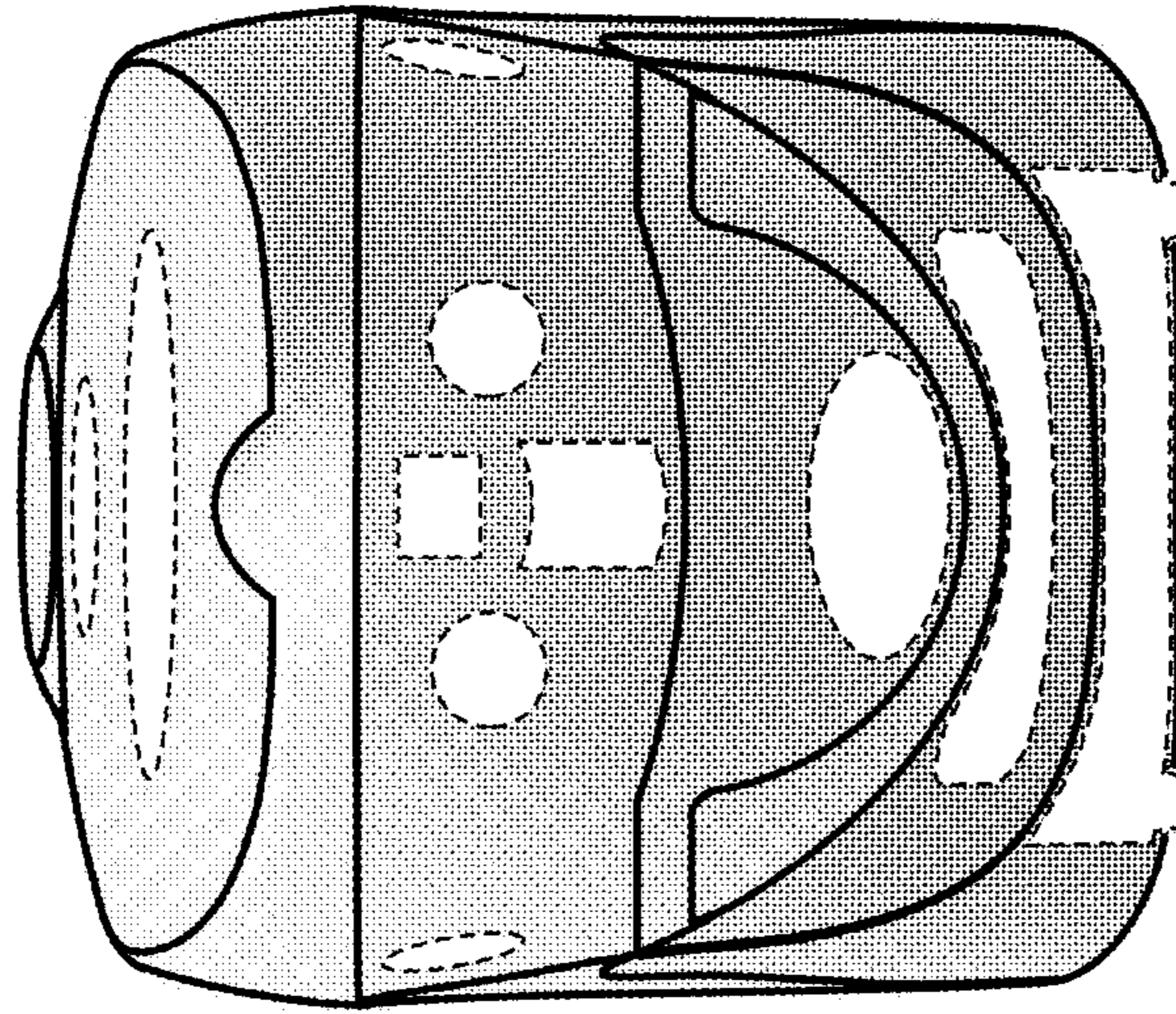


Fig. 3

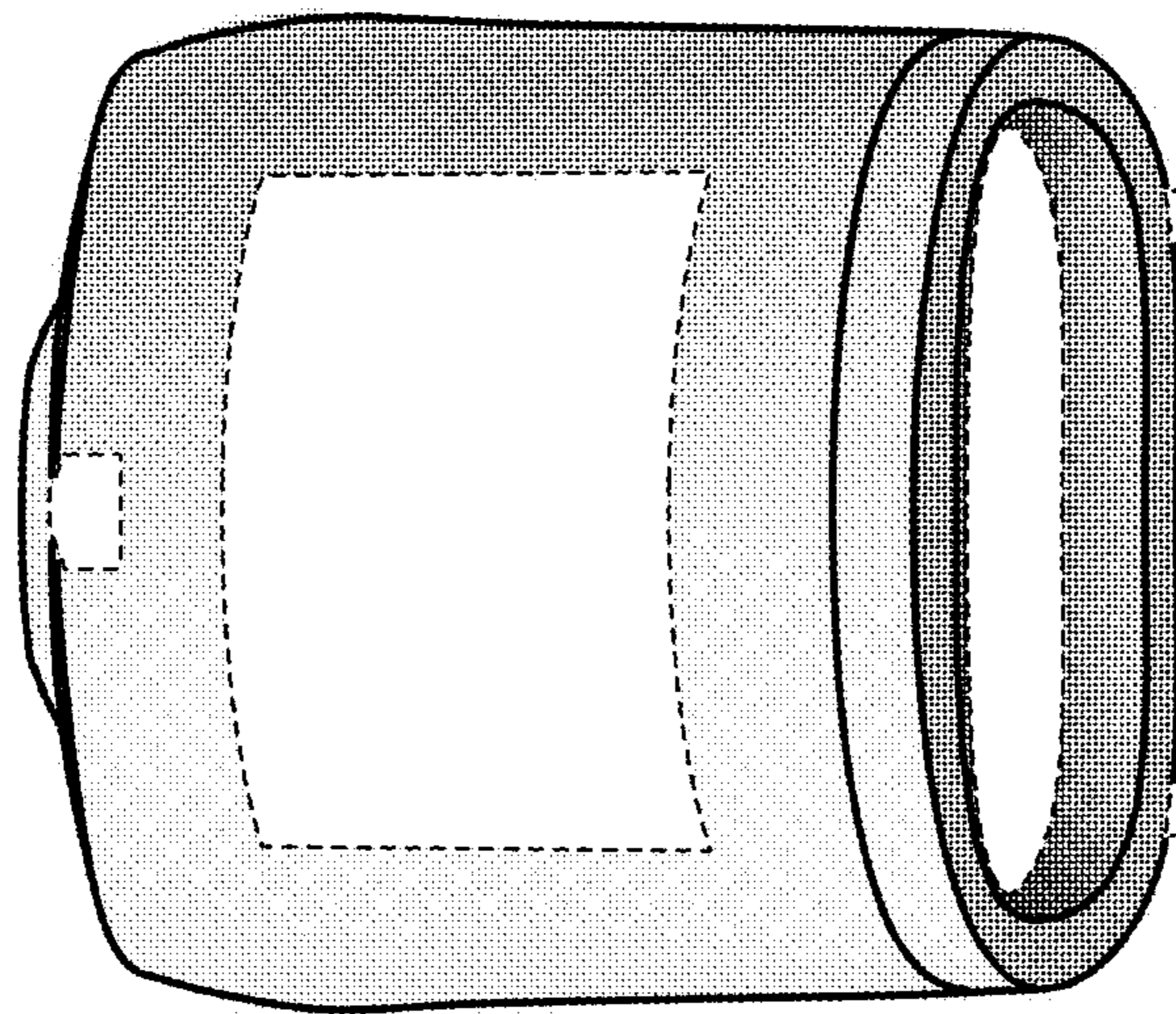


Fig. 2

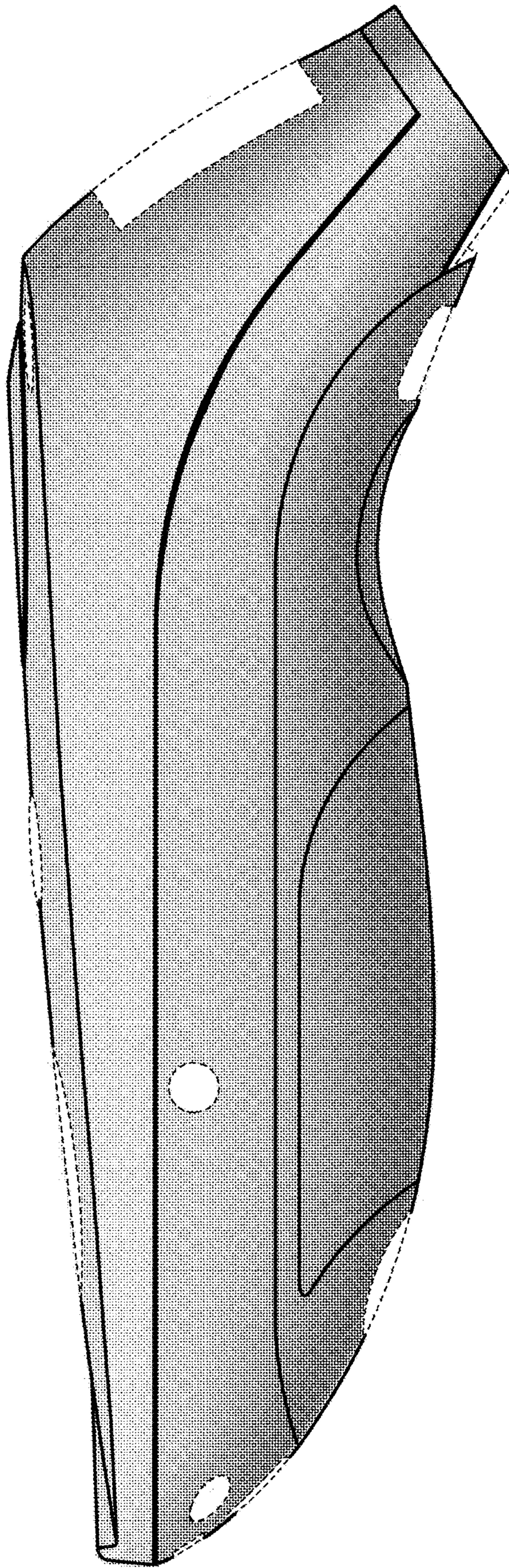


Fig. 4

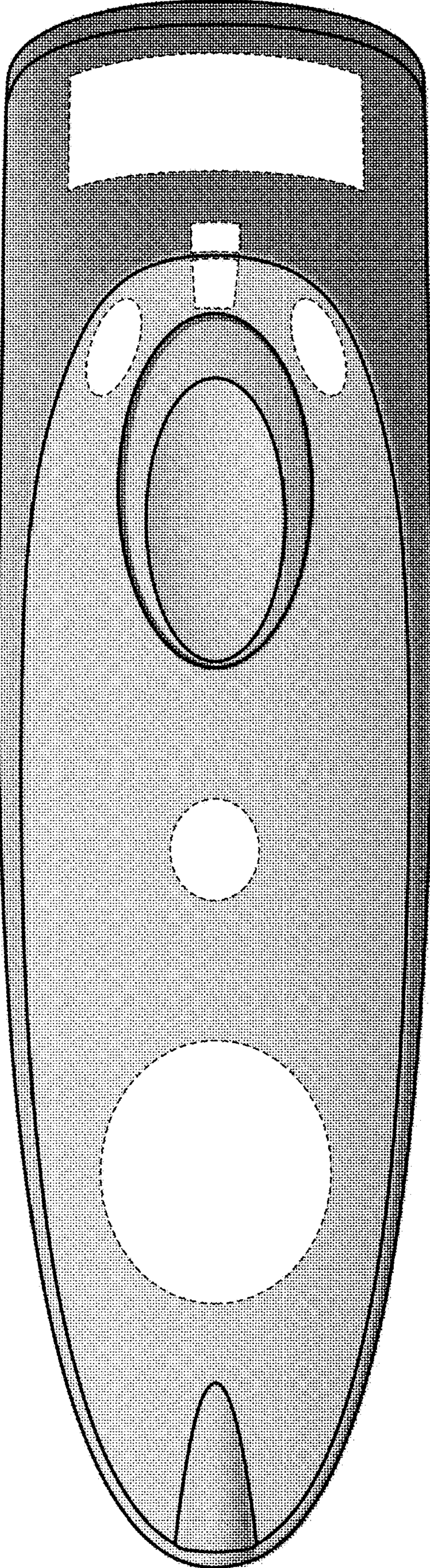


Fig. 5

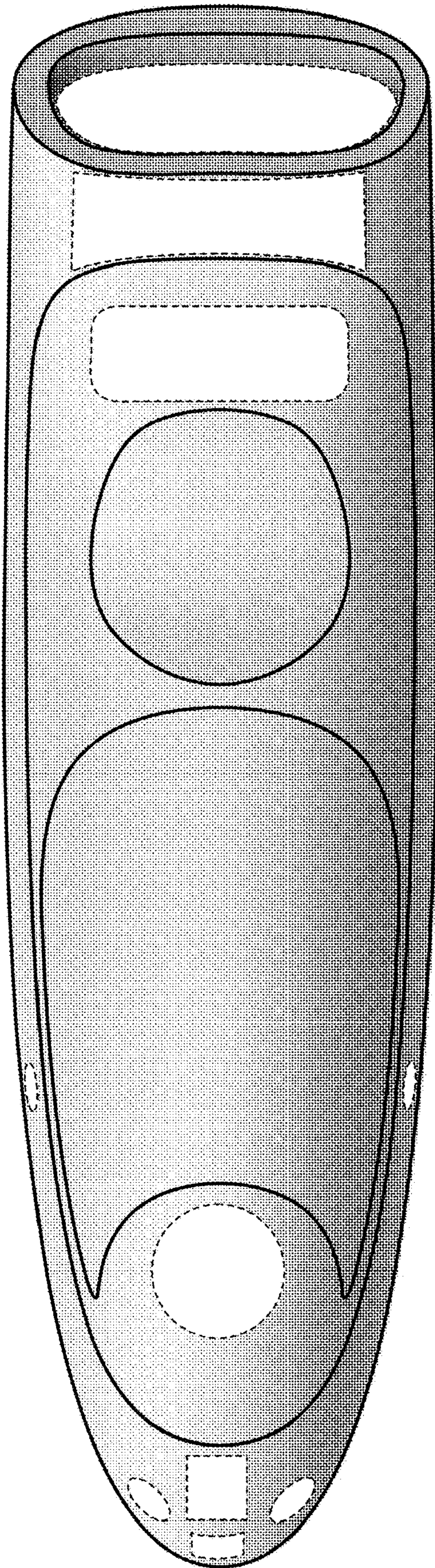


Fig. 6