



US00D884697S

(12) **United States Design Patent** (10) **Patent No.:** **US D884,697 S**
Park et al. (45) **Date of Patent:** **** May 19, 2020**

(54) **DIGITAL BOARD**

FOREIGN PATENT DOCUMENTS

(71) Applicant: **SAMSUNG ELECTRONICS CO., LTD.**, Suwon-si, Gyeonggi-do (KR)

CN 303298168 * 7/2015
JP D123761 * 8/2004

(Continued)

(72) Inventors: **Jeong-Woo Park**, Seoul (KR); **Sung-Jin Ann**, Seoul (KR); **Dong-Hee Won**, Seoul (KR); **Ju-Won Cho**, Seoul (KR)

OTHER PUBLICATIONS

Rolling TV Cart, supertek, amazon.com, author not listed, customer review posted on Jul. 11, 2016 © 1996-2019 Amazon.com, Inc., online, site visited Jun. 5, 2019. Available from Internet, URL: <https://www.amazon.com/suptek-Rolling-Mobile-Wheels-Shelves/dp/B00Y8JCJNU?psc=1&SubscriptionId=AKIAIMZ5> . . . (Year: 2016).*

(Continued)

(73) Assignee: **SAMSUNG ELECTRONICS CO., LTD.**, Gyeonggi-Do (KR)

(**) Term: **15 Years**

(21) Appl. No.: **29/647,855**

(22) Filed: **May 16, 2018**

Primary Examiner — Marissa J Cash

Assistant Examiner — Altaira J Swangin

(30) **Foreign Application Priority Data**

Nov. 17, 2017 (KR) 30-2017-0053673

(74) *Attorney, Agent, or Firm* — Cantor Colburn LLP

(51) **LOC (12) Cl.** **14-02**

(57) **CLAIM**

(52) **U.S. Cl.**

The ornamental design for a digital board, as shown and described.

USPC **D14/375**

(58) **Field of Classification Search**

DESCRIPTION

USPC D14/300, 305-307, 314, 336, 373, D14/375-376, 448, 450-451, 125-134, D14/239, 371; 40/406, 427, 40/606.01-606.02; D20/39, 41-42, 10, D20/19; 345/1.1, 1.3; 211/180, 207, 211/1.57, 19-24, 169.1, 204, 206; D6/322, 708.24-708.25, 300-302, 308, (Continued)

FIG. 1 is a front perspective view of a digital board showing our new design;
FIG. 2 is a front view thereof;
FIG. 3 is a rear view thereof;
FIG. 4 is a left-side view thereof;
FIG. 5 is a right-side view thereof;
FIG. 6 is a top plan view thereof;
FIG. 7 is a bottom plan view thereof;
FIG. 8 is a rear perspective view thereof;
FIG. 9 is another rear perspective view thereof; and,
FIG. 10 is another front view thereof.

(56) **References Cited**

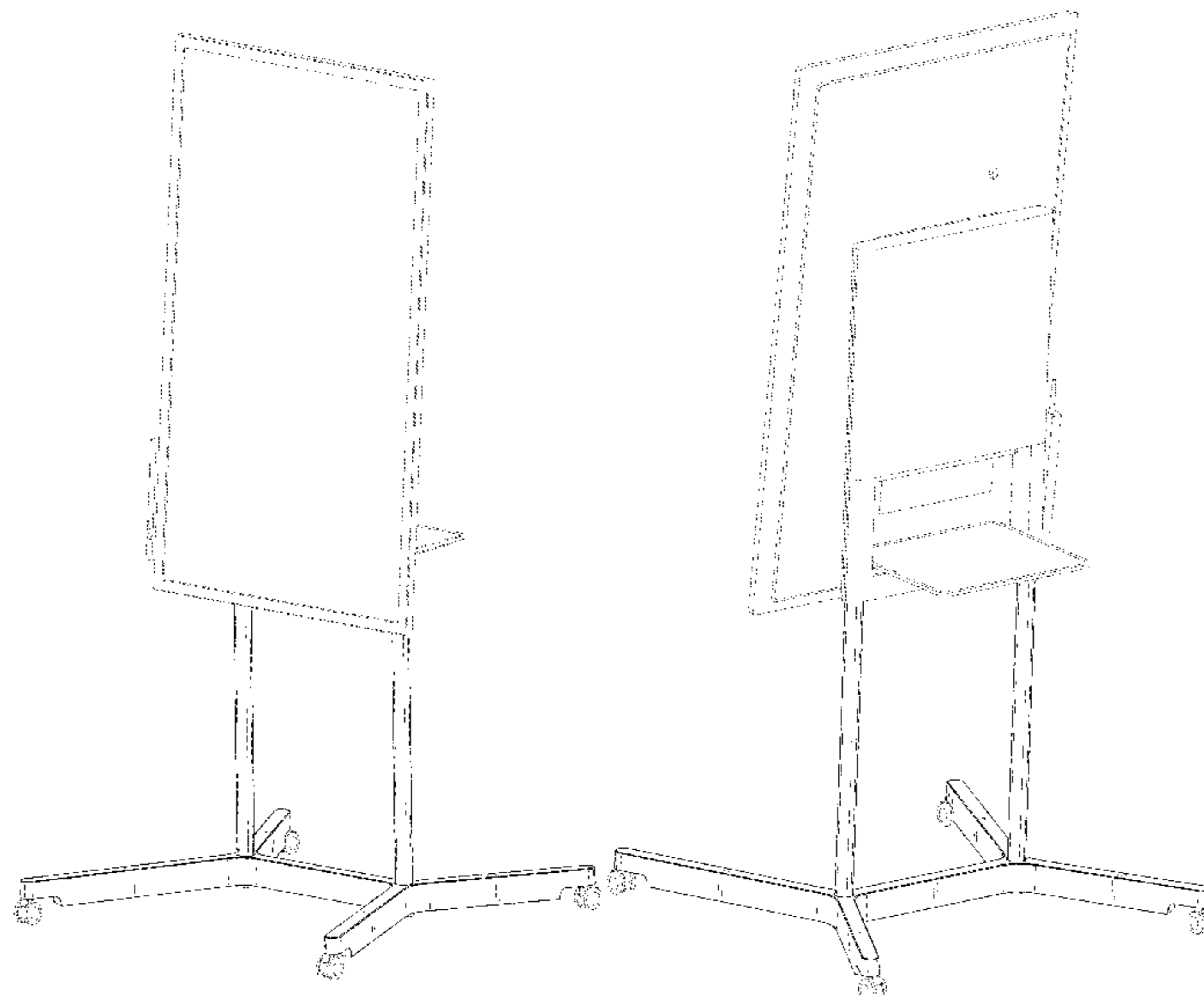
The evenly dashed broken lines illustrating portions of the digital board form no part of the claimed design.

U.S. PATENT DOCUMENTS

D193,861 S * 10/1962 Nissen et al. D21/797
3,146,892 A * 9/1964 White A47F 7/24
211/204

(Continued)

1 Claim, 10 Drawing Sheets



(58) **Field of Classification Search**

USPC D6/310, 312, 708.23–708.24; 248/98,
248/129–131; D19/113–114; D12/115
CPC ... E04H 1/1227; E04H 1/1272; E04H 1/1222;
G09F 13/00; G09F 9/00; G09F 9/3023;
G09F 9/3026; B62B 3/108; B62B 3/02;
B62B 2301/00; B62B 2301/02; B62B
2301/254

See application file for complete search history.

(56) **References Cited**

U.S. PATENT DOCUMENTS

D233,809 S * 12/1974 Platner D6/366
D233,812 S * 12/1974 Platner D6/708.23
RE32,359 E * 2/1987 Seely G09F 7/22
4,905,944 A * 3/1990 Jost A61M 5/1415
248/125.8
D324,616 S * 3/1992 Grahl D6/708.25
5,181,129 A * 1/1993 Sato H04N 1/0402
346/21
D351,863 S * 10/1994 Sarkisian D20/41
D400,361 S * 11/1998 Sobrito D6/332
D401,625 S * 11/1998 Verbeek D19/114
D431,910 S * 10/2000 Glass D6/310
6,318,699 B1 * 11/2001 Williams B25H 1/0007
248/129
6,390,311 B1 * 5/2002 Belokin A61M 5/1415
211/189
6,401,948 B1 * 6/2002 Huang A47F 5/137
211/206
D466,331 S * 12/2002 Chang D6/681.1
D466,727 S * 12/2002 Abboud D14/305
D470,685 S * 2/2003 Chang D6/681.1
6,626,307 B1 * 9/2003 Lin A47G 25/0664
211/206
6,669,037 B1 * 12/2003 Ahn A47F 5/137
211/189
6,745,909 B1 * 6/2004 Lai A47G 25/0664
211/204
6,796,446 B2 * 9/2004 Segall A47G 25/0664
211/204
7,345,587 B2 * 3/2008 Bremer G06K 7/10316
211/206
7,445,184 B1 * 11/2008 Johnson B05B 13/0285
248/176.1
D615,072 S * 5/2010 Saitou D14/239
D626,237 S * 10/2010 Nordgren D24/185
D626,763 S * 11/2010 Koh D6/312
D627,394 S * 11/2010 Nakayama D19/114
D671,170 S * 11/2012 Udagawa D19/114
D680,106 S * 4/2013 Hwangbo D14/239
D683,337 S * 5/2013 Kim D14/239
8,567,102 B2 * 10/2013 Topcuoglu G09F 7/22
40/608
D718,287 S * 11/2014 Lee D14/239
D718,751 S * 12/2014 Ann D14/239
8,959,813 B2 * 2/2015 Denby A47F 5/10
211/175
D723,623 S * 3/2015 Smith D20/41
D727,879 S * 4/2015 Lee D14/239
D732,496 S * 6/2015 Mellingen D14/126

D742,863 S * 11/2015 Aoyagi D14/239
9,175,801 B2 * 11/2015 Adilman G09F 7/22
D807,880 S * 1/2018 Varghese D14/371
D822,108 S * 7/2018 Avallon D19/114
D822,109 S * 7/2018 Avallon D19/114
10,017,199 B2 * 7/2018 Silva B62B 3/108
D826,608 S * 8/2018 Pedersen D6/708.23
D837,296 S * 1/2019 Martin D19/114
D864,296 S * 10/2019 Park D19/113
2003/0062663 A1 * 4/2003 Fox B25H 1/0007
269/17
2003/0196980 A1 * 10/2003 Ahn A47F 5/137
211/189
2003/0222186 A1 * 12/2003 Kim G01M 17/0078
248/129
2005/0127018 A1 * 6/2005 Sung A47F 5/0838
211/206
2005/0275178 A1 * 12/2005 Huesdash A47B 57/482
280/47.35
2006/0065615 A1 * 3/2006 Wang A47B 91/02
211/206
2006/0091096 A1 * 5/2006 Velez B62B 3/002
211/194
2007/0163974 A1 * 7/2007 Lai A47G 25/0664
211/85.3
2013/0228997 A1 * 9/2013 Fukuhara A61G 5/10
280/304.1
2015/0008201 A1 * 1/2015 Qiang A47F 7/24
211/85.3
2015/0328398 A1 * 11/2015 DiVito F16M 11/42
248/98
2017/0036685 A1 * 2/2017 Spence B62B 3/108

FOREIGN PATENT DOCUMENTS

JP D1386161 S 4/2010
JP D1528989 S 7/2015
KR 300788090 S 3/2015

OTHER PUBLICATIONS

Flip Stand STN-WM55H, Samsung.com, author not listed, posted on Nov. 6, 2018 per wayback machine @ 1995-2019 Samsung, online, site visited Jun. 5, 2019. Available from Internet, URL: <https://www.samsung.com/us/business/products/displays/accessories/stands/flip-stand-stn-wm55h-stn-wm55h-za/> (Year: 2018).*

TV Cart Stand, Mount-It!, staples.com, author not listed, posted on Mar. 26, 2017 per wayback machine © 1998-2019 Staples, Inc., online, site visited Jun. 23, 2019. Available from Internet, URL: <https://www.staples.com/Mount-It-Mi-876-TV-Cart-Mobile-TV-Stand-Wheeled-Height-Adjustable-Flat-Screen...> (Year: 2017).*

BT8503 LCD LED Plasma Trolley, B-Tech, flatscreensupport.wordpress.com, published by Flat Screen Supports on Nov. 10, 2016 per wayback machine © not listed, online, site visited Jun. 25, 2019. Available URL: <https://flatscreensupport.wordpress.com/2015/07/14/b-tech-bt8503-lcd-led-plasma-trolley...> (Year: 2016).*

BT4003 Large Floor Base for Display Stands, B-Tech, btechavmounts.com, author not listed, published on Jul. 13, 2013 per wayback machine © not listed, online, site visited Jul. 13, 2019. Available from Internet, URL: <https://www.btechavmounts.com/product-range/products/bt4003> (Year: 2013).*

* cited by examiner

FIG. 1

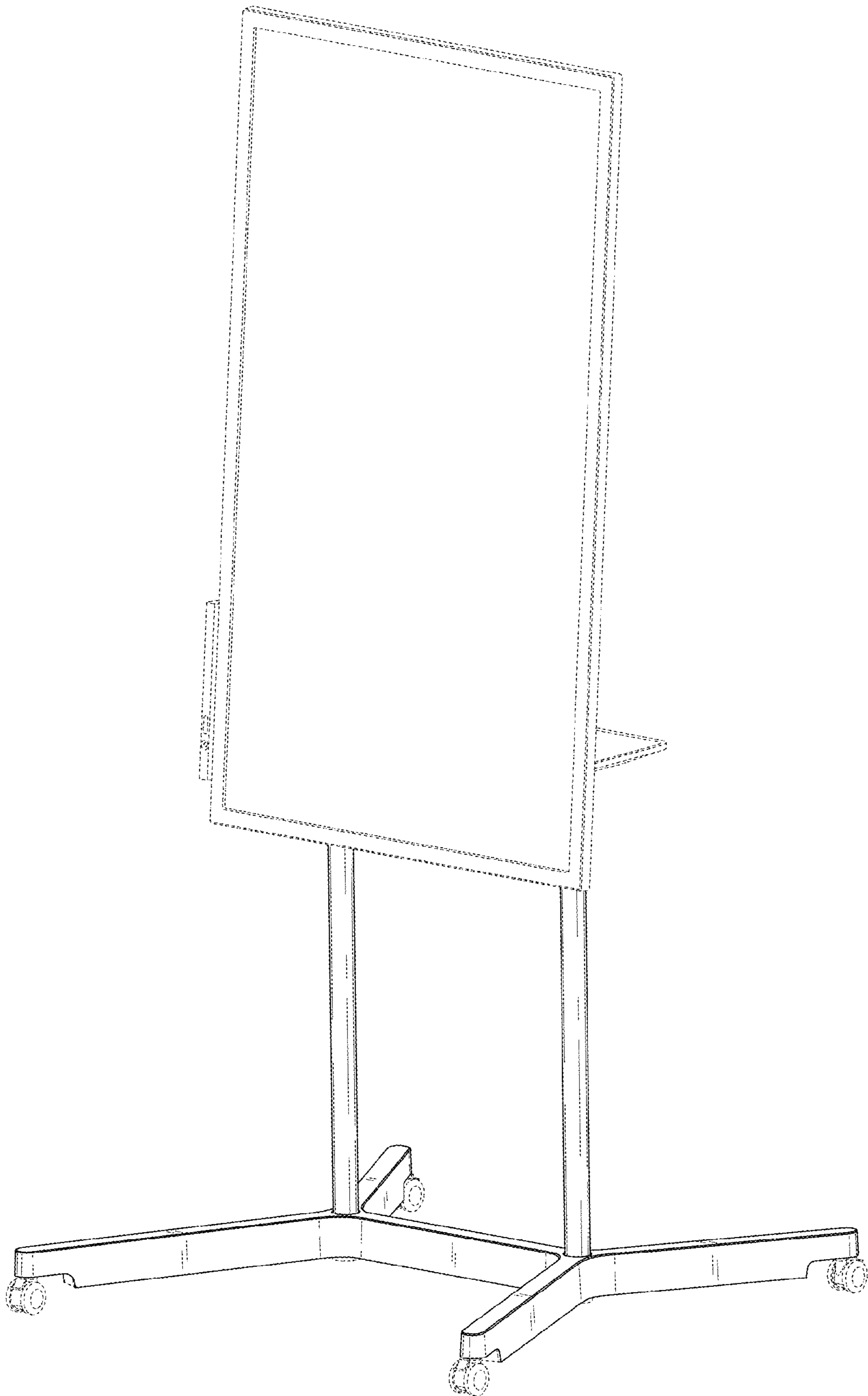


FIG. 2

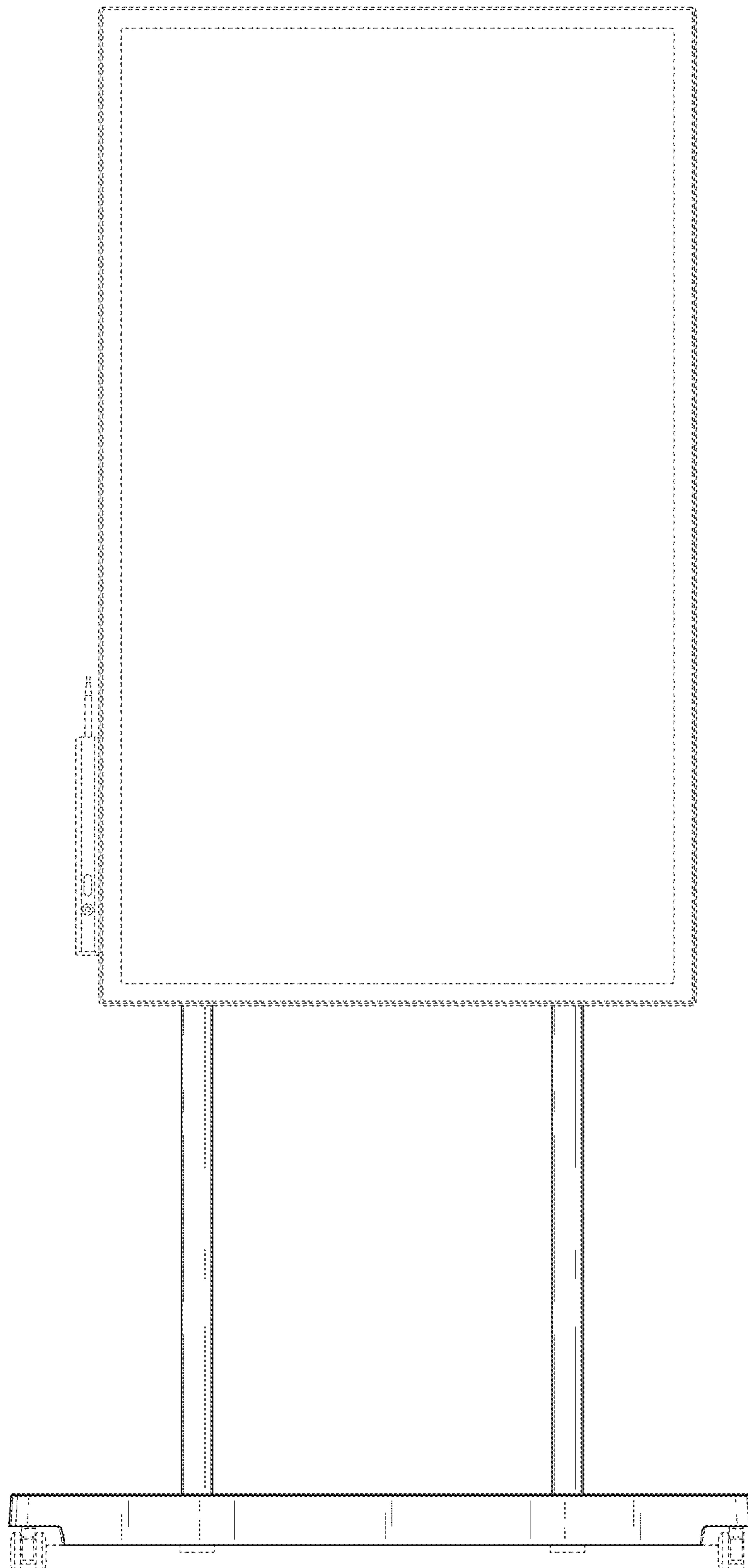


FIG. 3

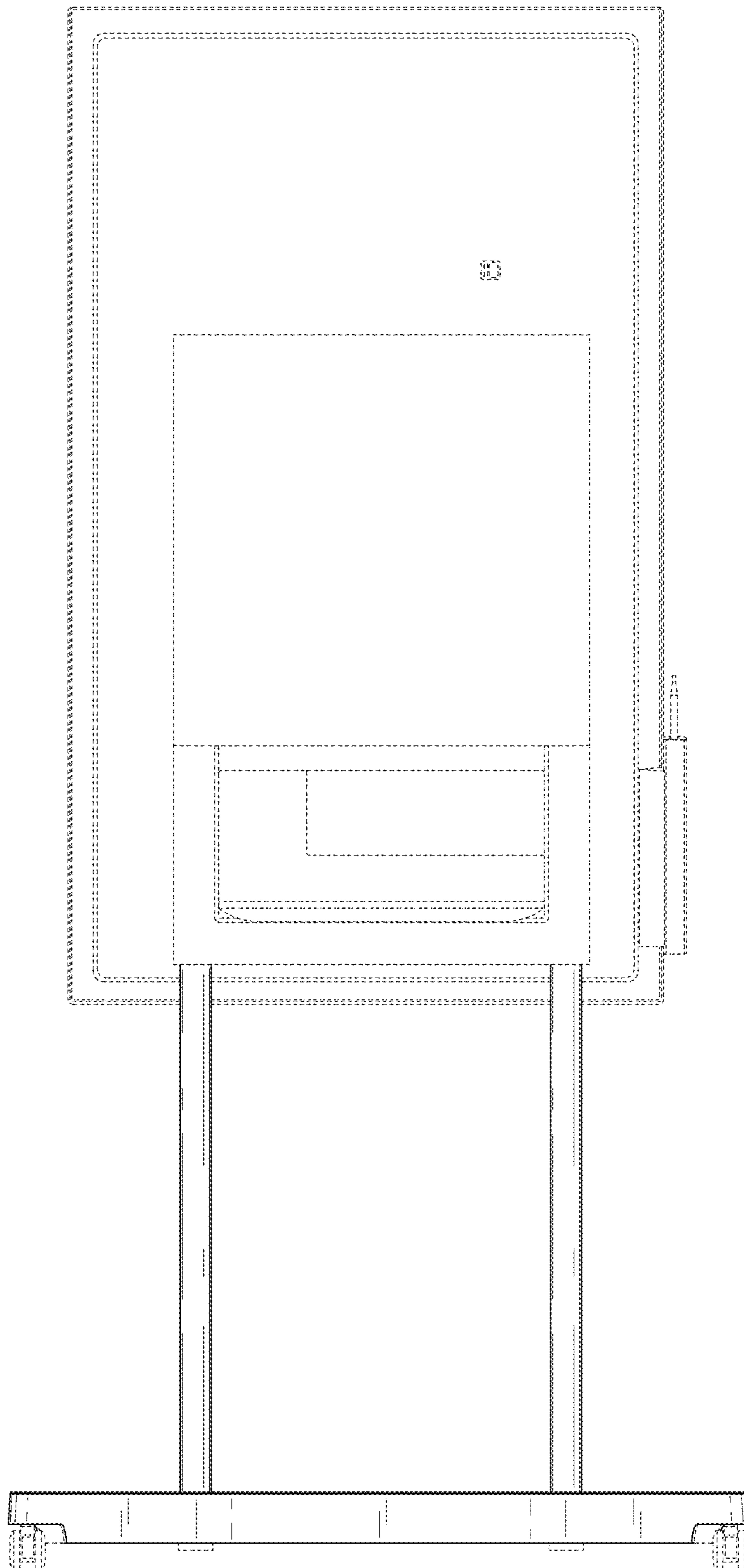


FIG. 4

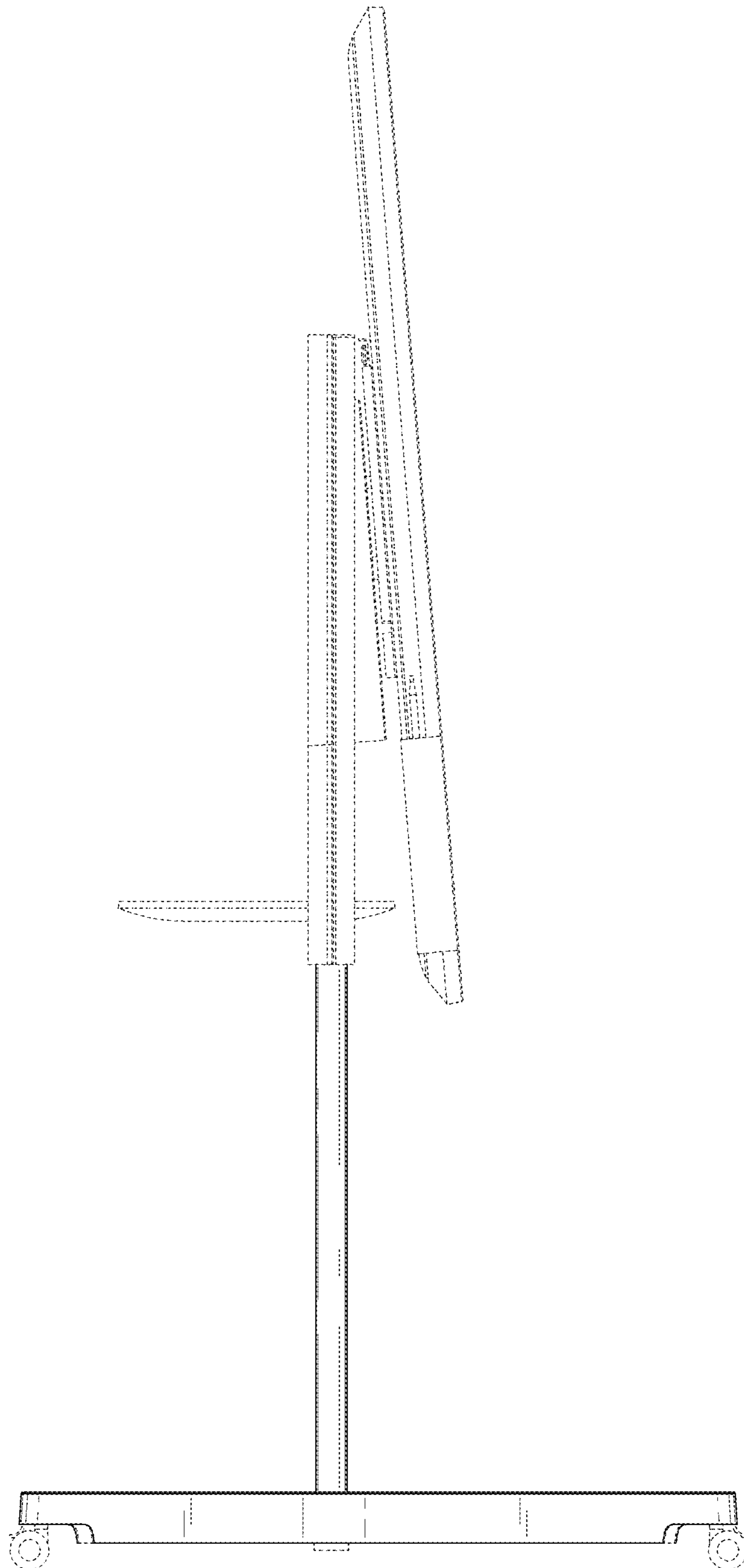


FIG. 5

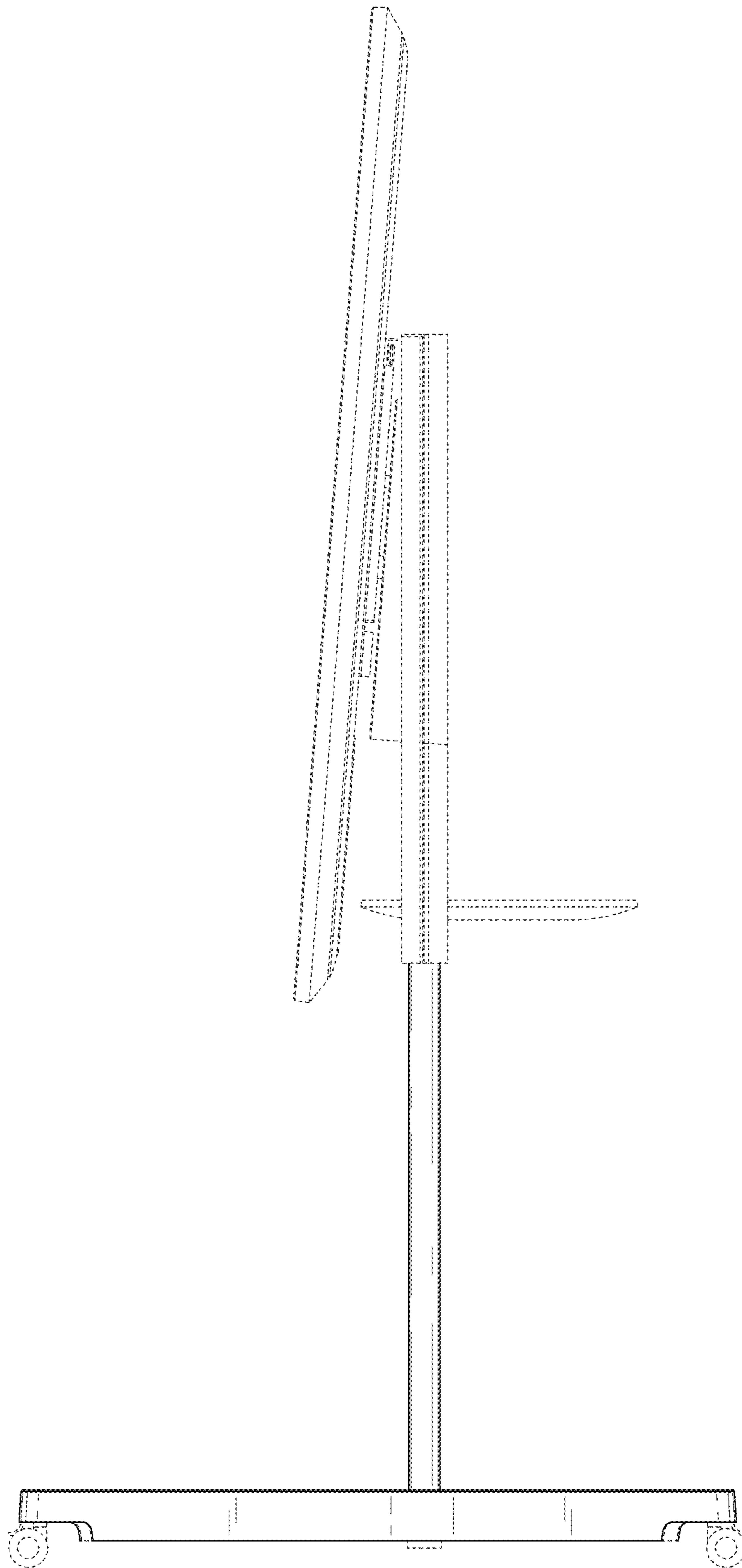


FIG. 6

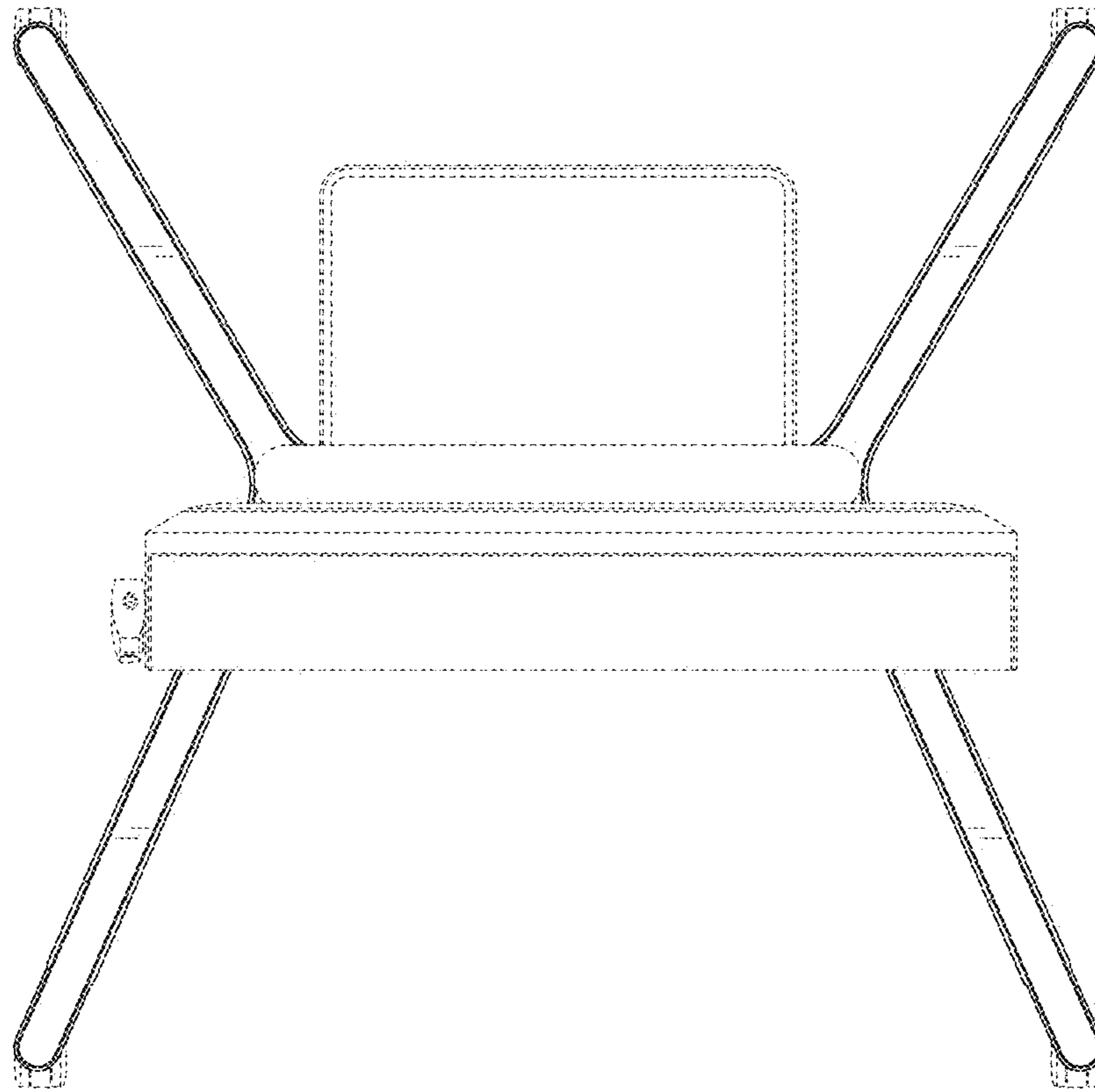


FIG. 7

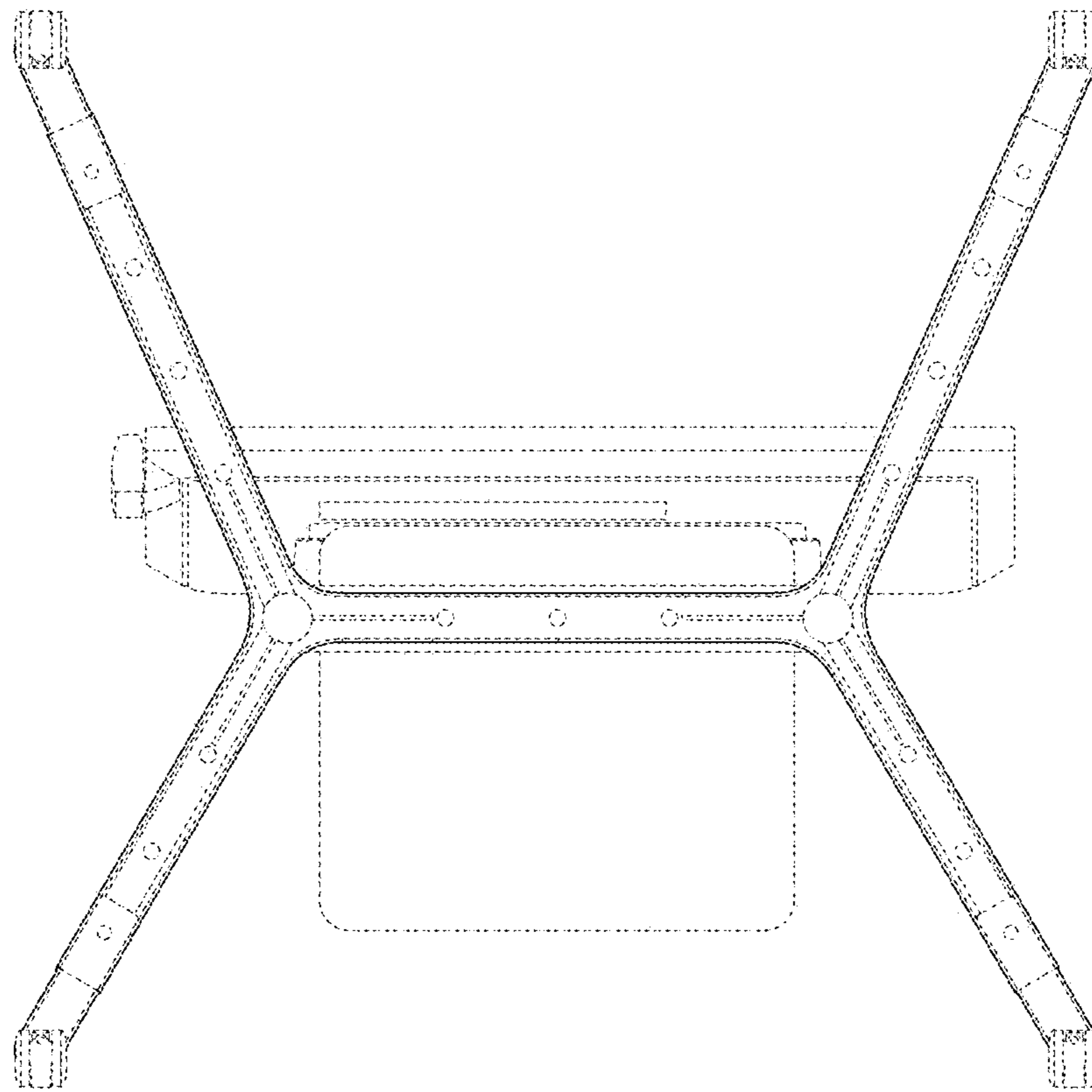


FIG. 8

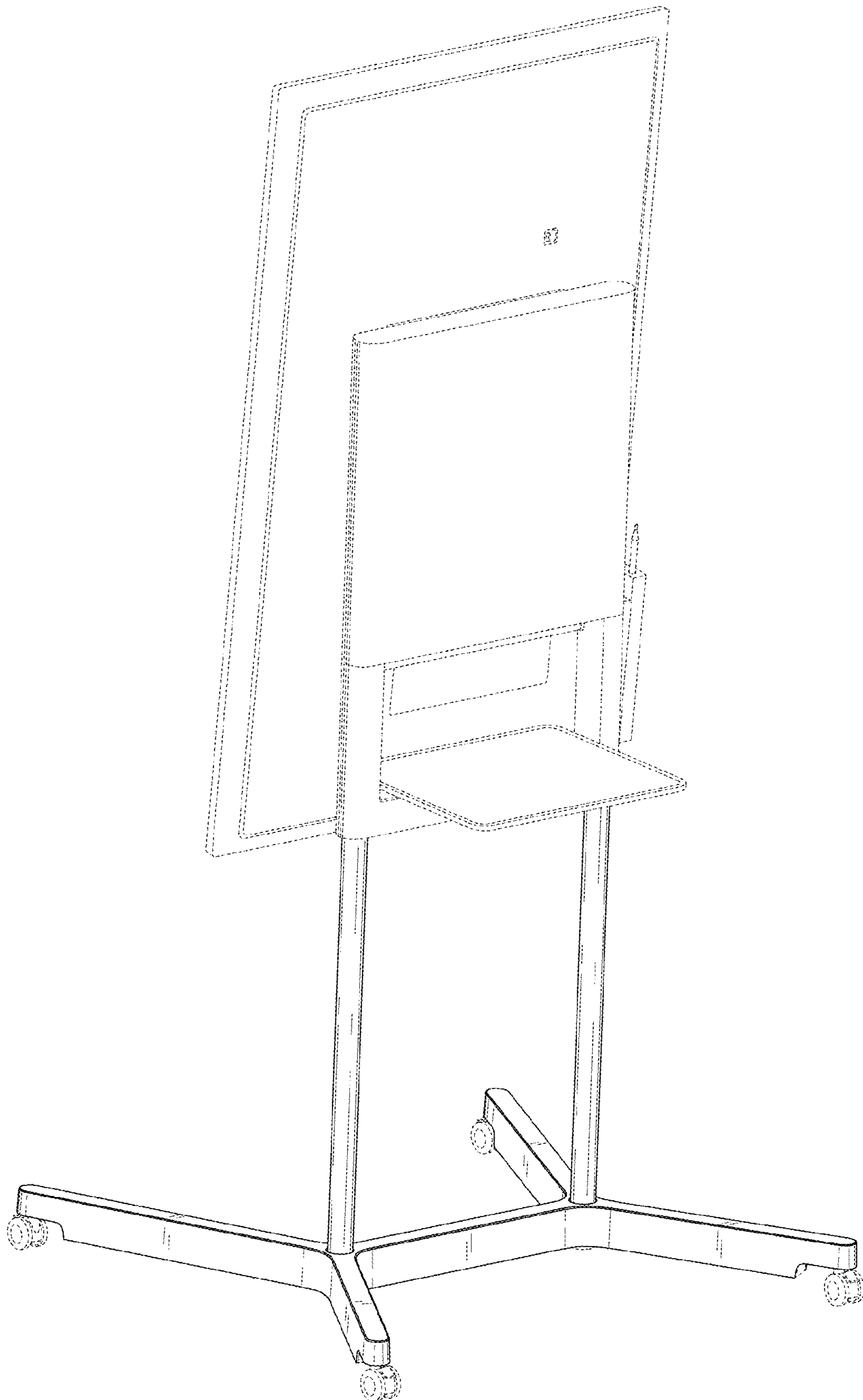


FIG. 9

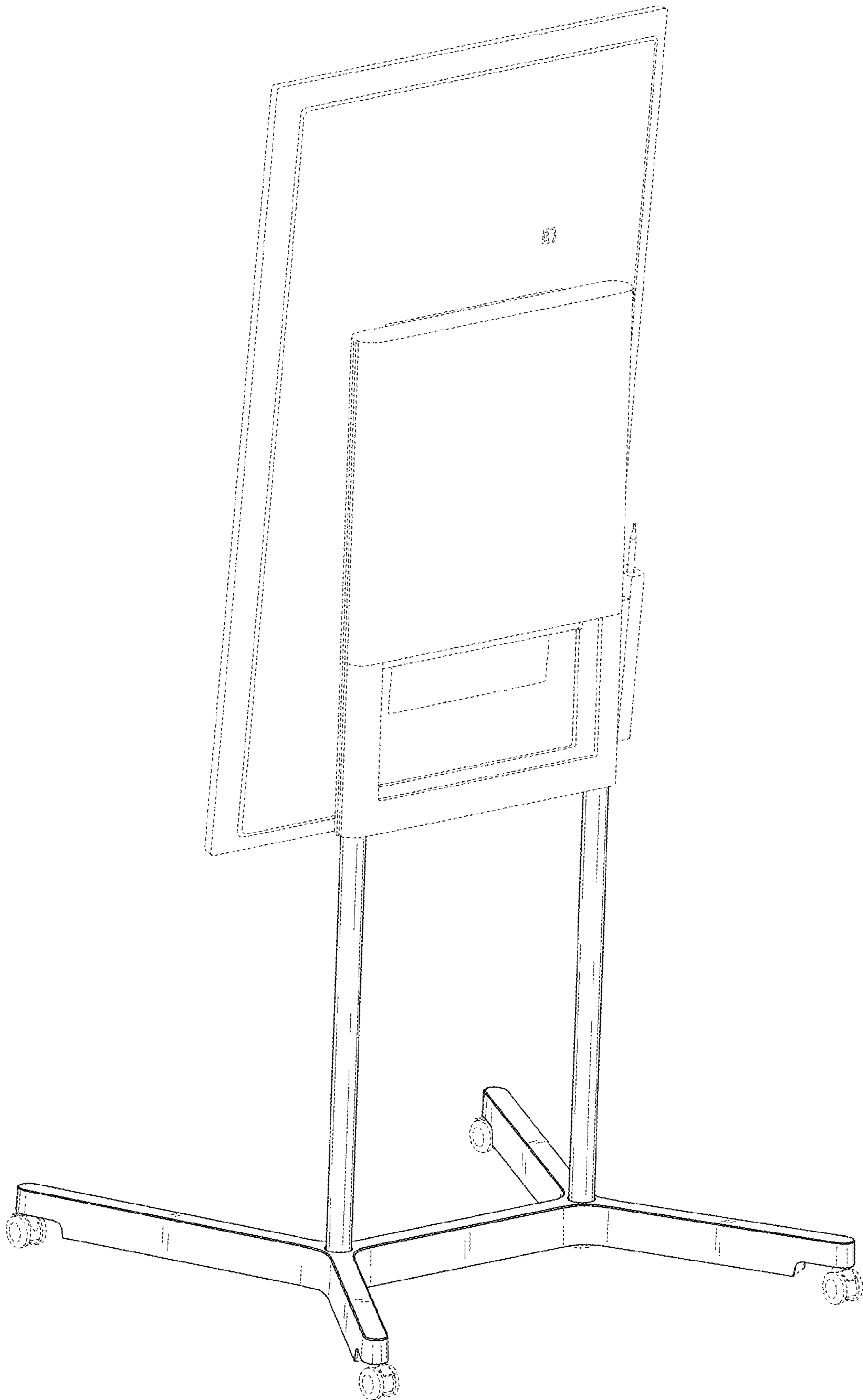


FIG. 10

