



US00D884694S

(12) **United States Design Patent** (10) **Patent No.:** **US D884,694 S**
Mangeot (45) **Date of Patent:** **** May 19, 2020**

(54) **INTERACTIVE AND MULTISERVICE DIGITAL TERMINAL**

D722,313 S * 2/2015 Birgeoglu D14/307
D723,026 S * 2/2015 Birgeoglu D14/307
D742,455 S * 11/2015 Denby D20/19

(71) Applicant: **AKSOR**, Saint-Thibault-des-Vignes (FR)

(Continued)

FOREIGN PATENT DOCUMENTS

(72) Inventor: **Jacques Gilbert Marie Mangeot**, Bussy-Saint-Georges (FR)

EM 003073279-0002 5/2016
EM 003112861-0001 5/2016

(73) Assignee: **AKSOR**, Saint-Thibault-des-Vignes (FR)

OTHER PUBLICATIONS

(**) Term: **15 Years**

McDonald's Self-Serve Kiosks Arrive in Winnipeg, Aug. 17, 2016, [online], [site visited Jun. 8, 2019]. Retrieved from url:https://accesswinnipeg.com/2016/08/mcdonalds-self-serve-kiosks-arrive-in-winnipeg/ (Year: 2016) (6 Pages Total).

(21) Appl. No.: **29/697,855**

(Continued)

(22) Filed: **Jul. 11, 2019**

Related U.S. Application Data

(62) Division of application No. 35/505,397, filed on Mar. 22, 2018 (U.S. filing date under 35 U.S.C. 384), and having an international filing date of Mar. 22, 2018.

Primary Examiner — George D. Kirschbaum

Assistant Examiner — Joseph J Kukella

(74) *Attorney, Agent, or Firm* — Arent Fox LLP

(51) **LOC (12) Cl.** **14-02**

(52) **U.S. Cl.**
USPC **D14/307**

(57) **CLAIM**

The ornamental design for an interactive and multiservice digital terminal, as shown and described.

(58) **Field of Classification Search**

USPC D20/10, 19, 41; D13/108, 162, 163; D14/302, 303, 305, 306, 307, 900, 901, D14/902; D21/324, 325, 329; D99/28
CPC G06Q 20/18; G06Q 20/20; G07F 19/20; E04H 1/1222

DESCRIPTION

See application file for complete search history.

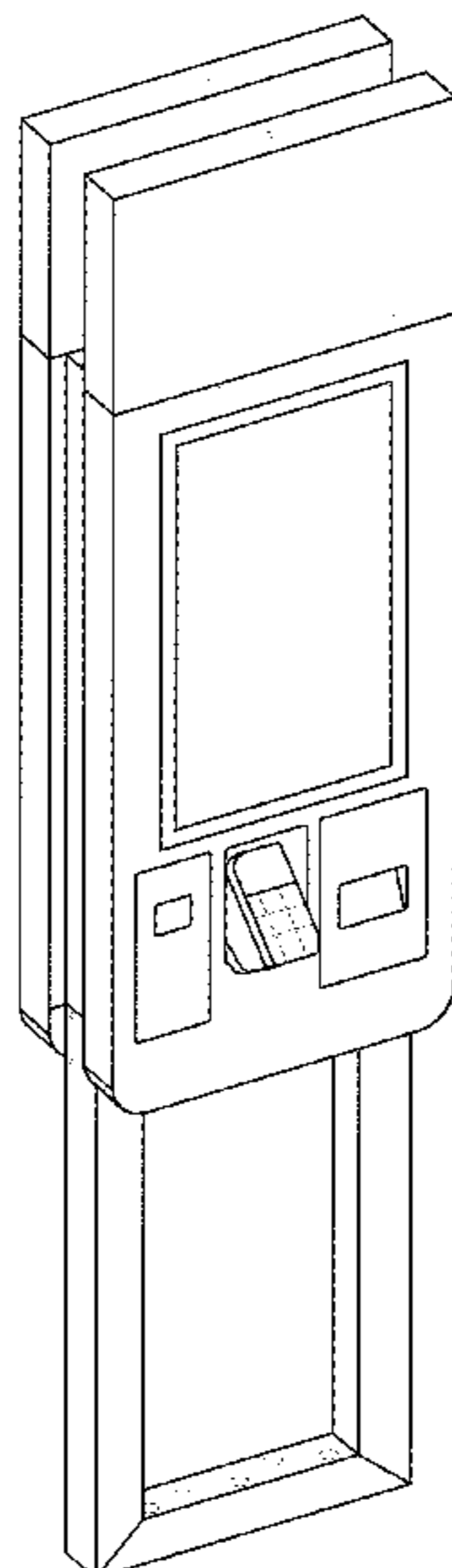
FIG. 1 is a left side view of an interactive and multiservice digital terminal showing my new design; FIG. 2 is a right side view of the design shown in FIG. 1; FIG. 3 is a bottom view of the design shown in FIG. 1; FIG. 4 is a top view of the design shown in FIG. 1; FIG. 5 is a back view of the design shown in FIG. 1; FIG. 6 is a front view of the design shown in FIG. 1; and, FIG. 7 is a perspective view of the design shown in FIG. 1. The broken lines shown in the figures form no part of the claimed design and are included for the purpose of illustrating portions of the interactive and multiservice digital terminal that form no part of the claimed design.

(56) **References Cited**

U.S. PATENT DOCUMENTS

D395,677 S * 6/1998 Gongora D20/10
D398,653 S * 9/1998 Hiraguchi D20/10
D479,858 S * 9/2003 Strunk D20/41
D608,775 S * 1/2010 Leung D14/307
D639,800 S 6/2011 Magruder

1 Claim, 7 Drawing Sheets



(56)

References Cited

U.S. PATENT DOCUMENTS

D759,617 S 6/2016 Soares
D776,651 S 1/2017 Yates
D782,467 S 3/2017 Bladwell
D783,596 S 4/2017 Payne et al.
D790,457 S * 6/2017 Vargas D13/108
D801,327 S 10/2017 Fergusson
D801,328 S 10/2017 Fergusson
D820,554 S 6/2018 Lee et al.
D825,664 S * 8/2018 Niziol D20/10
D833,427 S 11/2018 Hansen
D869,412 S 12/2019 Spencer et al.
2002/0124271 A1 * 9/2002 Herrmann G06Q 30/02
725/151
2016/0180371 A1 6/2016 Deng
2017/0017263 A1 1/2017 Birgeoglu et al.
2018/0275813 A1 9/2018 Mulleris

OTHER PUBLICATIONS

Acrelec on Twitter Take it easy and have fun, Aug. 11, 2017, [online], [site visited Jun. 8, 2019]. Retrieved from url:<https://twitter.com/Acrelec/status/896070255583182848> (Year: 2017)(1 Page Total).

* cited by examiner

FIG. 1

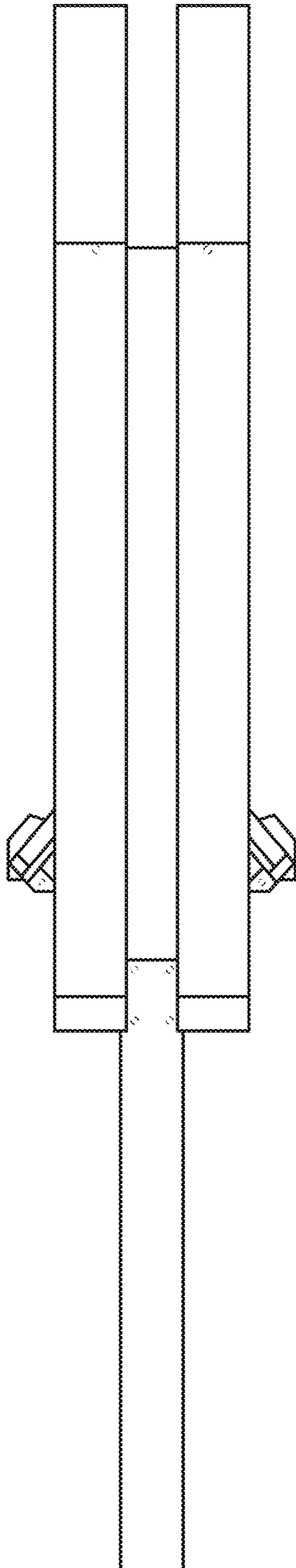


FIG. 2

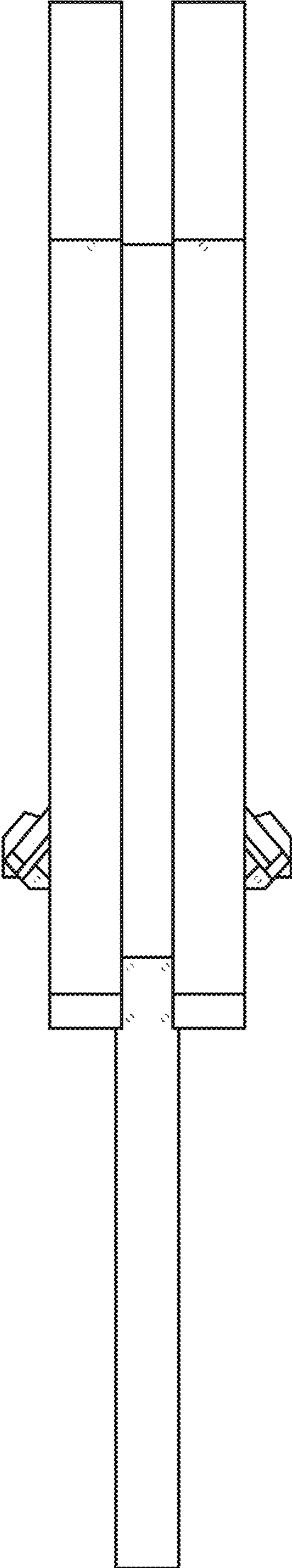


FIG. 3

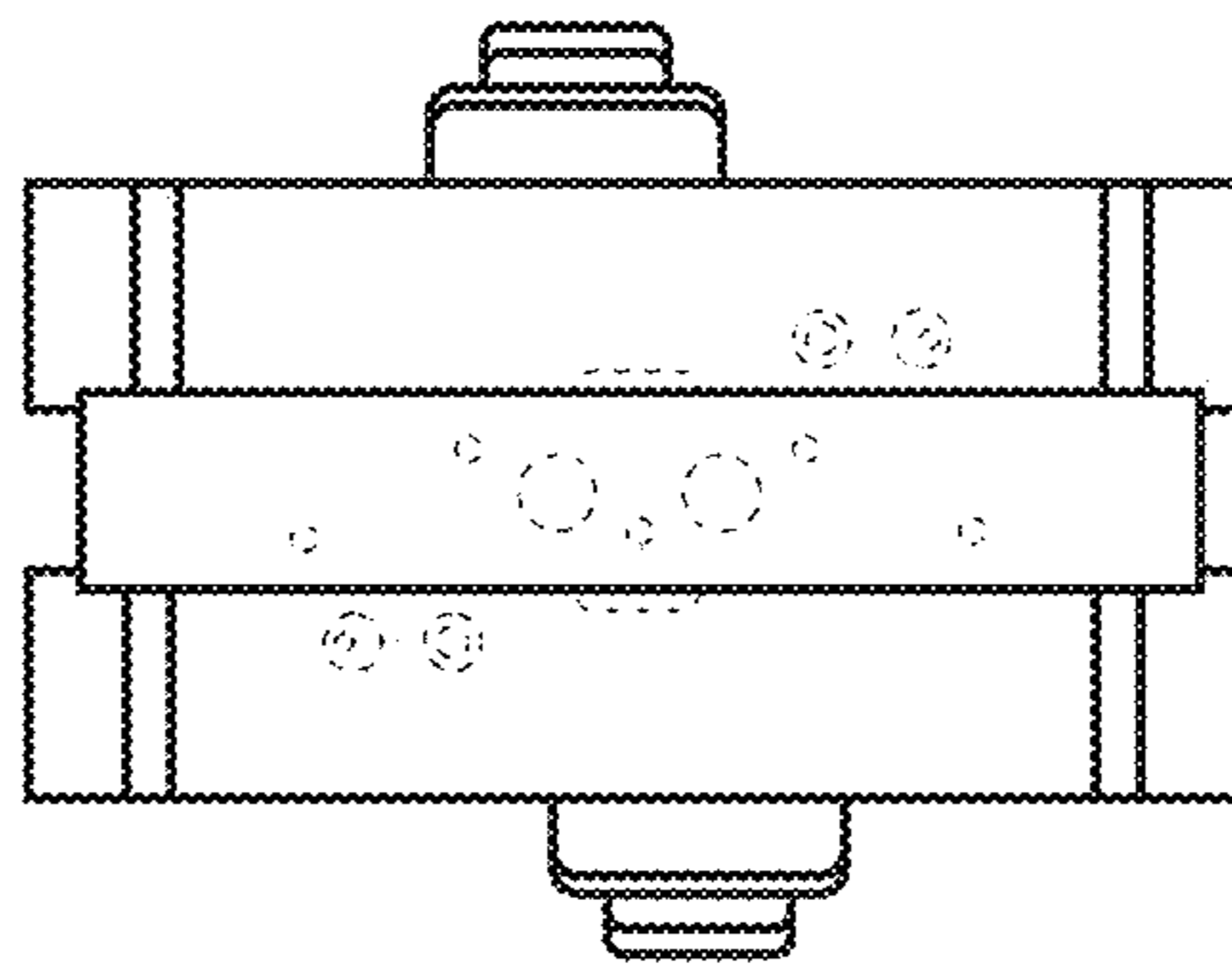


FIG. 4

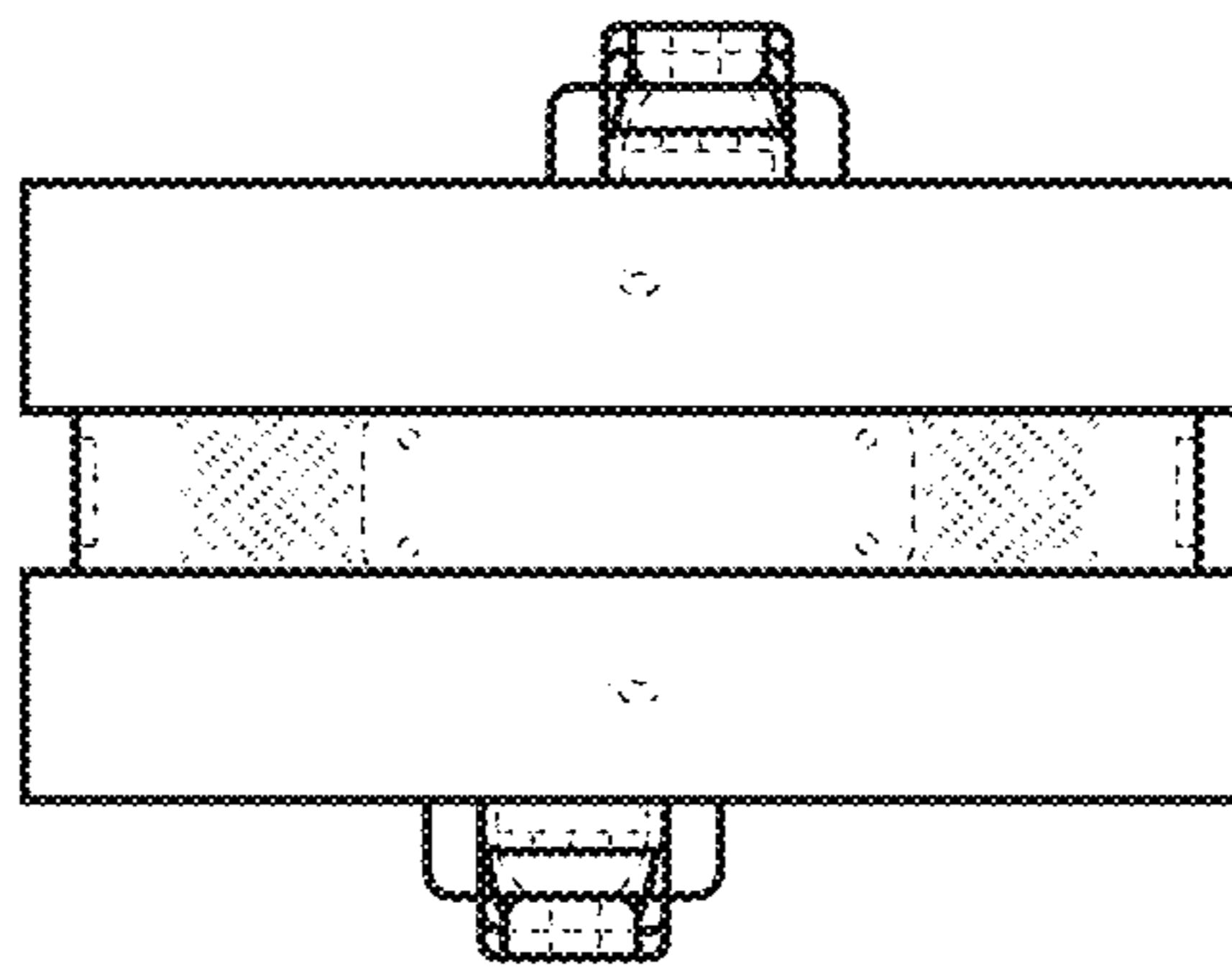


FIG. 5

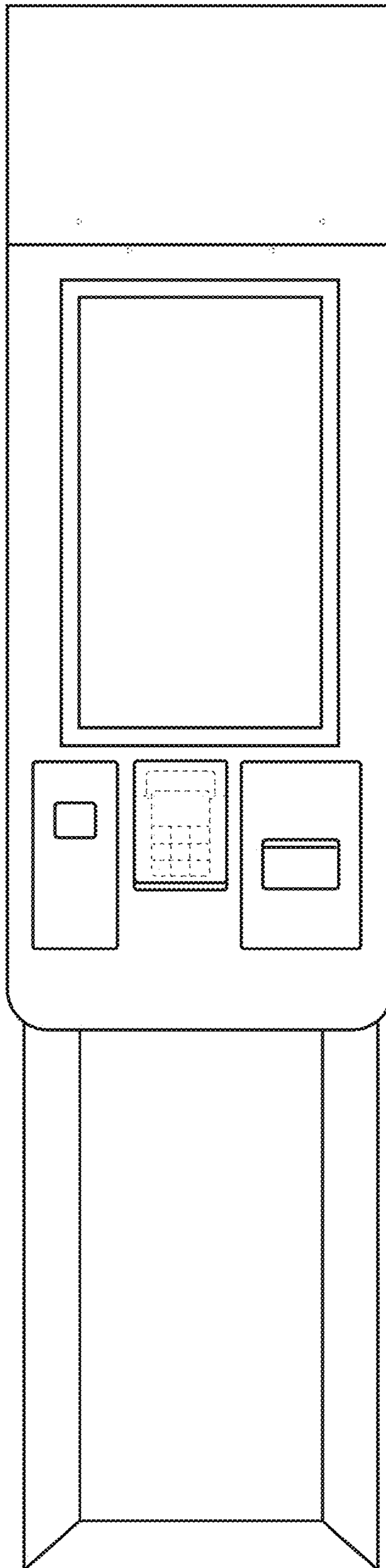


FIG. 6

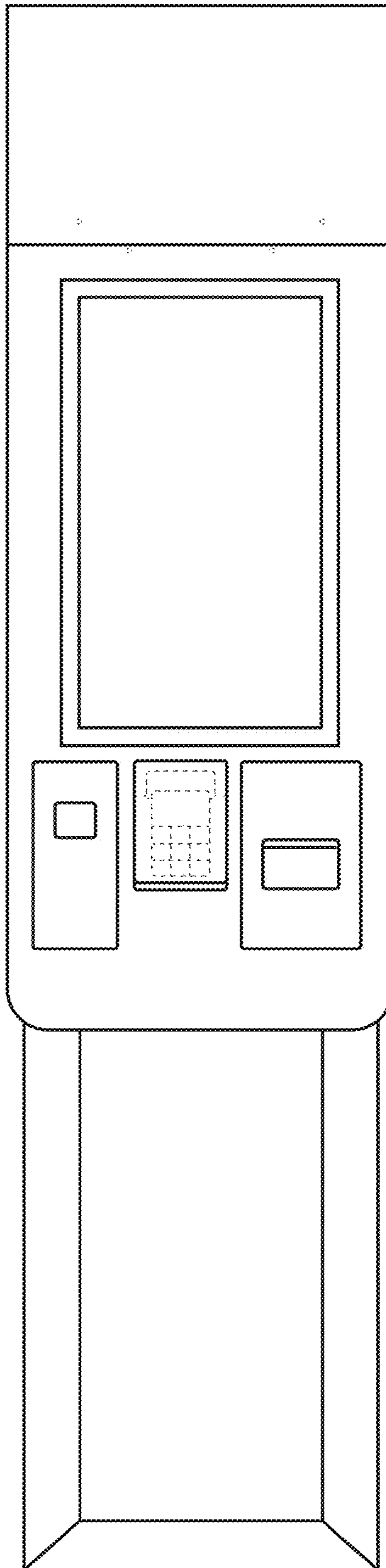


FIG. 7

